



US00D326559S

United States Patent [19]

[11] Patent Number: **Des. 326,559**

Szablak et al.

[45] Date of Patent: **** Jun. 2, 1992**

[54] PORTABLE DOCUMENT FILE

[75] Inventors: **Michael J. Szablak**, Wooster, Ohio;
Glen E. Tomblin, Winchester, Va.

[73] Assignee: **Rubbermaid Incorporated**, Wooster, Ohio

[**] Term: **14 Years**

[21] Appl. No.: **552,212**

[22] Filed: **Jul. 13, 1990**

[52] U.S. Cl. **D3/30.1; D19/75; D19/86; D19/90**

[58] Field of Search **D3/30.1, 35, 78; D7/605; D9/431; D19/65, 75, 78, 86, 90, 91, 99, 100; 211/10, 11; 206/425, 309, 444, 387, 561, 389; 312/183, 184; 220/476, 480**

[56] References Cited

U.S. PATENT DOCUMENTS

D. 221,264	7/1971	Brown .	
D. 249,393	9/1978	Winther	D3/30.1
D. 249,590	9/1978	Berkman .	
D. 249,744	9/1978	Lyman	D19/90 X
D. 252,354	7/1979	Uylda .	
D. 257,528	11/1980	Cherry .	
D. 281,695	12/1985	Ryan, Jr.	D7/605
D. 288,938	3/1987	Klodt .	
D. 302,922	8/1989	Carlson	D7/605
D. 304,461	11/1989	Foran et al. .	
D. 305,179	12/1989	Collister	D3/30.1
D. 310,107	8/1990	Murphy et al. .	
1,392,559	10/1921	De Long	220/476 X
3,874,501	4/1975	Cronheim	211/11 X
4,687,094	8/1987	Allsop et al.	220/480 X

OTHER PUBLICATIONS

Page A10, Esselte Pendaflex Corporation, 91 Clinton Rd., Garden City, NY 11530. Publication date 1986.

Catalog Page, Esselte Pendaflex Corporation, 91 Clinton Rd., Garden City, NY 11530. Publication data unknown.

Catalog Page, Staco Products Co., 2442 Estard Road, Pleasant Hill, CA 94523. Publication date unknown.

Catalog Page, Sterling Plastics, Sheffield St., Mountainside, NJ 07092. Publication date 1985.

Catalog Page, Sterling Plastics, Sheffield St., Mountainside, NJ 07092. Publication date 1985.

Pages 32 and 33, W. T. Rogers Company, 1401 W. Badger Rd., P.O. Box 4327, Madison, WI 53711. Publication data 1985.

Catalog Page, Rubbermaid Incorporated, 1147 Akron Rd., Wooster, OH 44691. Publication date 1987.

Primary Examiner—Donald P. Walsh

Assistant Examiner—Martha Thompson

Attorney, Agent, or Firm—Richard B. O'Planick

[57] CLAIM

The ornamental design for a portable document file, as shown and described.

DESCRIPTION

FIG. 1 is a top, right front perspective view of a portable document file showing our new design;

FIG. 2 is a right side elevational view, the left side being a mirror image thereof;

FIG. 3 is a top plan view;

FIG. 4 is a bottom plan view;

FIG. 5 is a front elevational view; and,

FIG. 6 is a rear elevational view thereof.

The FIG. 1 view has been drawn to a reduced scale with respect to FIGS. 2 through 6.

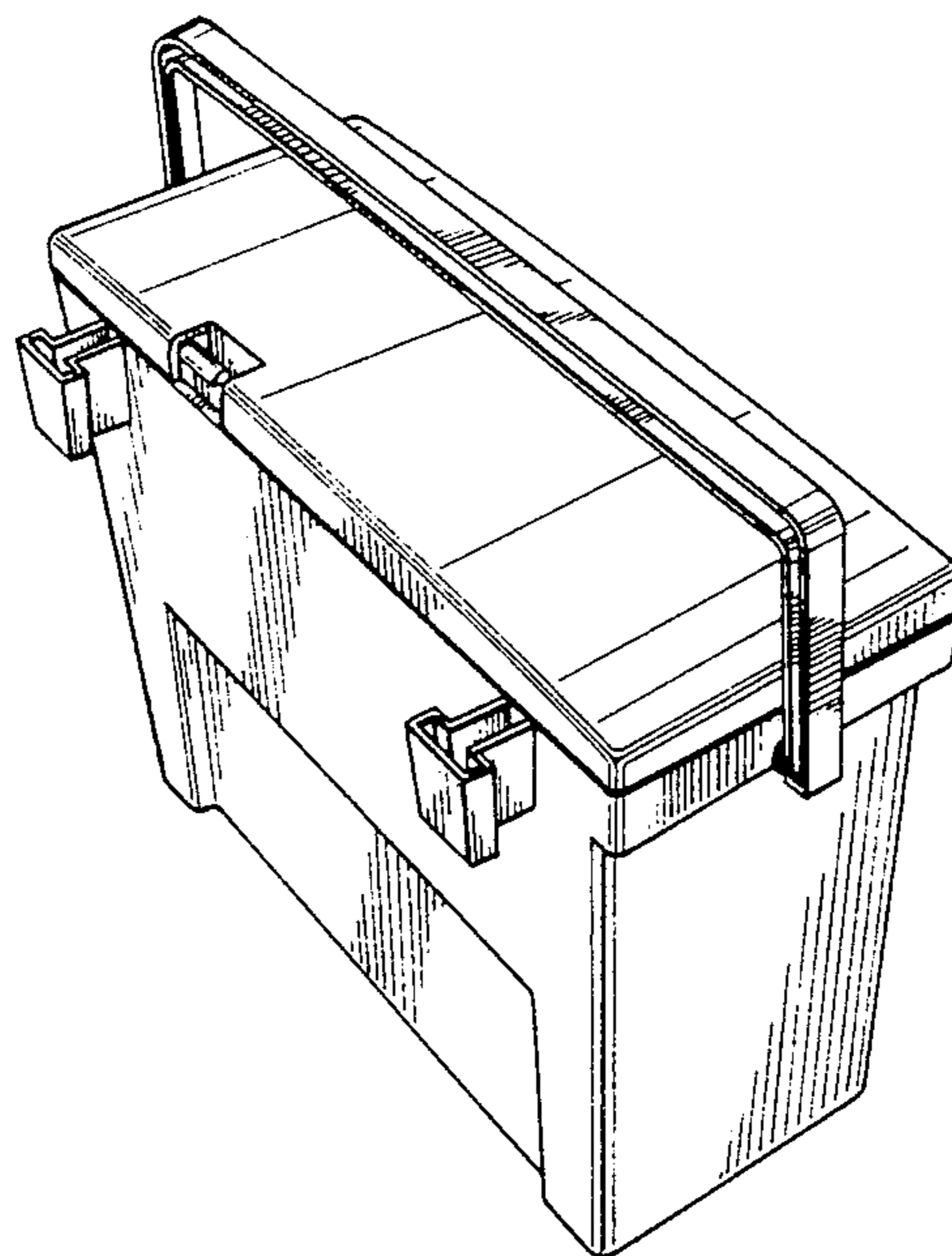


FIG. 1

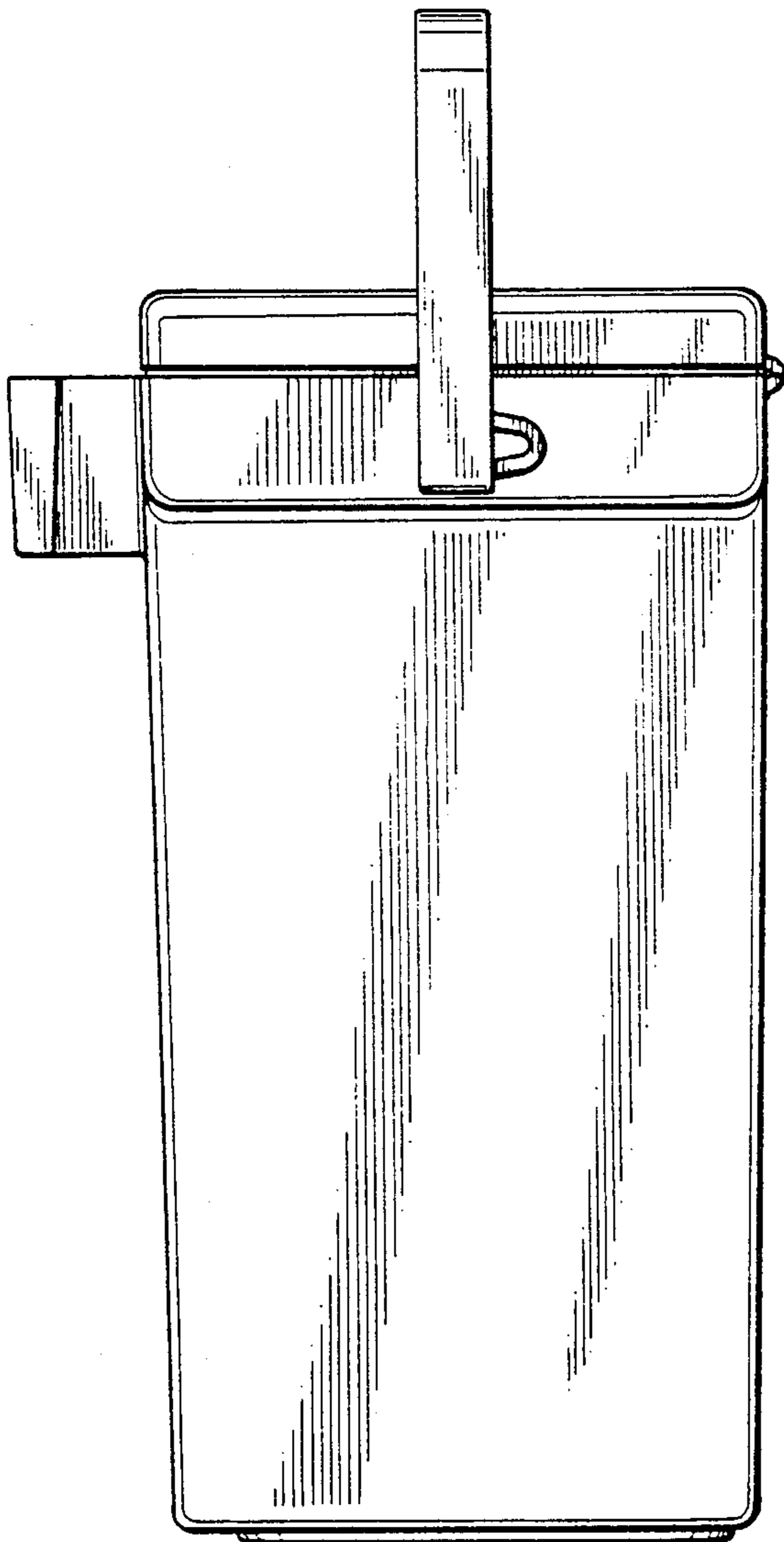
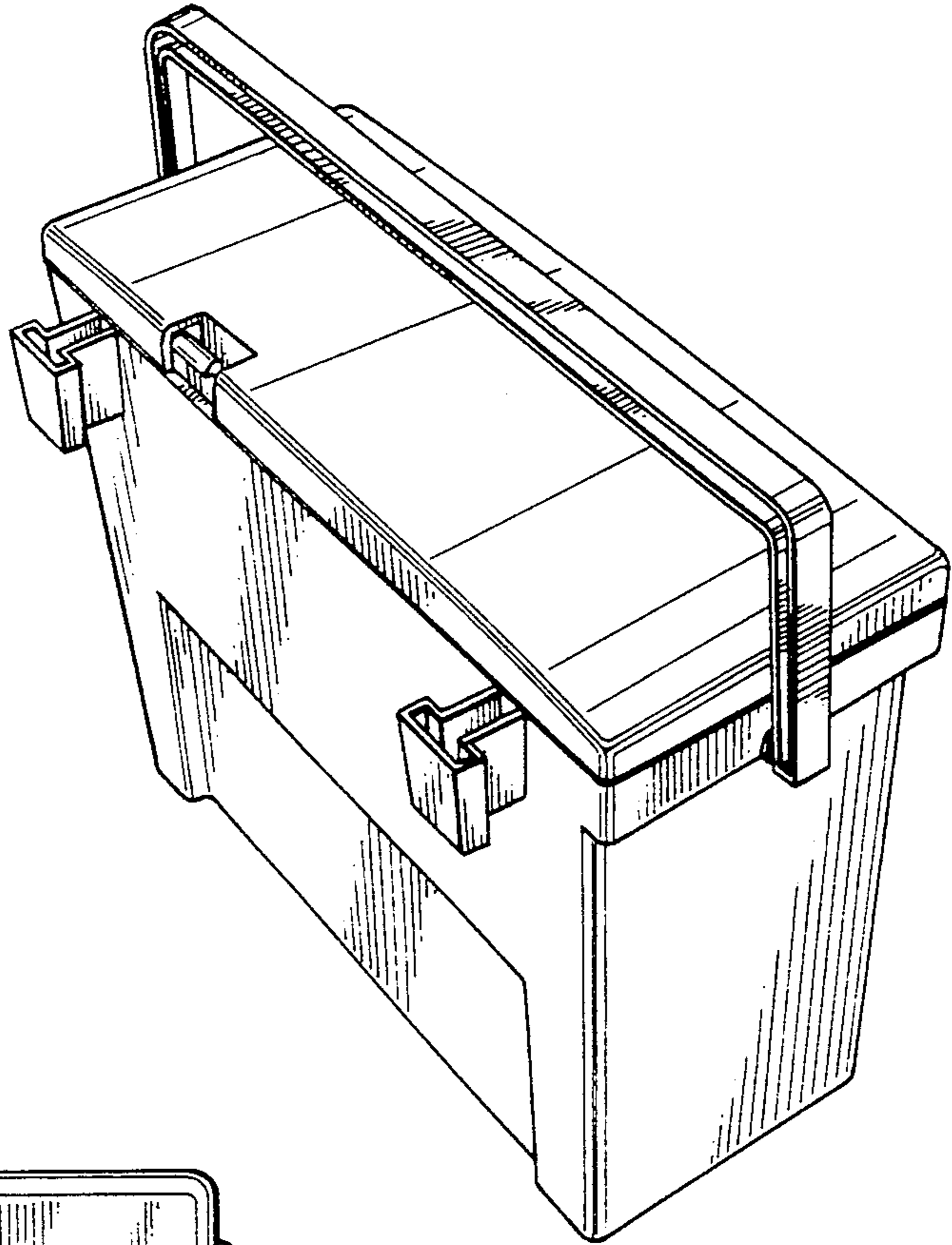


FIG. 2

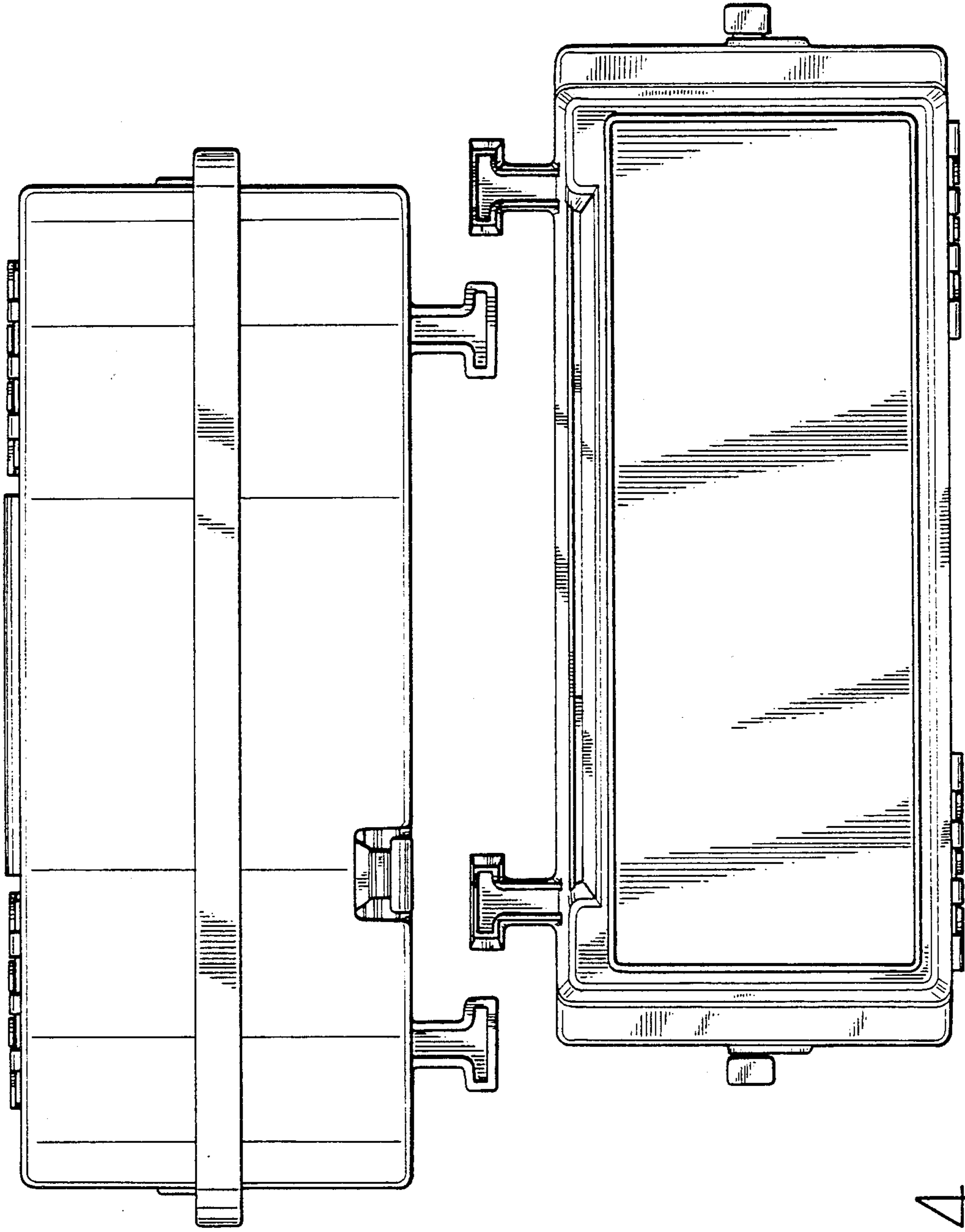


FIG. 3

FIG. 4

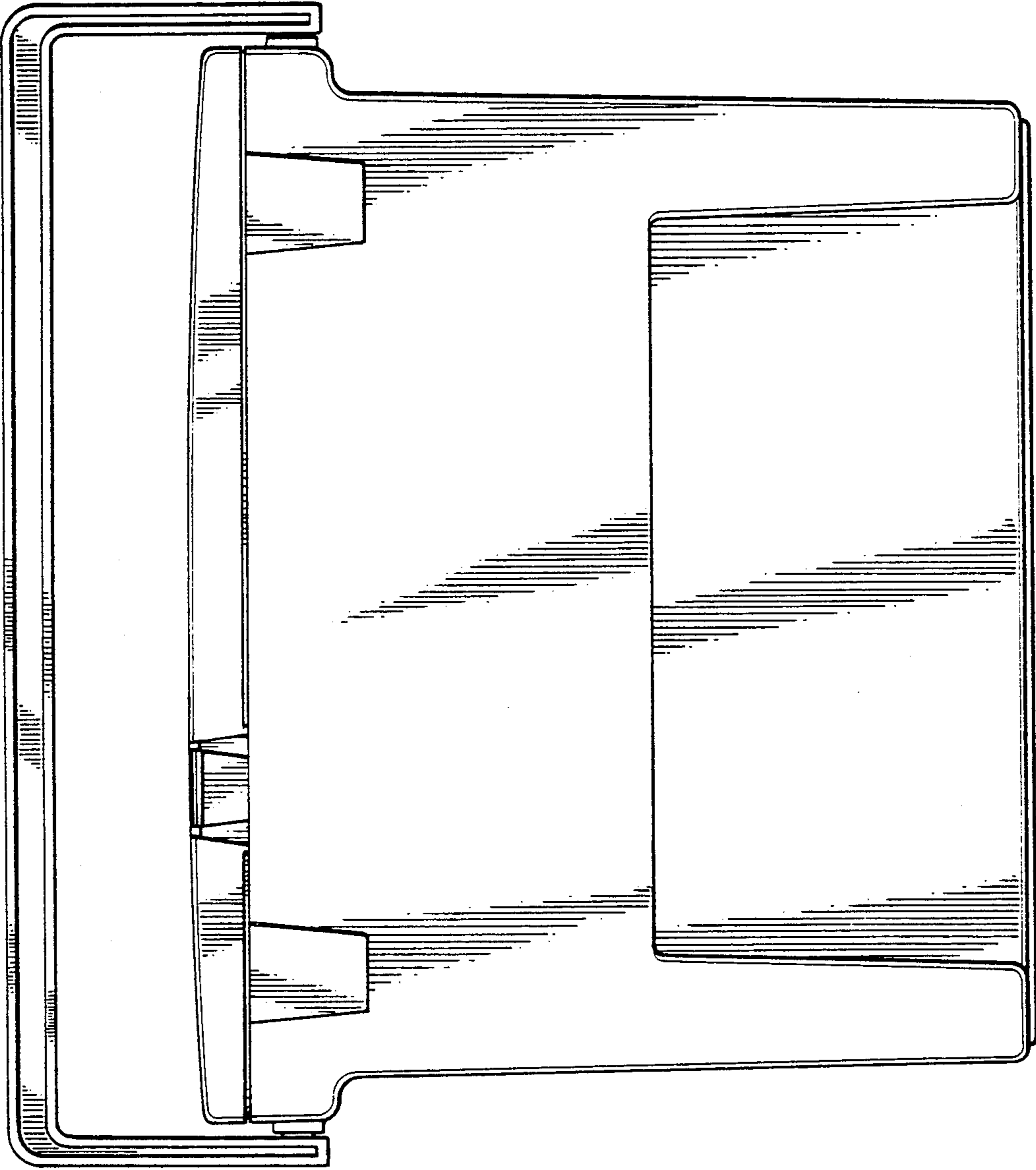


FIG. 5

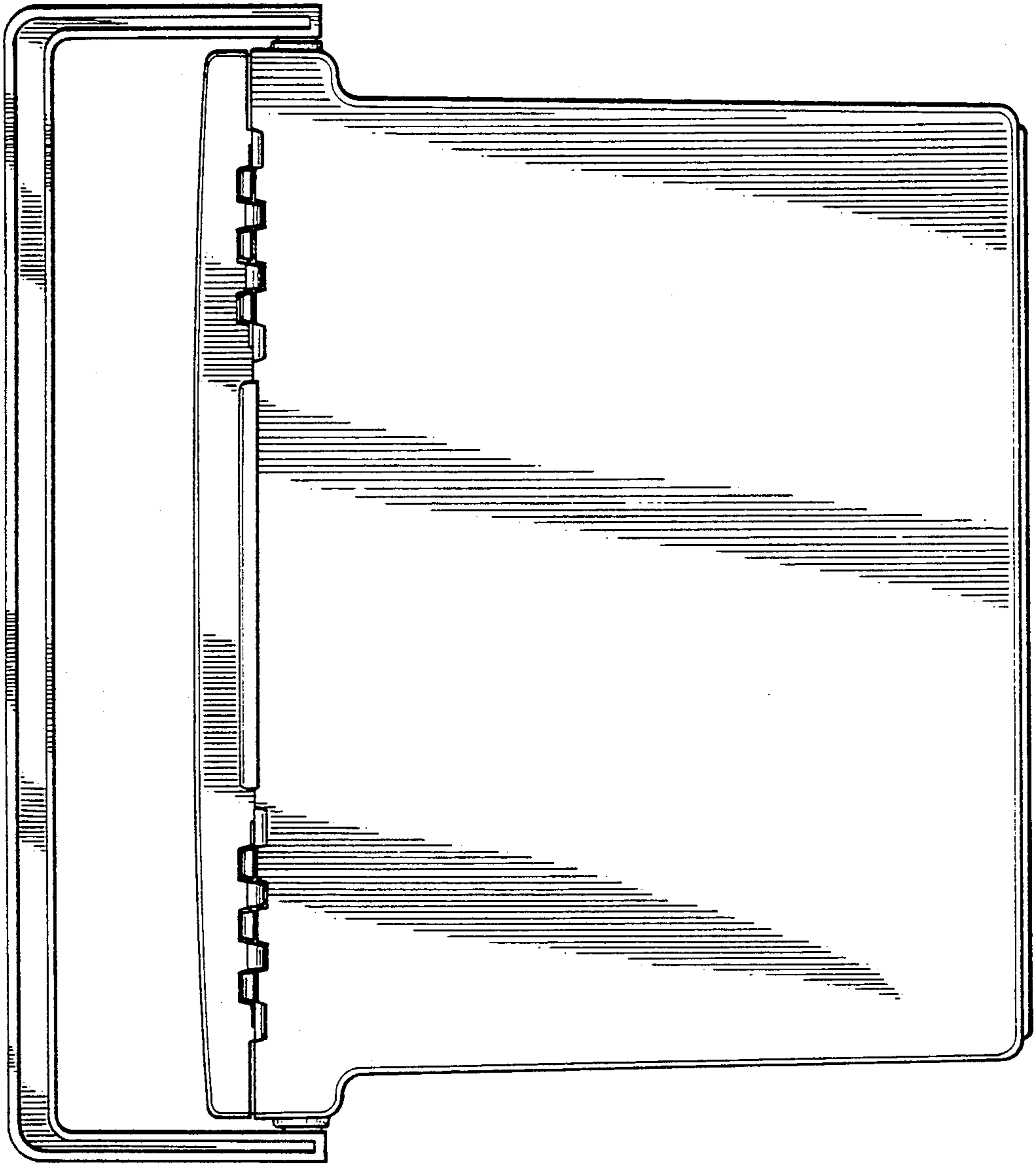


FIG. 6