



US00D326549S

# United States Patent [19]

[11] Patent Number: **Des. 326,549**

Whitehead et al.

[45] Date of Patent: **\*\* May 26, 1992**

## [54] HOSE CART

[75] Inventors: **Stephen P. Whitehead; Joseph J. Sanchez**, both of Elgin, Ill.

[73] Assignee: **Suncast Corporation**, Batavia, Ill.

[\*\*] Term: **14 Years**

[21] Appl. No.: **564,002**

[22] Filed: **Aug. 7, 1990**

[52] U.S. Cl. .... **D34/26**

[58] Field of Search ..... **D8/359; D34/26; 137/355.16, 355.27, 355.19; 294/54.5; 242/86.2, 86, 86.5 R, 86.56; 301/63 PW**

## [56] References Cited

### U.S. PATENT DOCUMENTS

Re. 32,510	9/1987	Tisbo et al. ....	137/355.27
D. 294,456	3/1988	Nelson .....	D8/359
D. 303,446	9/1989	Kitts et al. ....	D34/26
4,768,546	9/1988	Brusadin et al. ....	D34/26 X
4,974,627	12/1990	Nelson .....	242/86.2
5,007,598	4/1991	Spear et al. ....	242/86 X

## OTHER PUBLICATIONS

Clapper's Garden Catalog, Spring 1989, p. 33, Garden Hose Caddy, item B at right of page.

Ames Brochure "A Tidy Way to Reel in Profits". 1988 Suncast Catalog, pp. 3-5.

*Primary Examiner*—Susan J. Lucas

*Assistant Examiner*—H. Bayham

*Attorney, Agent, or Firm*—Fitch, Even, Tabin & Flannery

## [57] CLAIM

The ornamental design for a hose cart, as shown and described.

## DESCRIPTION

FIG. 1 is a perspective view of a hose cart showing my new design;

FIG. 2 is a right side elevational view thereof;

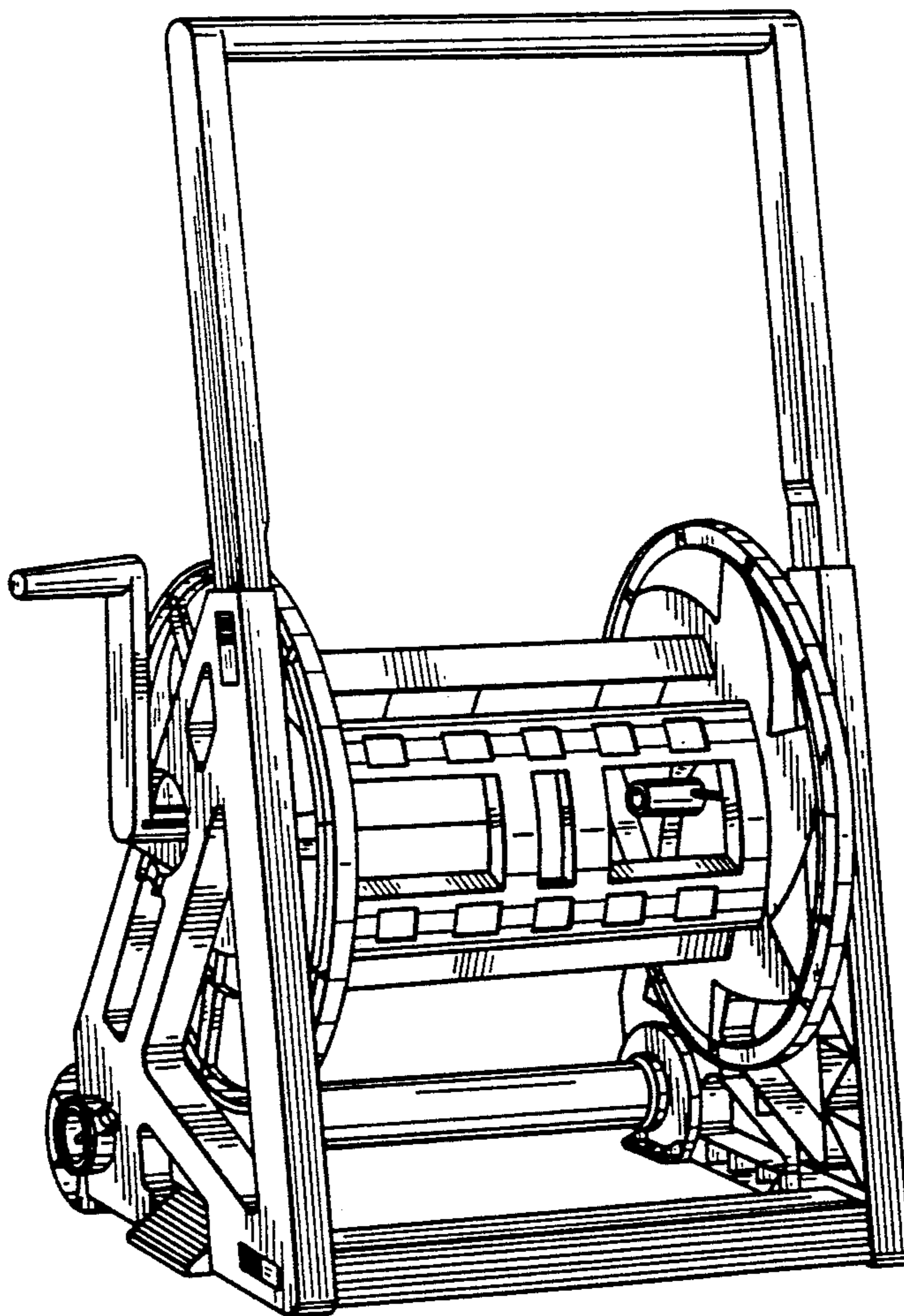
FIG. 3 is a left side elevational view thereof;

FIG. 4 is a front elevational view thereof;

FIG. 5 is a rear elevational view thereof;

FIG. 6 is a top plan view thereof; and,

FIG. 7 is a bottom plan view thereof.



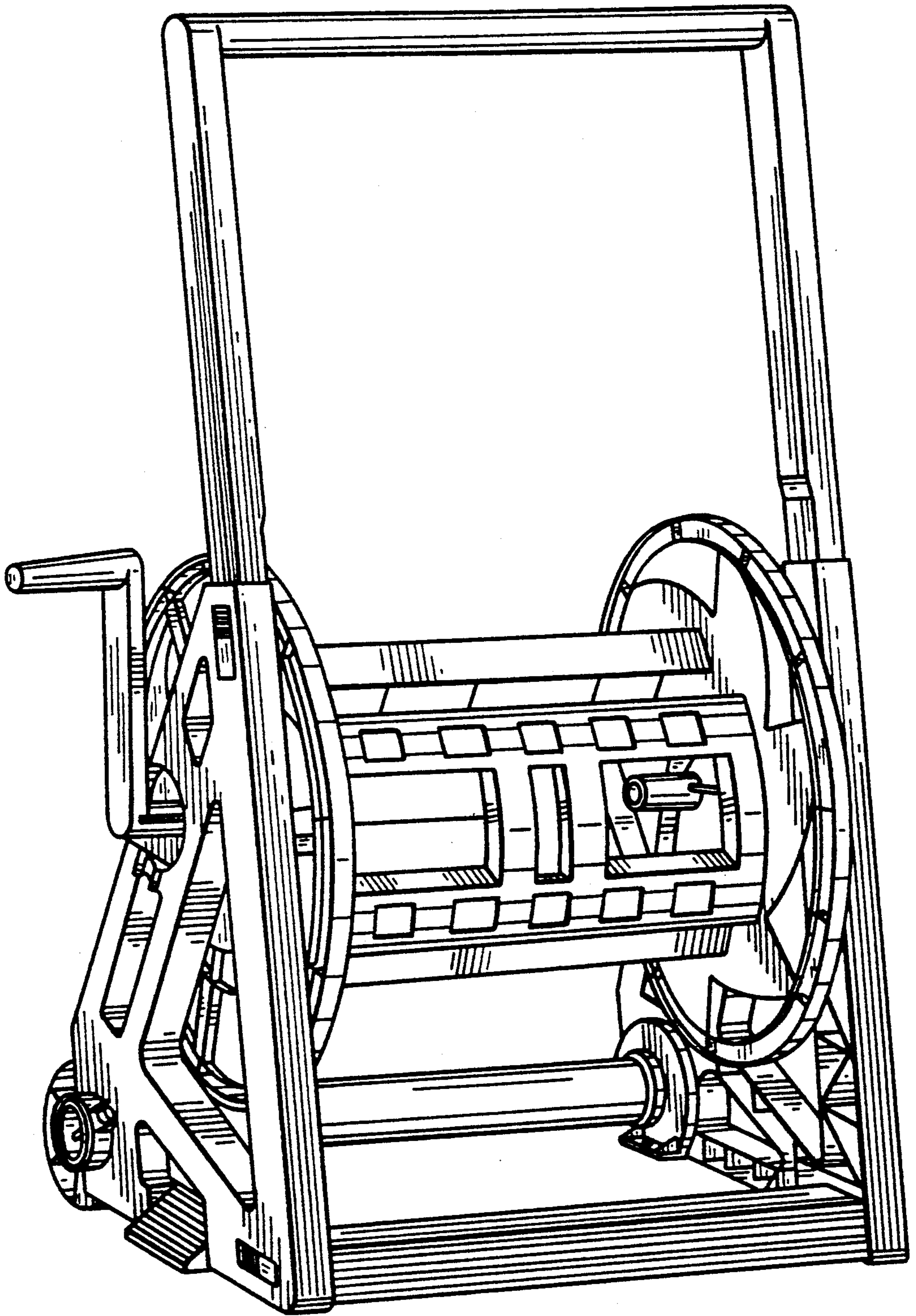


FIG. 1

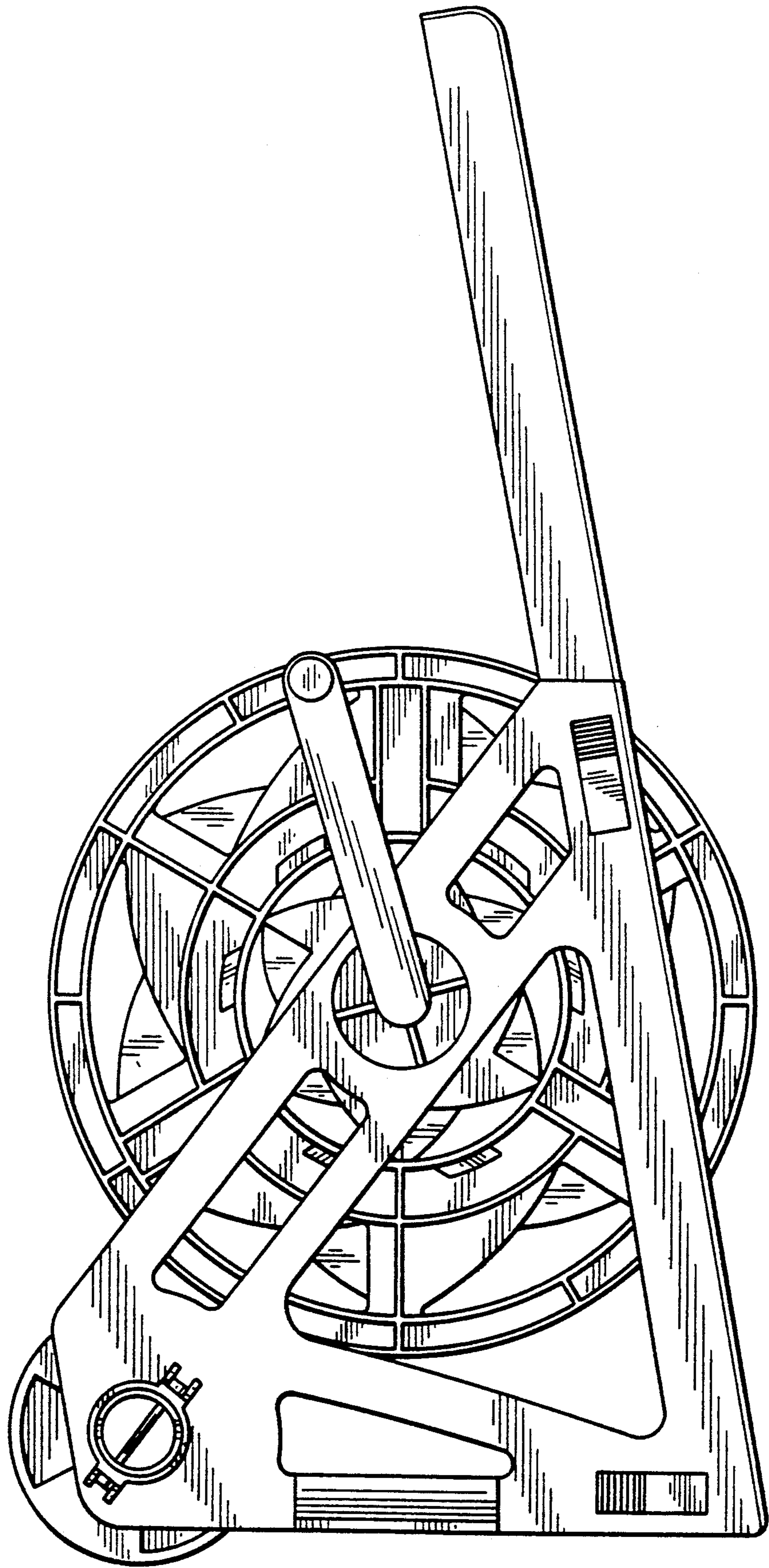


FIG. 2

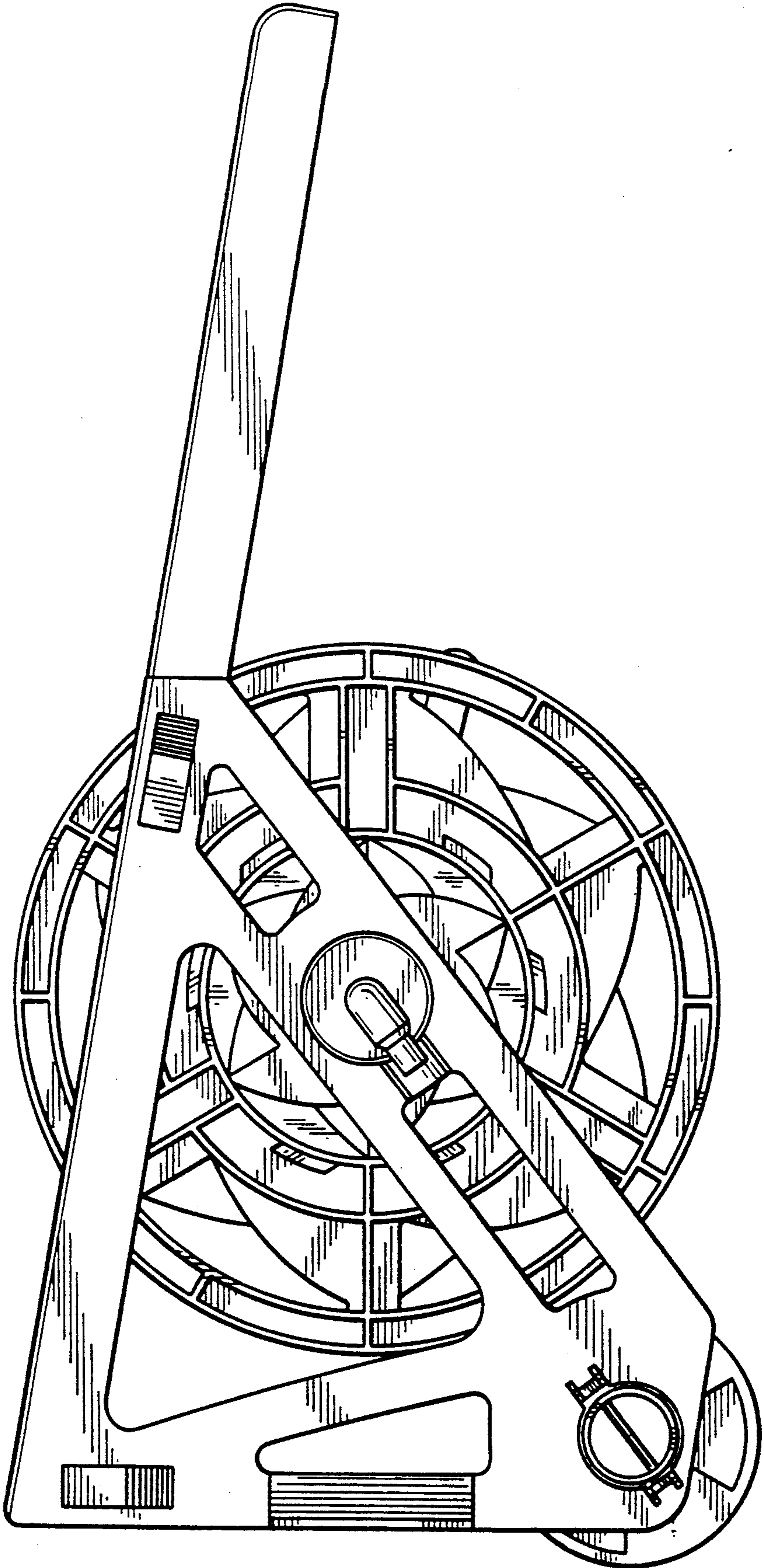


FIG. 3

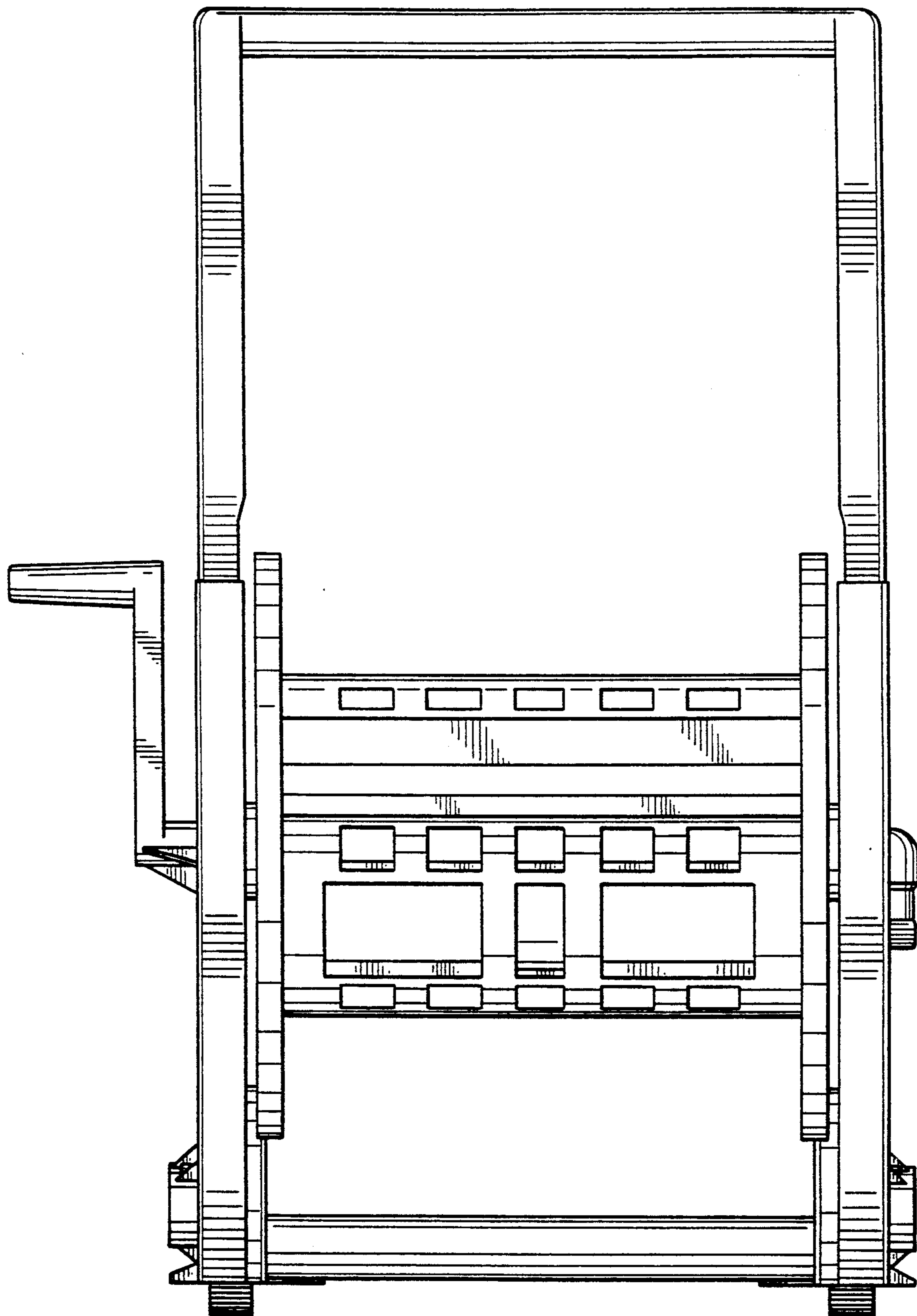


FIG. 4

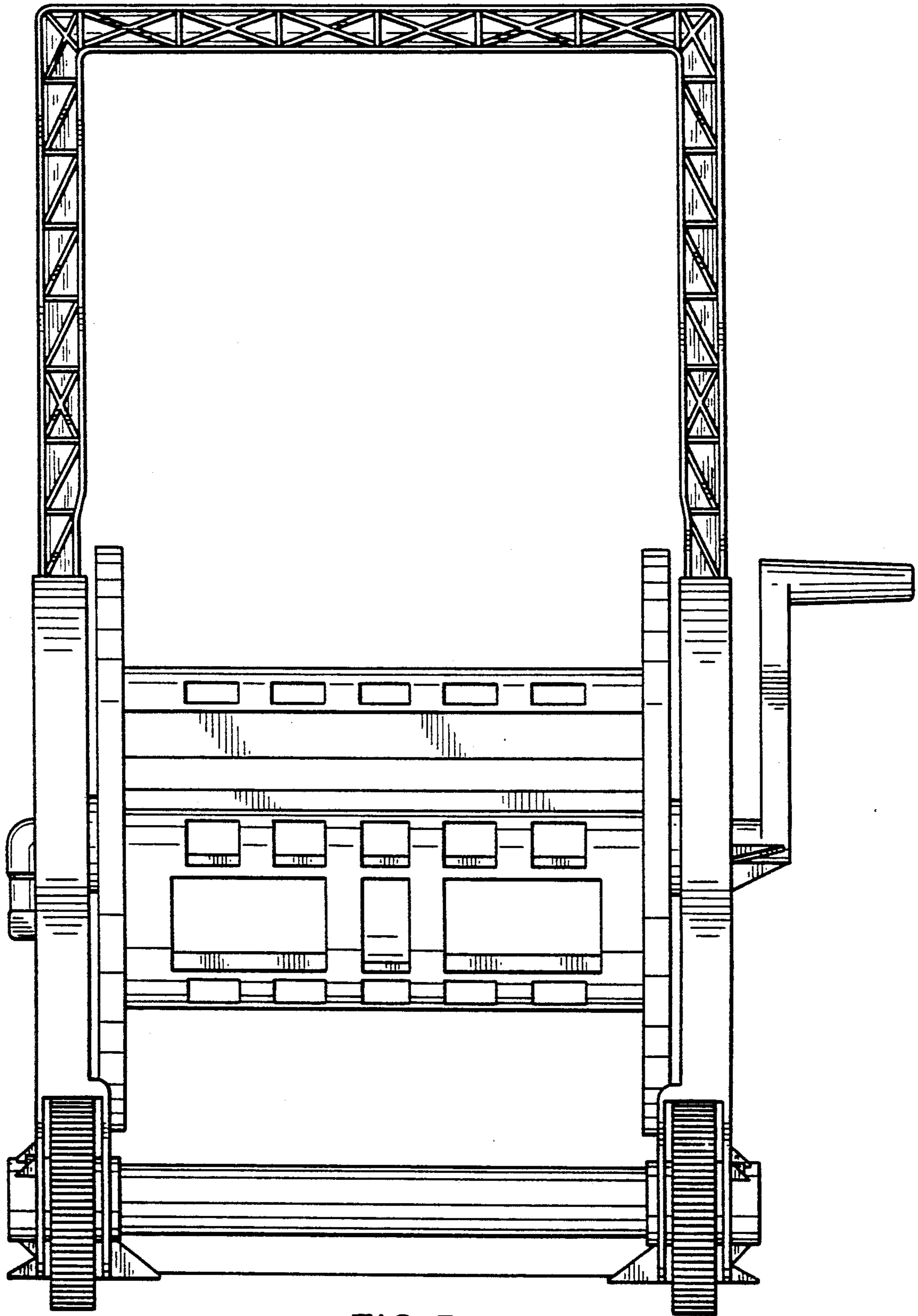


FIG. 5

