



US00D326545S

United States Patent [19]

[11] Patent Number: **Des. 326,545**

Gurstein et al.

[45] Date of Patent: **** May 26, 1992**

[54] **EXTERNAL HEAT EXCHANGER FOR UPHOLSTERY AND CARPET CLEANING EQUIPMENT**

3,188,503	6/1965	Hendry	307/141
4,724,824	2/1988	McCoy et al.	392/396
4,764,660	8/1988	Swiatosz	392/397

[75] Inventors: **Bernard Gurstein; Russell Gurstein,** both of Agoura Hills, Calif.

Primary Examiner—James R. Largen
Assistant Examiner—Paula Allen Mortimer
Attorney, Agent, or Firm—Browdy and Neimark

[73] Assignee: **U. S. Products, Inc.,** Hayden, Ind.

[57] **CLAIM**

[**] Term: **14 Years**

The ornamental design for a external heat exchanger for upholstery and carpet cleaning equipment, as shown and described.

[21] Appl. No.: **304,254**

[22] Filed: **Jan. 31, 1989**

[52] U.S. Cl. **D32/28**

[58] Field of Search **D32/28; 307/141, 141.8, 307/141.4; 392/396, 397, 398, 399, 400; 134/184; D13/184; D23/314, 323, 332, 335, 330**

DESCRIPTION

FIG. 1 is a front perspective view of an external heat exchanger showing our new design; FIG. 2 is a front elevational view thereof; FIG. 3 is a top plan view thereof; FIG. 4 is a rear elevational view thereof; FIG. 5 is a right side elevational view thereof; FIG. 6 is a left side elevational view thereof; and, FIG. 7 is a bottom plan view thereof.

[56] **References Cited**

U.S. PATENT DOCUMENTS

D. 241,266	8/1976	Dillon	D32/28
D. 311,723	10/1990	Eggleston et al.	D13/184 X
2,585,132	2/1952	Kazmadge	392/396 X

The broken line showing of the hoses is for illustrative purposes only and forms no part of the claimed design.

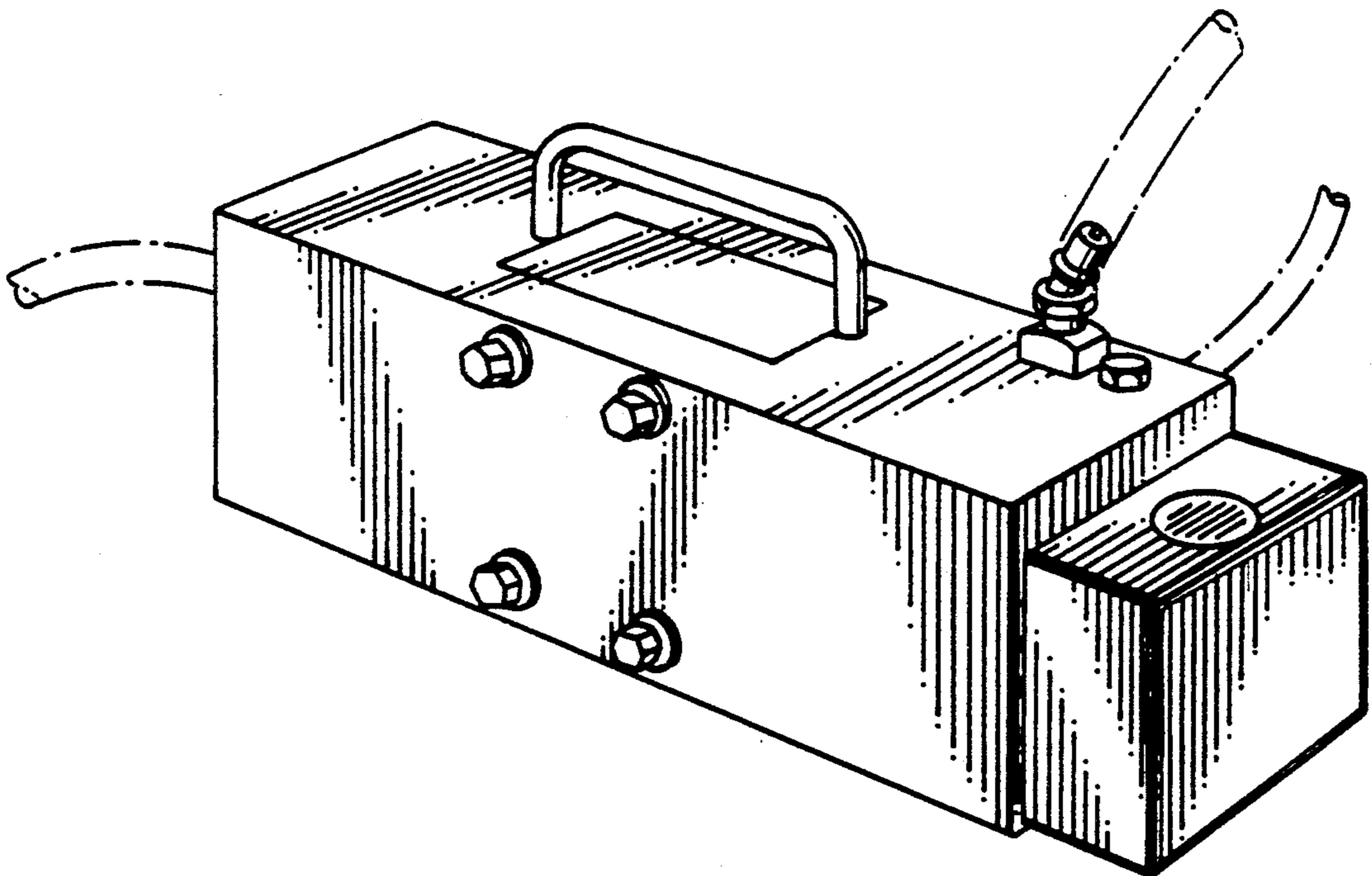


FIG. 1.

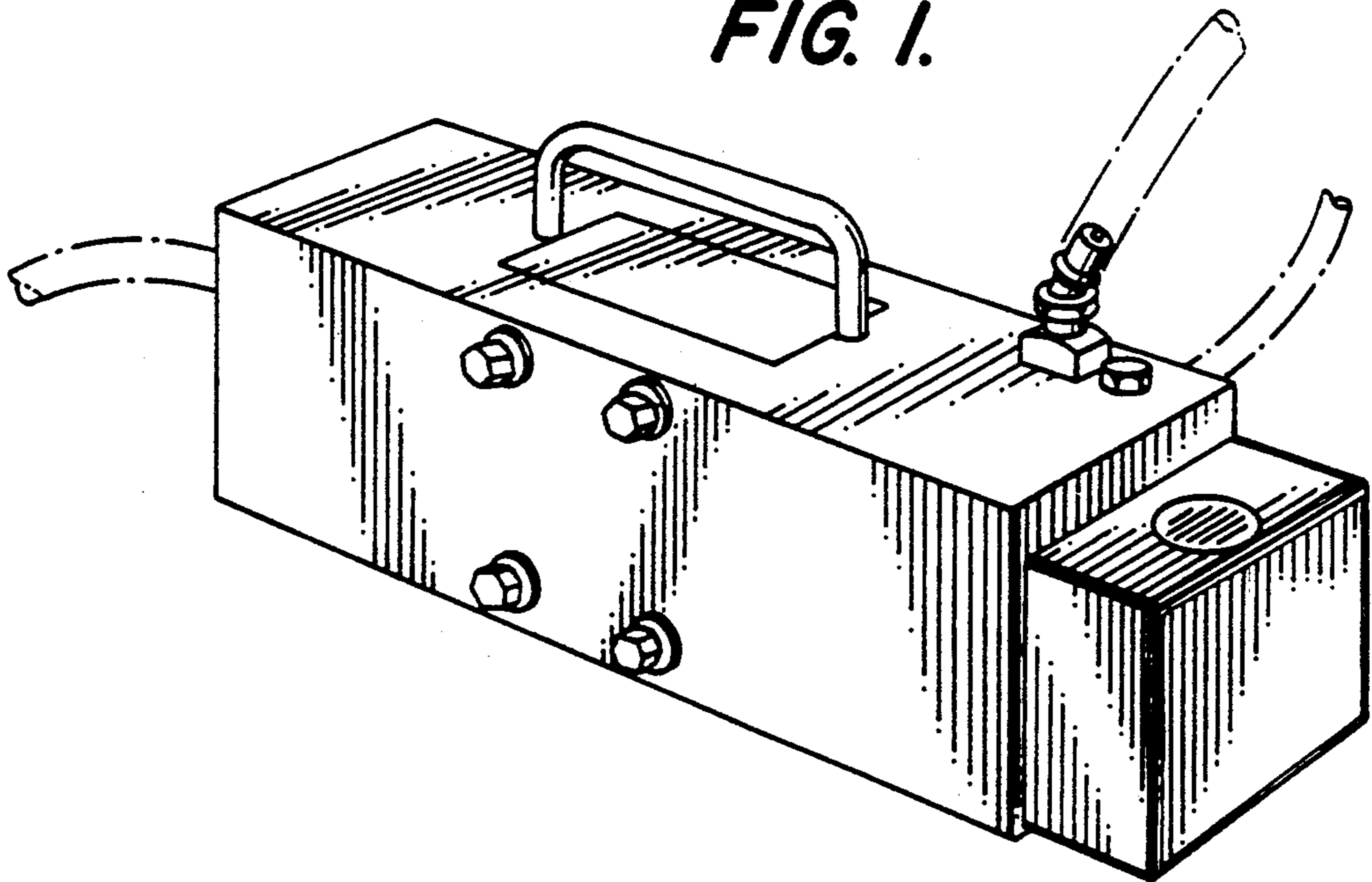


FIG. 2.

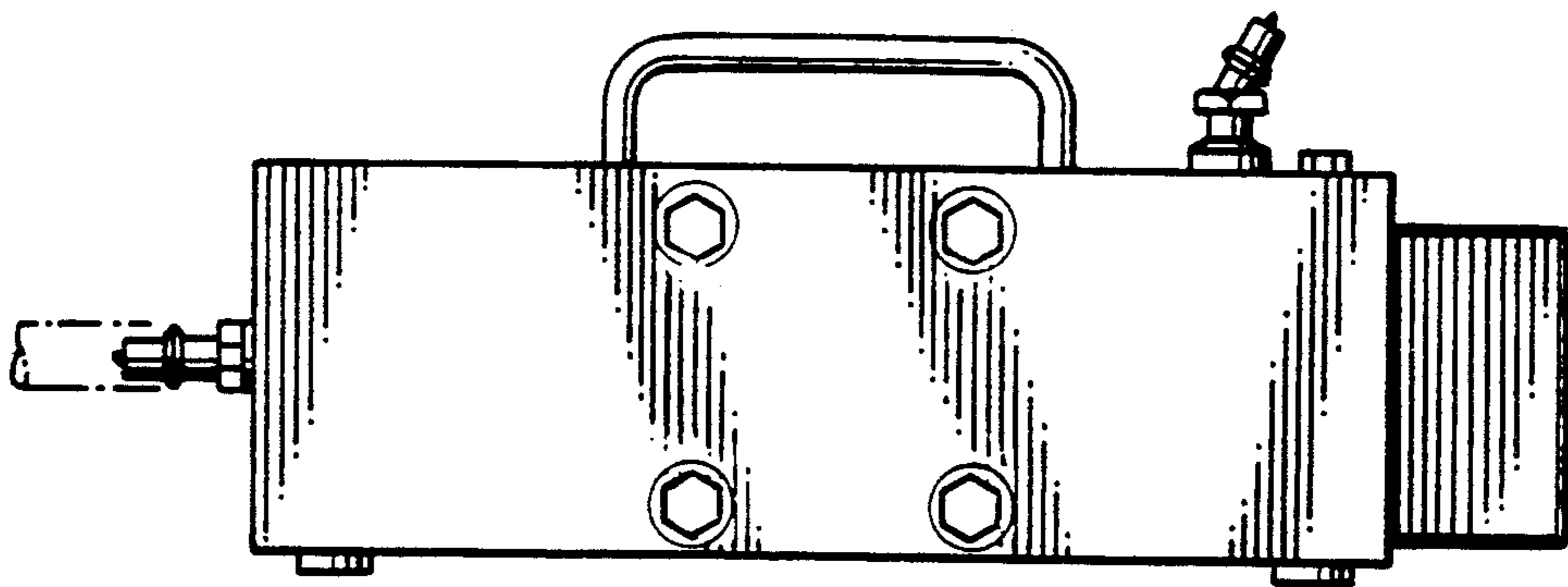


FIG. 3.

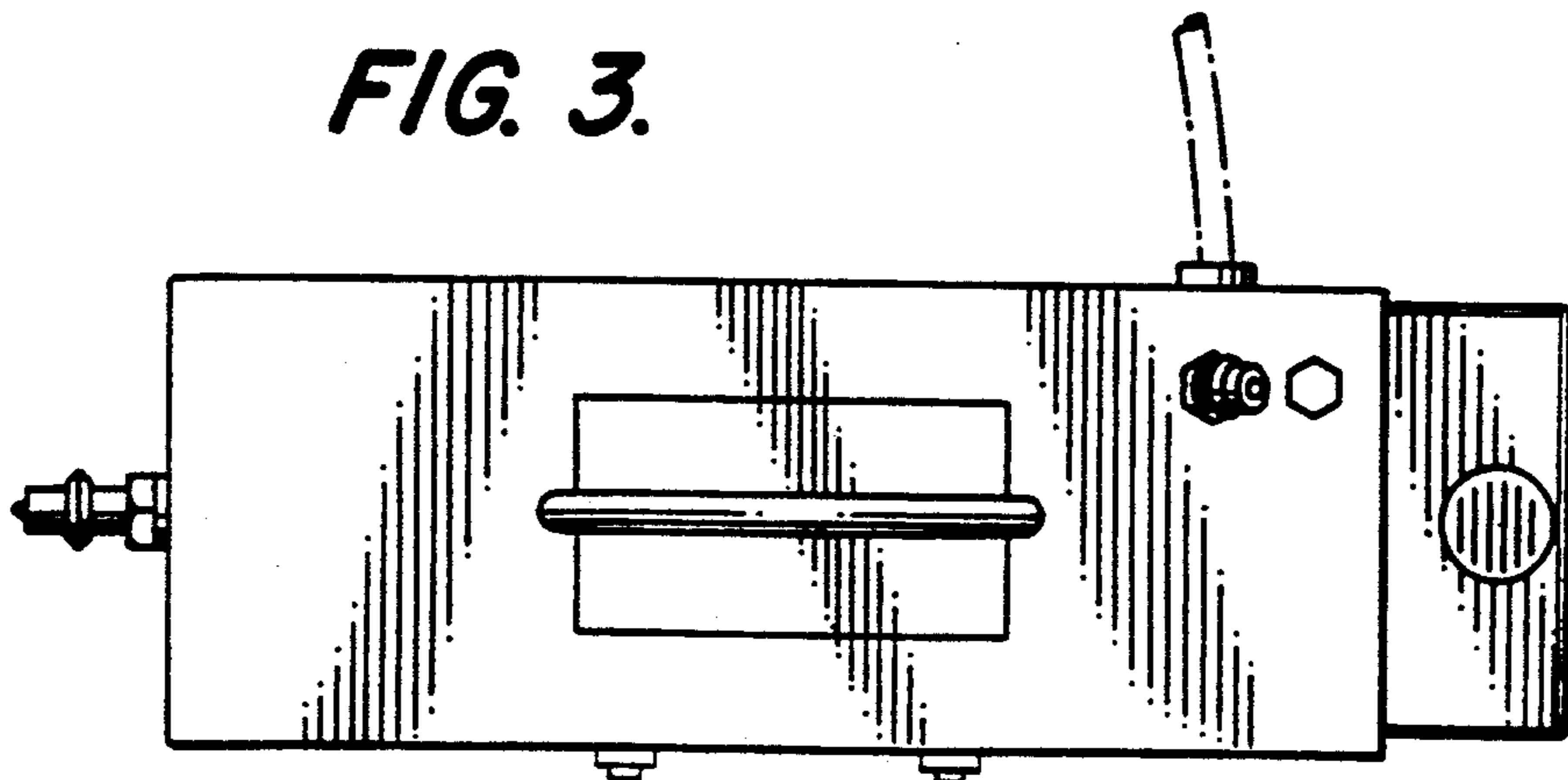


FIG. 4.

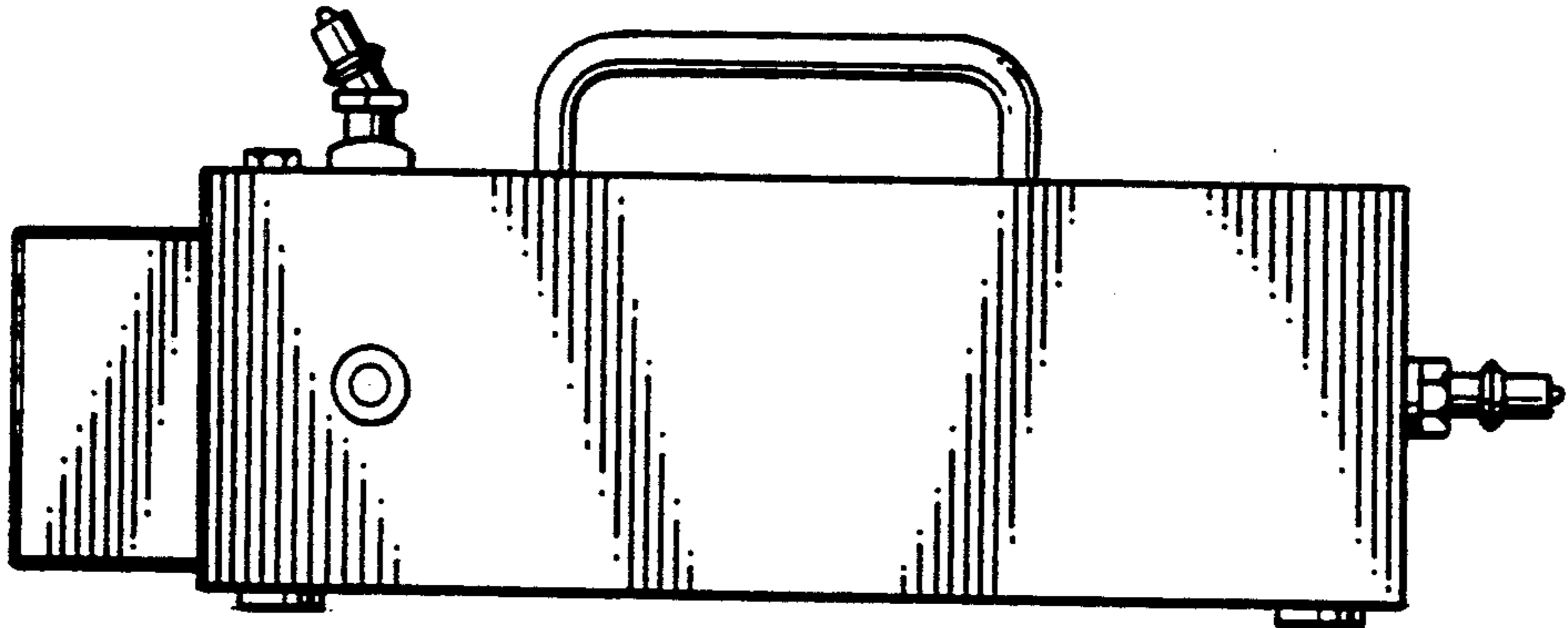


FIG. 5.

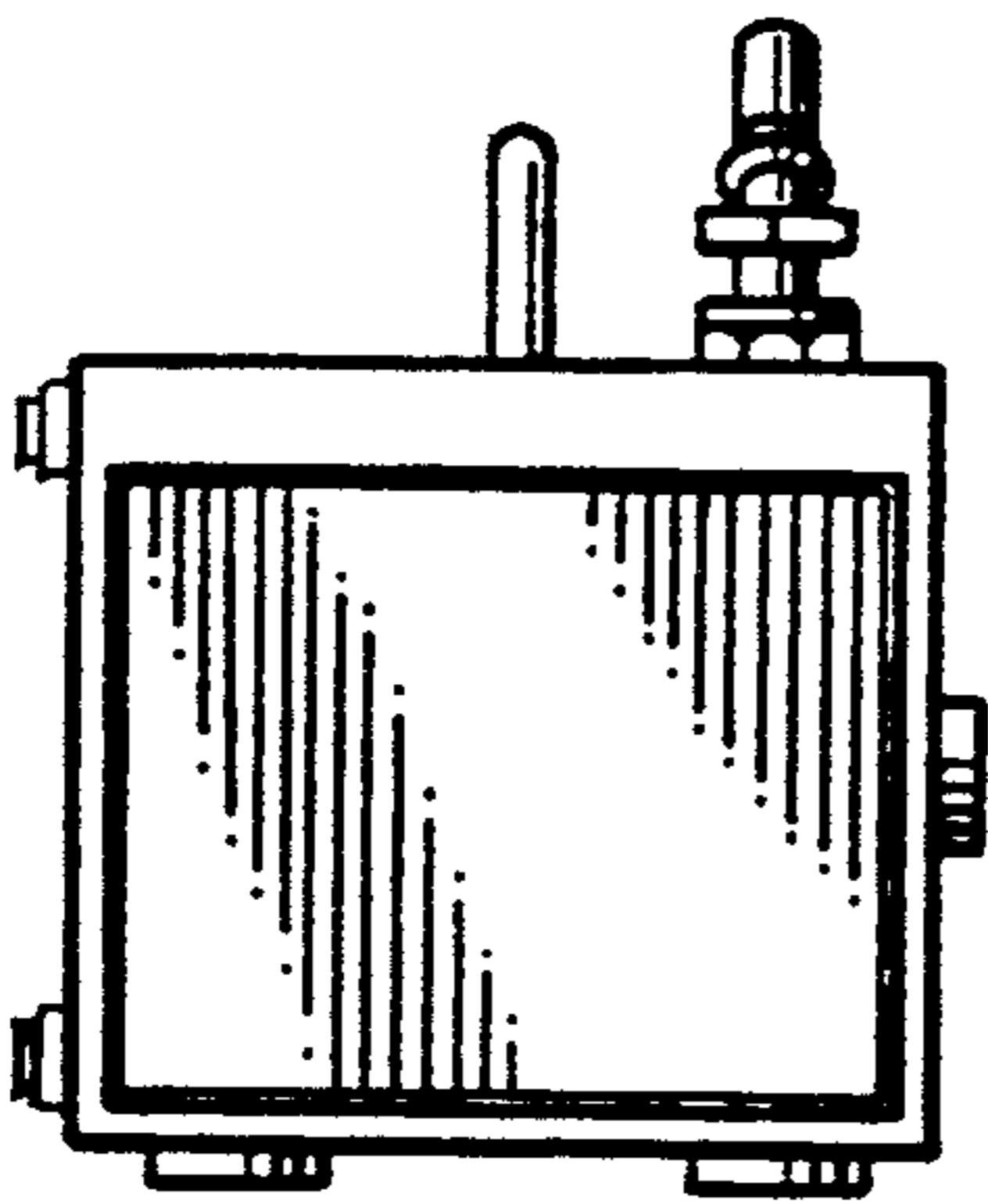


FIG. 6.

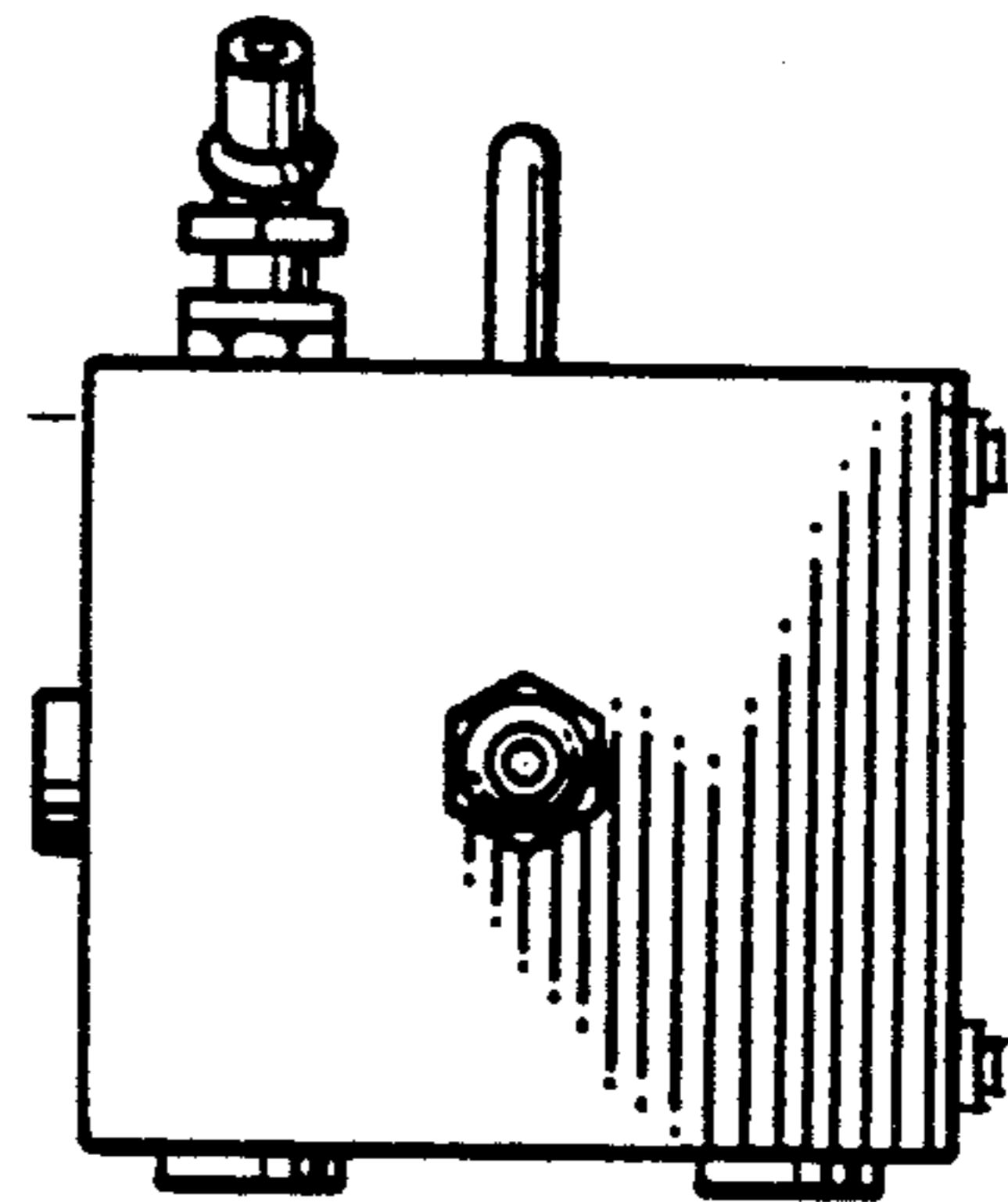


FIG. 7.

