



US00D326544S

United States Patent [19]

Yamamoto

[11] Patent Number: Des. 326,544

[45] Date of Patent: ** May 26, 1992

[54] DUST COLLECTOR

[75] Inventor: Etsusi Yamamoto, Hiroshima, Japan

[73] Assignee: Ryobi Ltd., Hiroshima, Japan

[**] Term: 14 Years

[21] Appl. No.: 669,244

[22] Filed: Mar. 14, 1991

[30] Foreign Application Priority Data

Sep. 19, 1990 [JP] Japan 2-31604

[52] U.S. Cl. D32/21

[58] Field of Search D32/1, 15, 17-18, D32/21, 23-24; 15/300.1, 321, 327.1, 327.2, 327.6, 330, 345, 412, 344, 347

[56] References Cited

U.S. PATENT DOCUMENTS

- D. 271,715 12/1983 Kiyooka D32/15
- D. 285,848 9/1986 Iida et al. D32/15
- D. 299,570 1/1989 Kiyooka et al. D32/15
- D. 304,510 11/1989 Baker et al. D32/15
- D. 307,655 5/1990 Hinklin et al. D32/15

D. 310,437 9/1990 Gerke et al. D32/15

FOREIGN PATENT DOCUMENTS

- 679147 2/1986 Japan .
- 679166 2/1986 Japan .

Primary Examiner—A. Hugo Word
Assistant Examiner—Ruth McInroy
Attorney, Agent, or Firm—Sughrue, Mion, Zinn, Macpeak & Seas

[57] CLAIM

The ornamental design for a dust collector, as shown.

DESCRIPTION

FIG. 1 is a front, top and right side perspective view of a dust collector showing my new design;
FIG. 2 is a rear, top and left side perspective view thereof;
FIG. 3 is a front elevational view thereof;
FIG. 4 is a rear elevational view thereof;
FIG. 5 is a left side elevational view thereof;
FIG. 6 is a right side elevational view thereof;
FIG. 7 is a top plan view thereof; and,
FIG. 8 is a bottom plan view thereof.

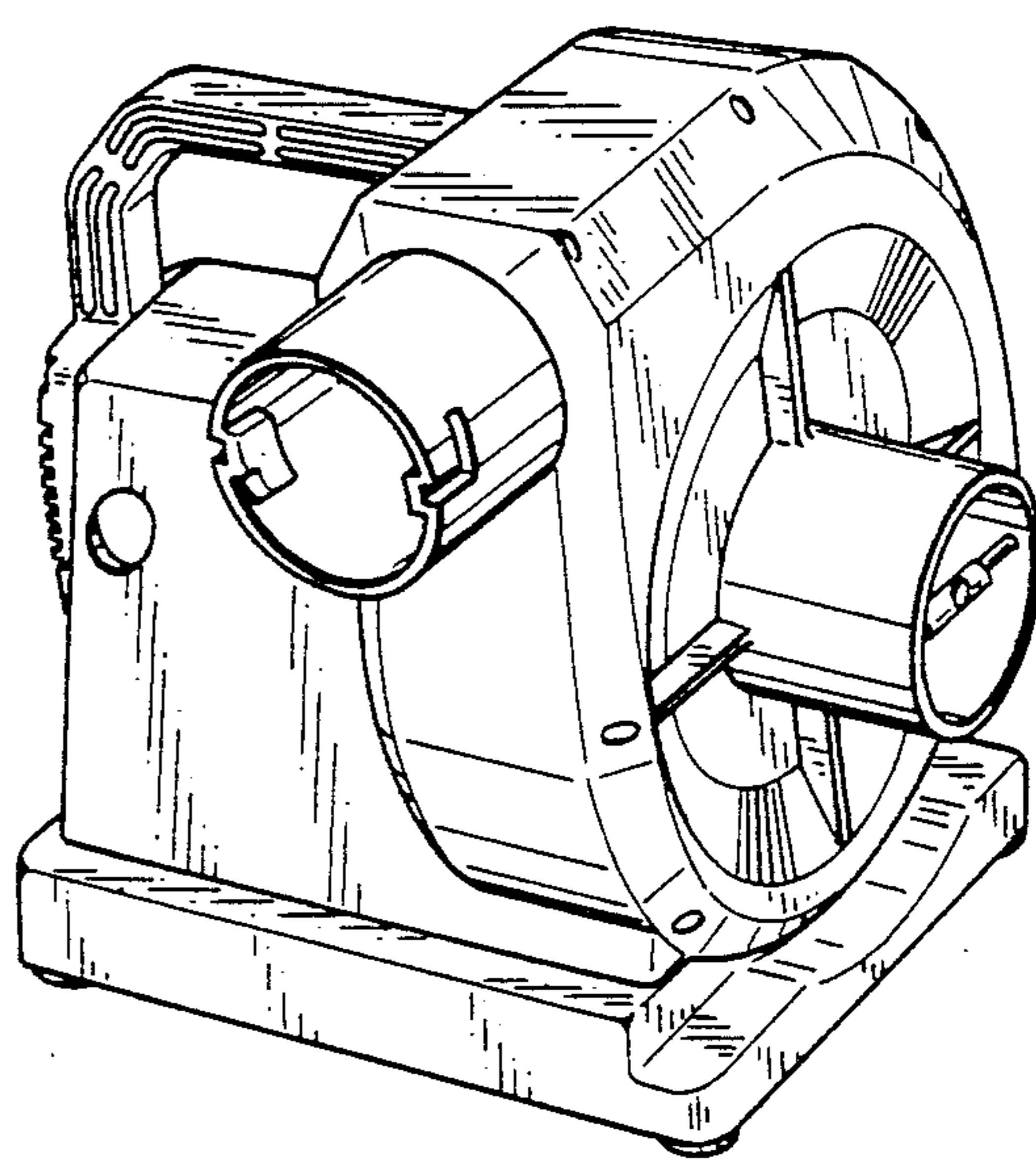
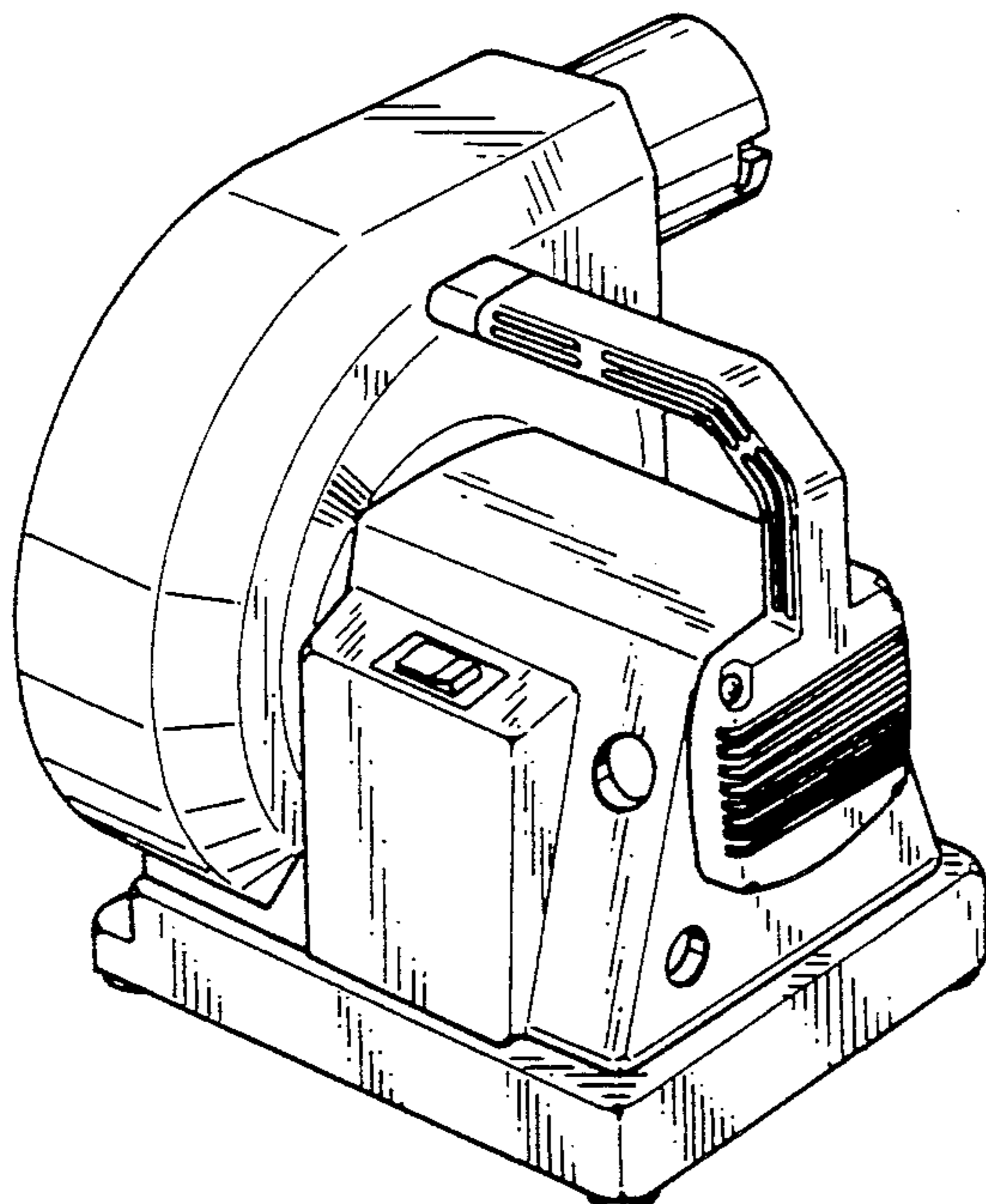


Fig. 1

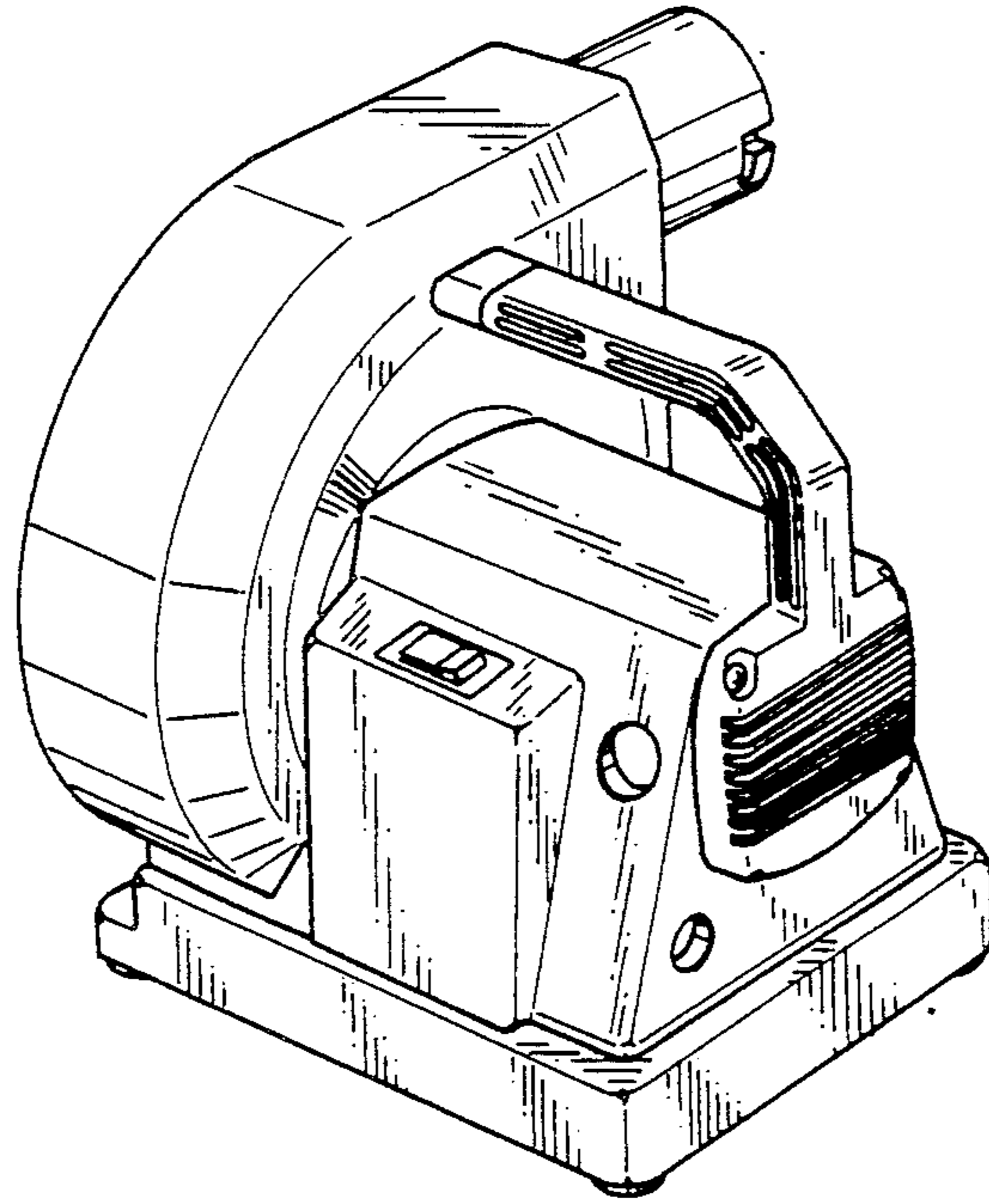


Fig. 2

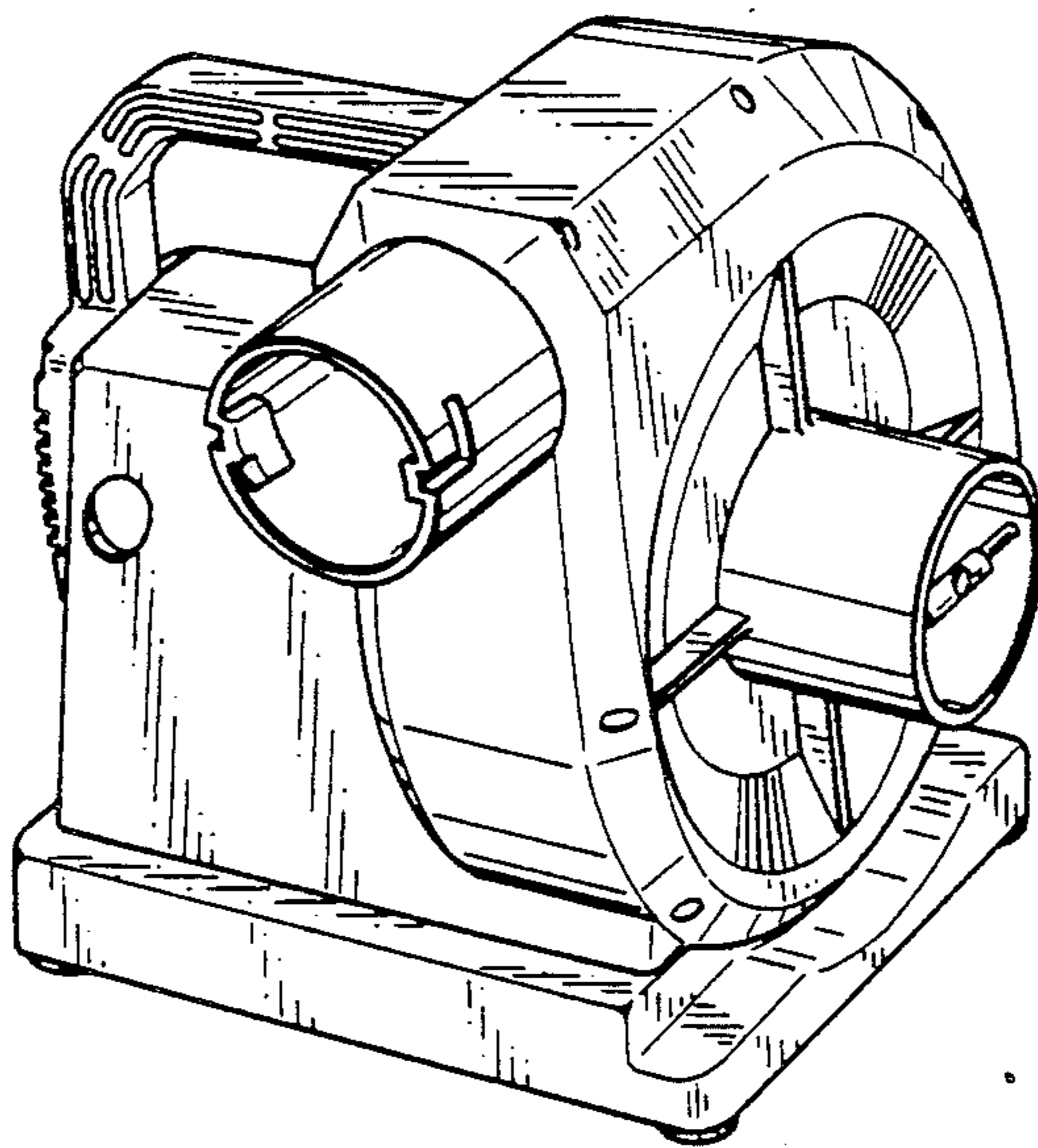


Fig. 3

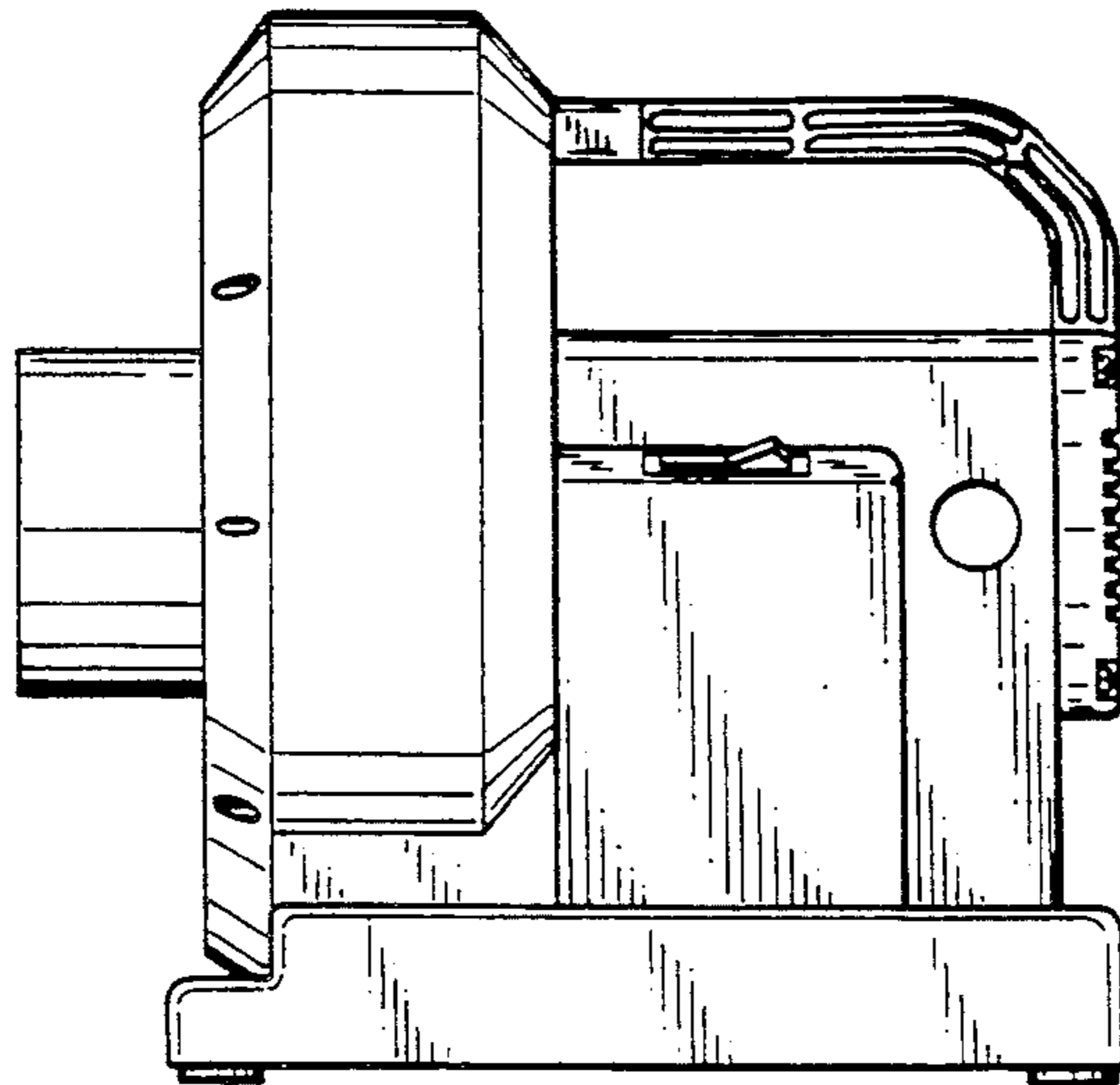


Fig. 4

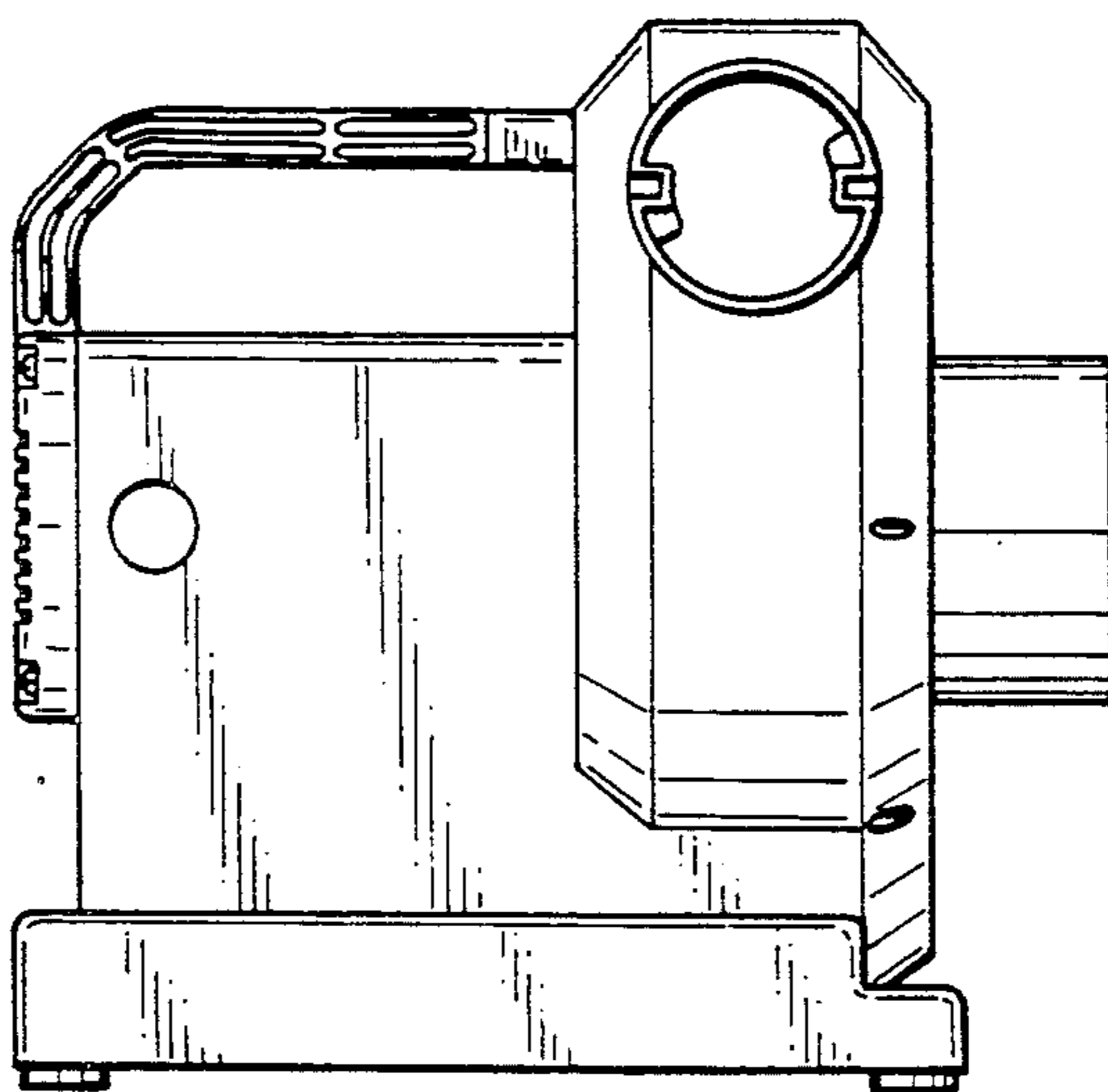


Fig. 5

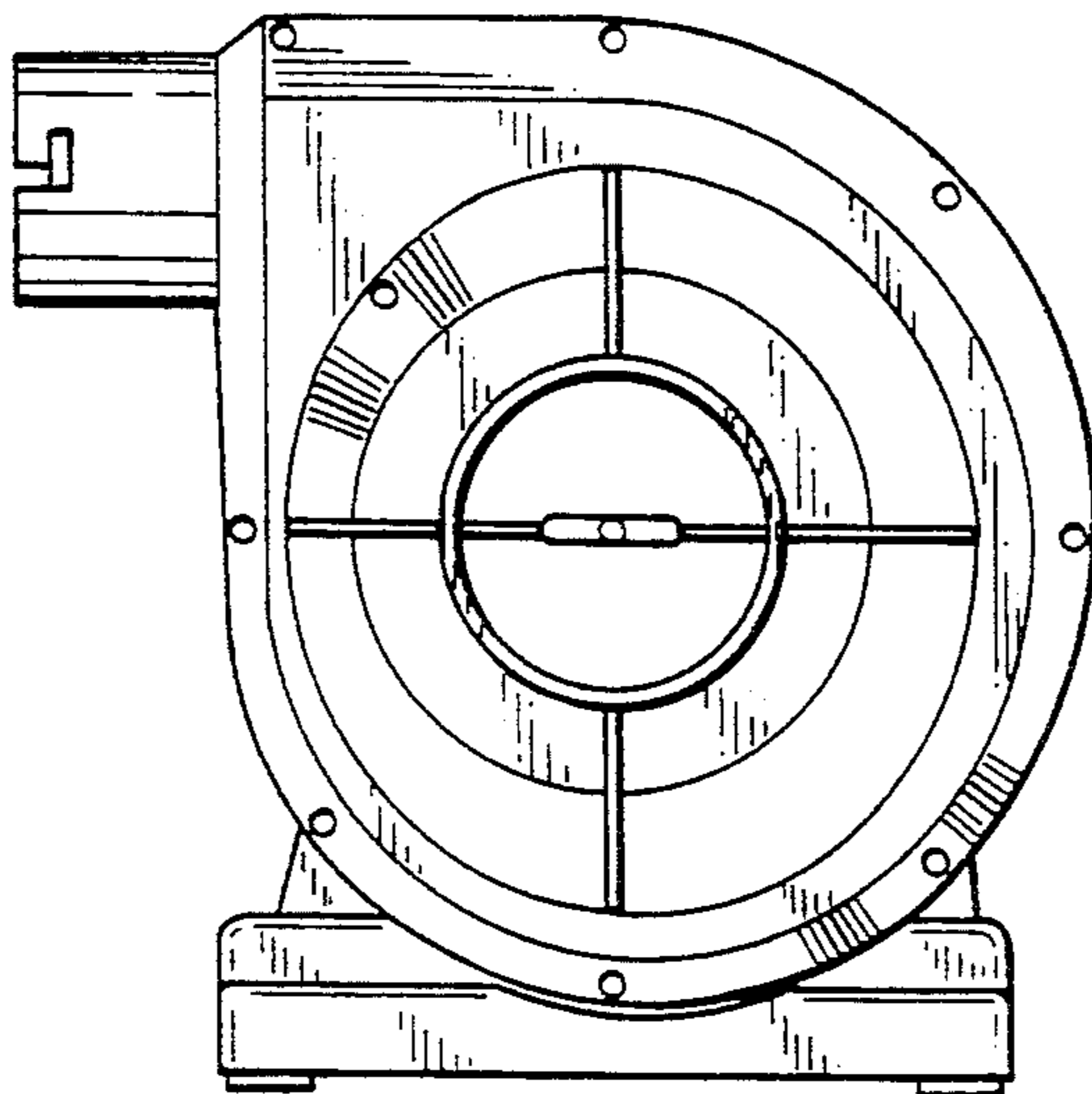


Fig. 6

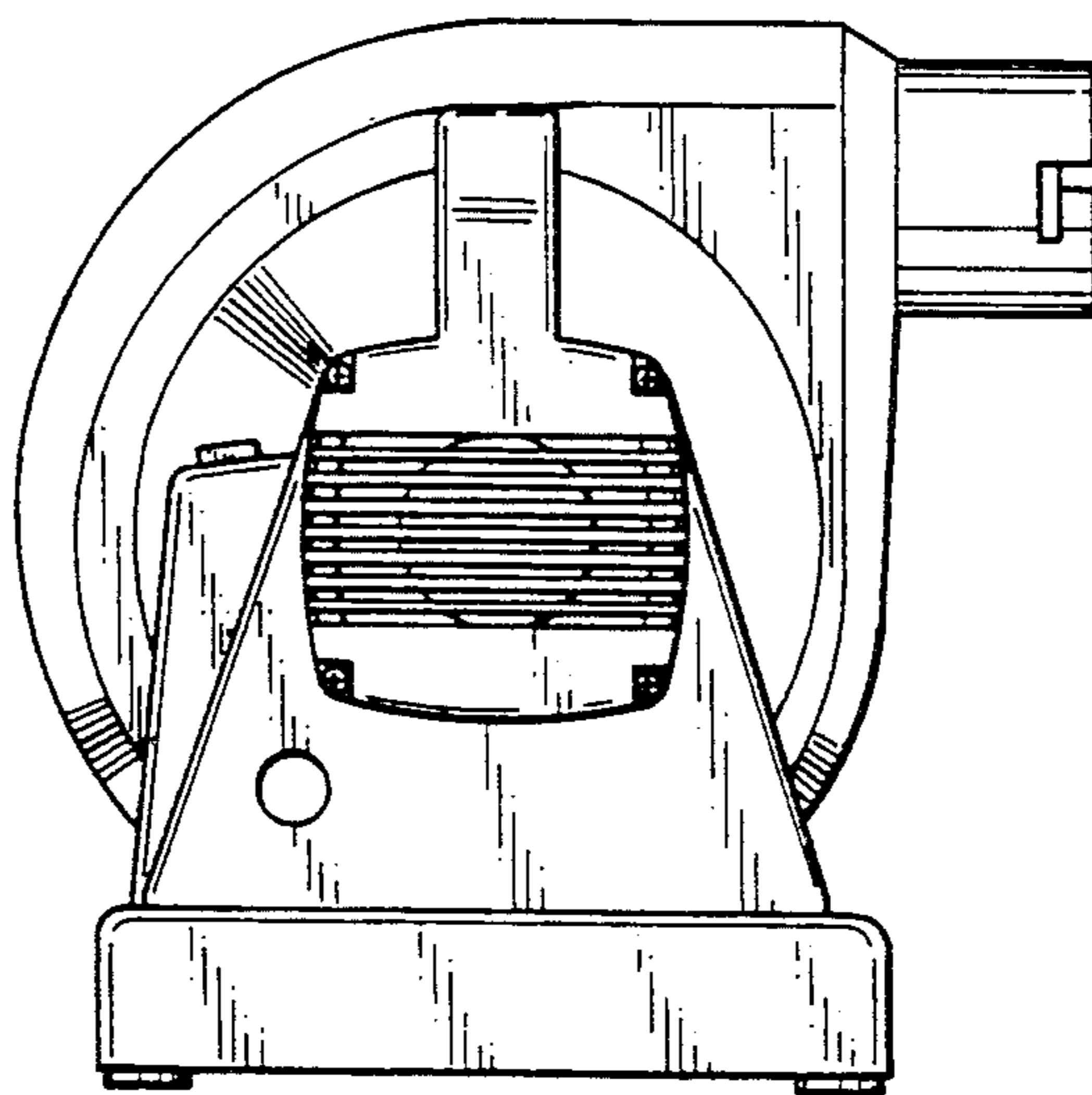


Fig. 7

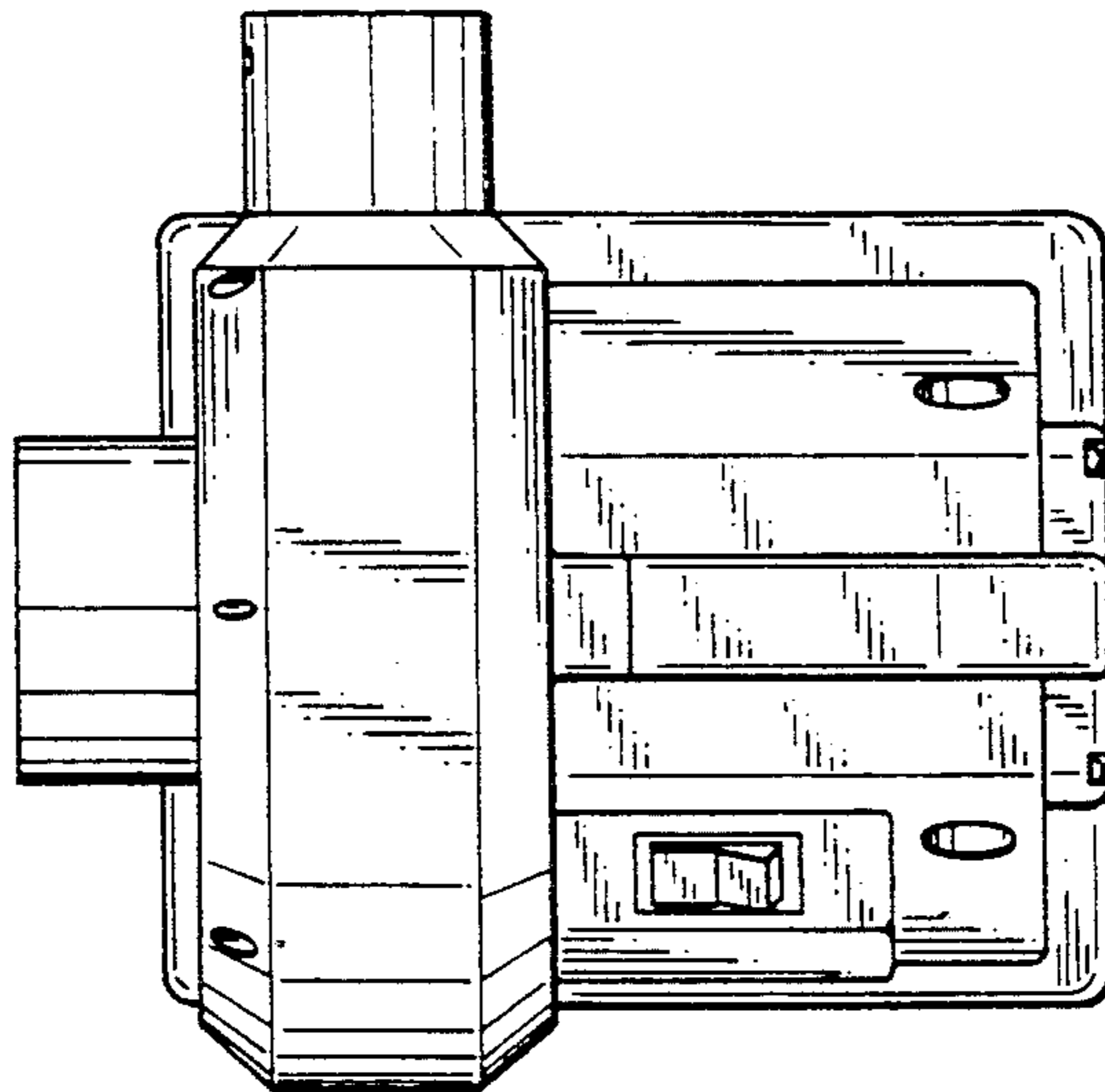


Fig. 8

