



US00D326538S

United States Patent [19]
Dordick

[11] **Patent Number: Des. 326,538**
[45] **Date of Patent: ** May 26, 1992**

[54] **WALL LAMP**

[75] **Inventor: Fran M. Dordick, Lyndhurst, Ohio**

[73] **Assignee: The L.D. Kichler Co., Cleveland, Ohio**

[**] **Term: 14 Years**

[21] **Appl. No.: 454,123**

[22] **Filed: Dec. 21, 1989**

[52] **U.S. Cl. D26/87**

[58] **Field of Search D26/72, 80-92; 362/147, 249, 432, 362**

[56] **References Cited**

U.S. PATENT DOCUMENTS

- D. 74,128 12/1927 Von Nessen D26/92
- D. 104,845 6/1937 Goodman D26/87

OTHER PUBLICATIONS

- Lighting Limited Catalog, ©1987, p. 17, wall lamp 4677-02.
- Kichler Lighting Catalog Supplement No. 686, printed in Jun. of 1986, p. S-42.

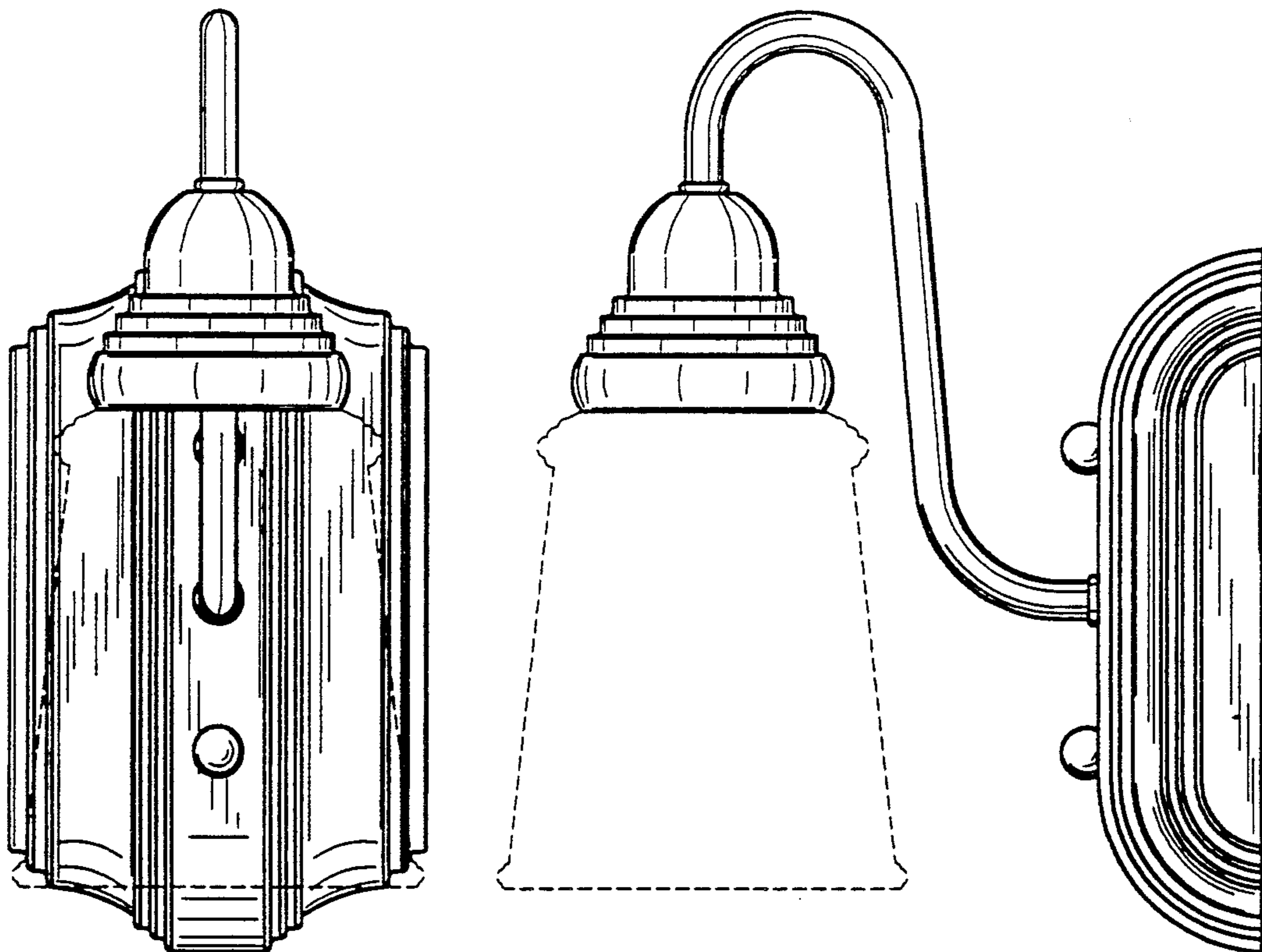
Primary Examiner—Susan J. Lucas
Attorney, Agent, or Firm—Watts, Hoffmann, Fisher & Heinke

[57] **CLAIM**

The ornamental design for a wall lamp, as shown and described.

DESCRIPTION

FIG. 1 is a front elevational view of a wall lamp showing my new design;
 FIG. 2 is a side elevational view thereof, the opposite side being a mirror image;
 FIG. 3 is a top plan view thereof;
 FIG. 4 is a bottom plan view thereof;
 FIG. 5 is a front elevational view of a second embodiment of my new design;
 FIG. 6 is a side elevational view thereof, the opposite side being a mirror image;
 FIG. 7 is a bottom plan view thereof;
 FIG. 8 is a top plan view thereof;
 FIG. 9 is a front elevational view of a third embodiment of my new design;
 FIG. 10 is a side elevational view thereof, the opposite side being a mirror image;
 FIG. 11 is a top plan view thereof;
 FIG. 12 is a bottom plan view thereof;
 FIG. 13 is a front elevational view of a fourth embodiment of my new design;
 FIG. 14 is a side elevational view thereof, the opposite side being a mirror image;
 FIG. 15 is a top plan view thereof; and,
 FIG. 16 is a bottom plan view thereof.
 The shades are shown in broken lines for illustrative purpose only.



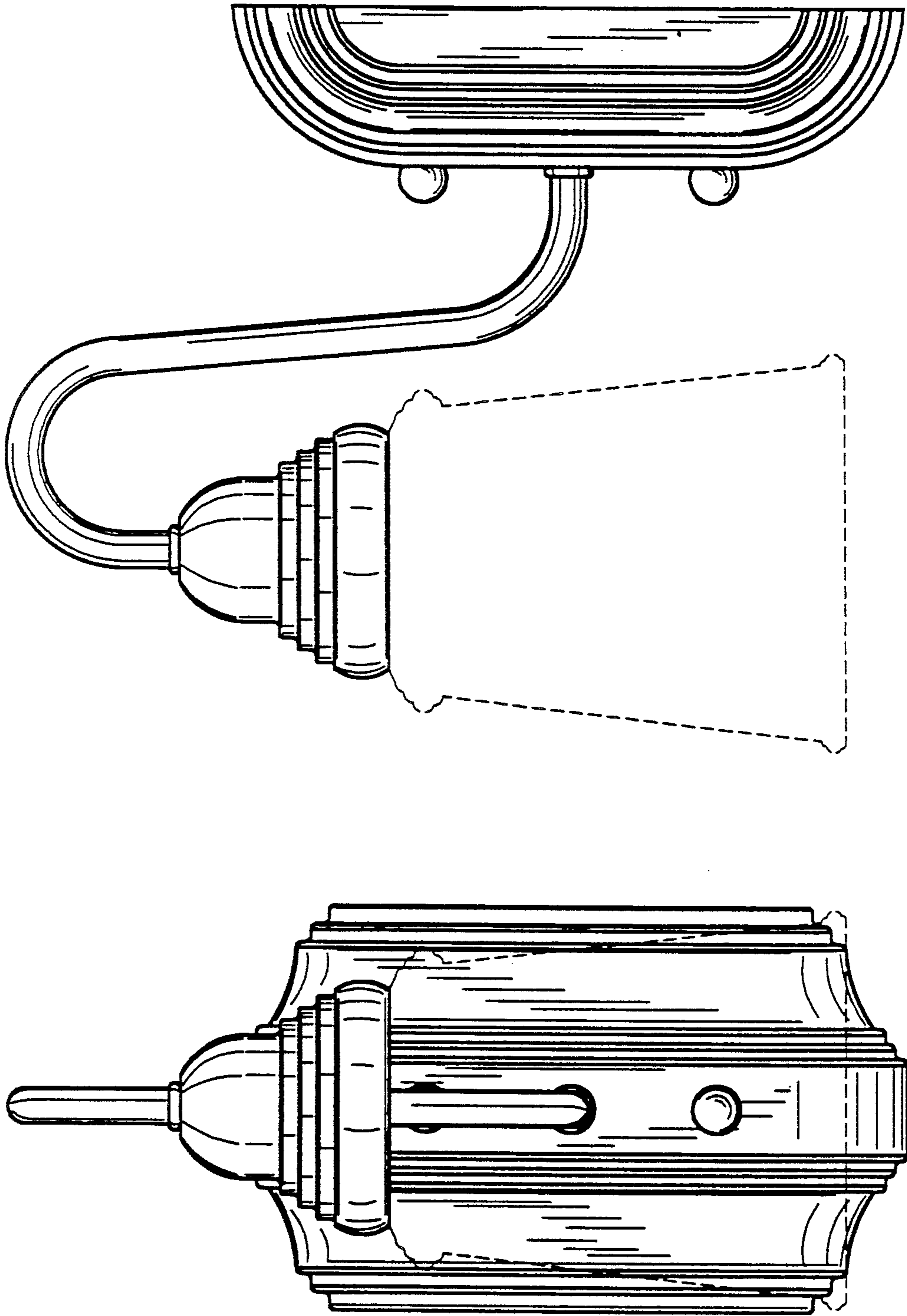


Fig.2

Fig.1

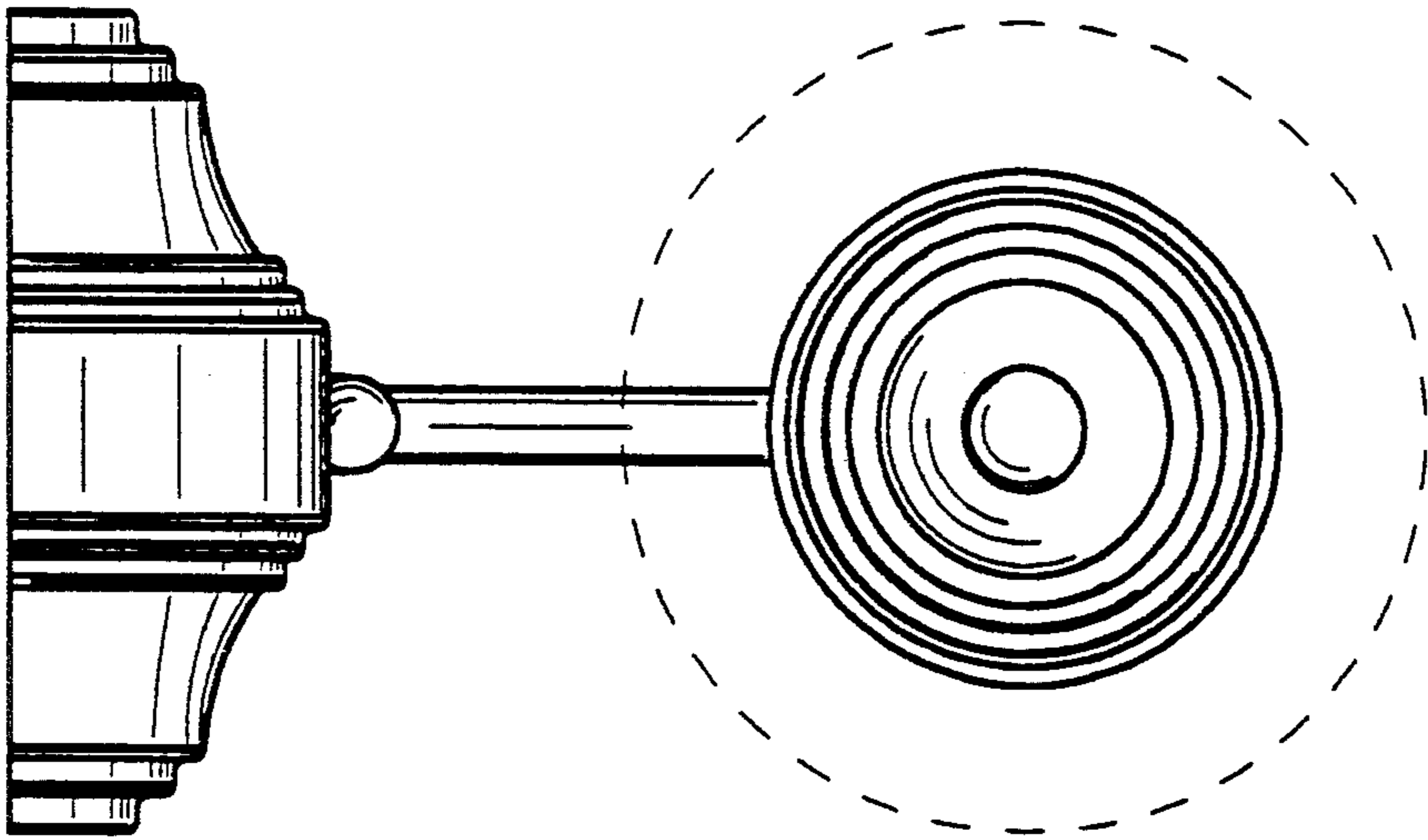


Fig.3

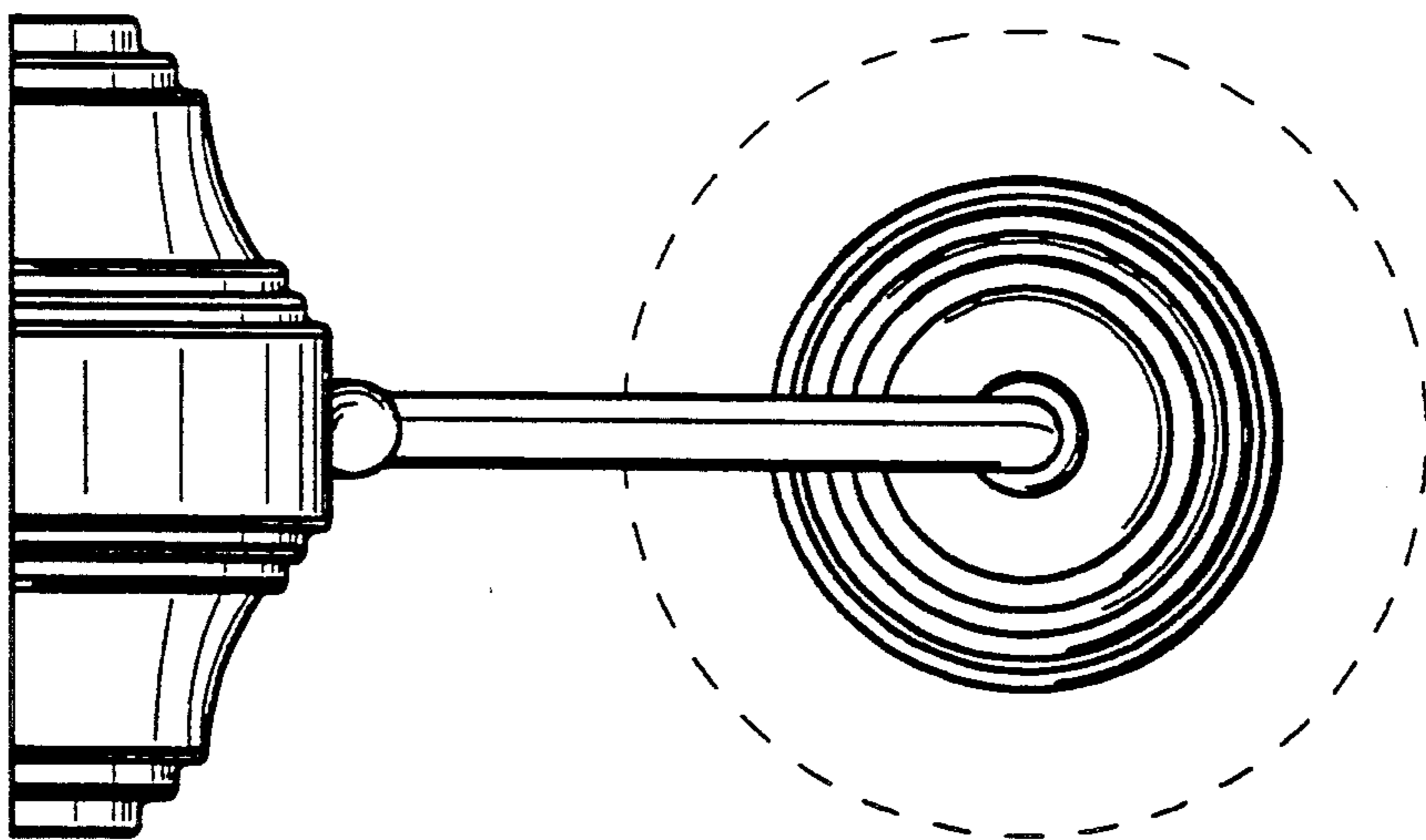


Fig.4

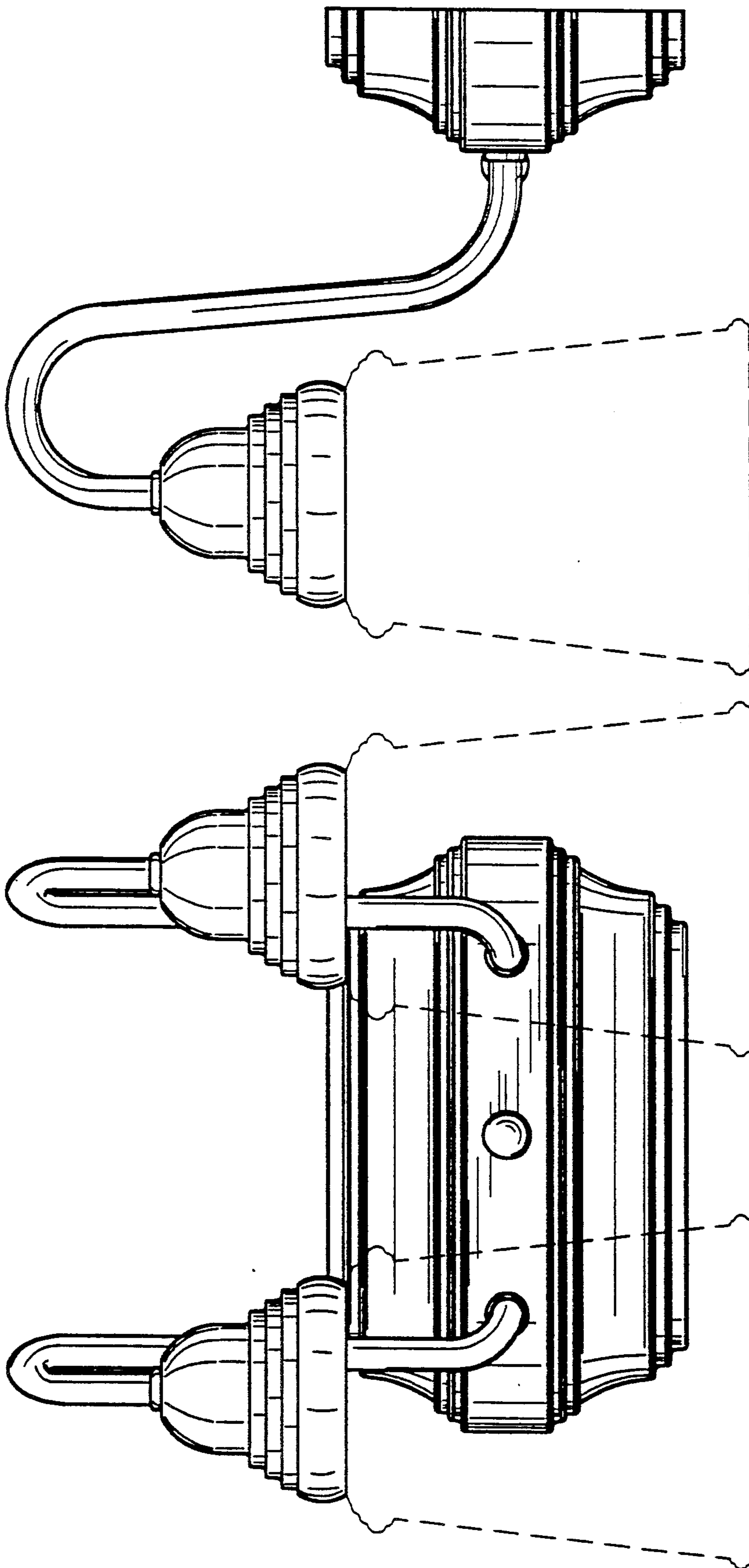


Fig.6

Fig.5

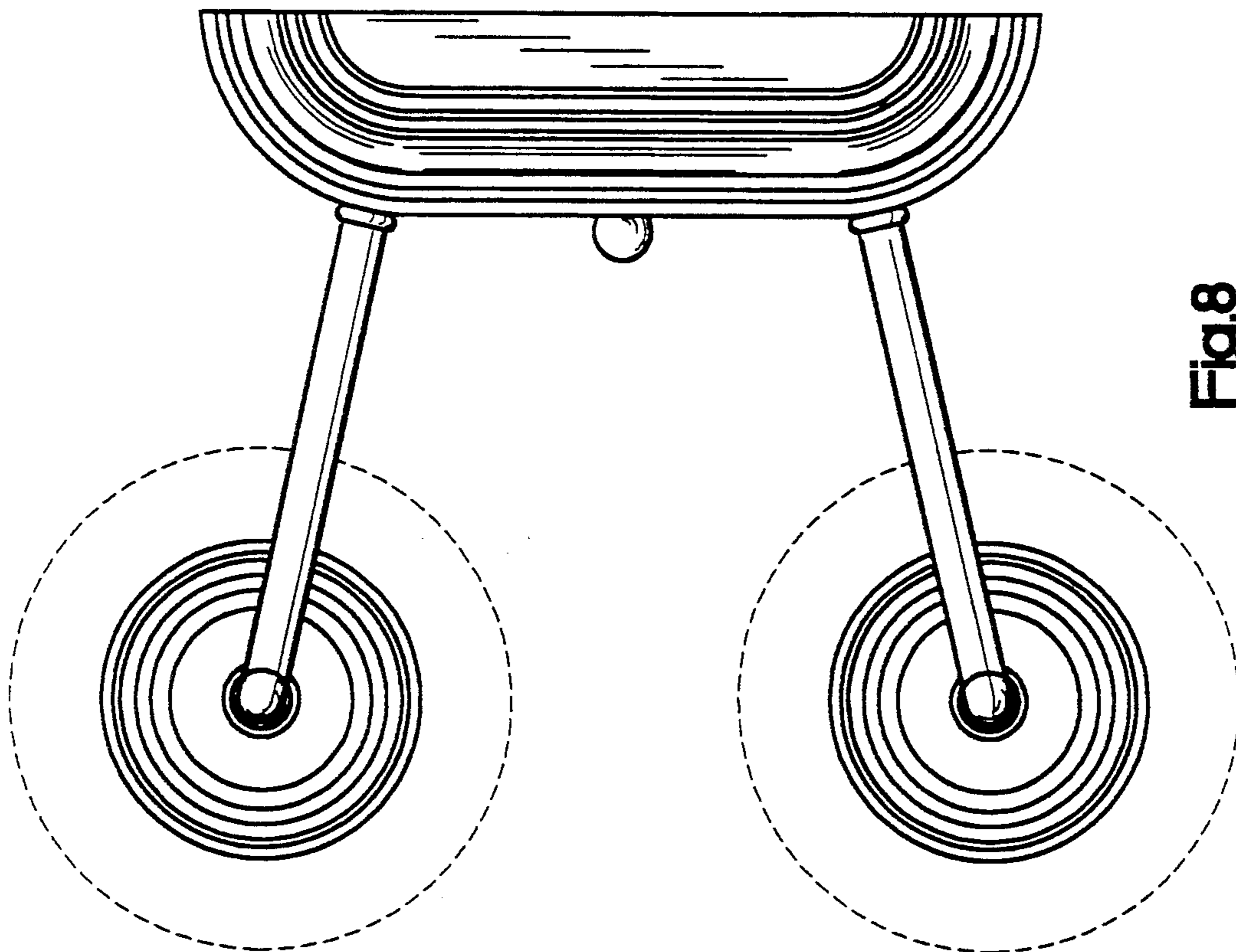


Fig.8

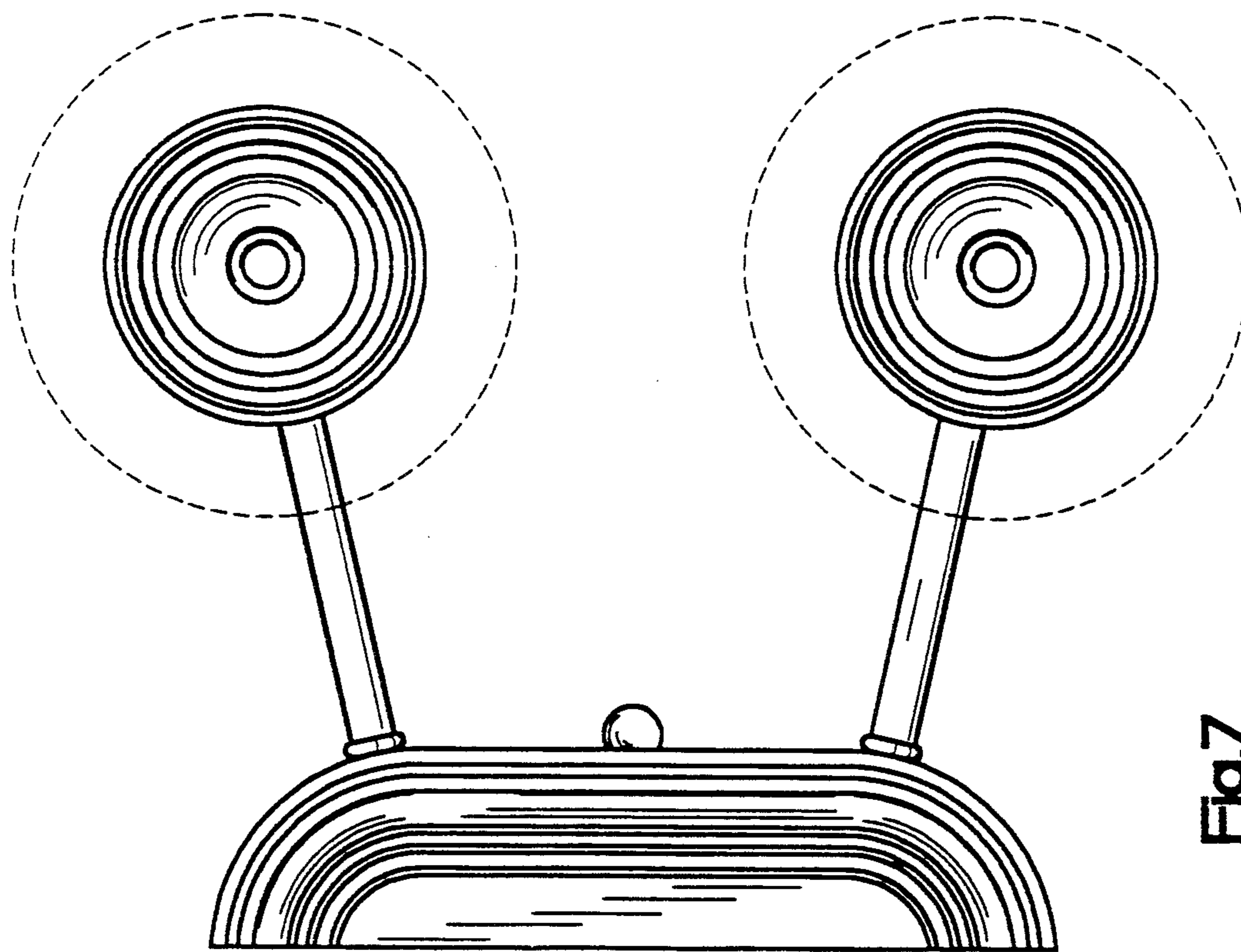


Fig.7

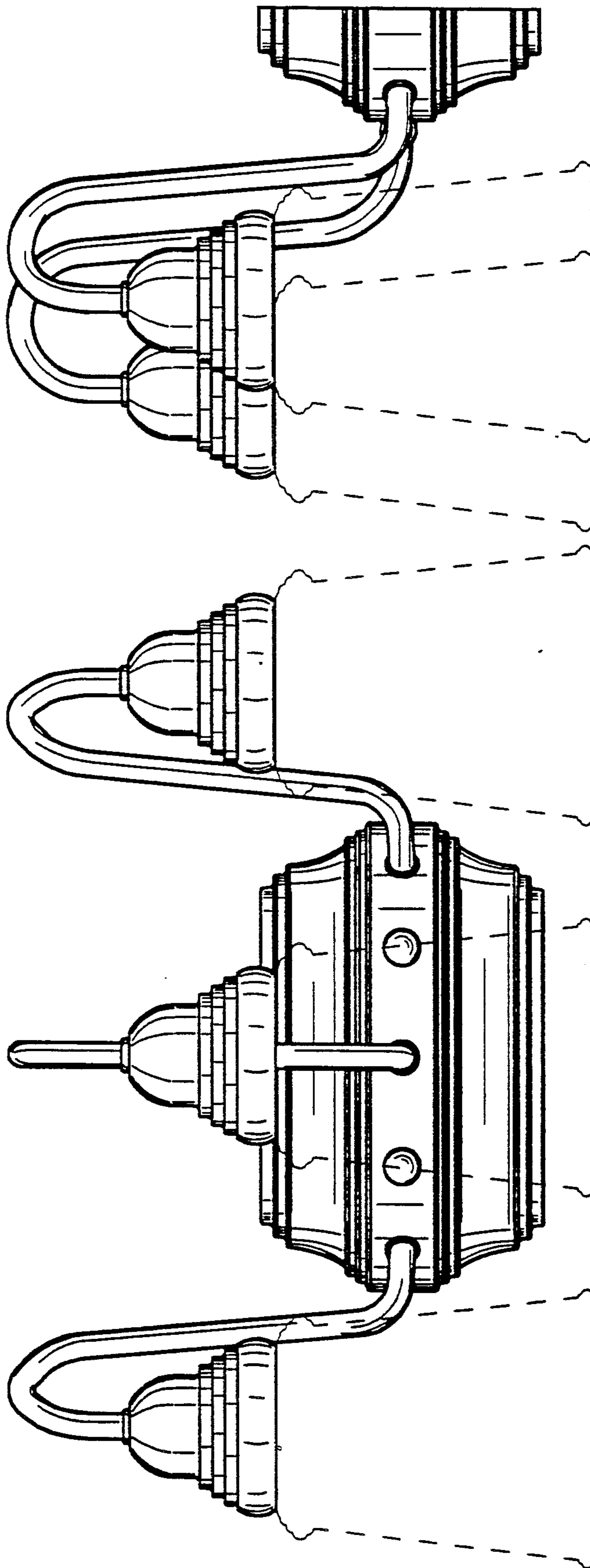


Fig.10

Fig.9

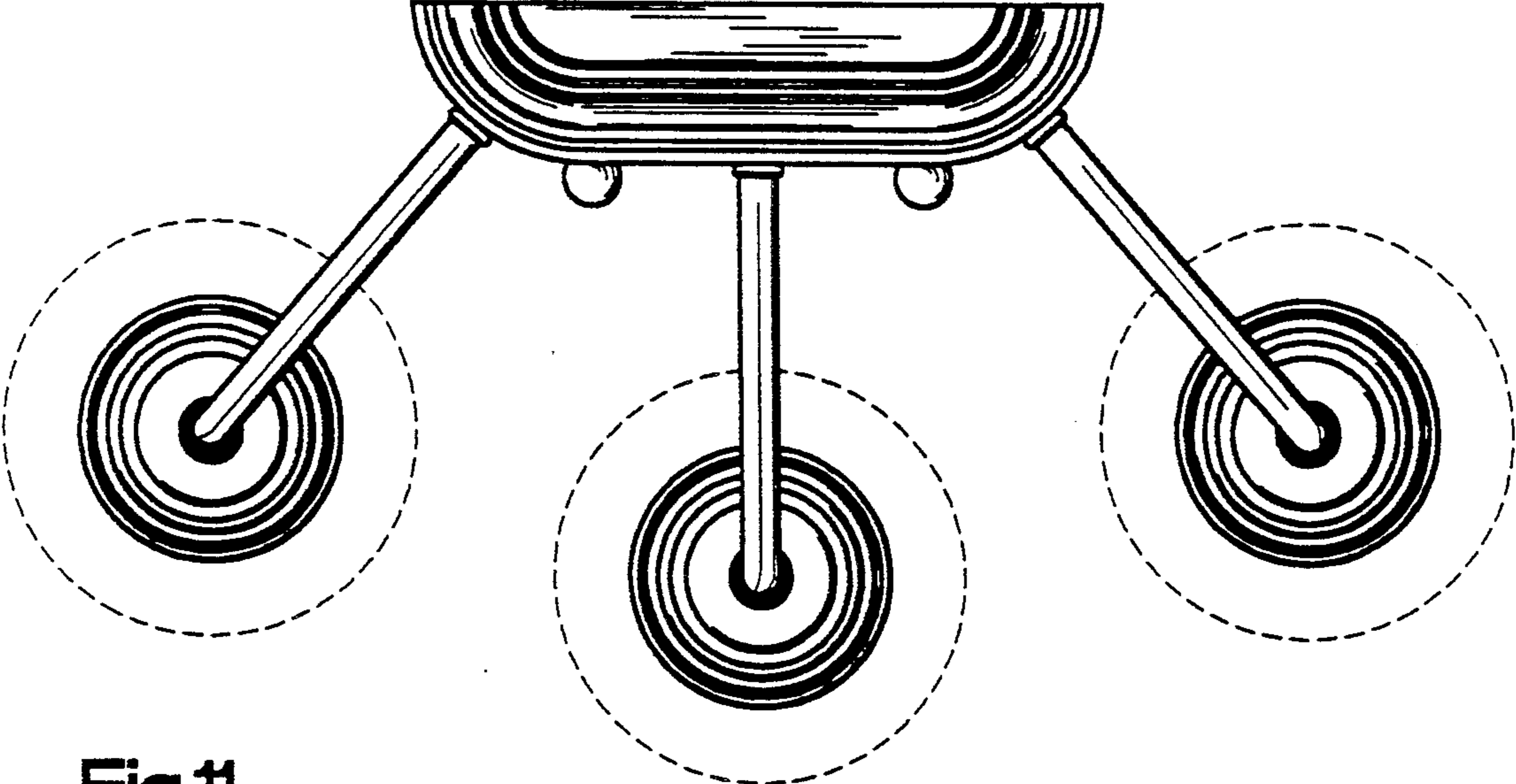


Fig.11

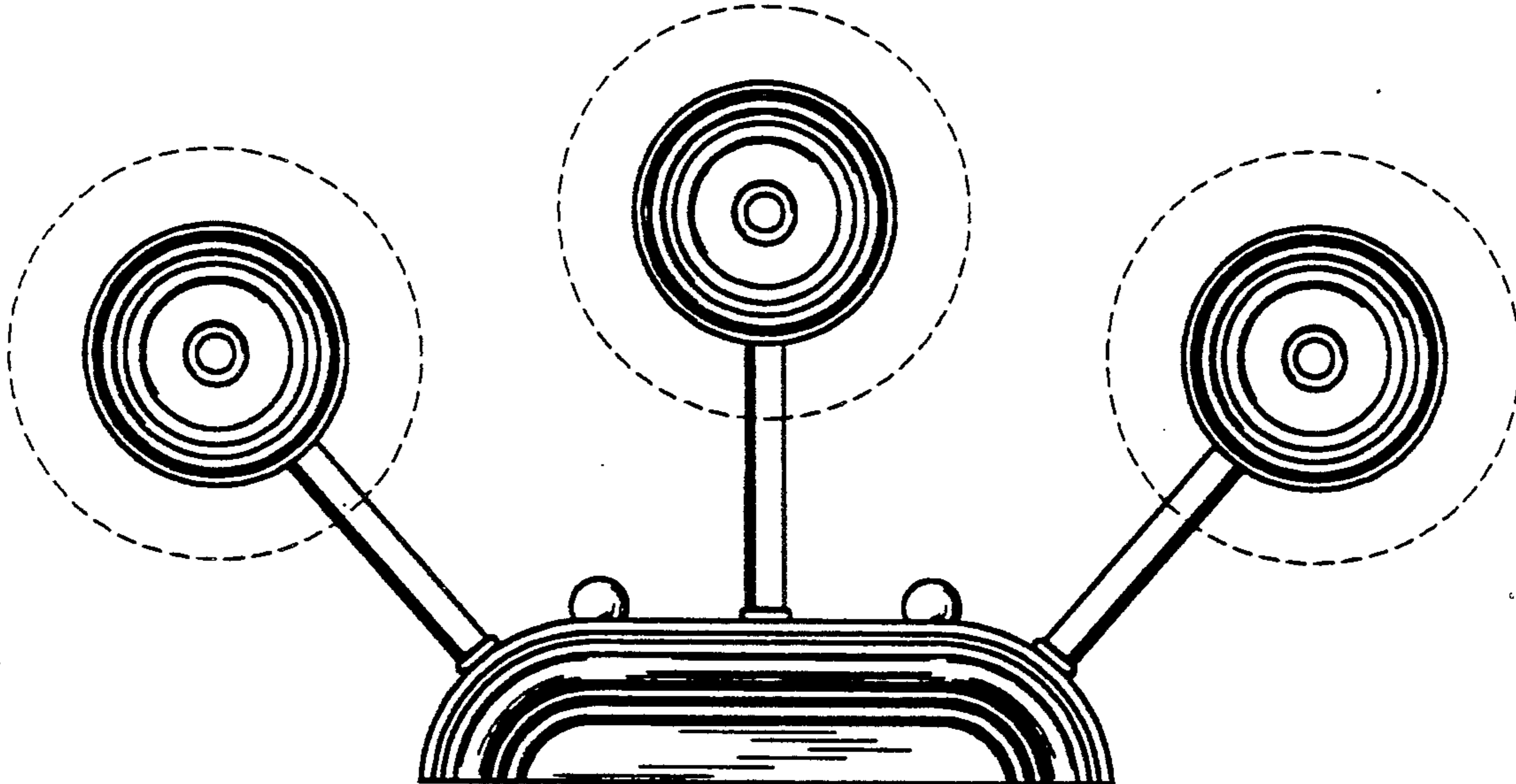


Fig.12

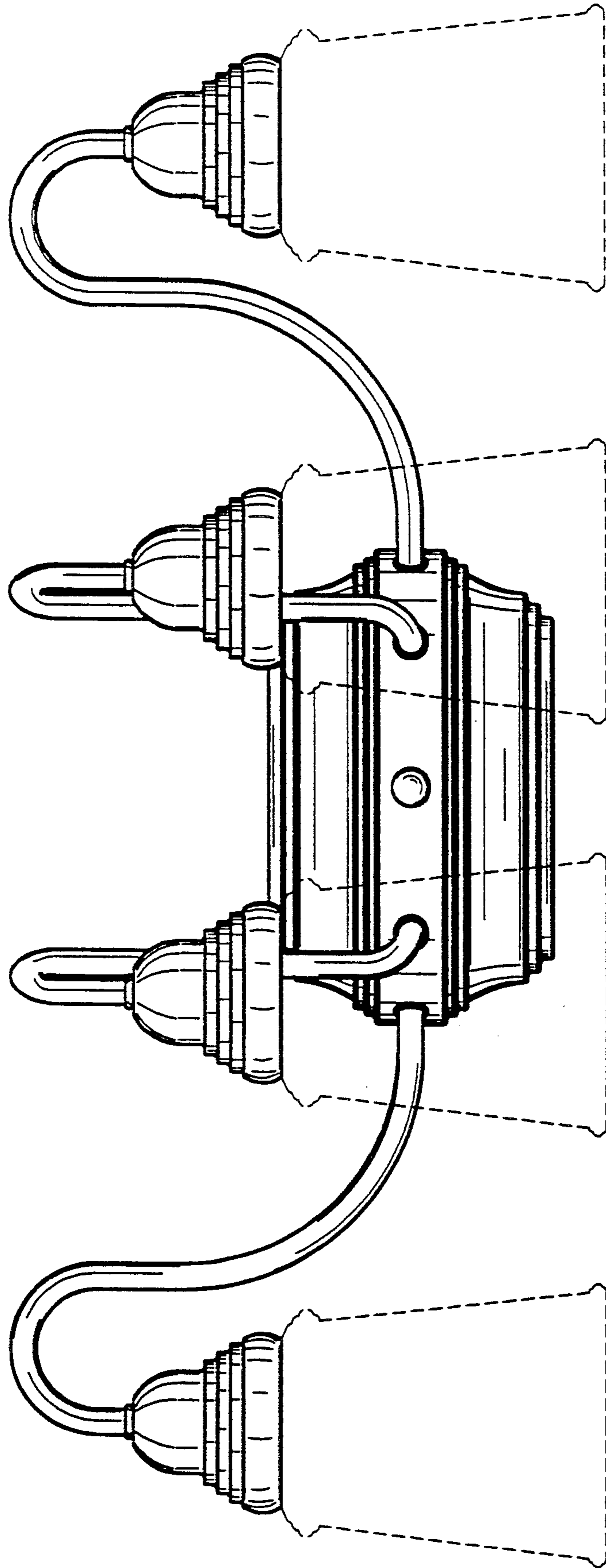


Fig.13

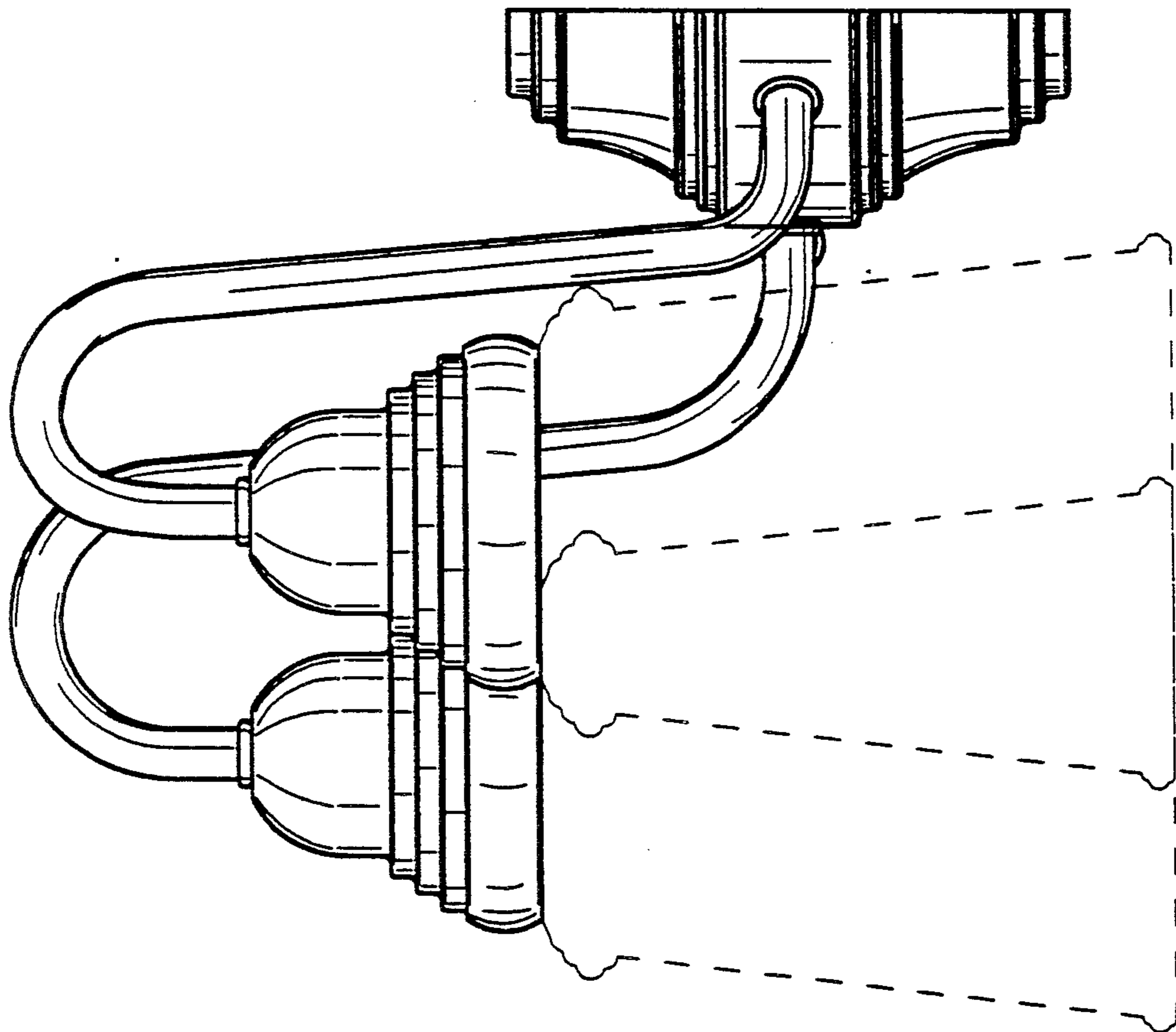


Fig.14

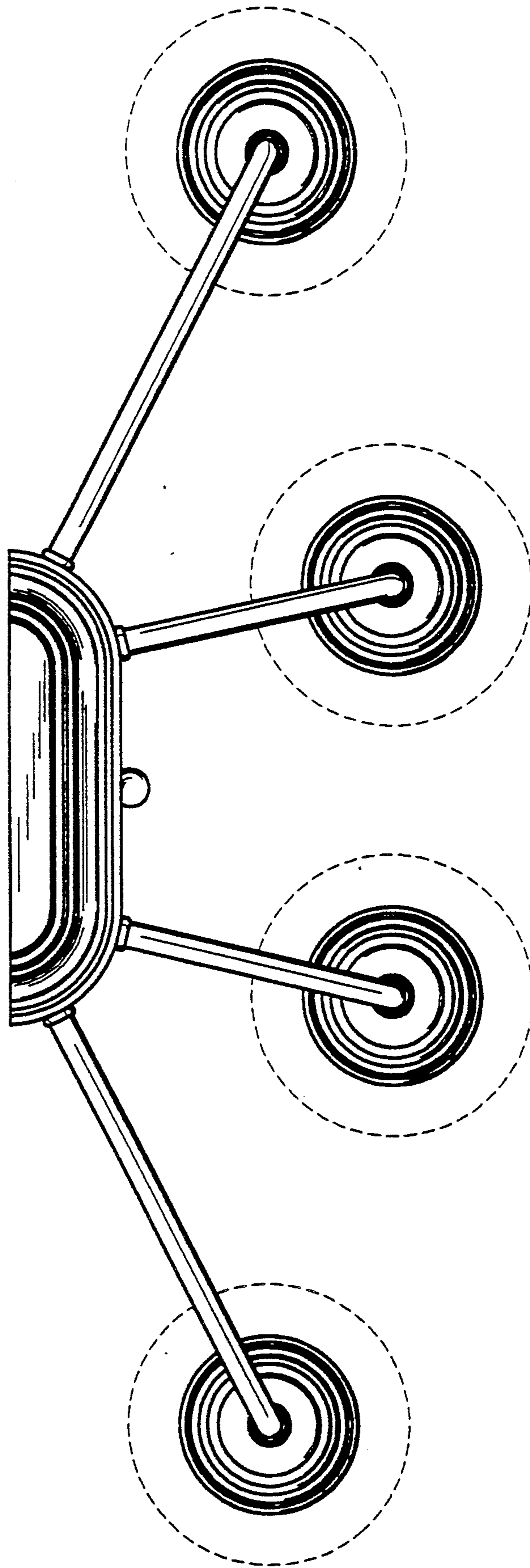


Fig.15

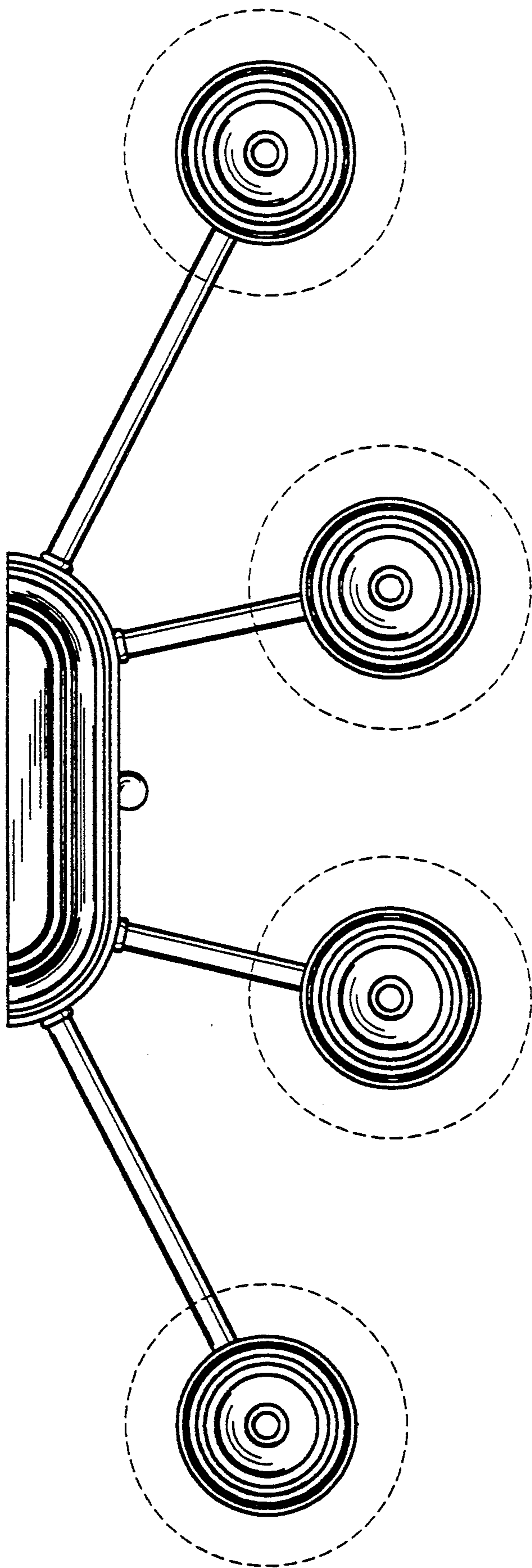


Fig.16