



US00D326537S

United States Patent [19]

[11] Patent Number: **Des. 326,537**

Gattari

[45] Date of Patent: **** May 26, 1992**

[54] **RECESSED LIGHTING FIXTURE**

4,551,791 11/1985 Salansky 362/365 X

[75] Inventor: **Massimo Gattari**, Potenza Picena, Italy

[73] Assignee: **Iguzzini Illuminazione S.p.A.**, Macerata, Italy

[**] Term: **14 Years**

[21] Appl. No.: **493,481**

[22] Filed: **Mar. 14, 1990**

[30] **Foreign Application Priority Data**

Sep. 18, 1989 [IT] Italy 21748/89[U]

[52] U.S. Cl. **D26/74**

[58] Field of Search **D26/72, 74, 80-92; 362/147, 404-408, 432, 362, 364, 365**

[56] **References Cited**

U.S. PATENT DOCUMENTS

2,859,333 11/1958 Burliuk et al. 362/364
3,518,420 6/1970 Kripp 362/365 X

OTHER PUBLICATIONS

Miller Co. High-Light Lighting Catalog, 1965, p. 13, Recessed Ceiling Lamp.

Prisma of Italy Lighting Bug, Ltd. Catalog, p. 6, Recessed Down Light.

Primary Examiner—Susan J. Lucas

Attorney, Agent, or Firm—Hedman, Gibson & Costigan

[57] **CLAIM**

The ornamental design for a processed lighting fixture, as shown and described.

DESCRIPTION

FIG. 1 is a top, front perspective view of a recessed lighting fixture showing my new design;

FIG. 2 is a side elevational view thereof, the opposite side being a mirror image;

FIG. 3 is a left side elevational view thereof;

FIG. 4 is a front elevational view thereof;

FIG. 5 is a top plan view thereof; and,

FIG. 6 is a bottom plan view thereof.

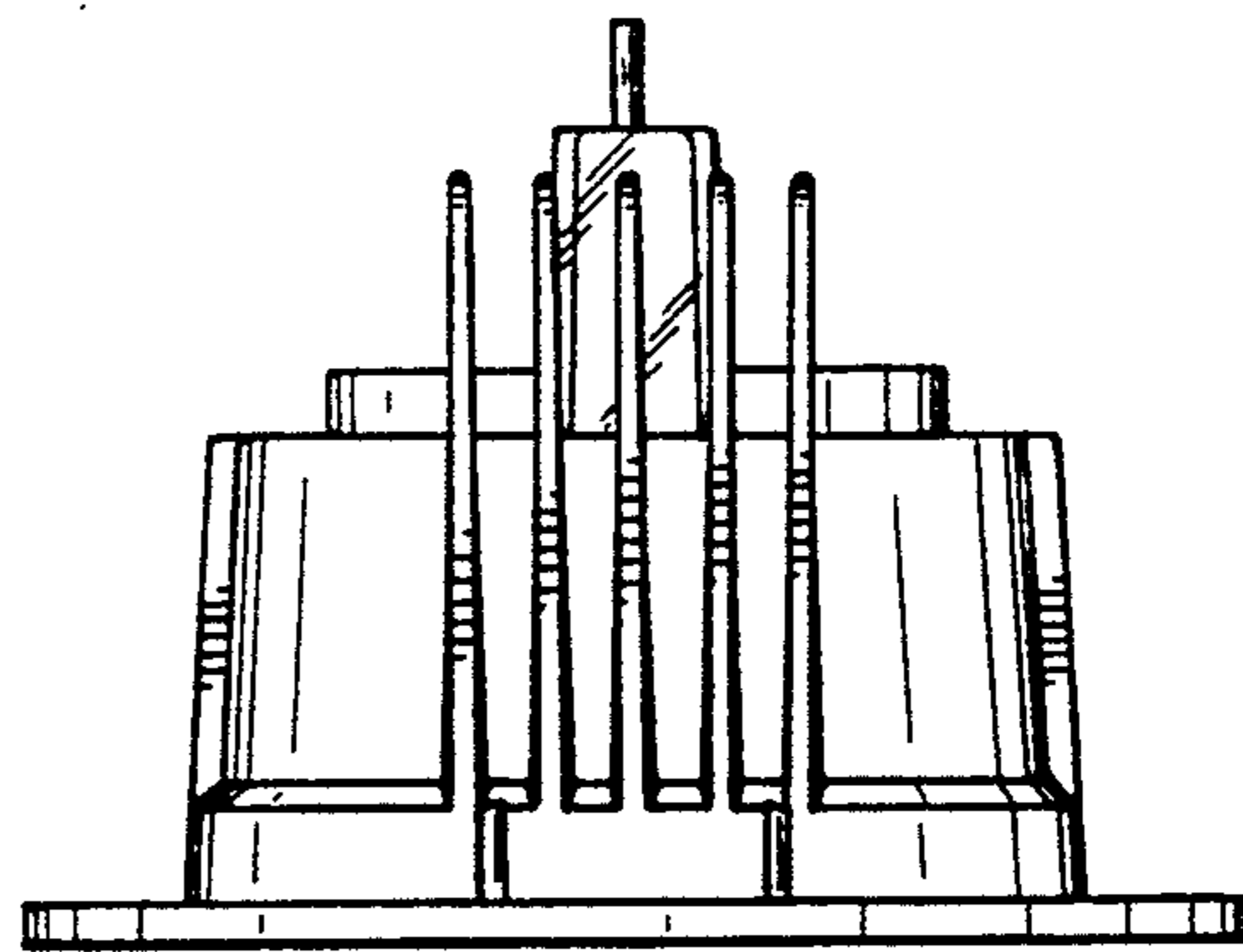
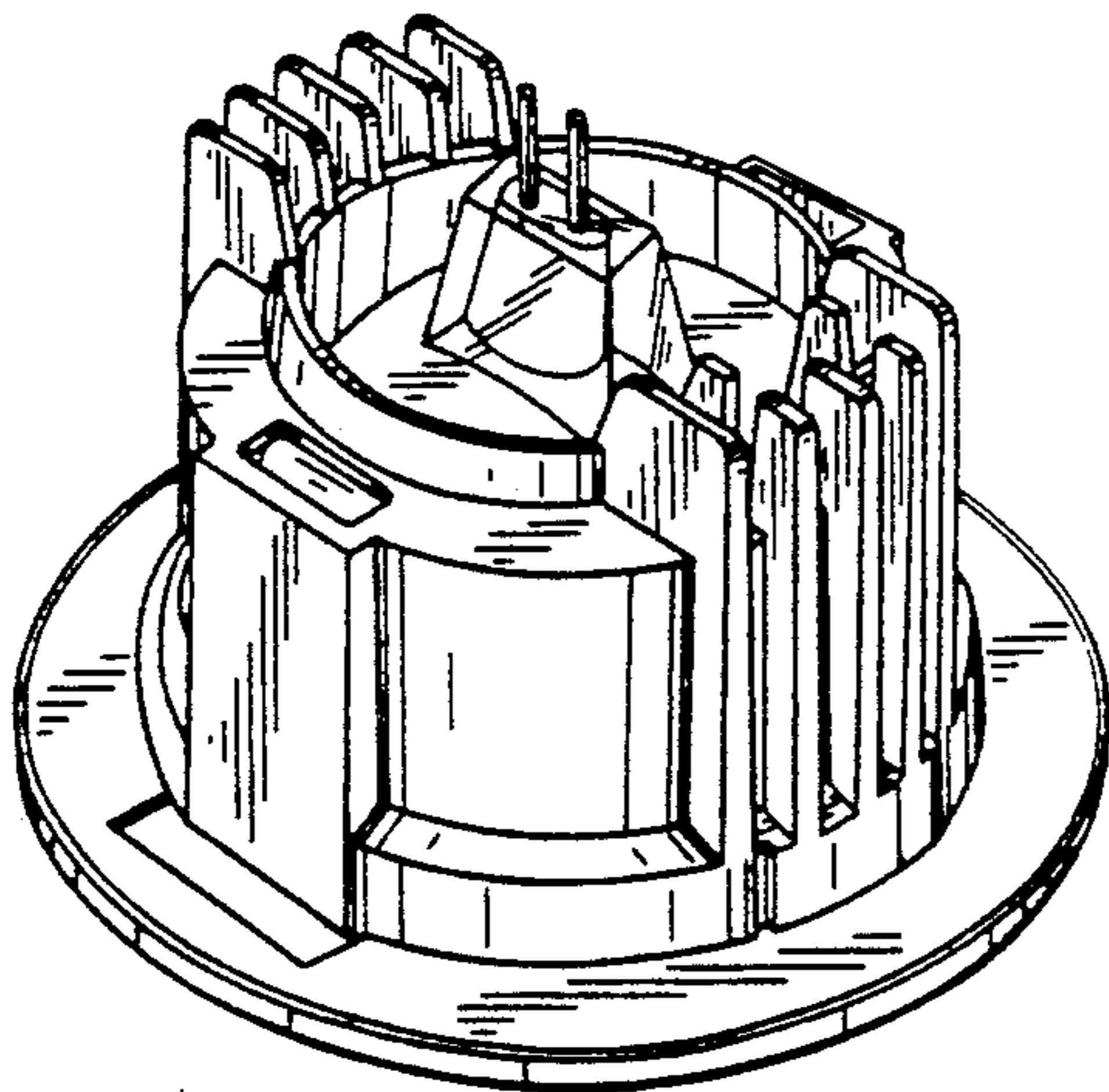


Fig.1

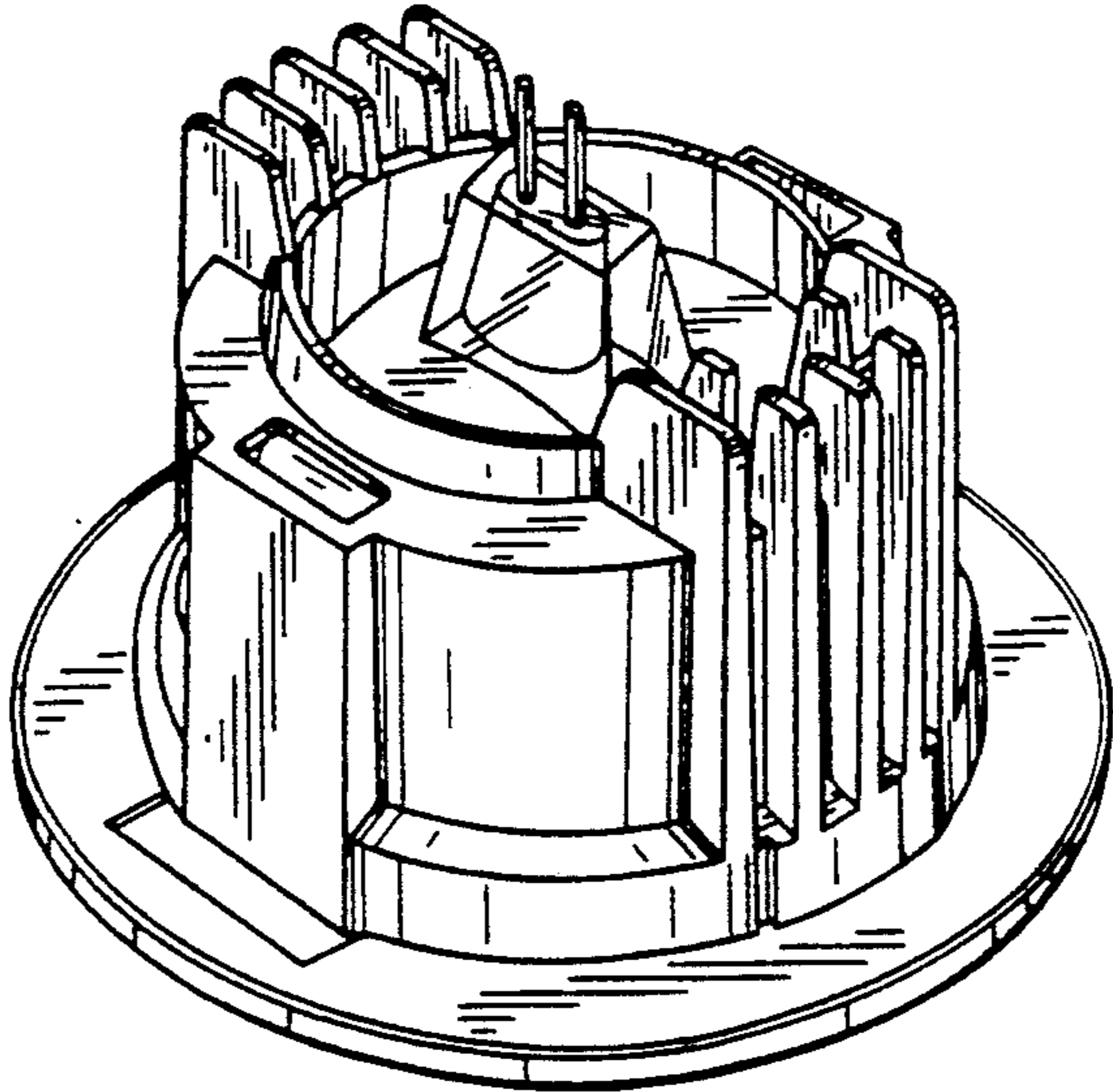


Fig.2

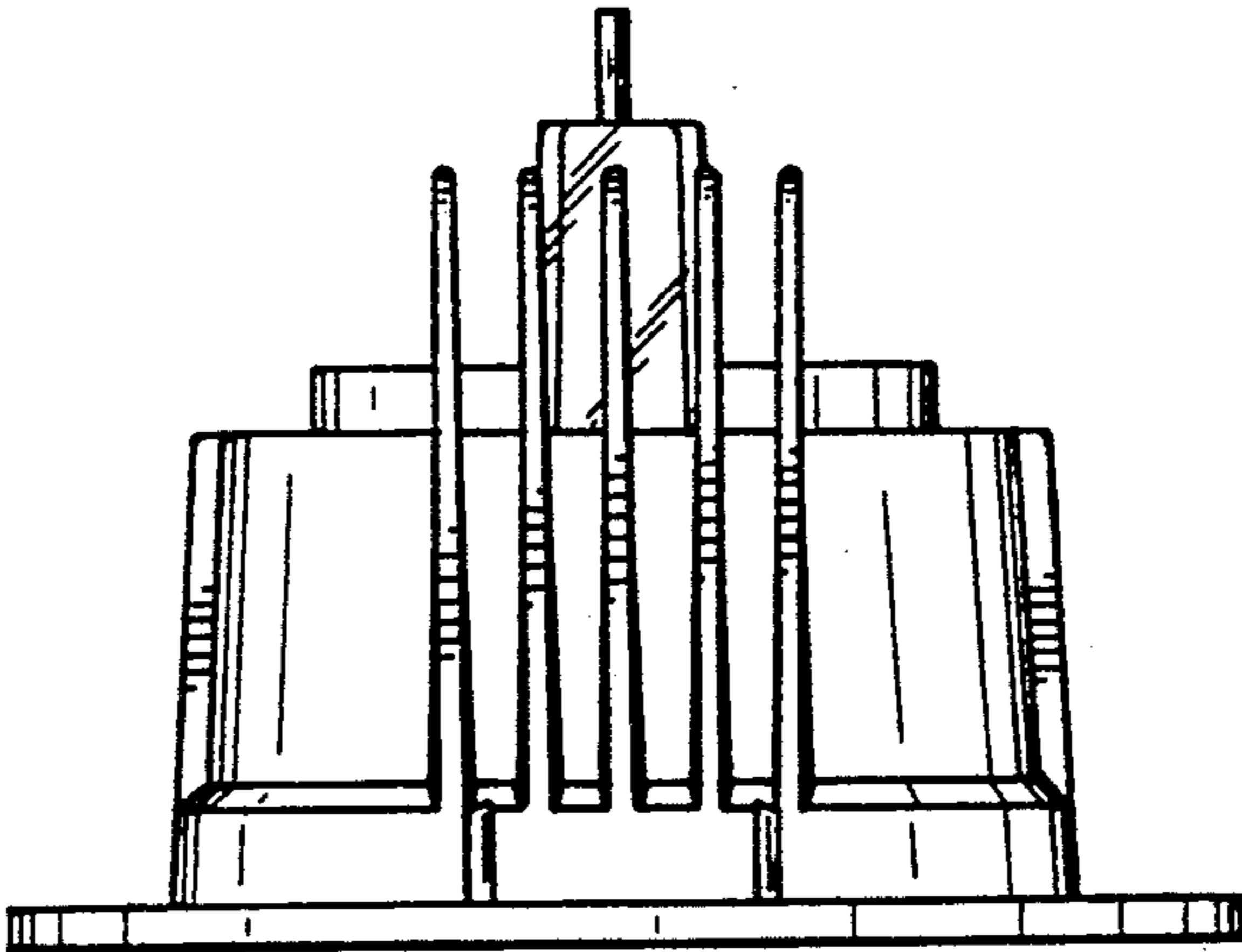


Fig.3

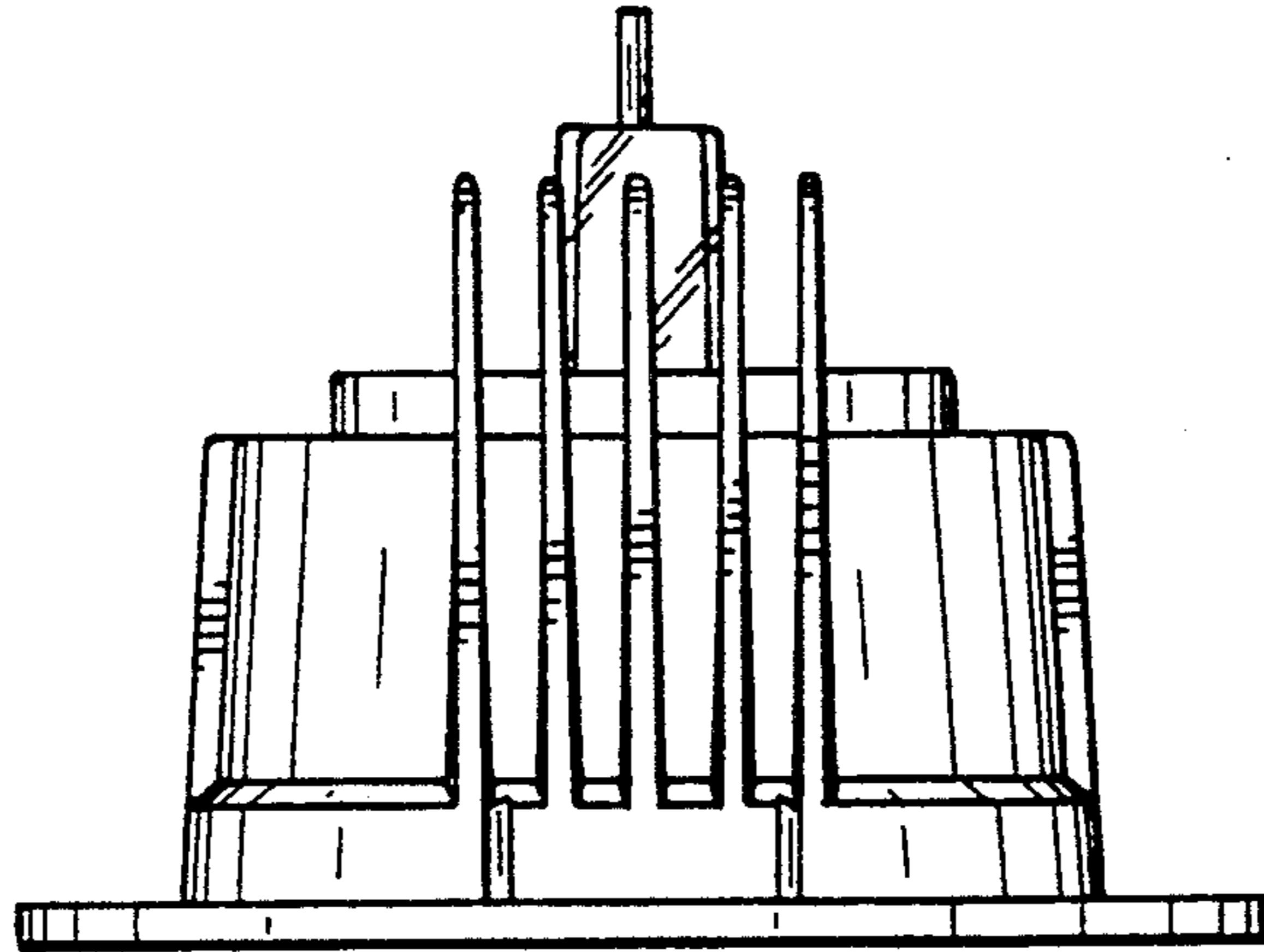


Fig.4

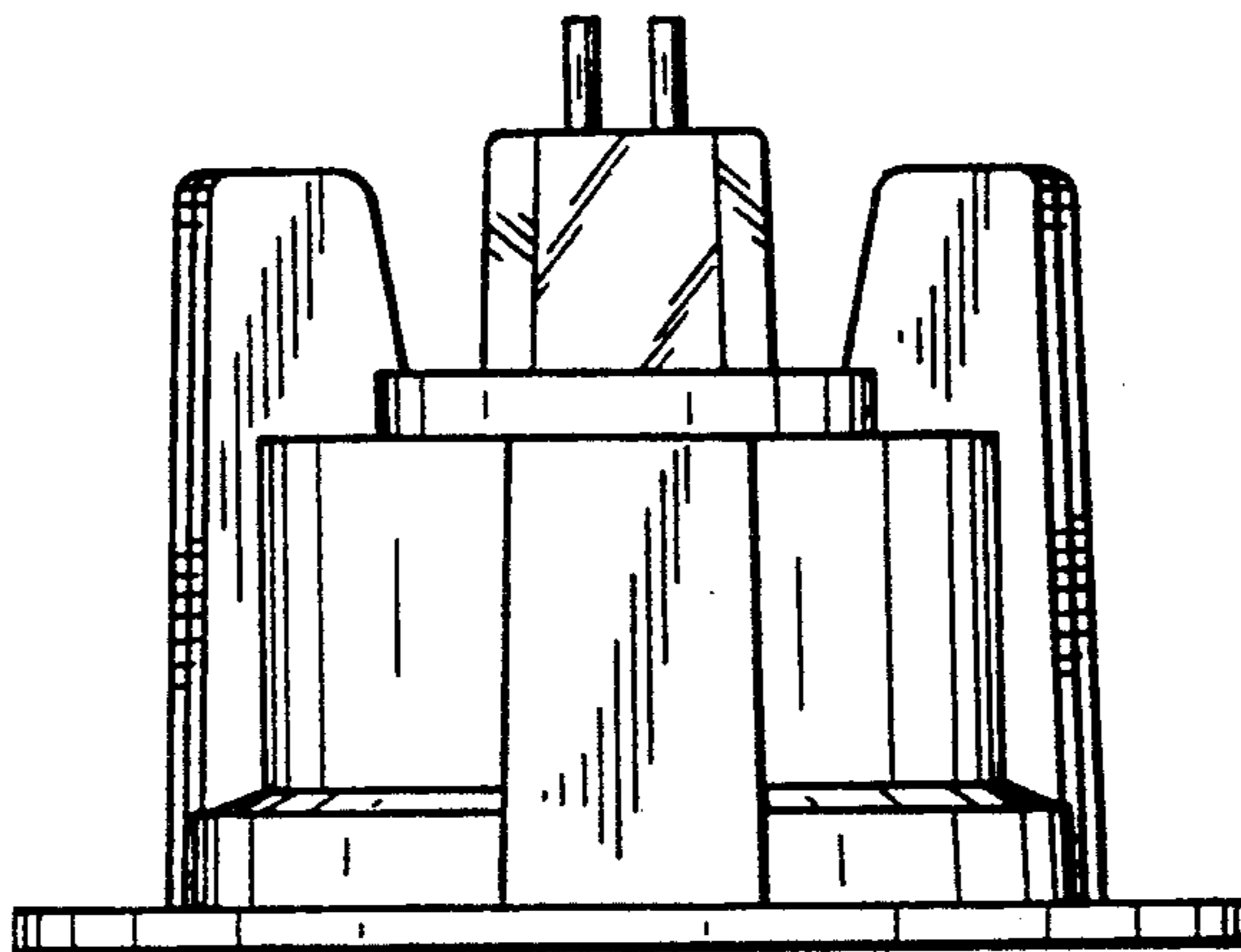


Fig.5

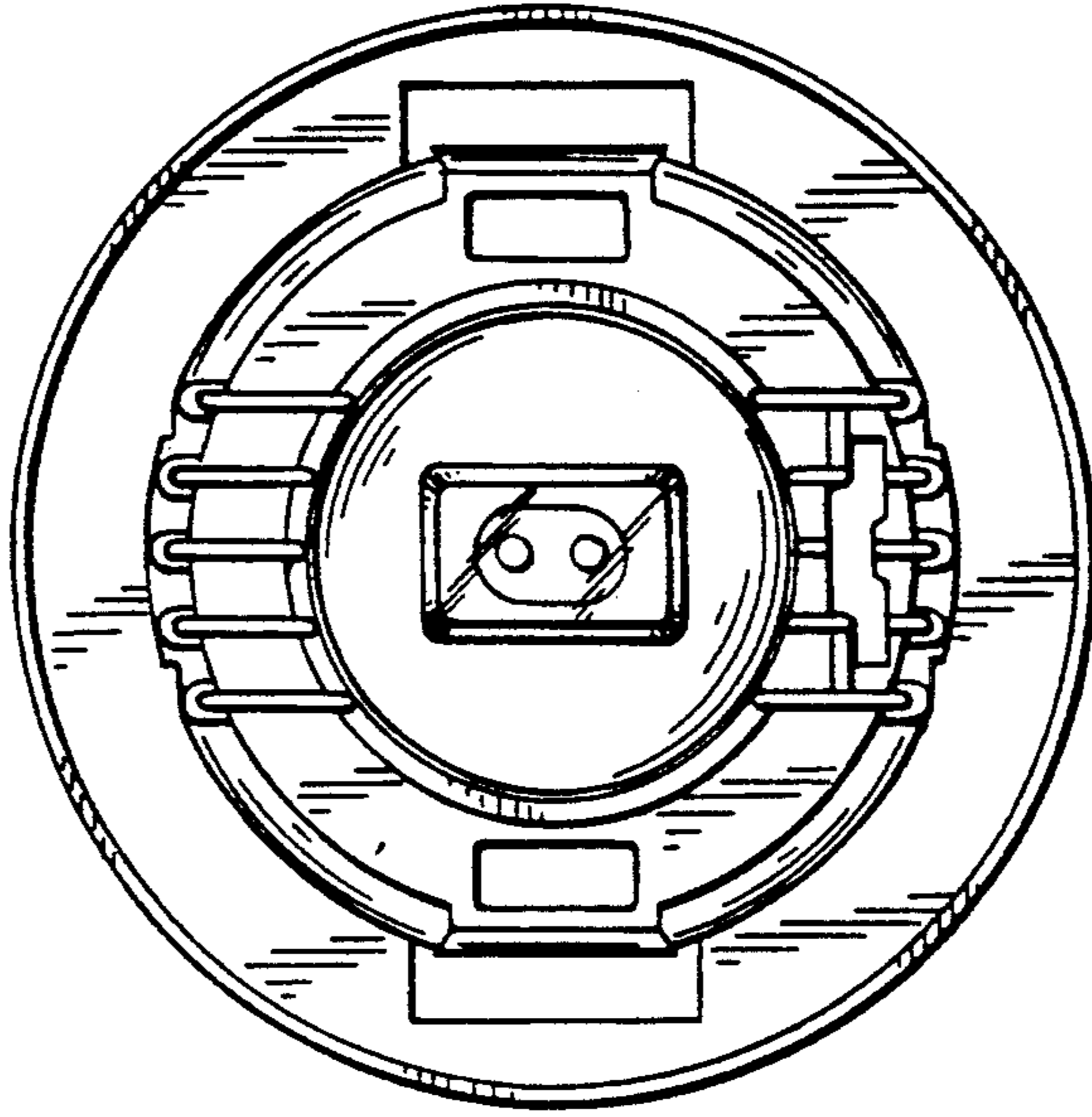


Fig.6

