



US00D326534S

United States Patent [19]

[11] Patent Number: Des. 326,534

Baez, Jr.

[45] Date of Patent: ** May 26, 1992

[54] BREATHING MASK

D. 320,473 10/1991 Mano et al. D29/7
5,009,225 4/1991 Vrabel 128/201.24

[76] Inventor: Alfonso H. Baez, Jr., 1208 S.
Marengo Ave., Unit H, Alhambra,
Calif. 91803

Primary Examiner—Kay H. Chin
Attorney, Agent, or Firm—Leon Gilden

[**] Term: 14 Years

[57] CLAIM

[21] Appl. No.: 600,118

The ornamental design for a breathing mask, as shown
and described.

[22] Filed: Oct. 19, 1990

DESCRIPTION

[52] U.S. Cl. D29/7; D29/9

[58] Field of Search D29/6-9;
128/201.24, 201.23, 201.25, 205.25, 206.12,
206.17, 207.11; D24/162

FIG. 1 is a front elevational view of the breathing mask
showing my new design;

FIG. 2 is a rear elevational view thereof;

FIG. 3 is a left side elevational view thereof;

FIG. 4 is a right side elevational view thereof;

FIG. 5 is a top plan view thereof;

FIG. 6 is a bottom plan view thereof; and,

FIG. 7 is a perspective view thereof.

[56] References Cited

U.S. PATENT DOCUMENTS

D. 188,301 6/1960 Doak D29/8

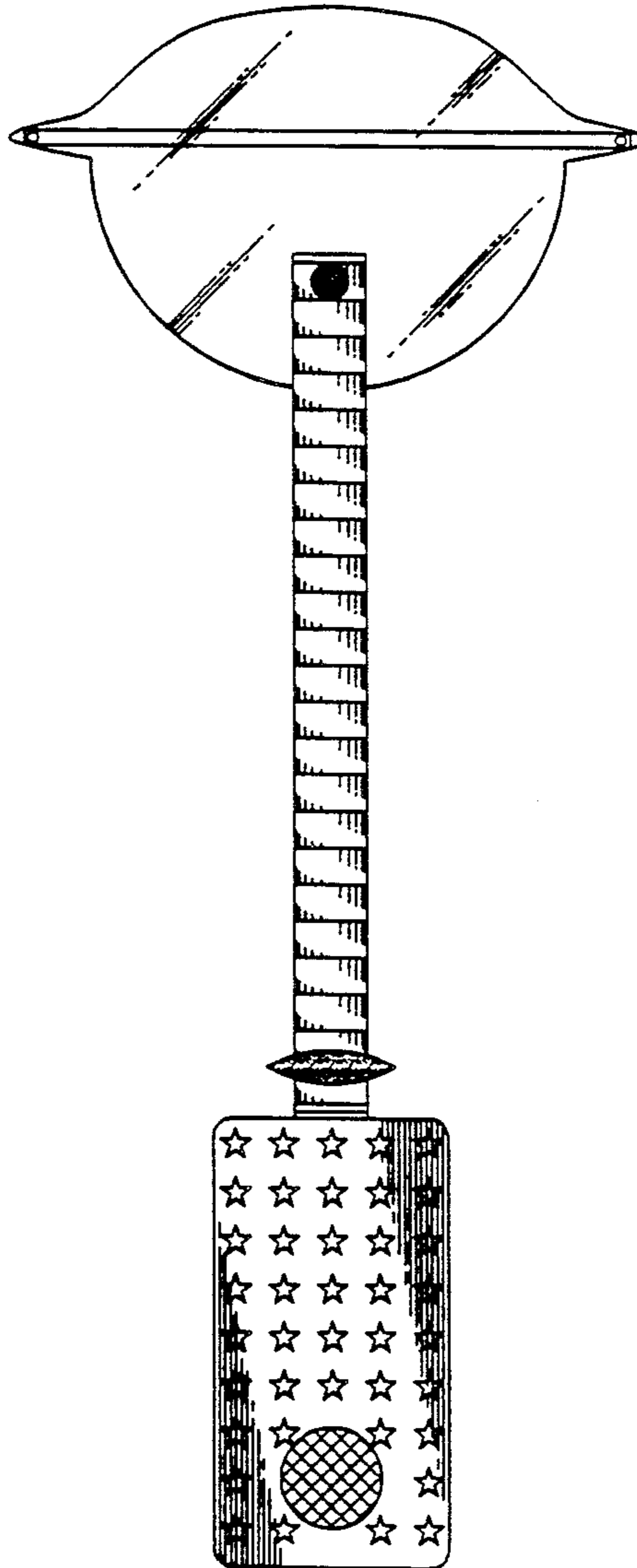


FIG. 1

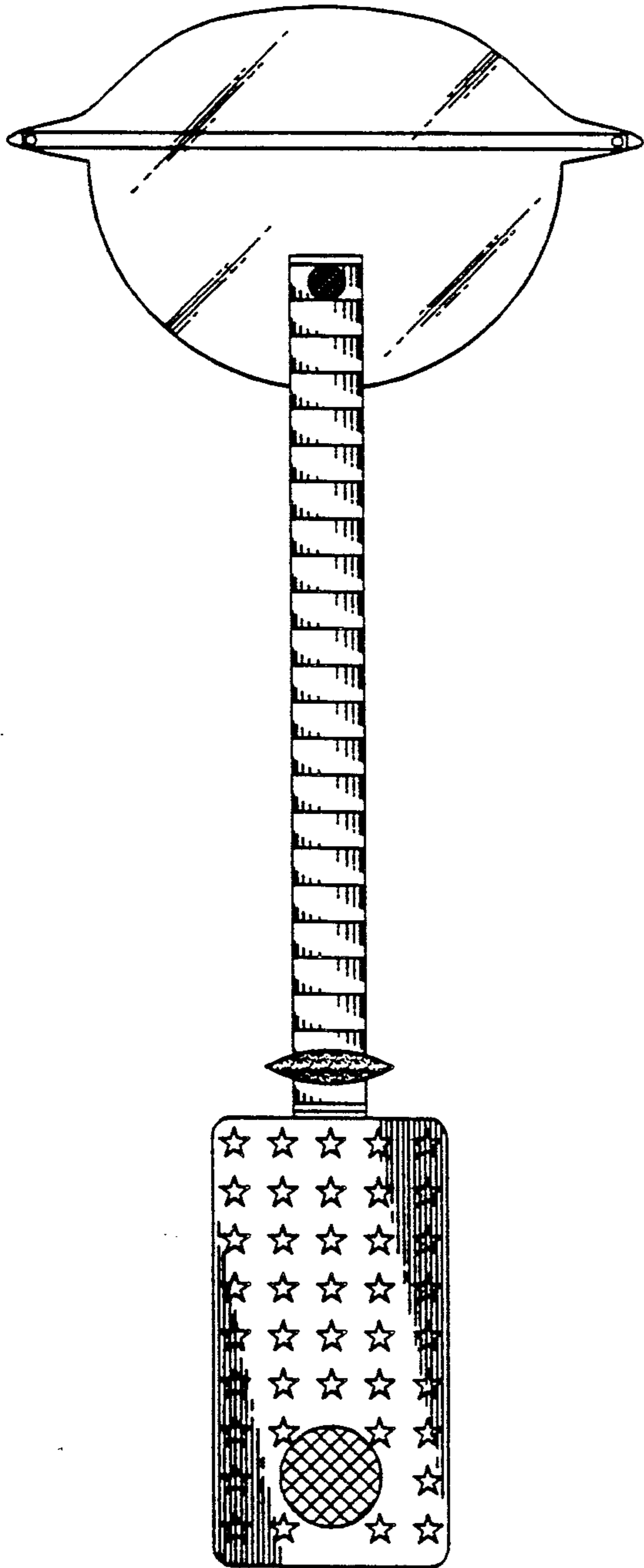


FIG. 2

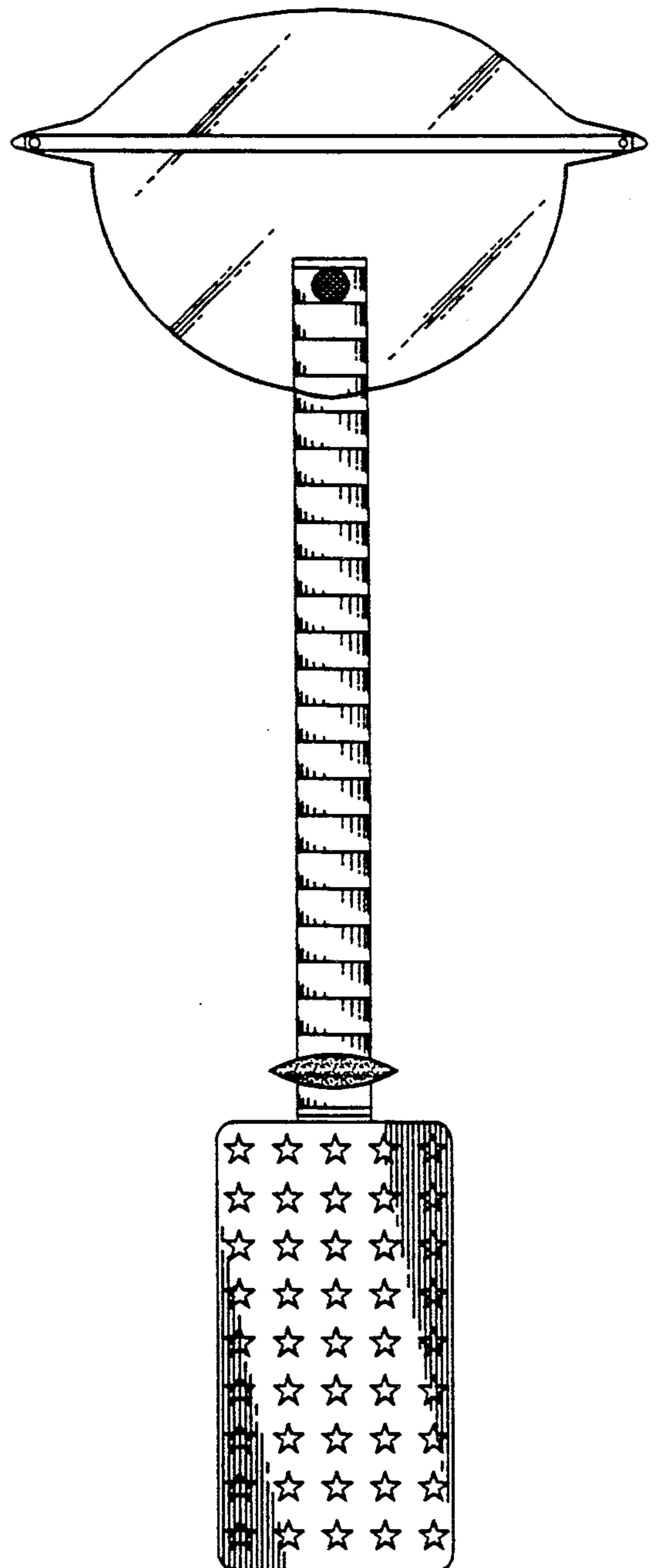


FIG. 3

FIG. 4

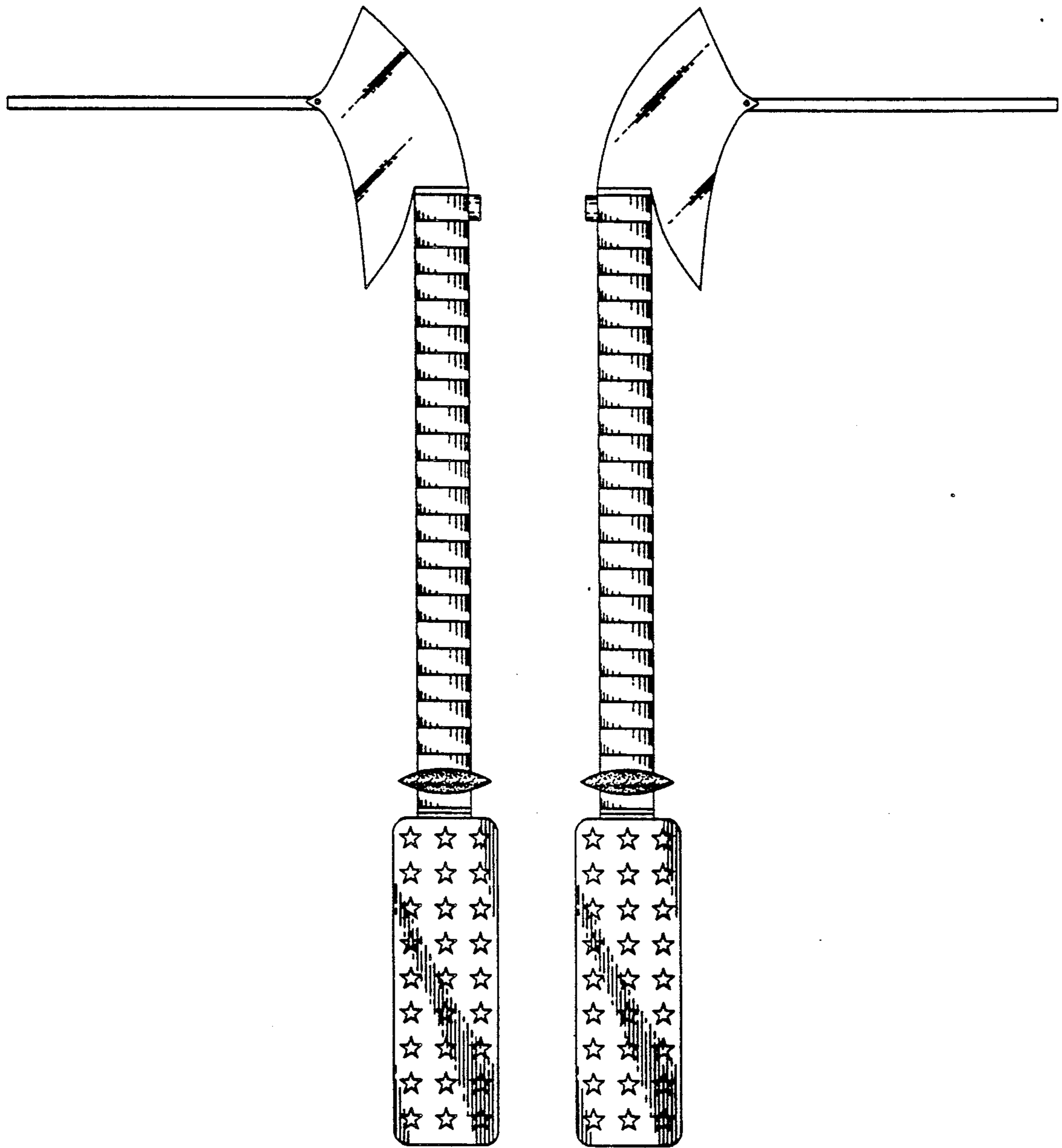


FIG. 5

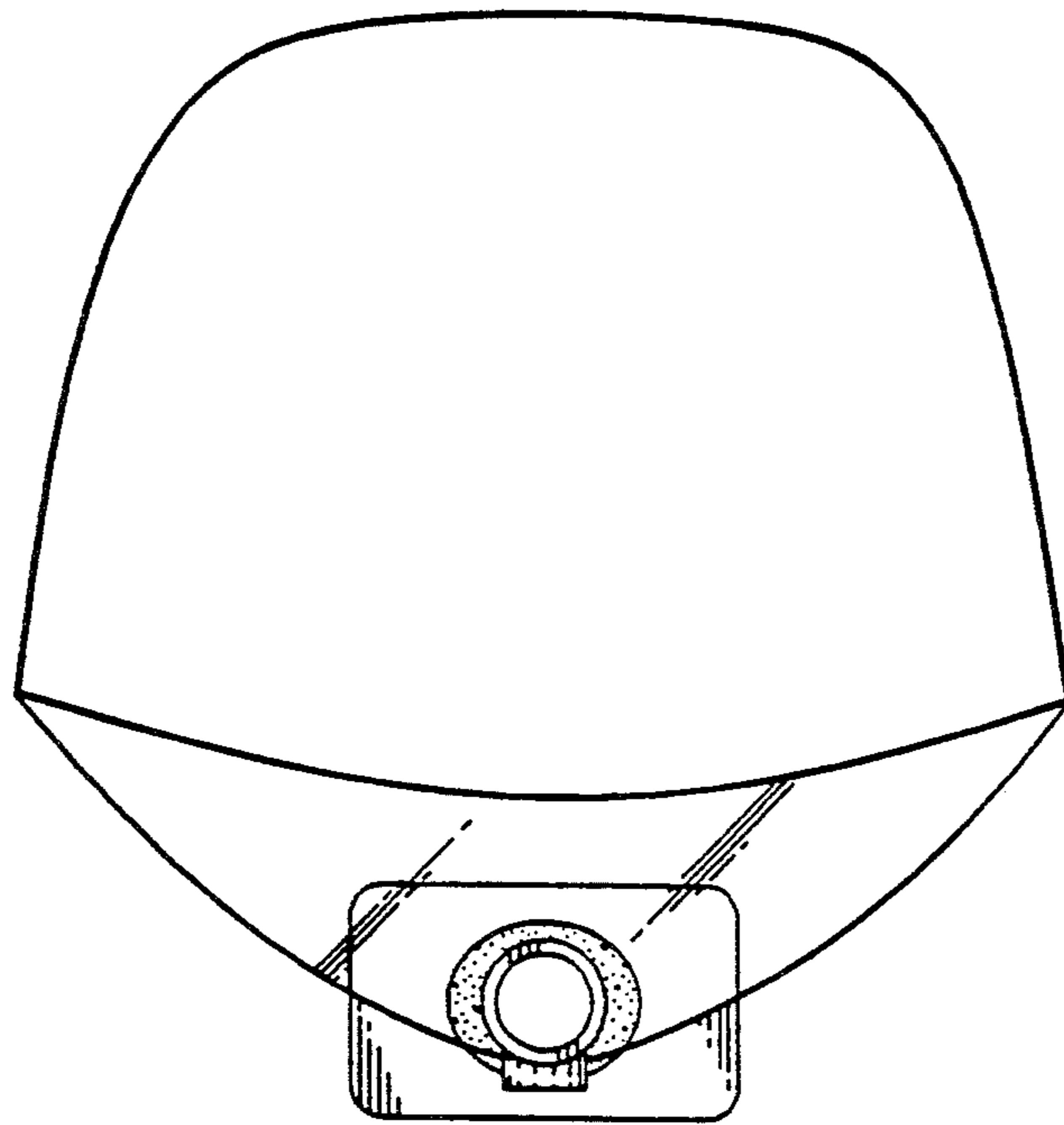


FIG. 6

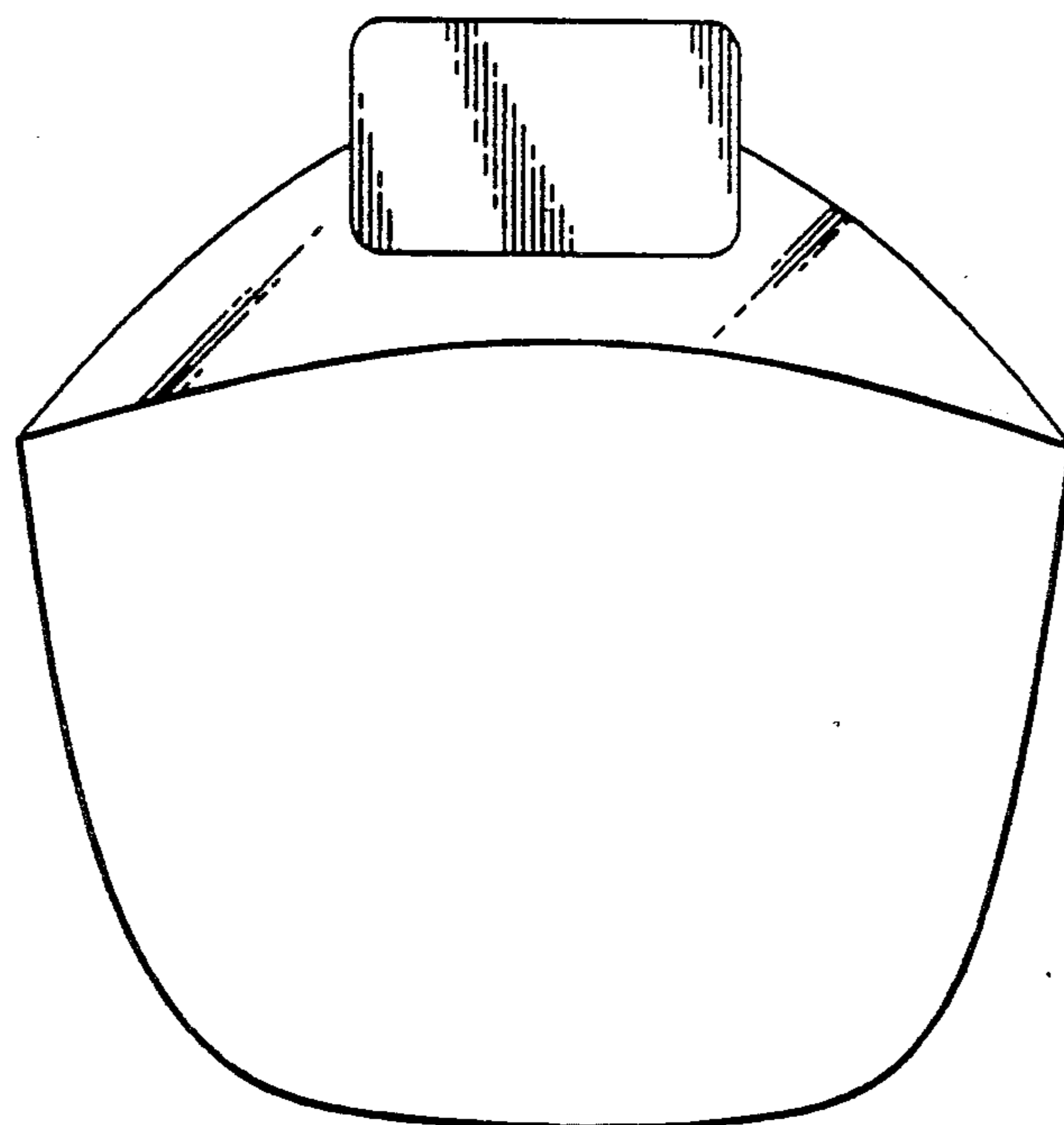


FIG. 7

