



US00D326532S

United States Patent [19]

[11] Patent Number: Des. 326,532

Hume et al.

[45] Date of Patent: ** May 26, 1992

[54] LAMP

[56] References Cited

[76] Inventors: **Roger A. Hume**, 2 Dorset Drive, Melton Mowbray Leicestershire, LE13 0JN; **Richard A. Felstad**, 44 Main Street, Burrough on the Hill, Melton Mowbray, Leicestershire, LE14 2JQ; **Luciano Zucchi**, 47 Rudall Crescent, London NW3 1RR, all of England

U.S. PATENT DOCUMENTS

D. 253,195	10/1979	Henkel et al.	D26/2
2,260,473	10/1941	Minchillo	313/315 X
4,021,659	5/1977	Wiley	362/297
4,316,241	2/1982	Gulliksen	362/361 X
4,420,799	12/1983	Miller	362/309 X

Primary Examiner—Susan J. Lucas
Attorney, Agent, or Firm—Fleit, Jacobson, Cohn, Price, Holman & Stern

[**] Term: 14 Years

[57] CLAIM

[21] Appl. No.: 607,074

The ornamental design for a lamp, as shown and described.

[22] Filed: Oct. 31, 1990

DESCRIPTION

[30] Foreign Application Priority Data

May 1, 1990 [GB] United Kingdom 2006507

[52] U.S. Cl. D26/2

[58] Field of Search D26/2, 3, 24; 362/326, 362/334, 335, 337, 340, 361, 304, 305, 309, 297, 341, 346, 347, 349; 313/493, 113, 315, 318

FIG. 1 is a front elevational view of a lamp showing our new design, the rear being identical except for the omission of the horizontal recess in the base of the lamp; FIG. 2 is a bottom plan view thereof; FIG. 3 is a side elevational view thereof, the opposite side being a mirror image; FIG. 4 is a top plan view thereof; and, FIG. 5 is a bottom, front perspective view thereof.

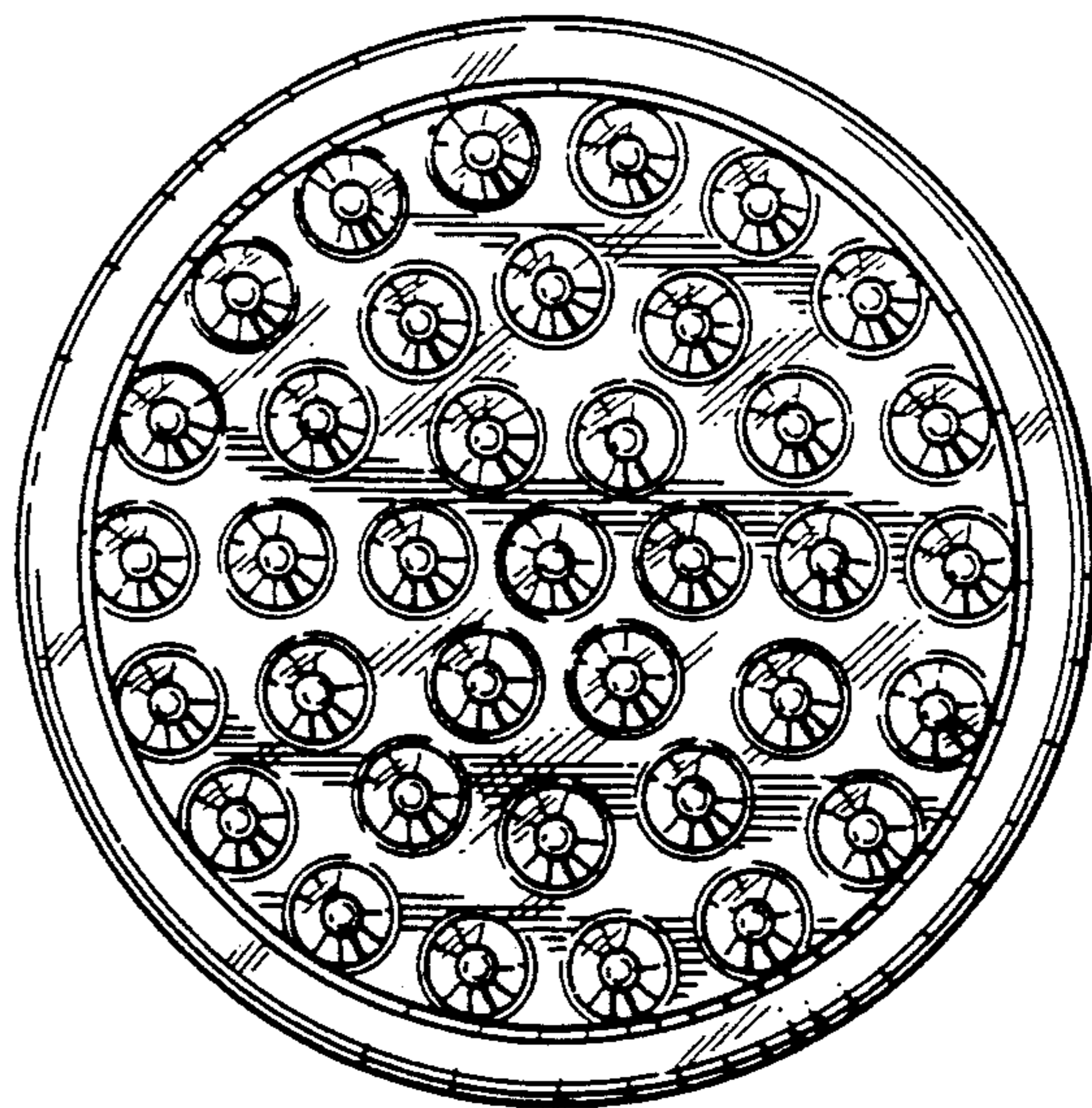
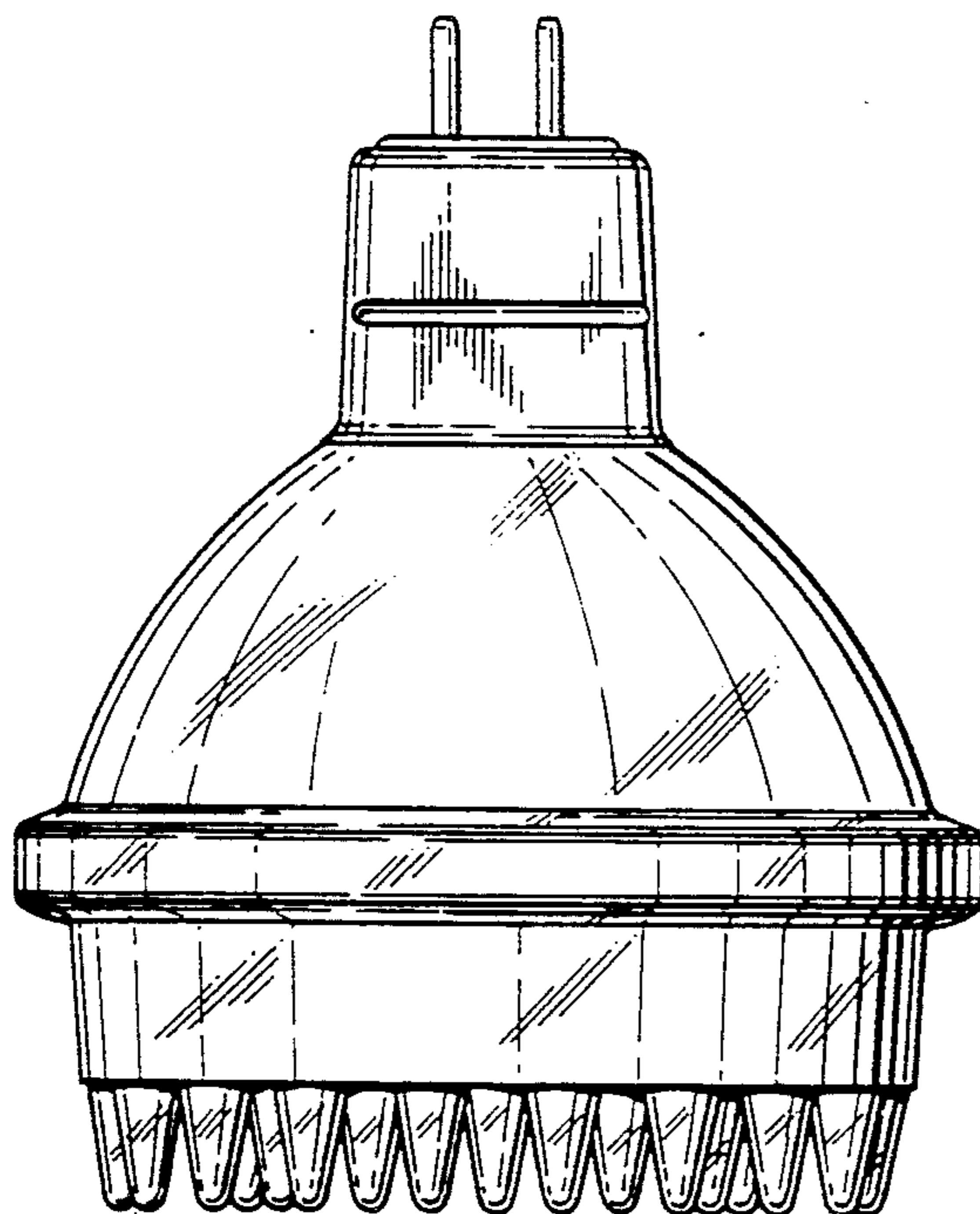


Fig. 1.

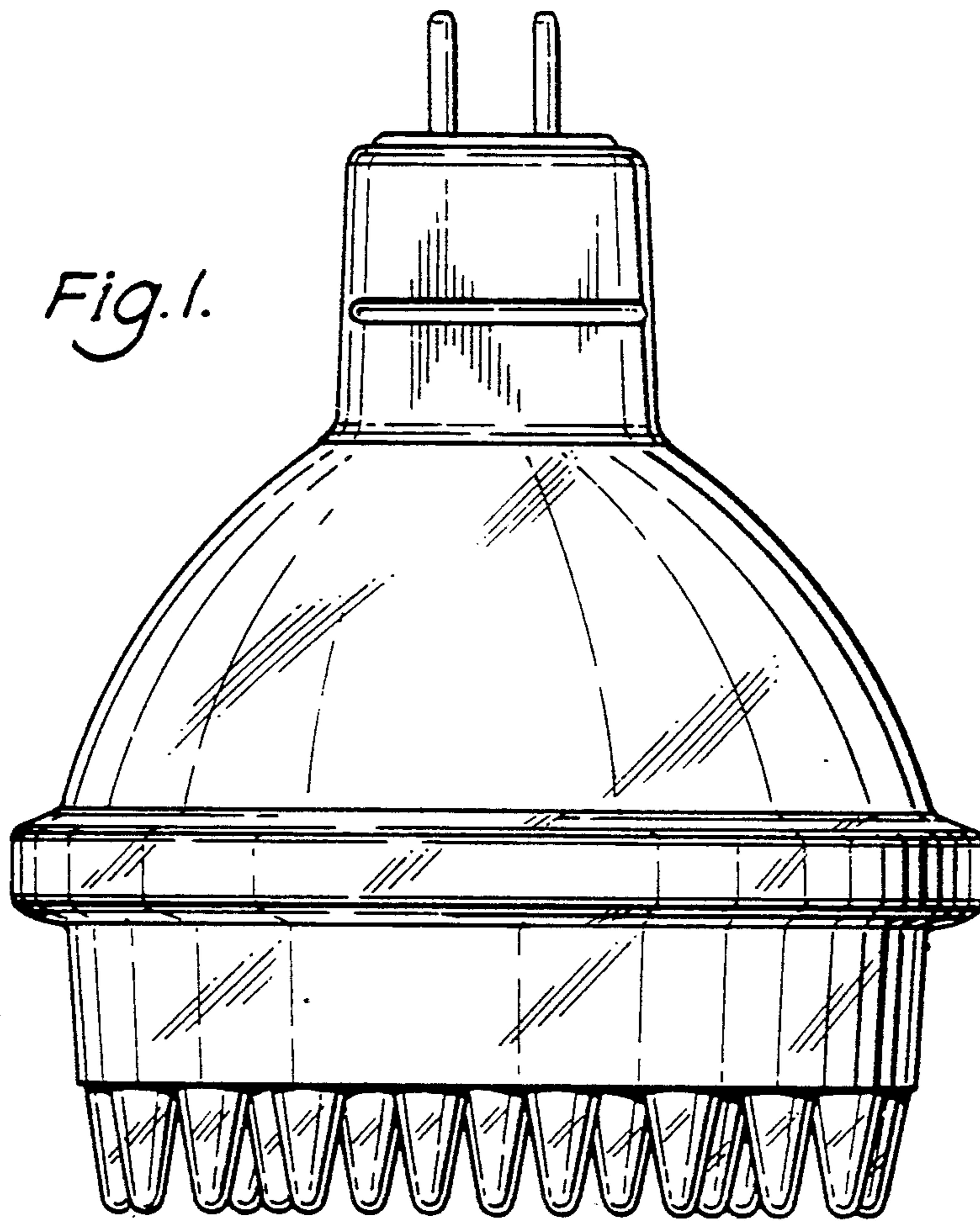


Fig. 2.

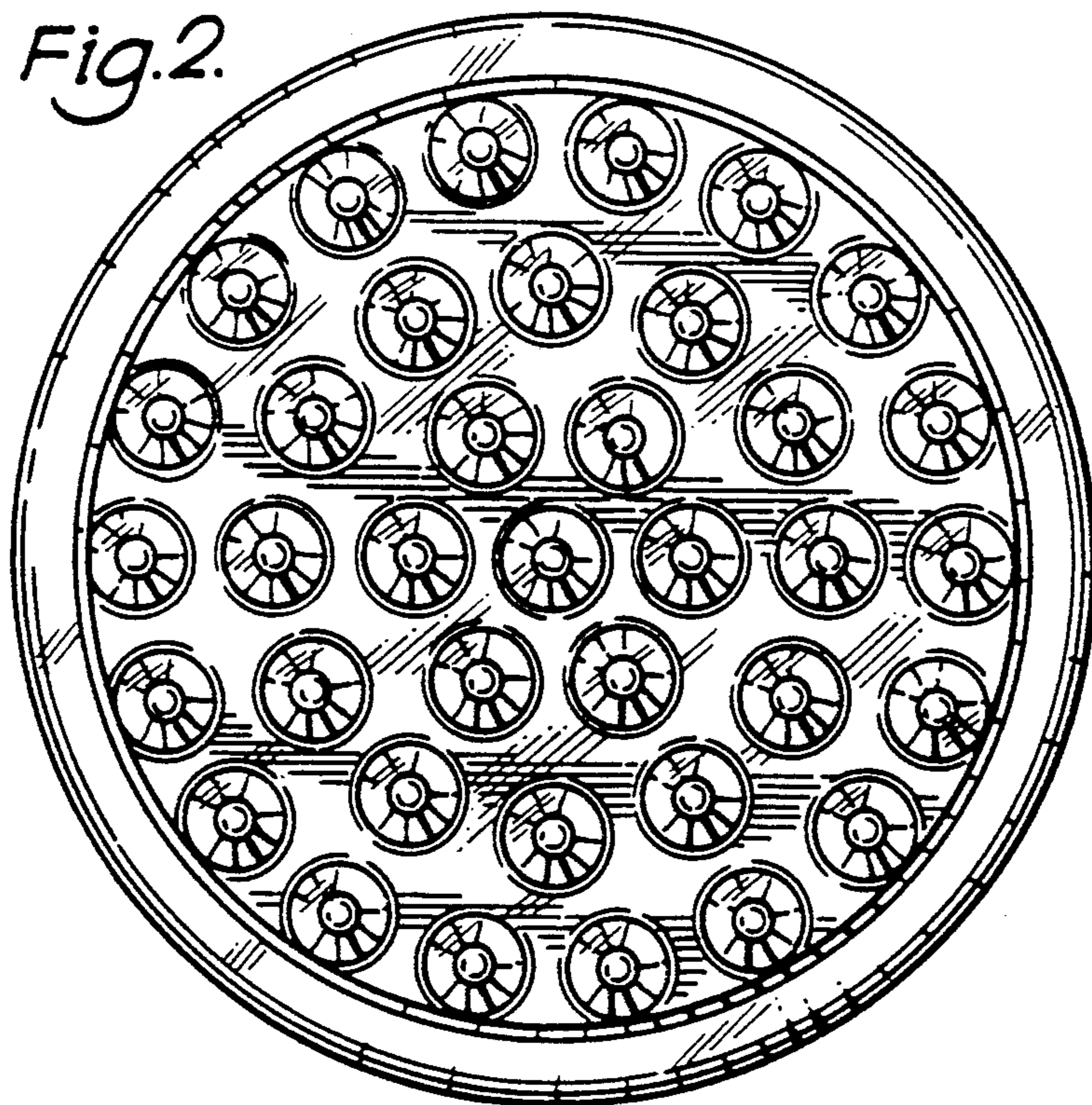


Fig.3.

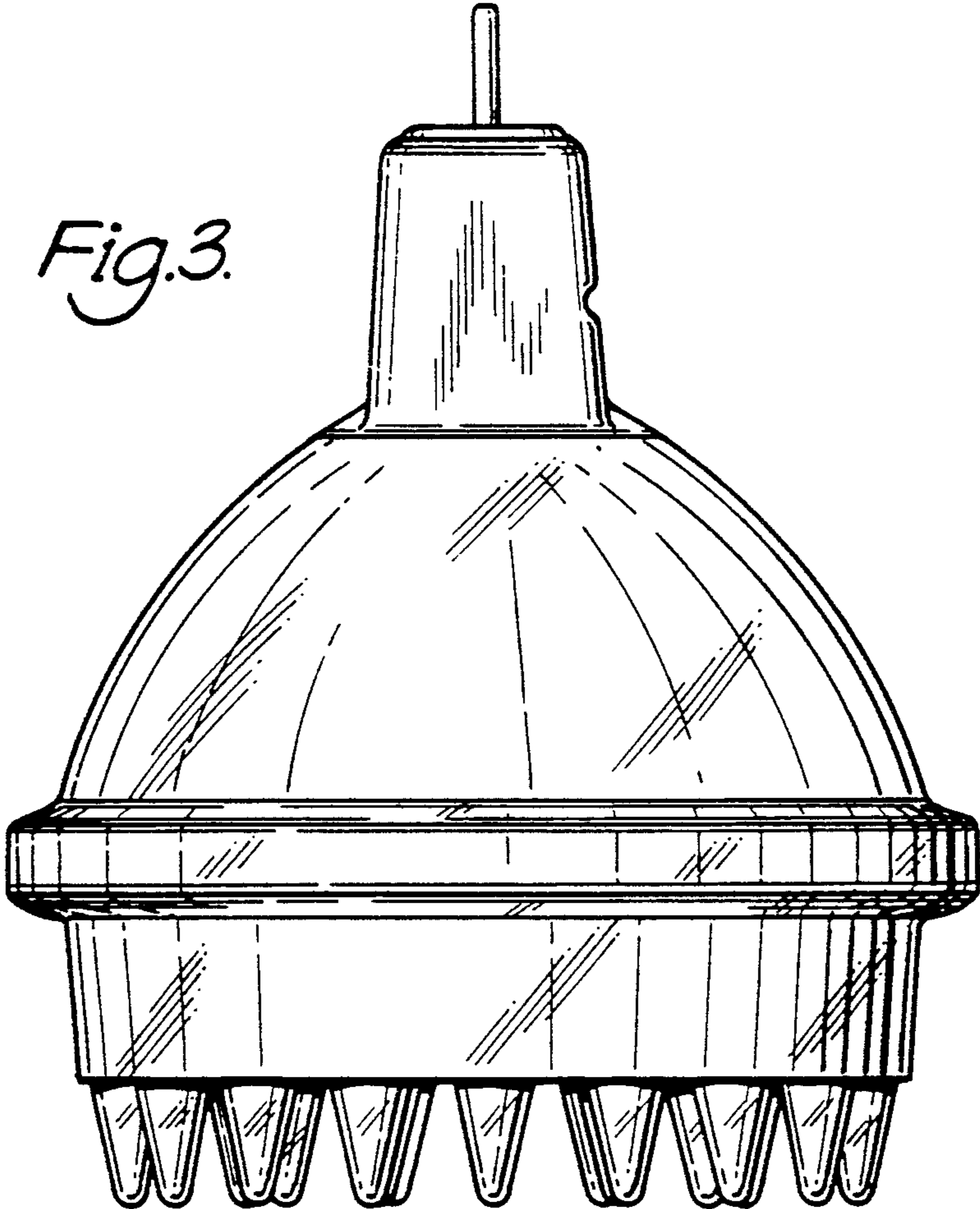


Fig.4.

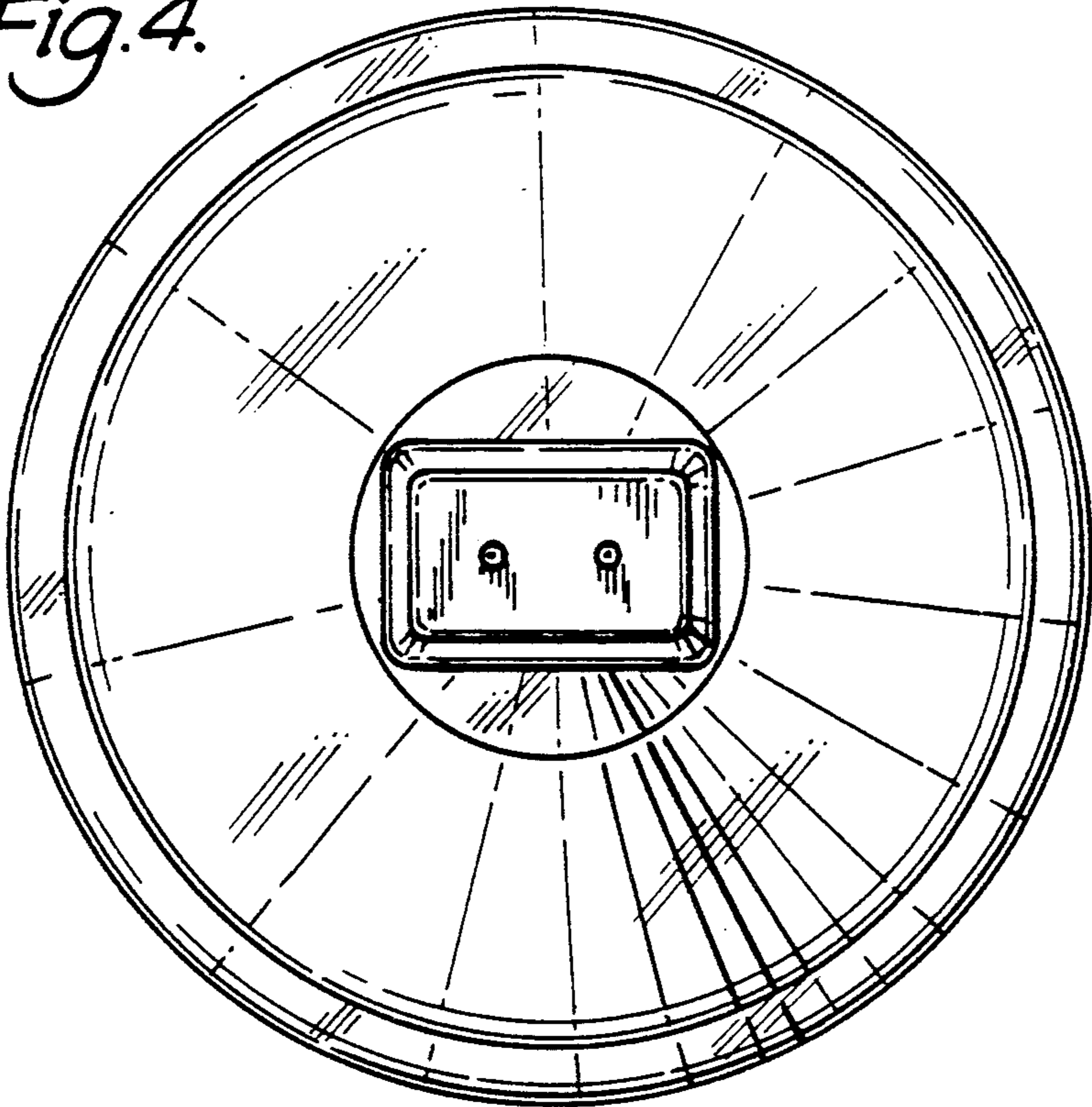


Fig. 5.

