



US00D326530S

# United States Patent [19]

[11] Patent Number: **Des. 326,530**

Lewis

[45] Date of Patent: **\*\* May 26, 1992**

[54] **Z-SHAPED BUILDING BLOCK**

*Attorney, Agent, or Firm*—Price, Heneveld, Cooper, DeWitt & Litton

[76] Inventor: **John F. Lewis**, P.O. Box 363, Quebec J0P 1J0, Canada

[57] **CLAIM**

[\*\*] Term: **14 Years**

The ornamental design for a z-shaped building block, as shown and described.

[21] Appl. No.: **410,535**

**DESCRIPTION**

[22] Filed: **Sep. 21, 1989**

[30] **Foreign Application Priority Data**

Mar. 22, 1989 [CA] Canada ..... 22-03-89-14

[52] U.S. Cl. .... **D25/113**

[58] Field of Search ..... **D25/112-118, D25/131, 138, 151, 152, 156; D21/108; 52/574, 575, 590, 595, 596, 601, 605, 608, 609, 611, 314, 592; 404/17, 19, 20, 28-29, 34, 36, 39-41**

FIG. 1 is a top right side perspective view of a z-shaped building block showing my new design;  
FIG. 2 is a bottom right side perspective view thereof;  
FIG. 3 is a left side elevational view thereof;  
FIG. 4 is a top right side perspective view of a second embodiment of a z-shaped building block showing my new design;  
FIG. 5 is a bottom right side perspective view thereof;  
FIG. 6 is a left side elevational view thereof;  
FIG. 7 is a top right side perspective view of a third embodiment of a z-shaped building block showing my new design;  
FIG. 8 is a bottom right side perspective view thereof;  
FIG. 9 is a left side elevational view thereof;  
FIG. 10 is a top right side perspective view of a fourth embodiment of a z-shaped building block showing my new design;  
FIG. 11 is a bottom right side perspective view thereof;  
FIG. 12 is a left side elevational view thereof;  
FIG. 13 is a top right side perspective view of a fifth embodiment of a z-shaped building block showing my new design;  
FIG. 14 is a bottom right side perspective view thereof;  
and,  
FIG. 15 is a left side elevational view thereof.

[56] **References Cited**

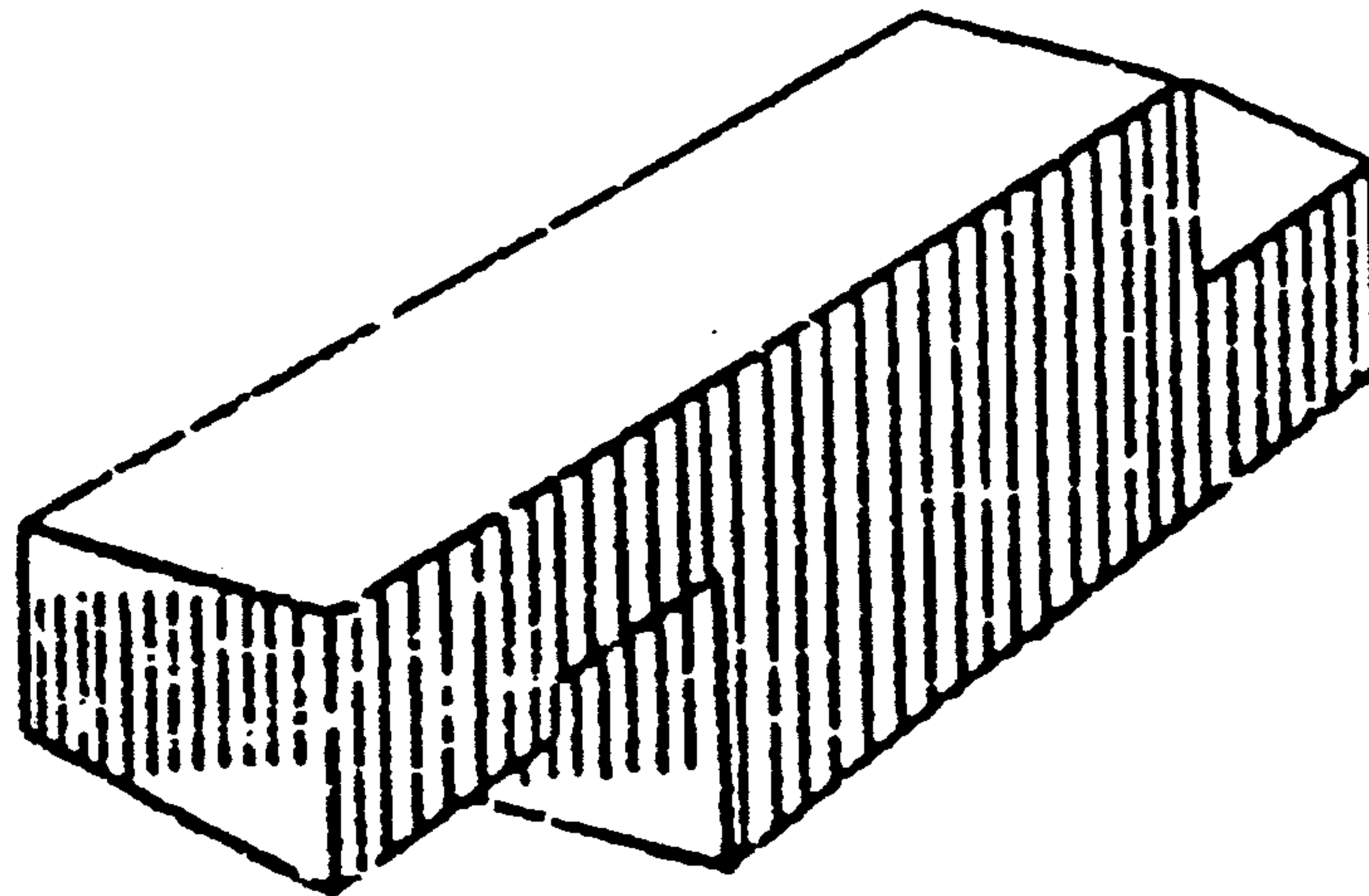
**U.S. PATENT DOCUMENTS**

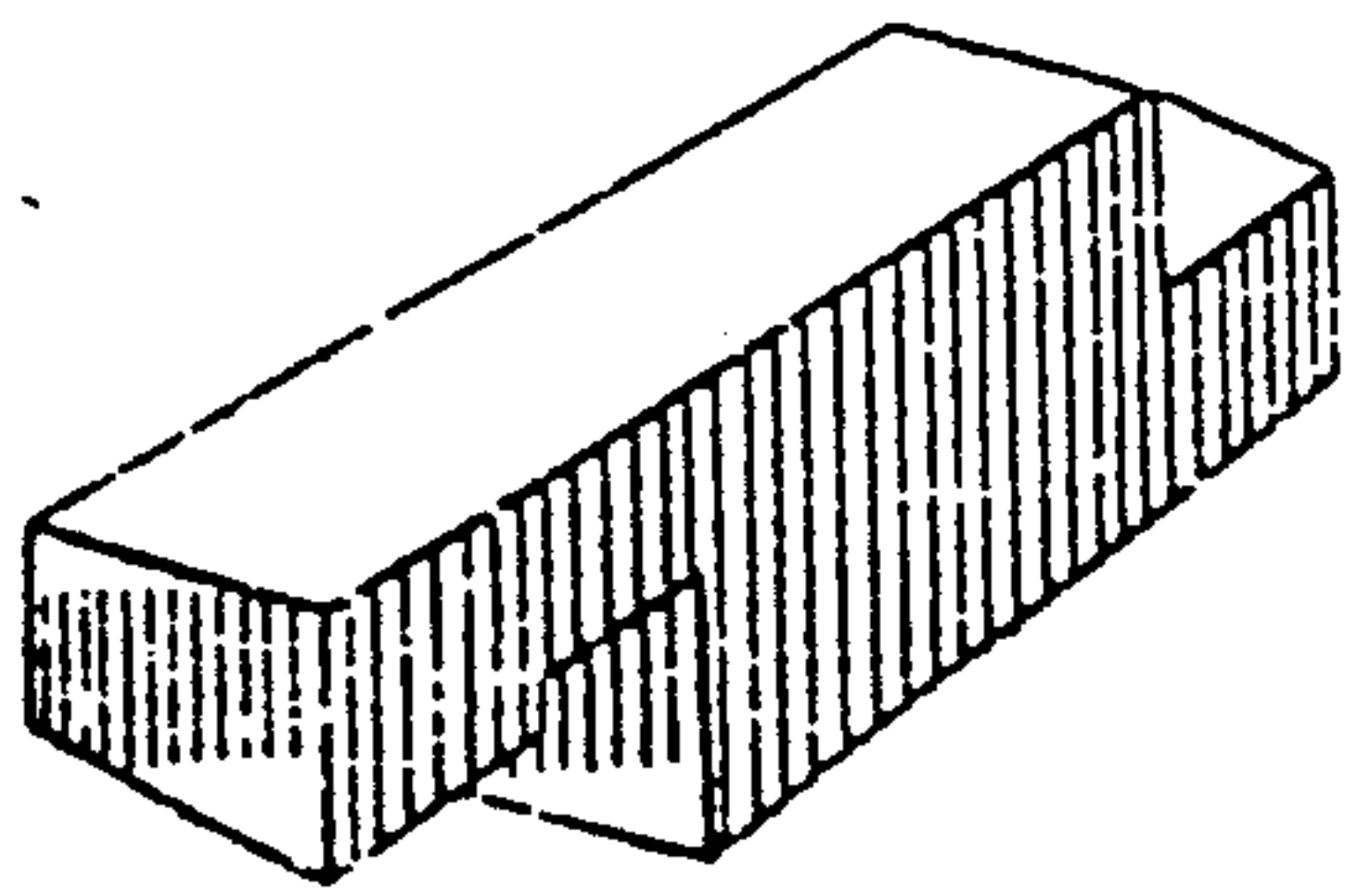
106,651	8/1870	Beidler	404/41
140,835	7/1873	Kilburn	404/41
338,490	3/1886	Cowan	D25/113
3,196,582	7/1965	Rosenfeld	D24/113
3,546,792	12/1970	Sherman	D25/113

**FOREIGN PATENT DOCUMENTS**

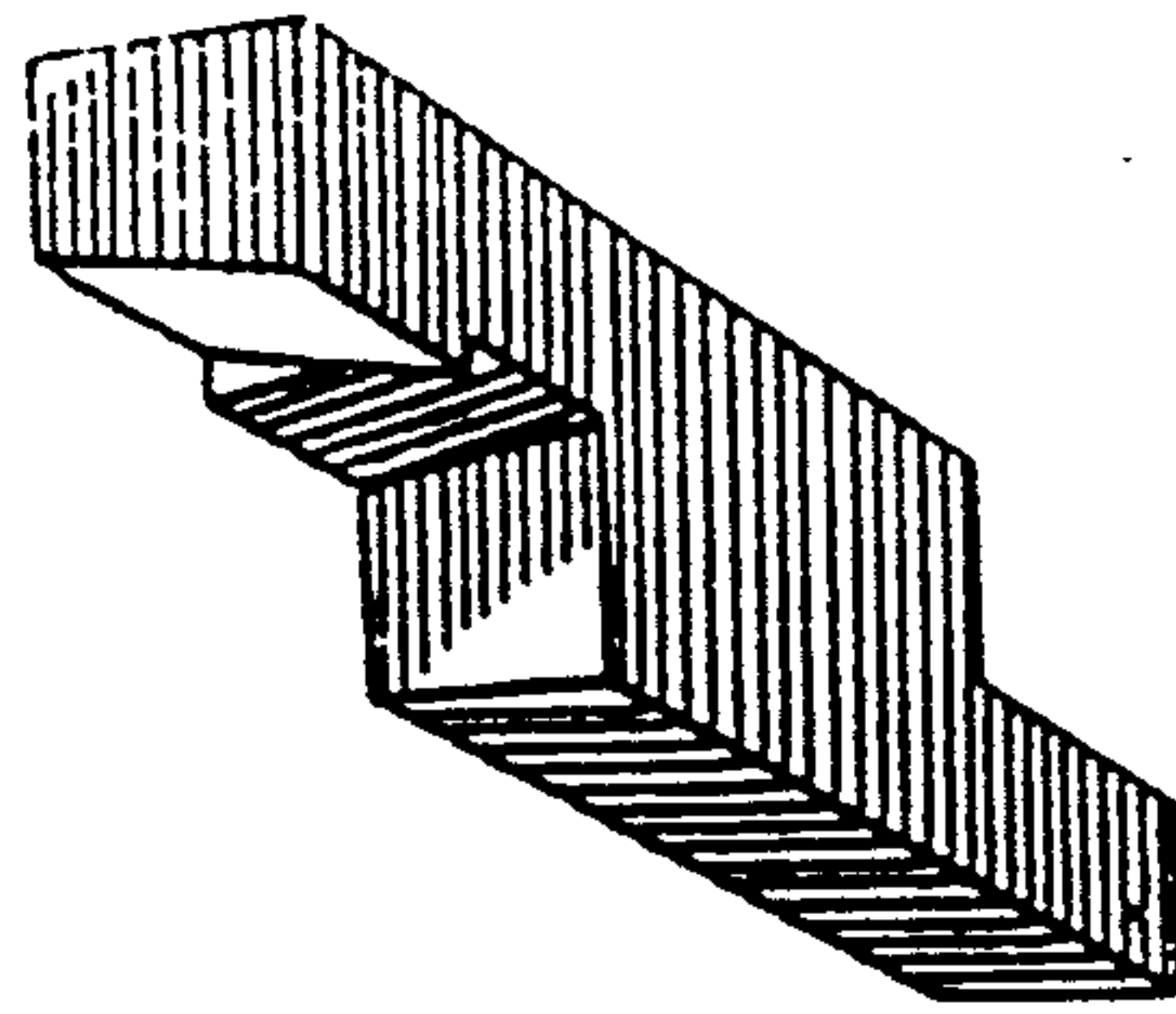
65266	9/1949	Netherlands	D25/138
-------	--------	-------------	---------

*Primary Examiner*—A. Hugo Word  
*Assistant Examiner*—Doris Clark

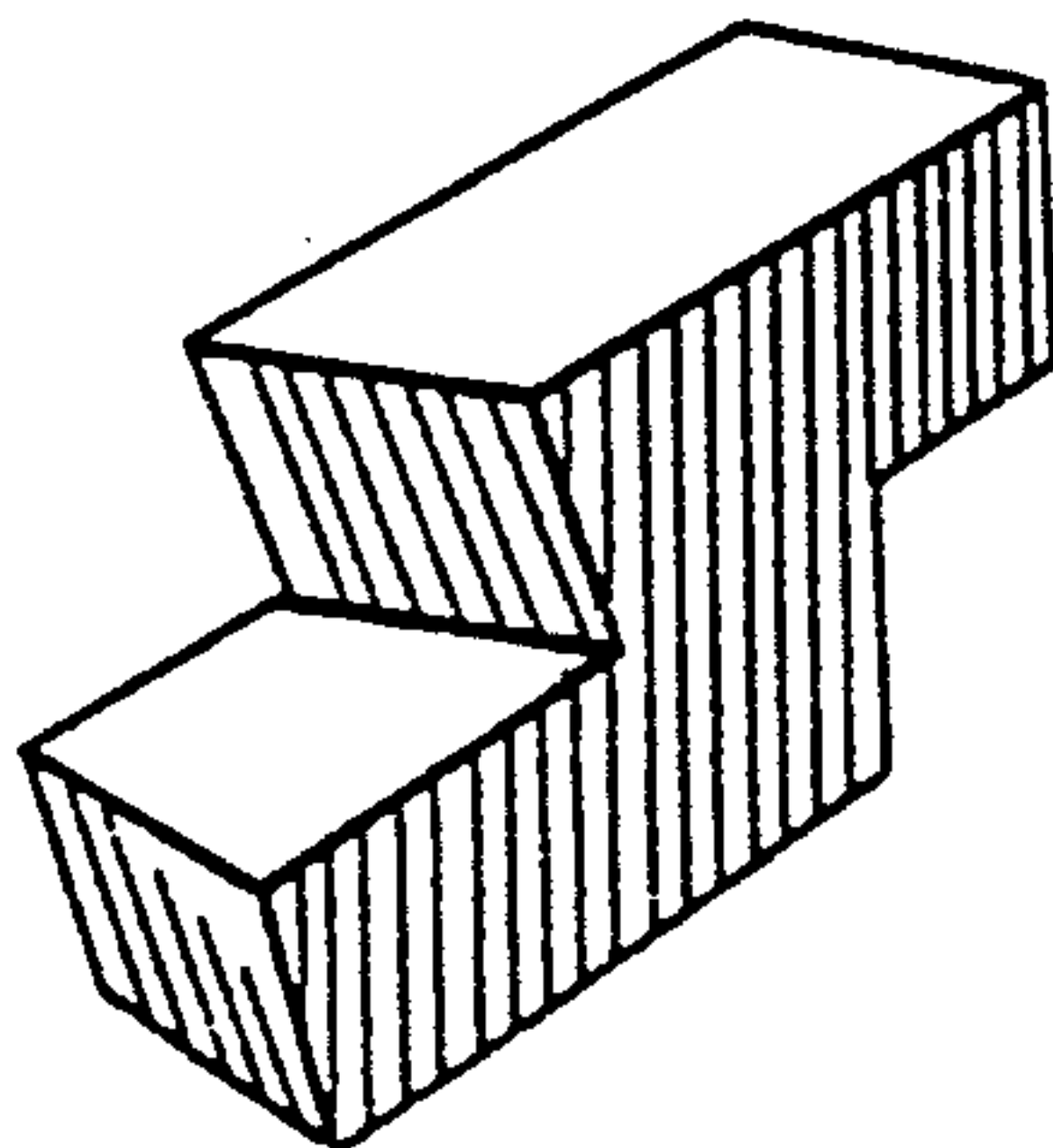




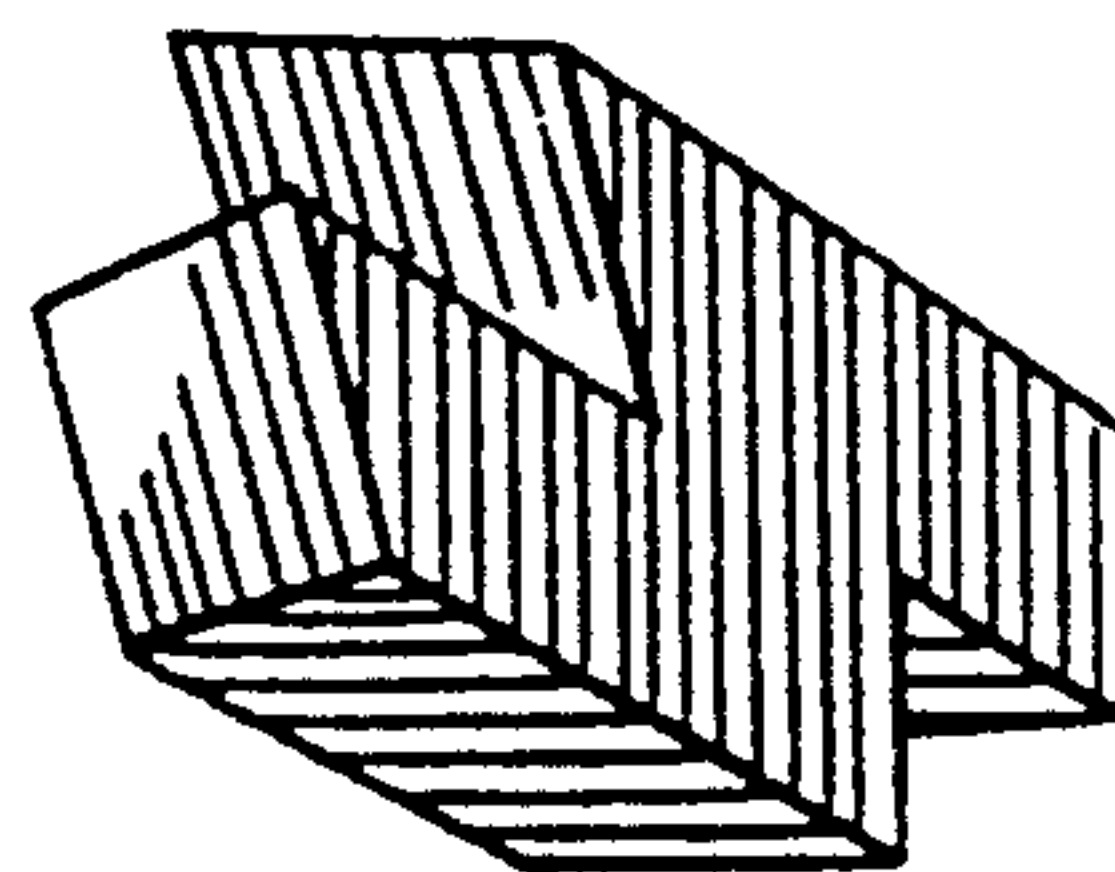
**FIG 1**



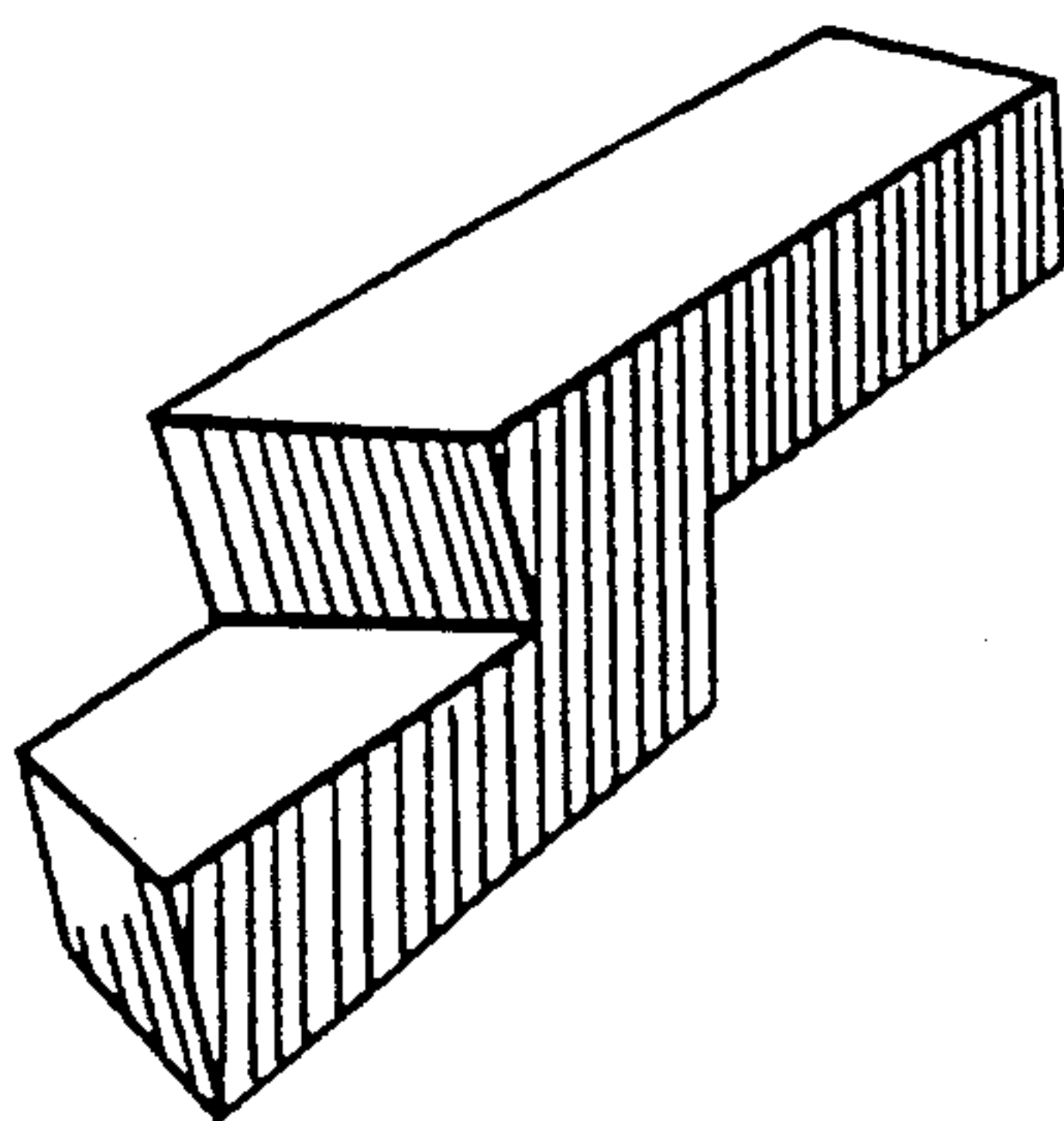
**FIG 2**



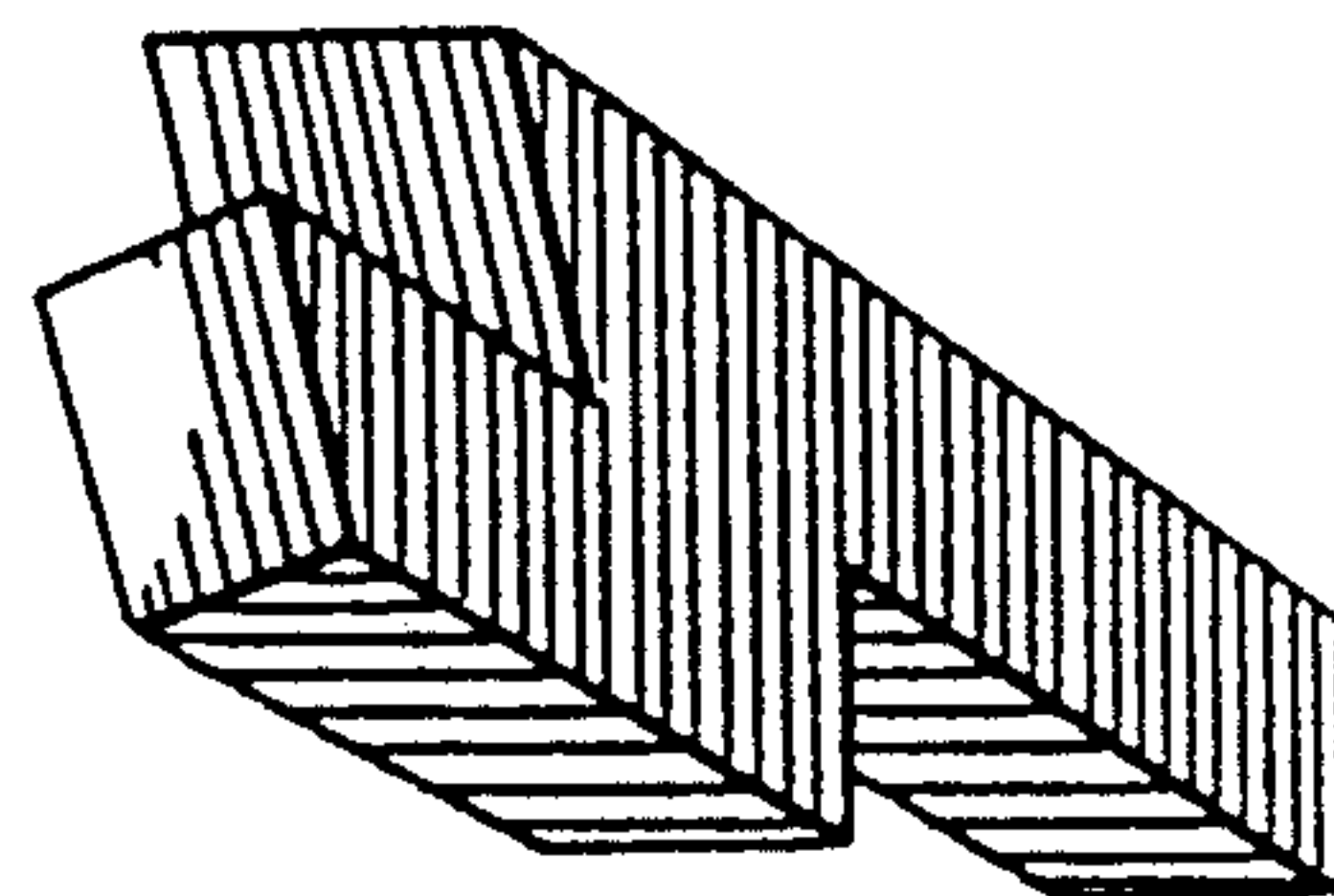
**FIG 4**



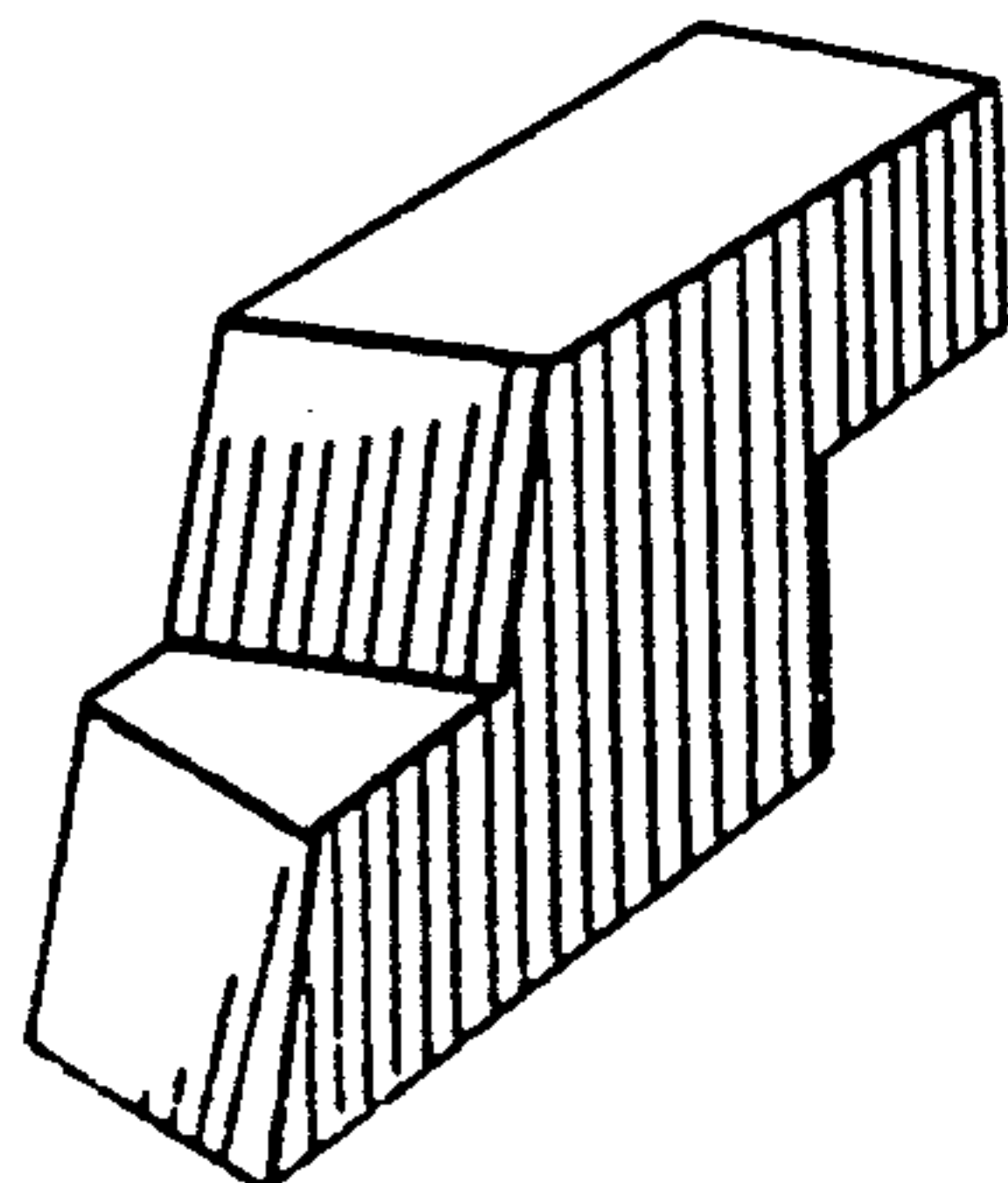
**FIG 5**



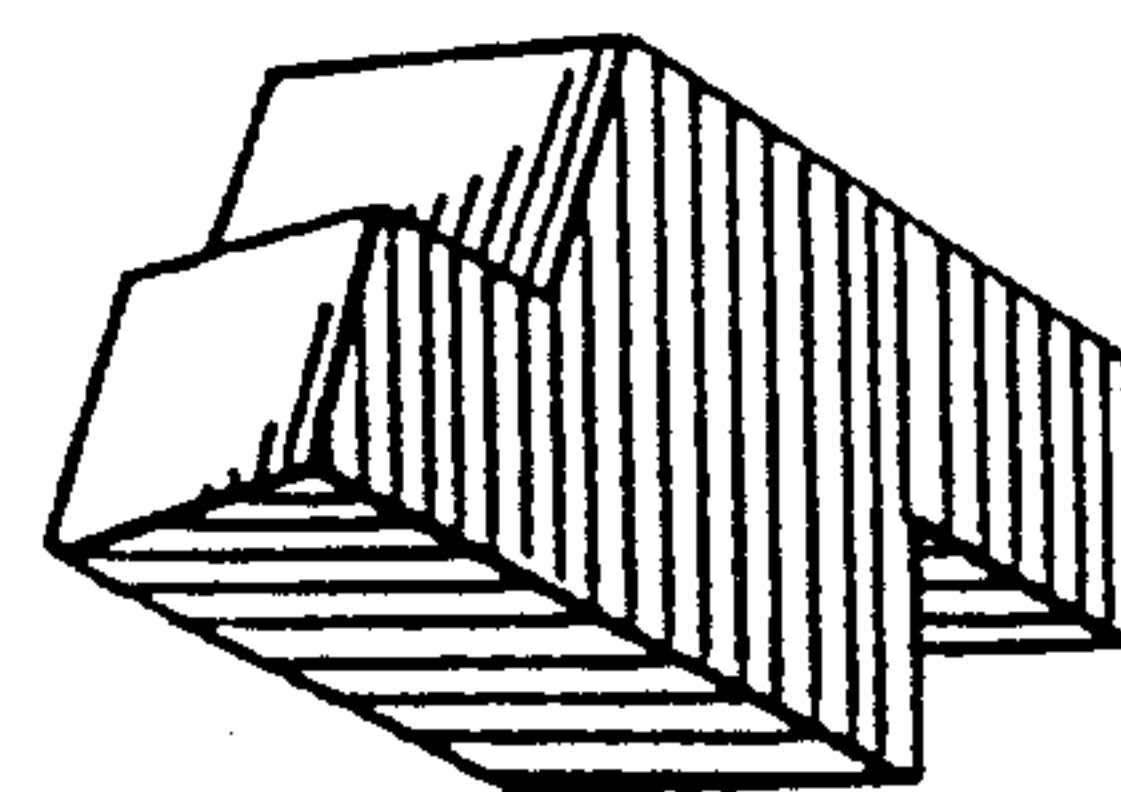
**FIG 7**



**FIG 8**



**FIG 10**



**FIG 11**

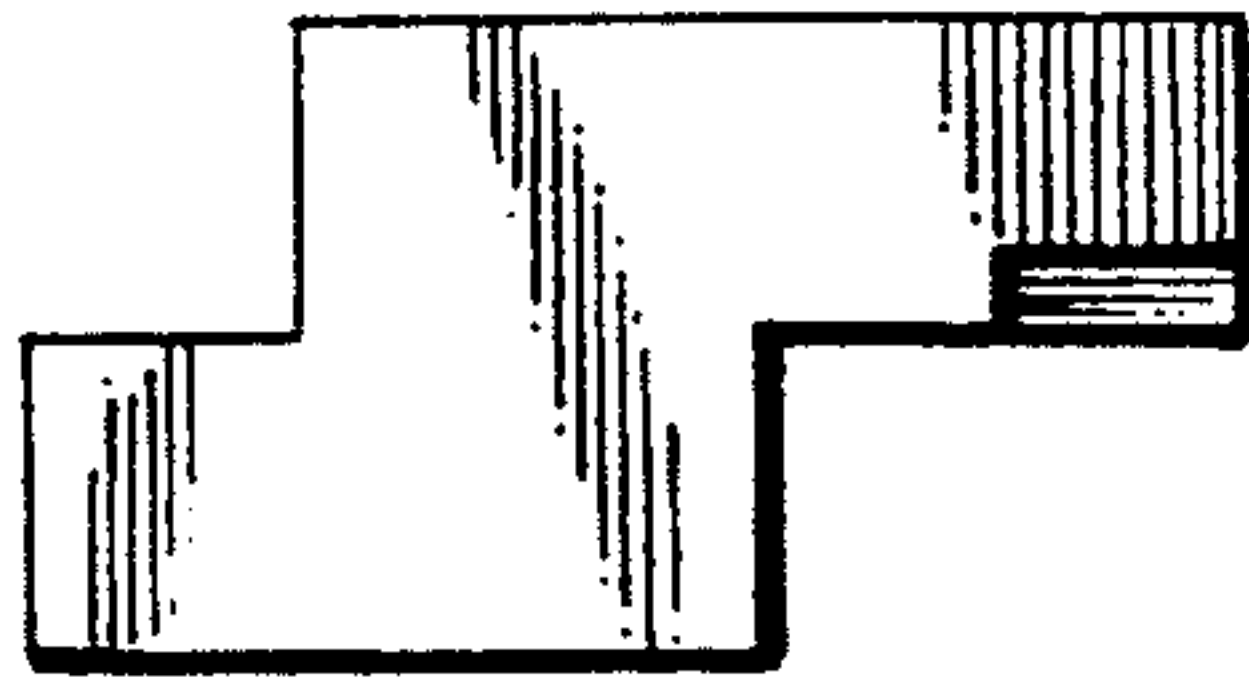


FIG. 3

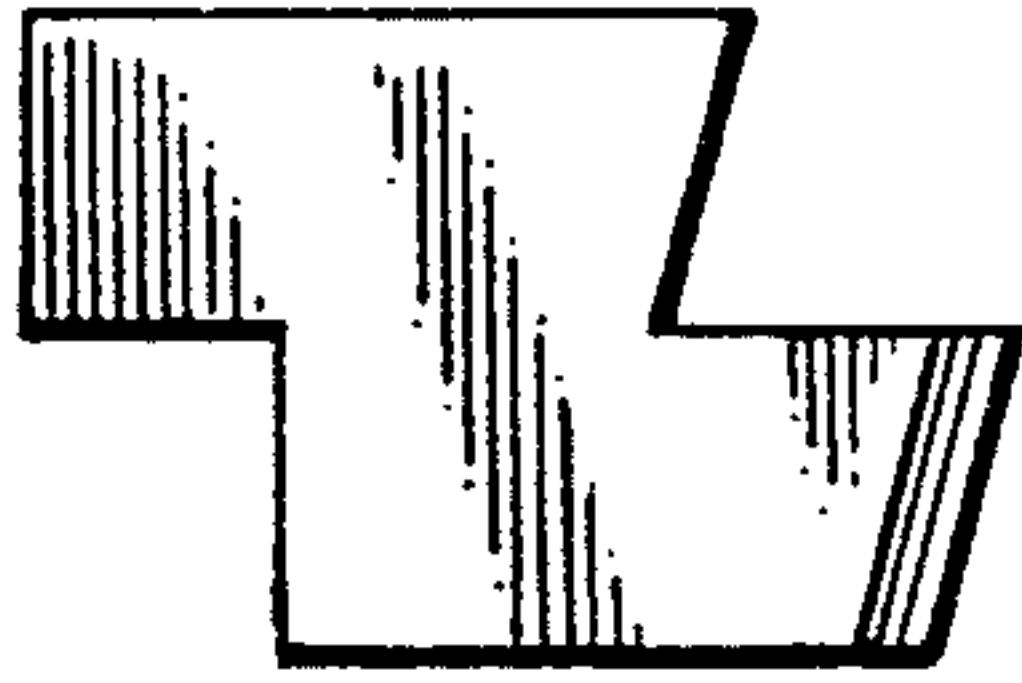


FIG. 6

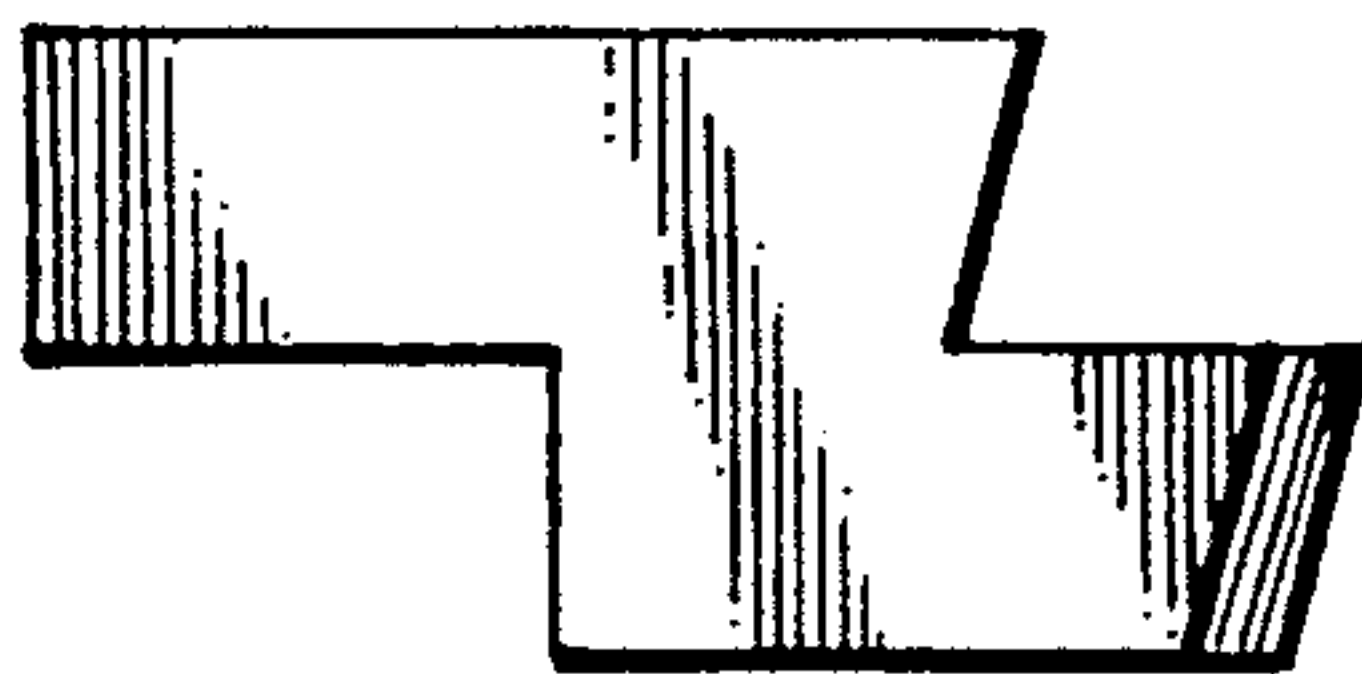


FIG. 9

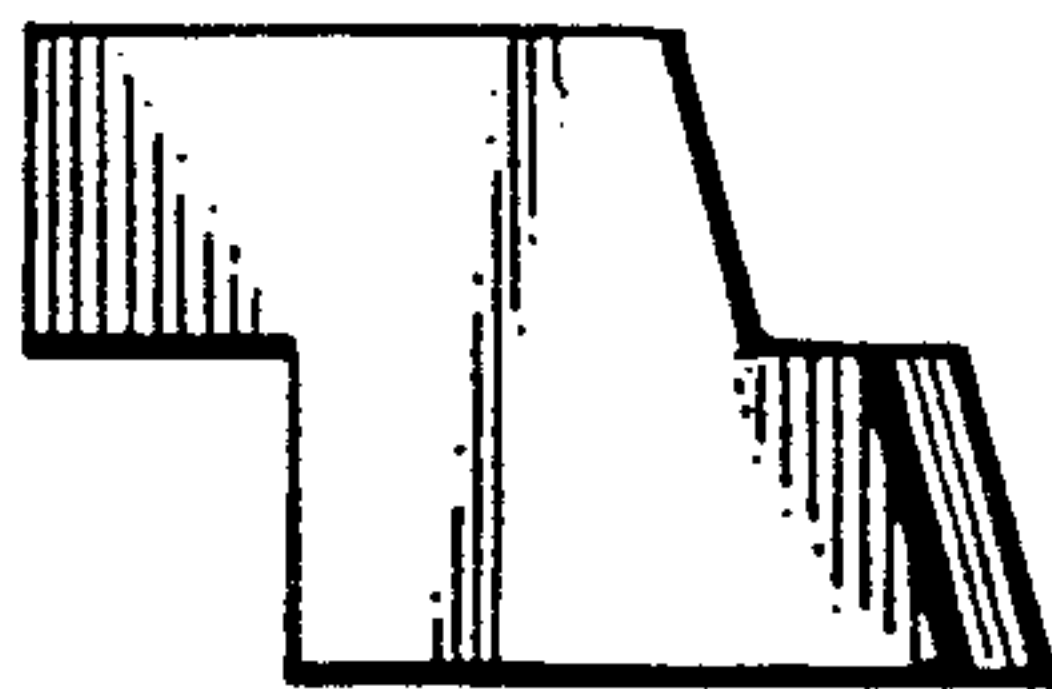


FIG. 12

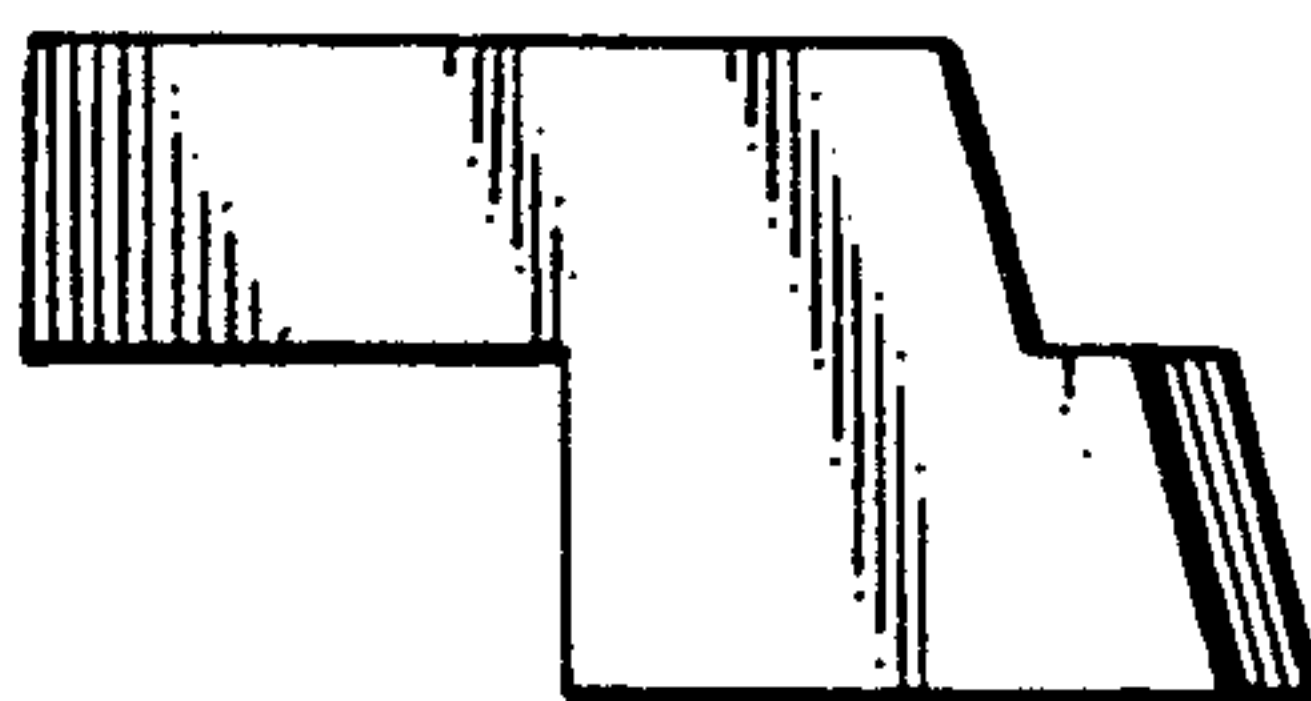
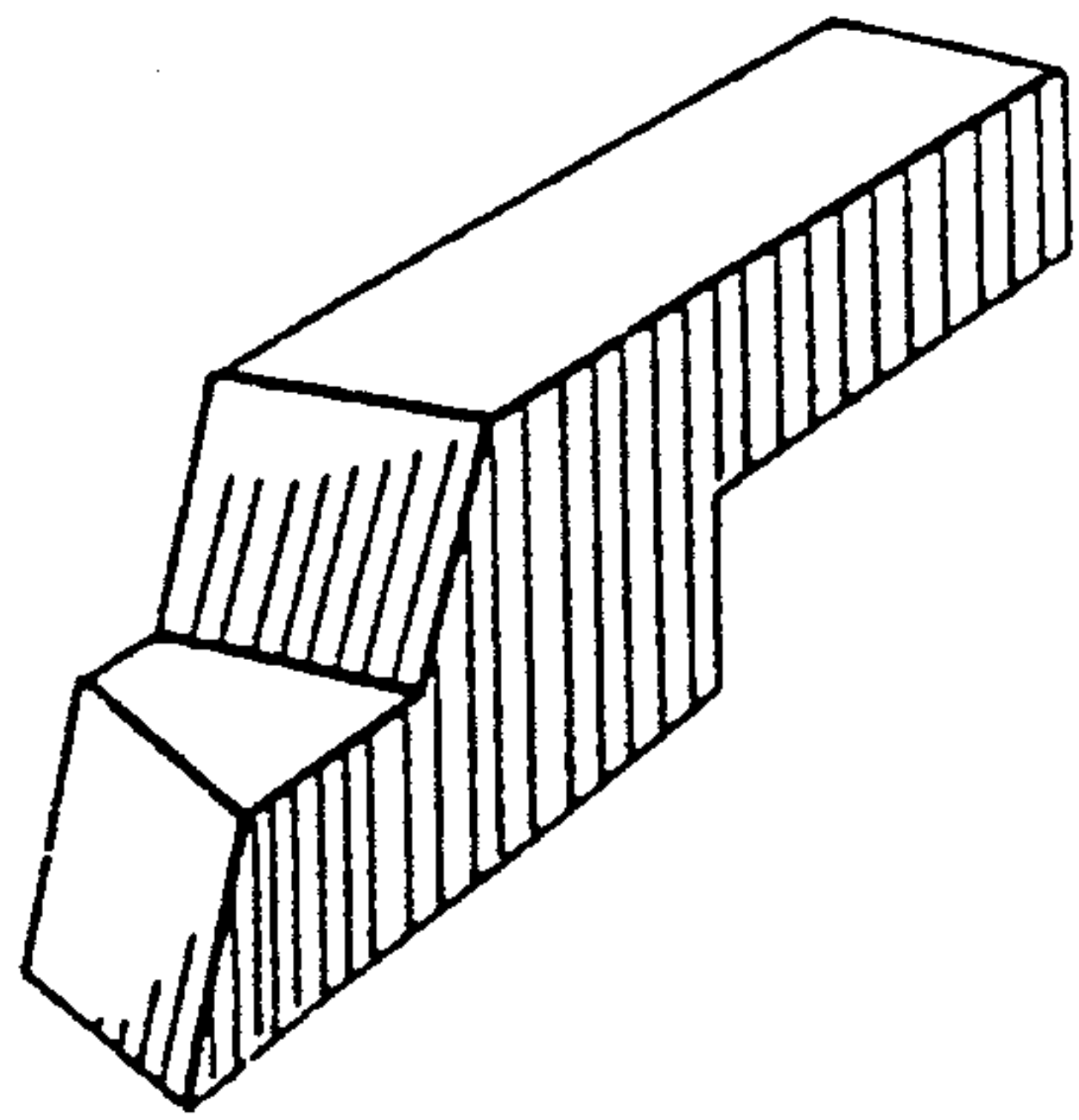
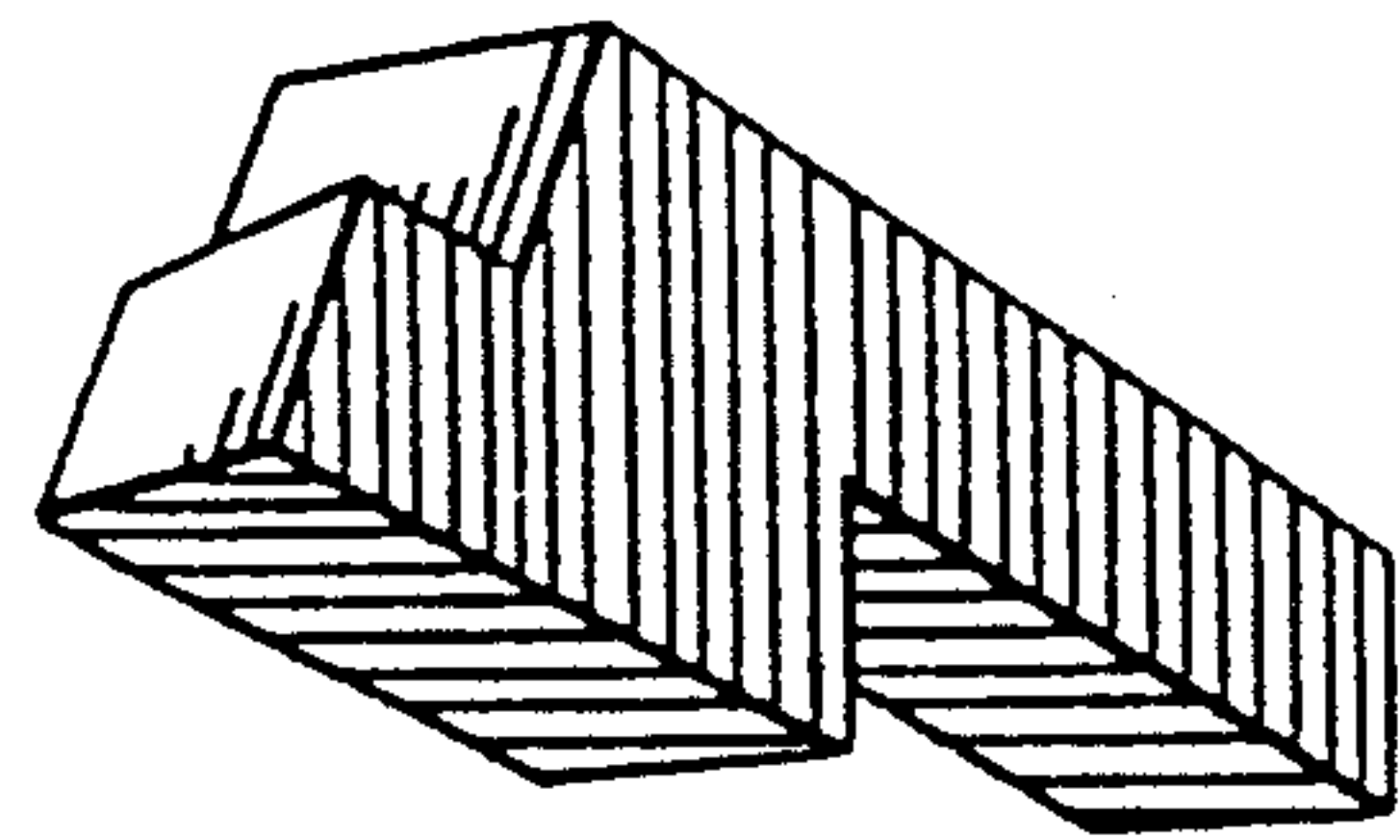


FIG. 15



**FIG 13**



**FIG 14**