



US00D326526S

United States Patent [19]
Bucher

[11] **Patent Number: Des. 326,526**
[45] **Date of Patent: ** May 26, 1992**

[54] **PAIN THERAPY INSTRUMENT**

[75] **Inventor: Heinz Bucher, Rottweil, Fed. Rep. of Germany**

[73] **Assignee: Metronic Electronic GmbH, Fed. Rep. of Germany**

[**] **Term: 14 Years**

[21] **Appl. No.: 503,619**

[22] **Filed: Apr. 3, 1990**

[30] **Foreign Application Priority Data**

Oct. 3, 1989 [DE] Fed. Rep. of Germany M8906872.6

[52] **U.S. Cl. D24/214; D24/200; D24/215**

[58] **Field of Search D24/200, 214, 215; 128/24.1, 24.2, 24.3, 24.4, 24.5, 41, 421**

[56] **References Cited**

U.S. PATENT DOCUMENTS

- D. 228,473 9/1973 Koshido et al. D24/214
- D. 311,955 11/1990 Lie D24/214 X
- D. 315,408 3/1991 Duk D24/214 X
- D. 315,958 4/1991 Castel et al. D24/214

FOREIGN PATENT DOCUMENTS

3922544 7/1990 Fed. Rep. of Germany .

OTHER PUBLICATIONS

Hong Kong Enterprise ©, Jul. 1988, The Magic Massage, p. 170.

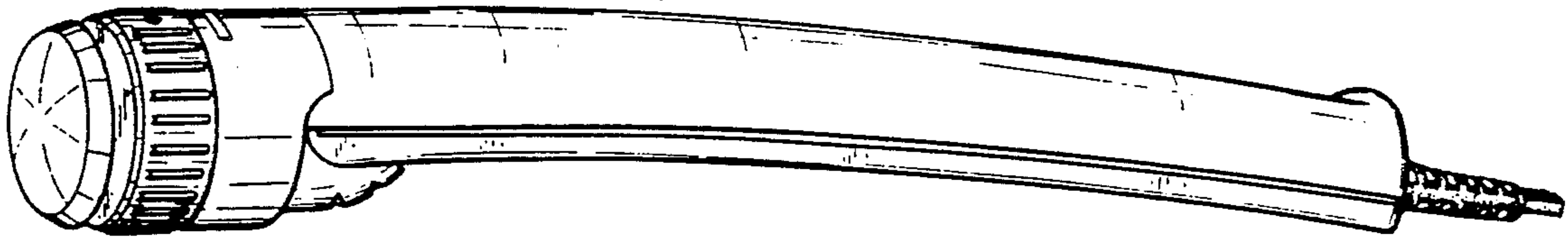
Primary Examiner—Stella Reid
Attorney, Agent, or Firm—Speckman & Pauley

[57] **CLAIM**

The ornamental design for a pain therapy instrument, as shown and described.

DESCRIPTION

FIG. 1 is a side elevational view of a pain therapy instrument, showing my new design;
 FIG. 2 is a side elevational view thereof, opposite that shown in FIG. 1;
 FIG. 3 is a front elevational view thereof;
 FIG. 4 is a rear elevational view thereof;
 FIG. 5 is a top plan view thereof;
 FIG. 6 is a bottom plan view thereof;
 FIG. 7 is a perspective view thereof; and,
 FIG. 8 is a perspective view thereof, in an alternate position.



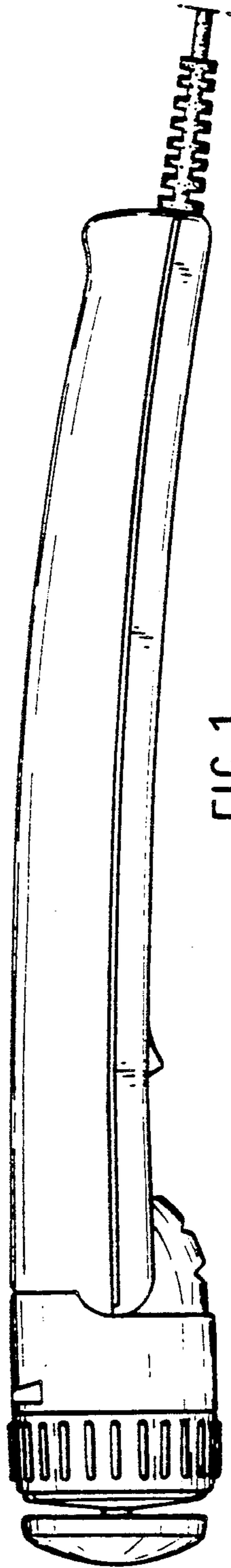


FIG. 1

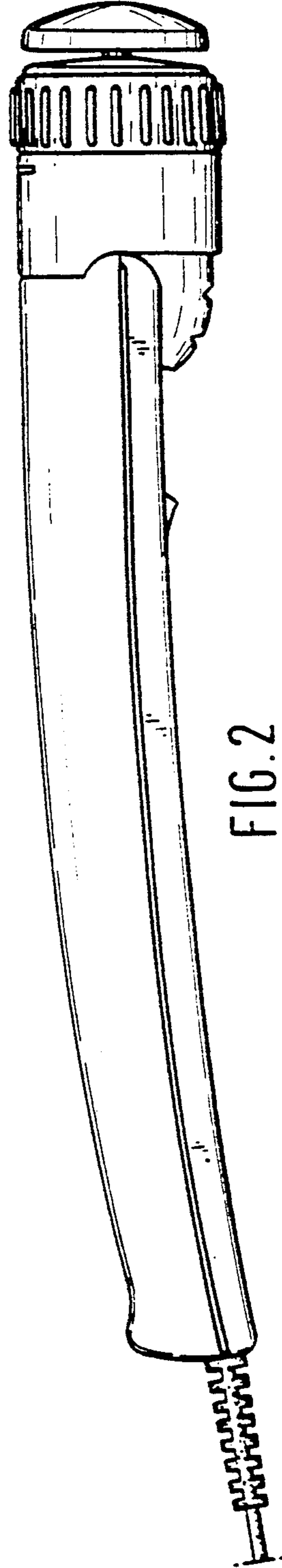


FIG. 2

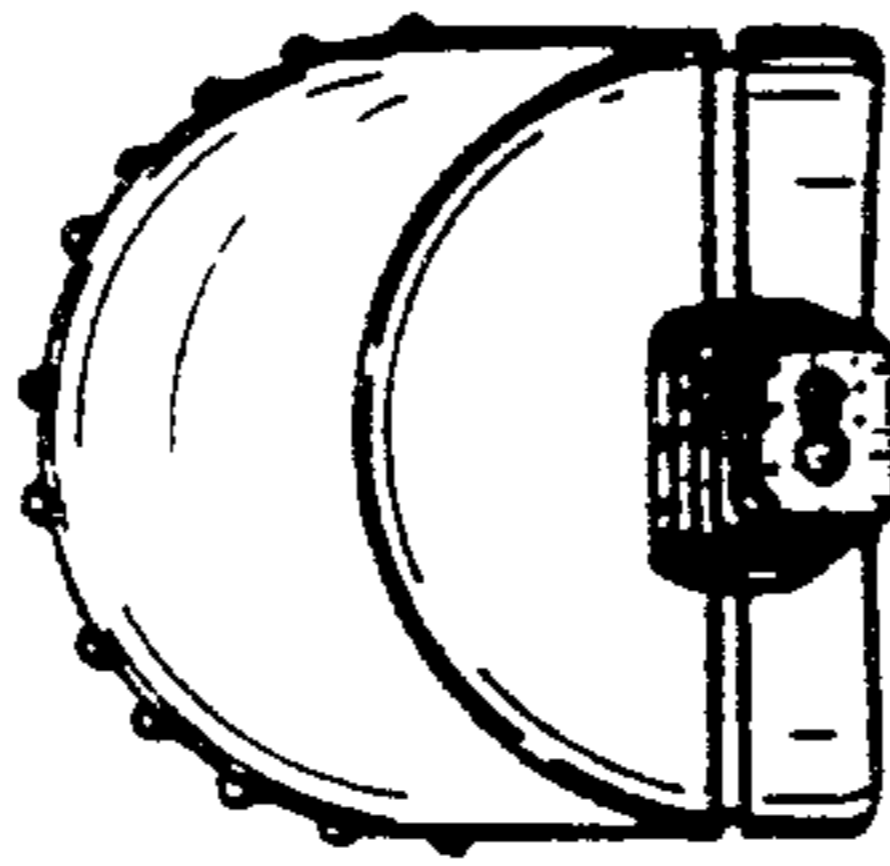


FIG. 4

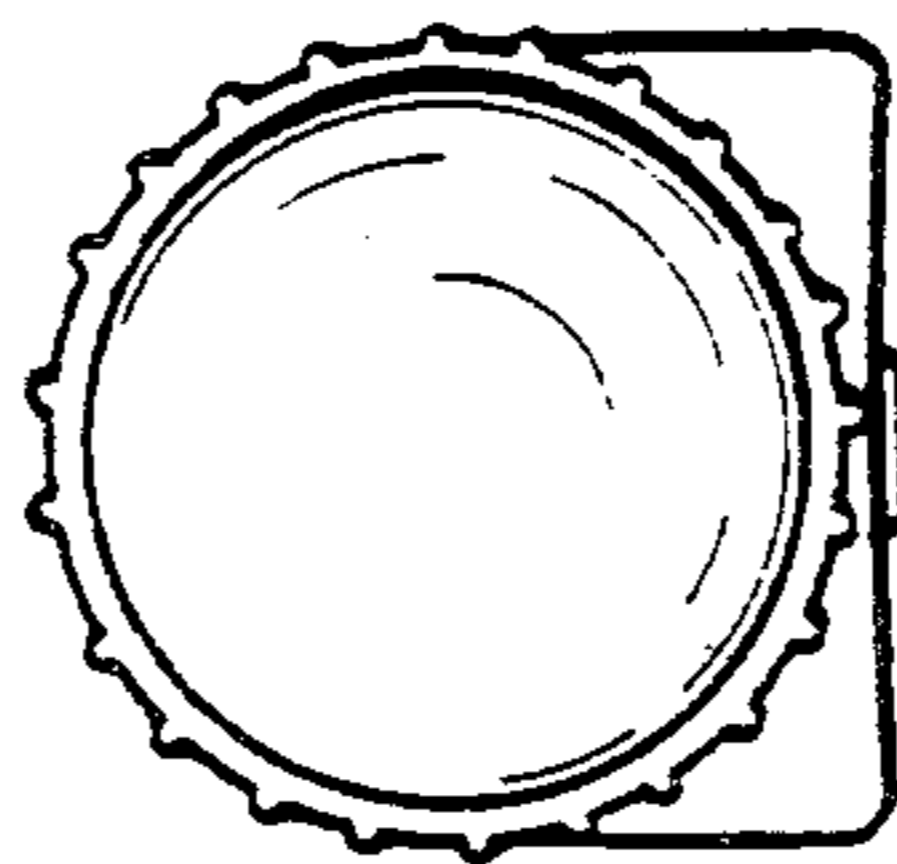


FIG. 3

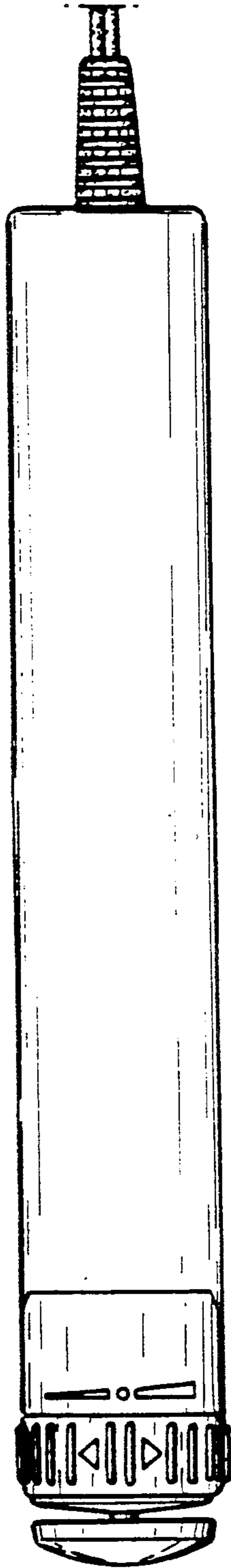


FIG. 5

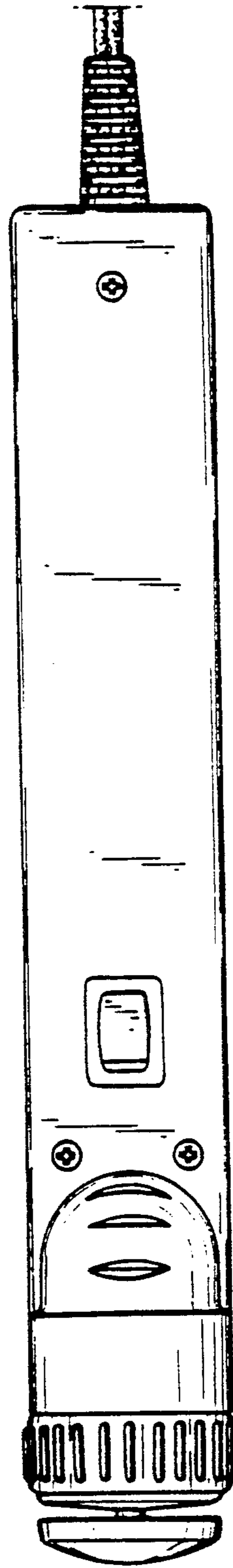


FIG. 6

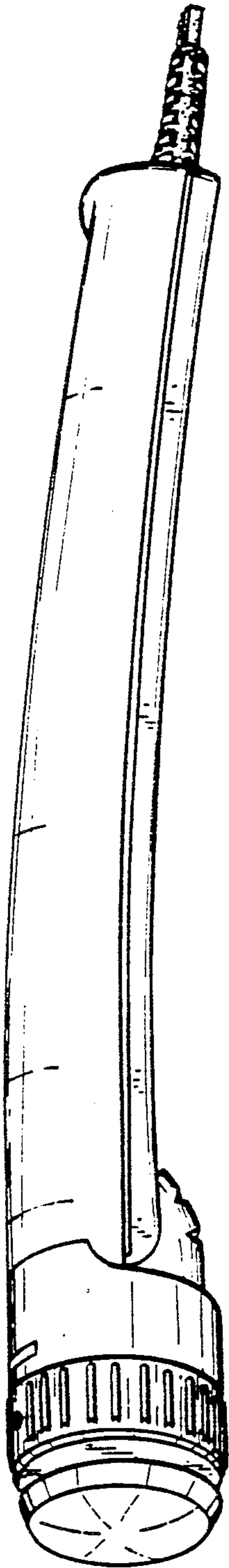


FIG. 7

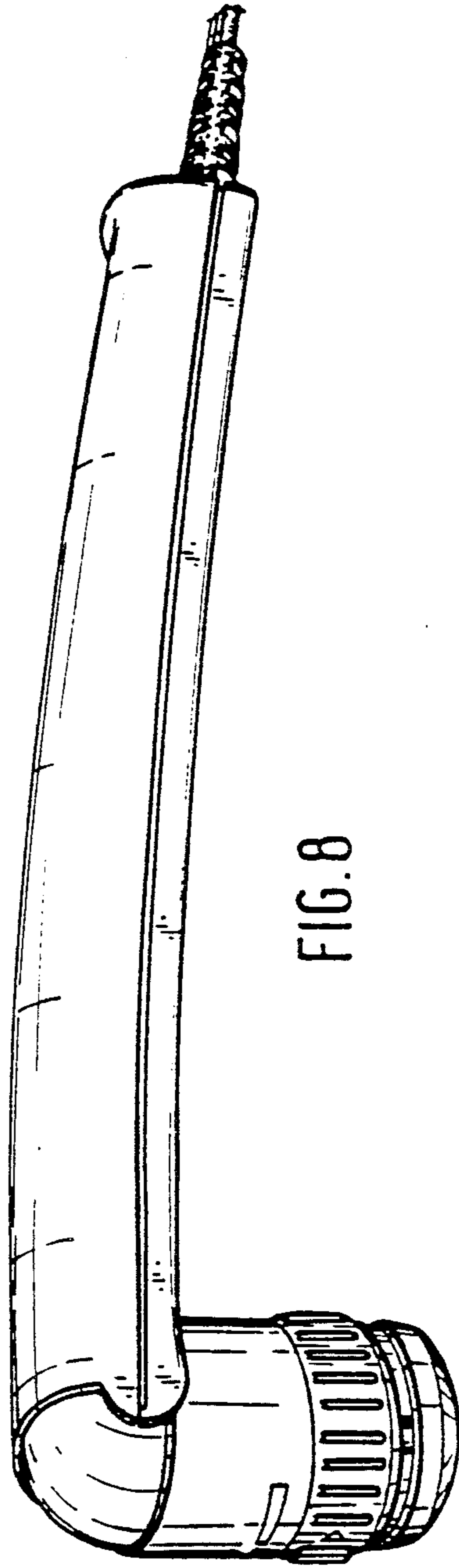


FIG. 8