



US00D326523S

United States Patent [19]

[11] Patent Number: **Des. 326,523**

Chen et al.

[45] Date of Patent: **** May 26, 1992**

[54] **DISPOSABLE NURSER**

[75] Inventors: **Yin I. Chen, Naperville, Ill.; William Bartasevich, Kent, Ohio**

[73] Assignee: **Lisco, Inc., Tampa, Fla.**

[**] Term: **14 Years**

[21] Appl. No.: **481,471**

[22] Filed: **Feb. 16, 1990**

[52] U.S. Cl. **D24/197**

[58] Field of Search **D9/307, 328, 349, 353, D9/355, 387, 392, 401, 406, 434, 435, 438, 447, 453, 455, 456; D24/121, 127, 130, 193, 197, 198, 199, 224; 215/11.1, 11.2, 11.3, 11.4, 11.5, 11.6; 248/103, 104, 105, 106**

[56] **References Cited**

U.S. PATENT DOCUMENTS

D. 228,694 10/1973 Ritsi D24/197

3,253,726	5/1966	Meierhoefer	215/11.1
3,257,025	6/1966	Jolly	D9/349
3,627,161	0/1969	Wergeland	215/11.6
5,020,680	6/1991	Bale	215/11.6

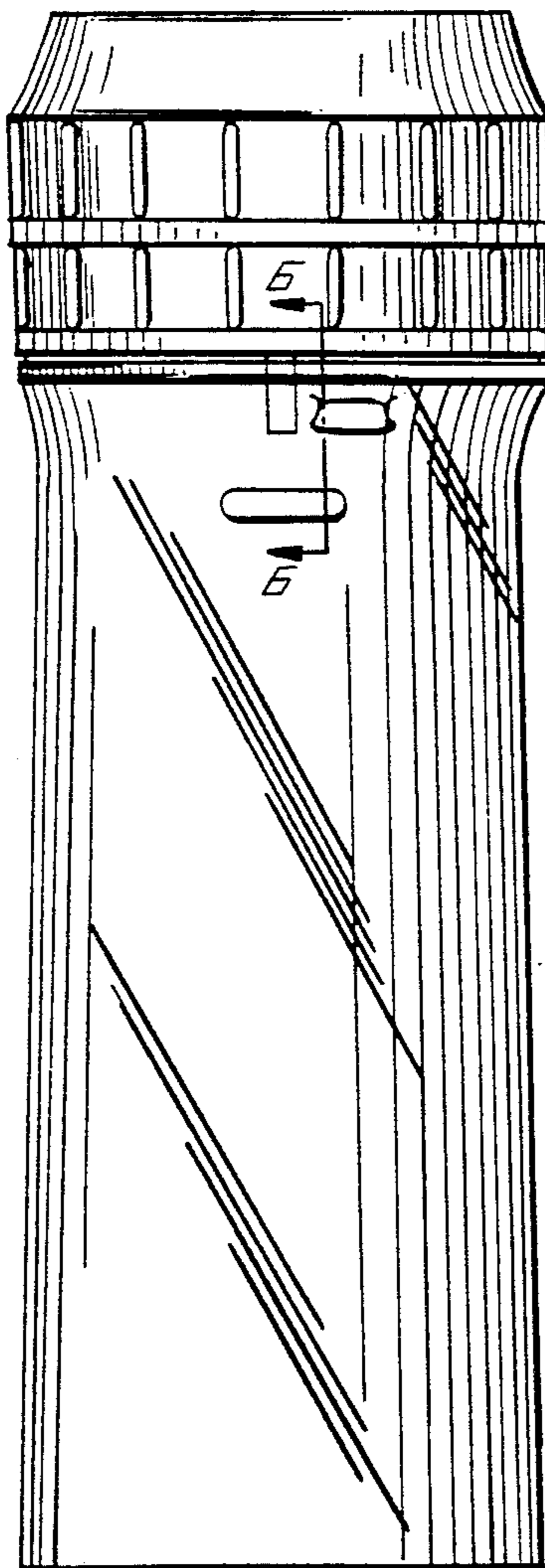
Primary Examiner—A. Hugo Word
Assistant Examiner—Celia A. Murphy

[57] **CLAIM**

The ornamental design for a disposable nurser, as shown and described.

DESCRIPTION

FIG. 1 is a front elevational view of a disposable nurser showing our new design;
FIG. 2 is a rear elevational view thereof;
FIG. 3 is a side elevational view thereof, both sides being identical;
FIG. 4 is a top plan view thereof;
FIG. 5 is a bottom plan view thereof; and,
FIG. 6 is a fragmentary sectional view thereof taken on line 6—6 of FIG. 1.



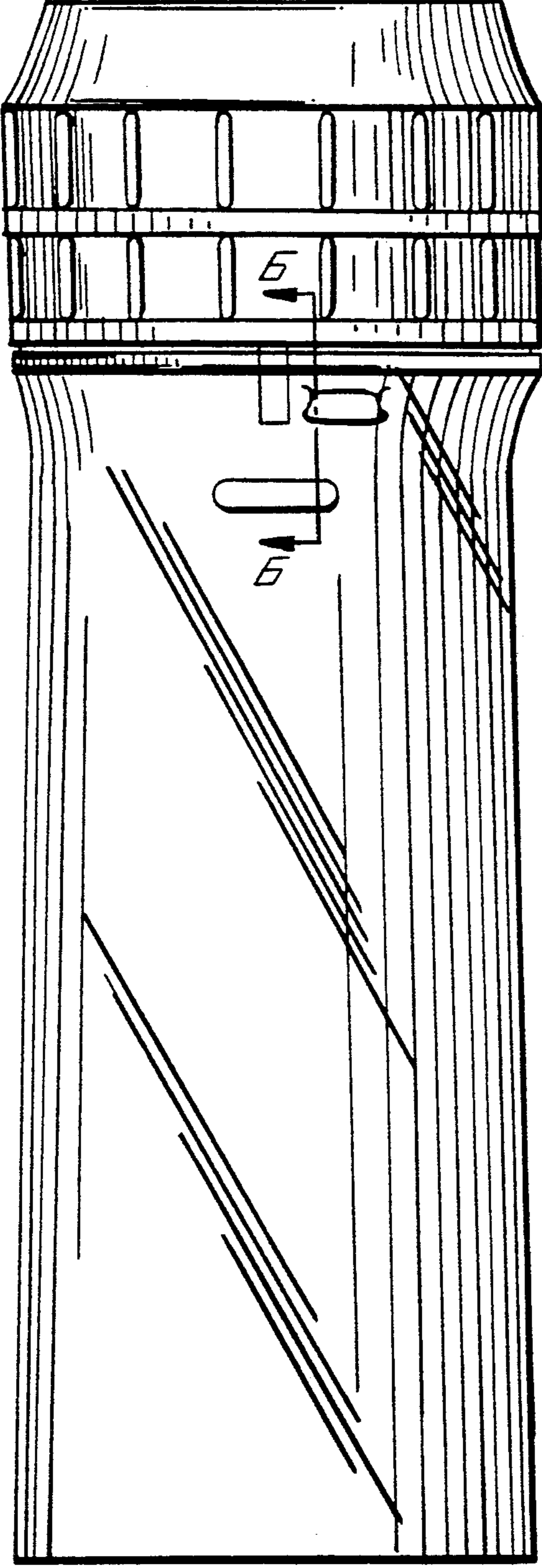


Fig. 1

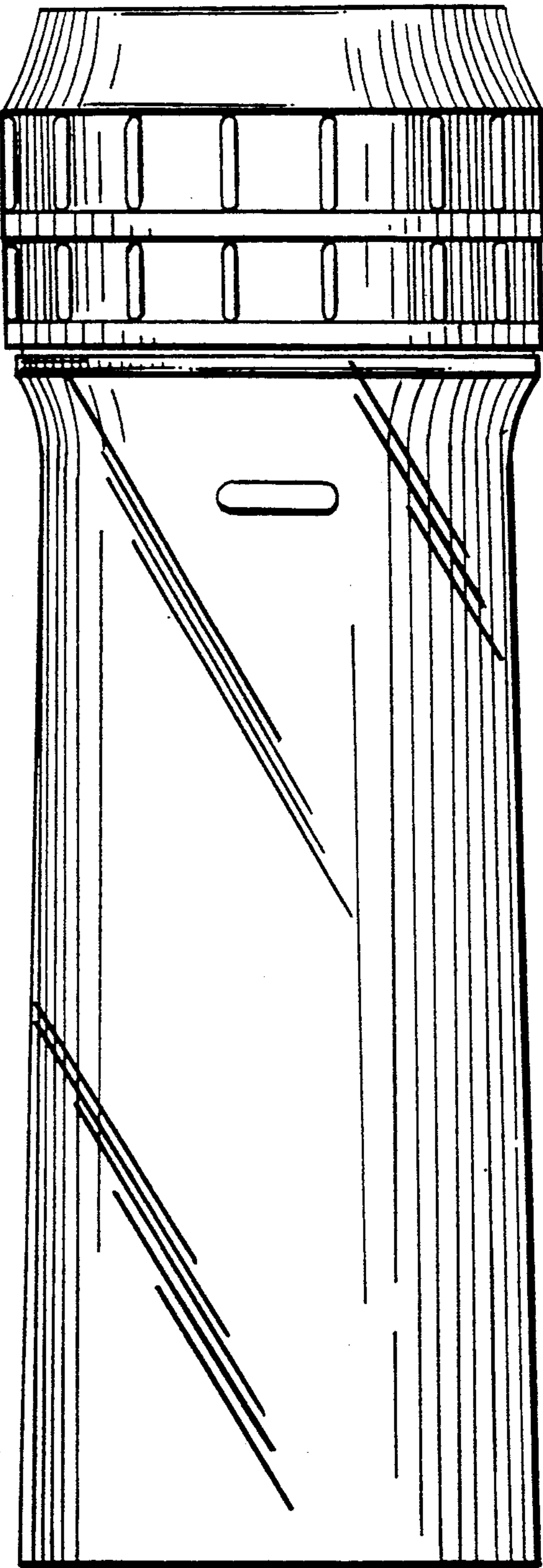


Fig. 2

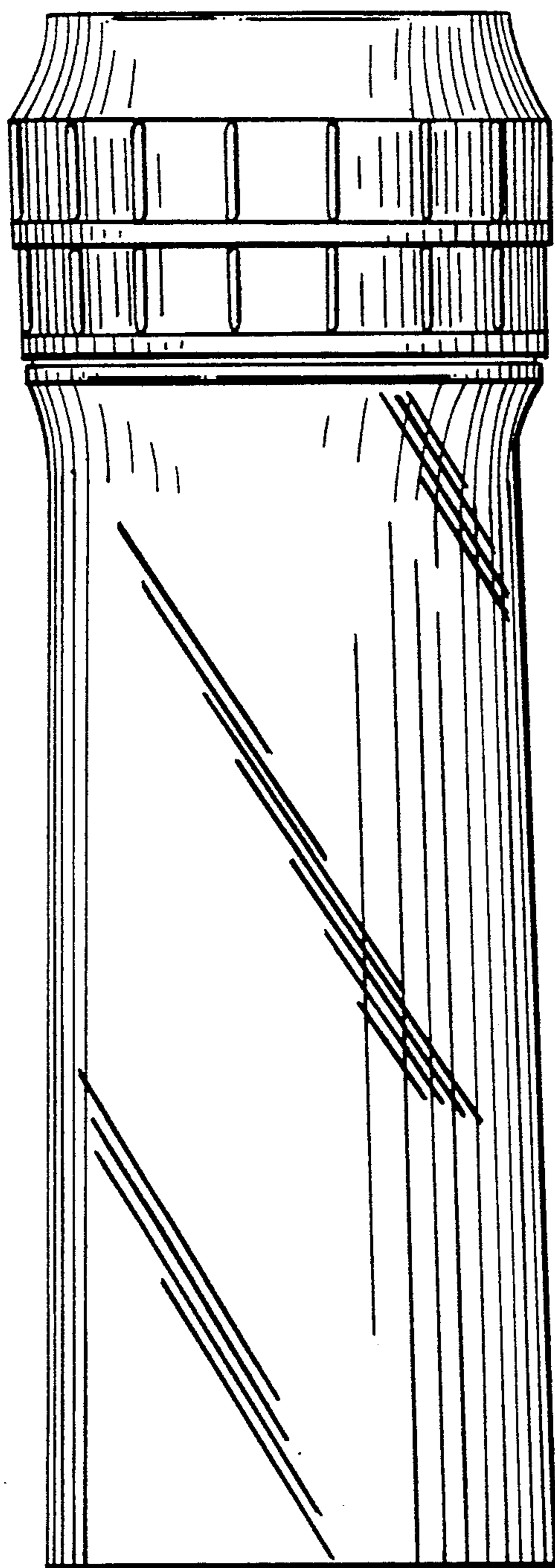


Fig. 3

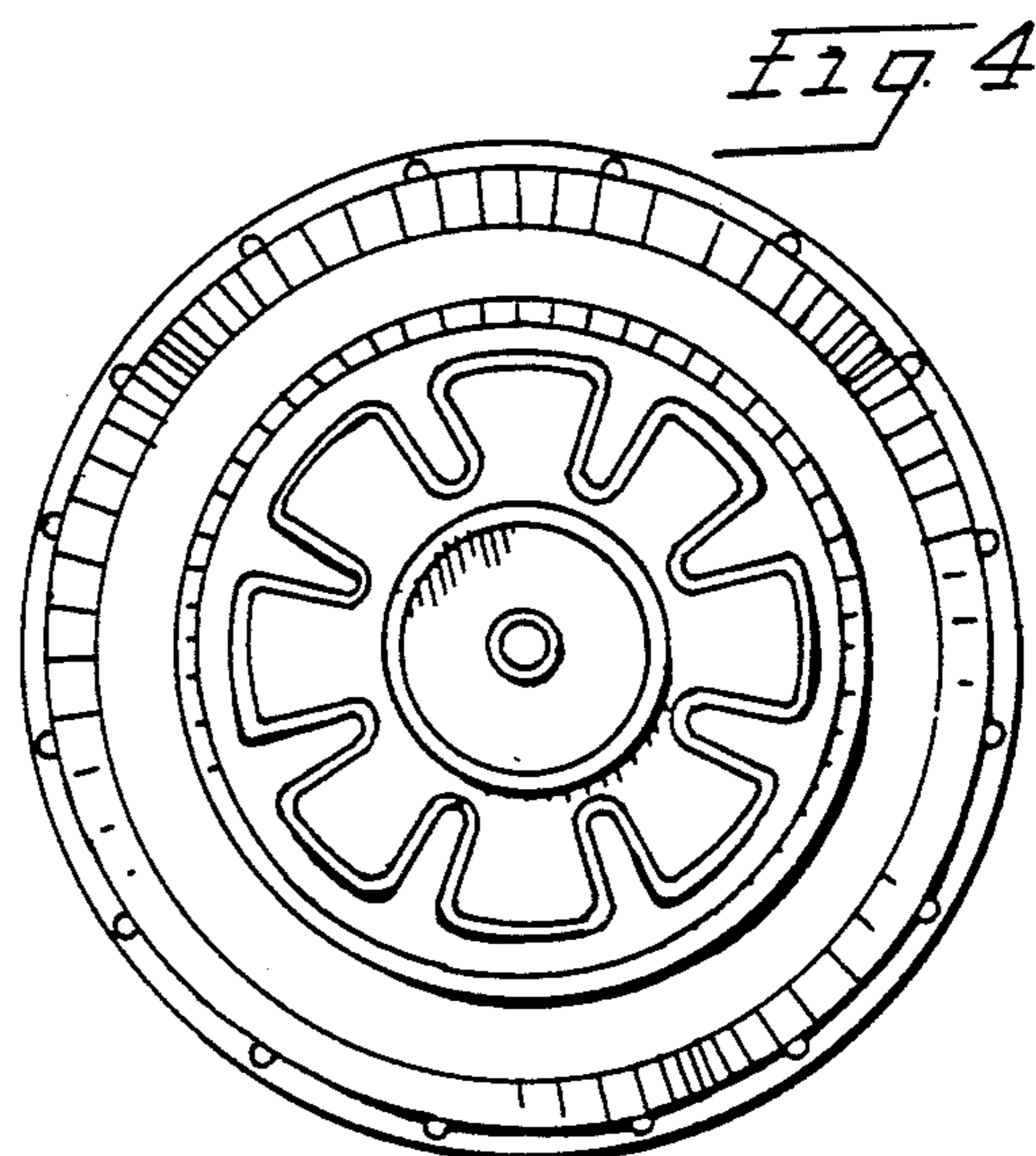


Fig. 4

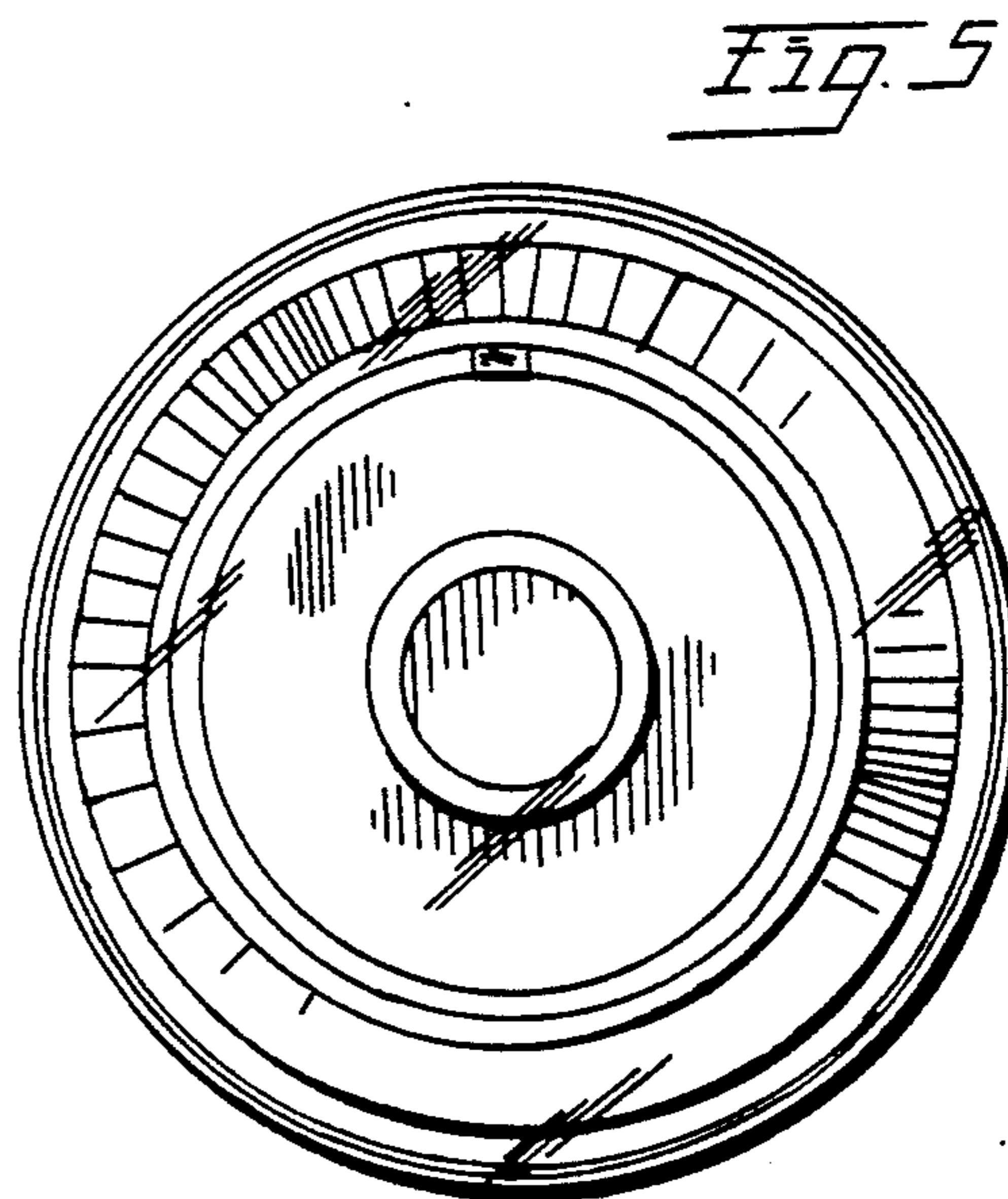


Fig. 5

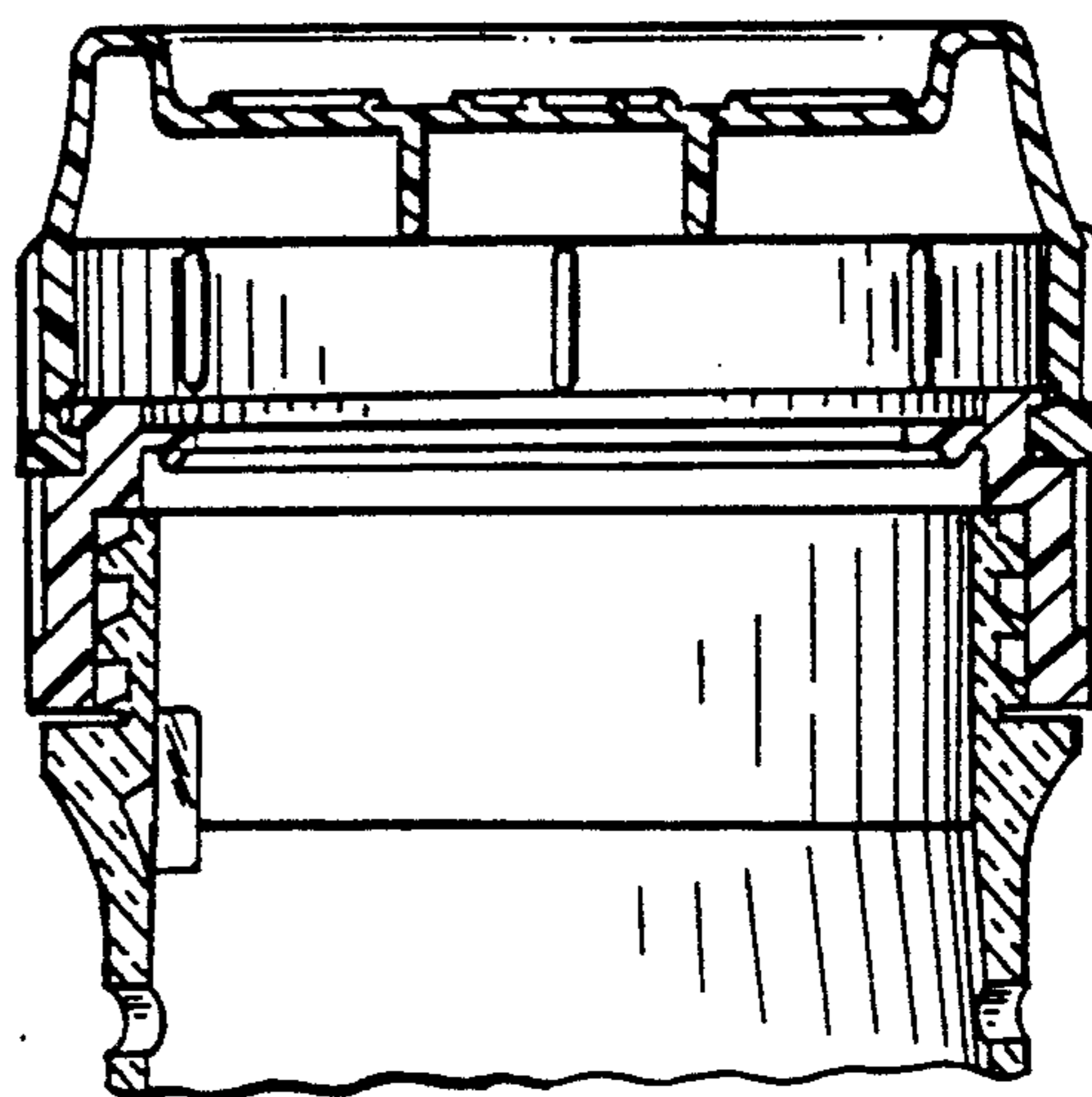


Fig. 6