



US00D326522S

United States Patent [19]

[11] Patent Number: **Des. 326,522**

Arnoy et al.

[45] Date of Patent: **** May 26, 1992**

[54] DEFIBRILLATOR

[75] Inventors: **Kurt Arnoy, Stavanger; Gunnar Nærheim, Hafsrjord, both of Norway**

[73] Assignee: **Laerdal Manufacturing Corporation, Portland, Oreg.**

[**] Term: **14 Years**

[21] Appl. No.: **503,177**

[22] Filed: **Mar. 30, 1990**

[52] U.S. Cl. **D24/167; D24/168**

[58] Field of Search **D24/168, 167; 606/32-35; 128/419 D; D14/167, 124; D13/107**

D. 287,758 1/1987 Chennault et al. 128/417 D X
 D. 293,023 12/1987 Giurtino D24/167
 D. 305,796 1/1990 Forland D24/167
 D. 307,587 5/1990 Marcone D14/124 X
 D. 311,586 10/1990 Butler et al. D24/167
 4,k628,935 12/1986 Jones et al. 128/419 D

Primary Examiner—Donald P. Walsh
Assistant Examiner—M. N. Pandozzi
Attorney, Agent, or Firm—Klarquist, Sparkman, Campbell, Leigh & Winston

[57] CLAIM

The ornamental design for a defibrillator, as shown and described.

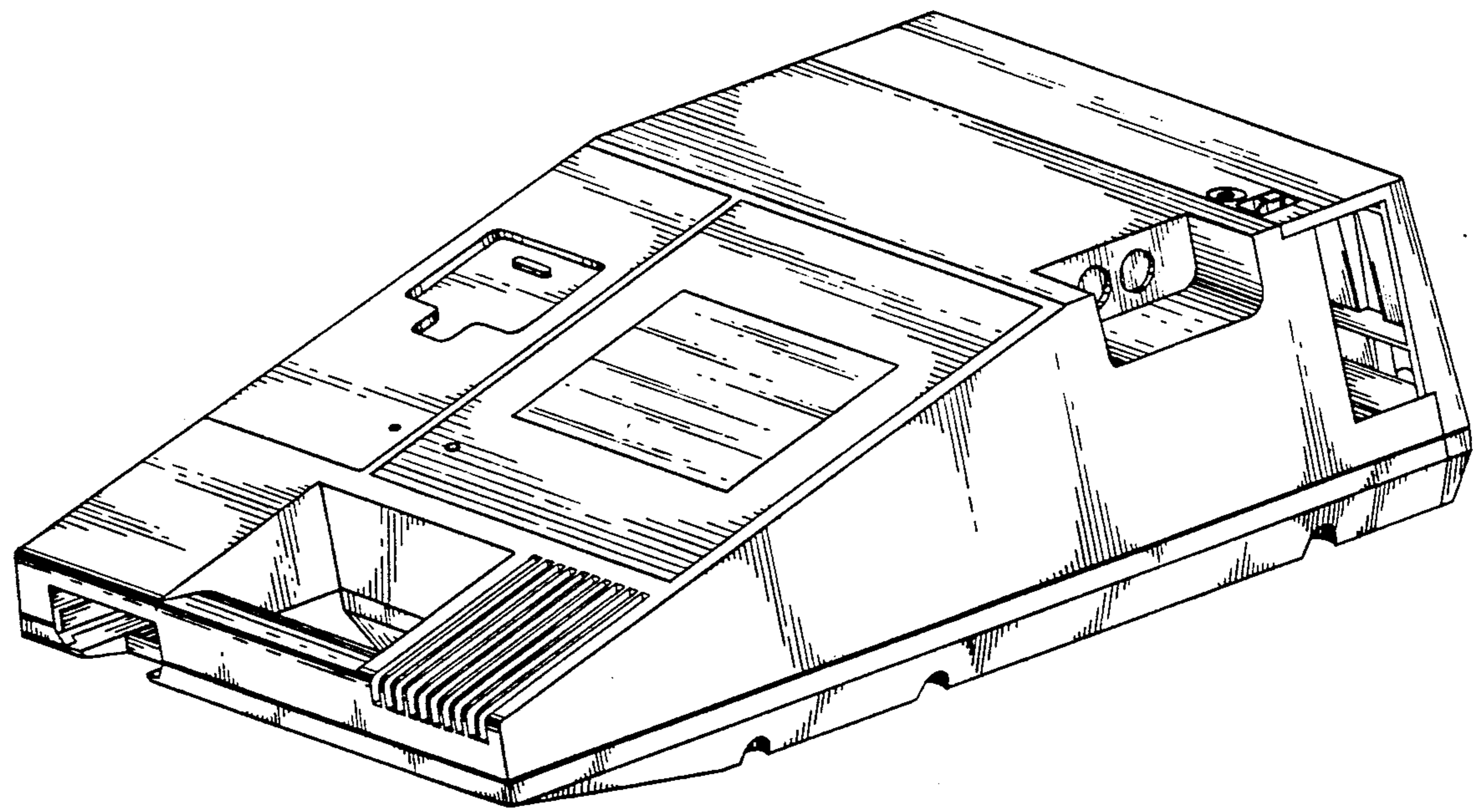
DESCRIPTION

FIG. 1 is a perspective view of a defibrillator showing our new design;
 FIG. 2 is a top plan view thereof;
 FIG. 3 is a front elevational view thereof;
 FIG. 4 is a left side elevational view thereof;
 FIG. 5 is a rear elevational view thereof;
 FIG. 6 is a right side elevational view thereof; and,
 FIG. 7 is a bottom plan view thereof.

[56] References Cited

U.S. PATENT DOCUMENTS

D. 199,883 12/1964 Druz et al. D24/167
 D. 217,648 5/1970 Chuboff et al. D24/167
 D. 244,154 5/1977 Smith et al. 128/417 D
 D. 253,608 12/1979 Smith et al. 128/419 D
 D. 264,969 6/1982 McGourty D14/124



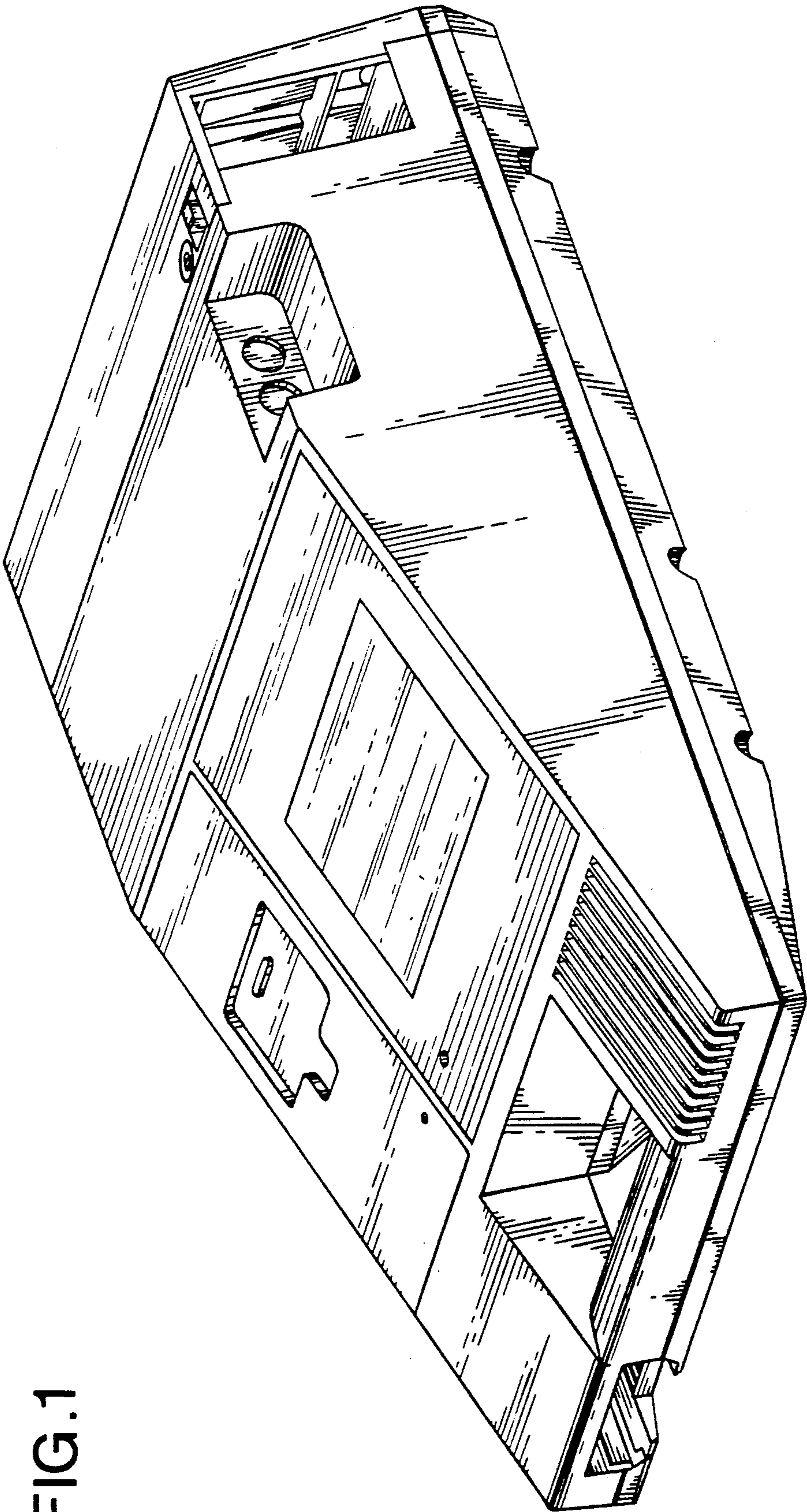


FIG.1

FIG. 2

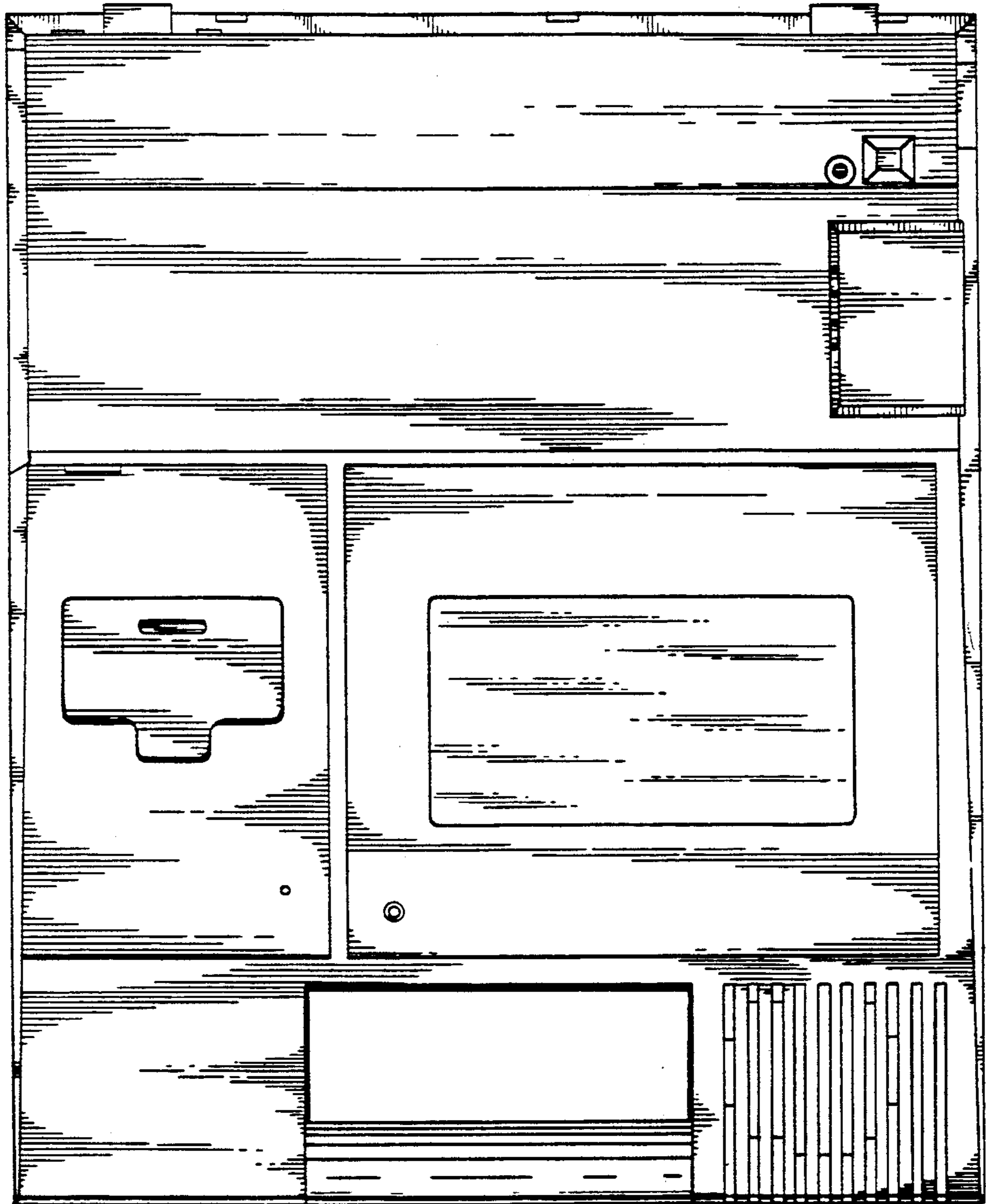


FIG. 3

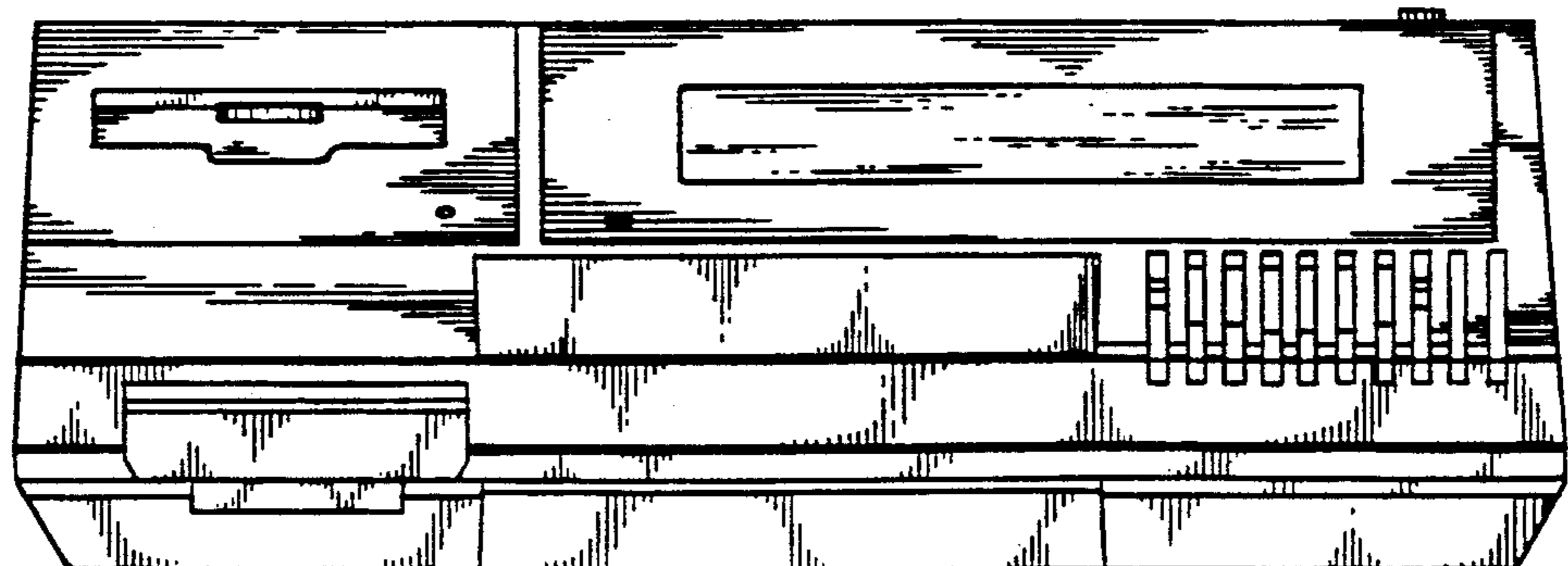


FIG.4

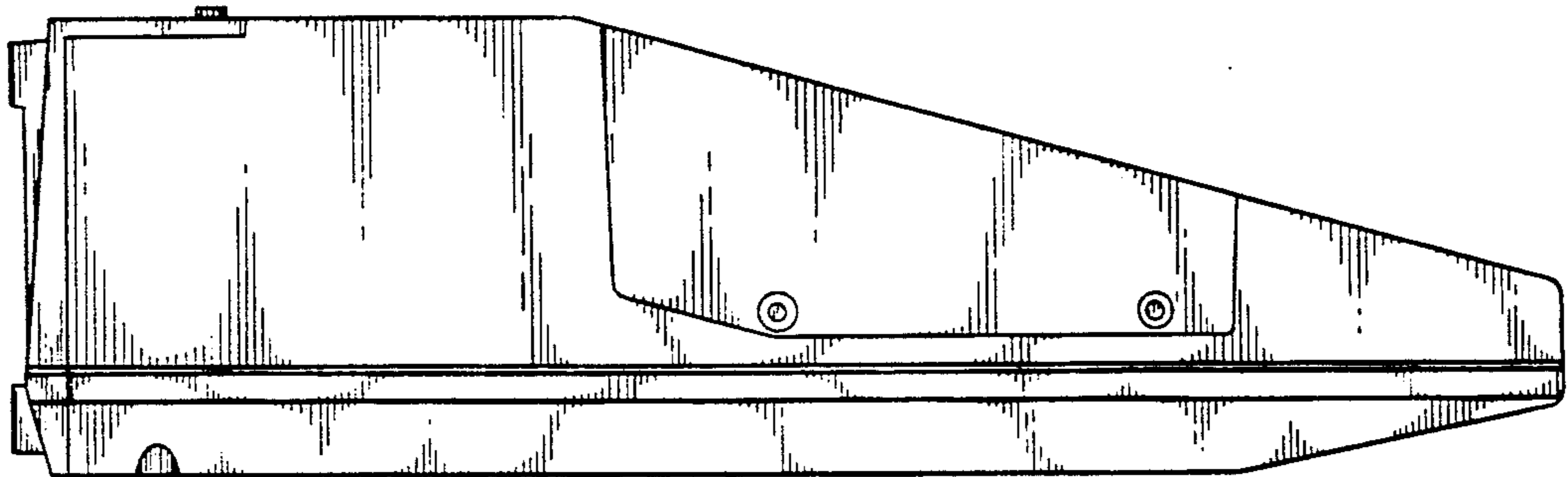


FIG.5



FIG.6

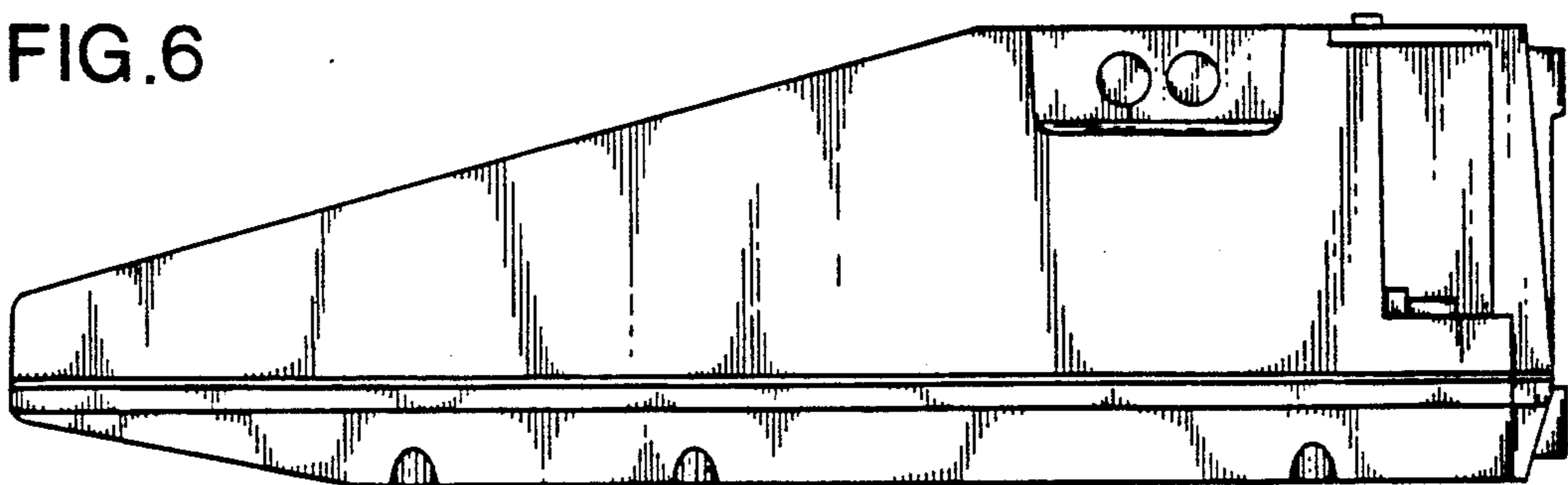


FIG. 7

