



US00D326519S

United States Patent [19]

[11] Patent Number: Des. 326,519

Drysdale

[45] Date of Patent: ** May 26, 1992

[54] URINARY FUNNEL FOR WOMEN

[76] Inventor: George L. Drysdale, 2160 Tamarack Ave., Boulder, Colo. 80304

[**] Term: 14 Years

[21] Appl. No.: 499,828

[22] Filed: Mar. 26, 1990

[52] U.S. Cl. D24/122; D24/121

[58] Field of Search D24/121, 122, 123, 117, D24/201; 4/144.4, 144.3, 144.2, 144.1; 604/329, 331, 327; 128/761; D34/1, 2; D7/700

4,198,979 5/1980 Cooney et al. 604/329

4,304,013 12/1981 Heimreid 4/144.3

4,496,355 1/1985 Hall et al. 4/144.3

4,681,573 7/1987 McGovern et al. 604/329

4,696,067 9/1987 Woodward 128/761 X

Primary Examiner—Donald P. Walsh
 Assistant Examiner—M. N. Pandozzi
 Attorney, Agent, or Firm—Francis A. Sirr; Earl C. Hancock

[57] CLAIM

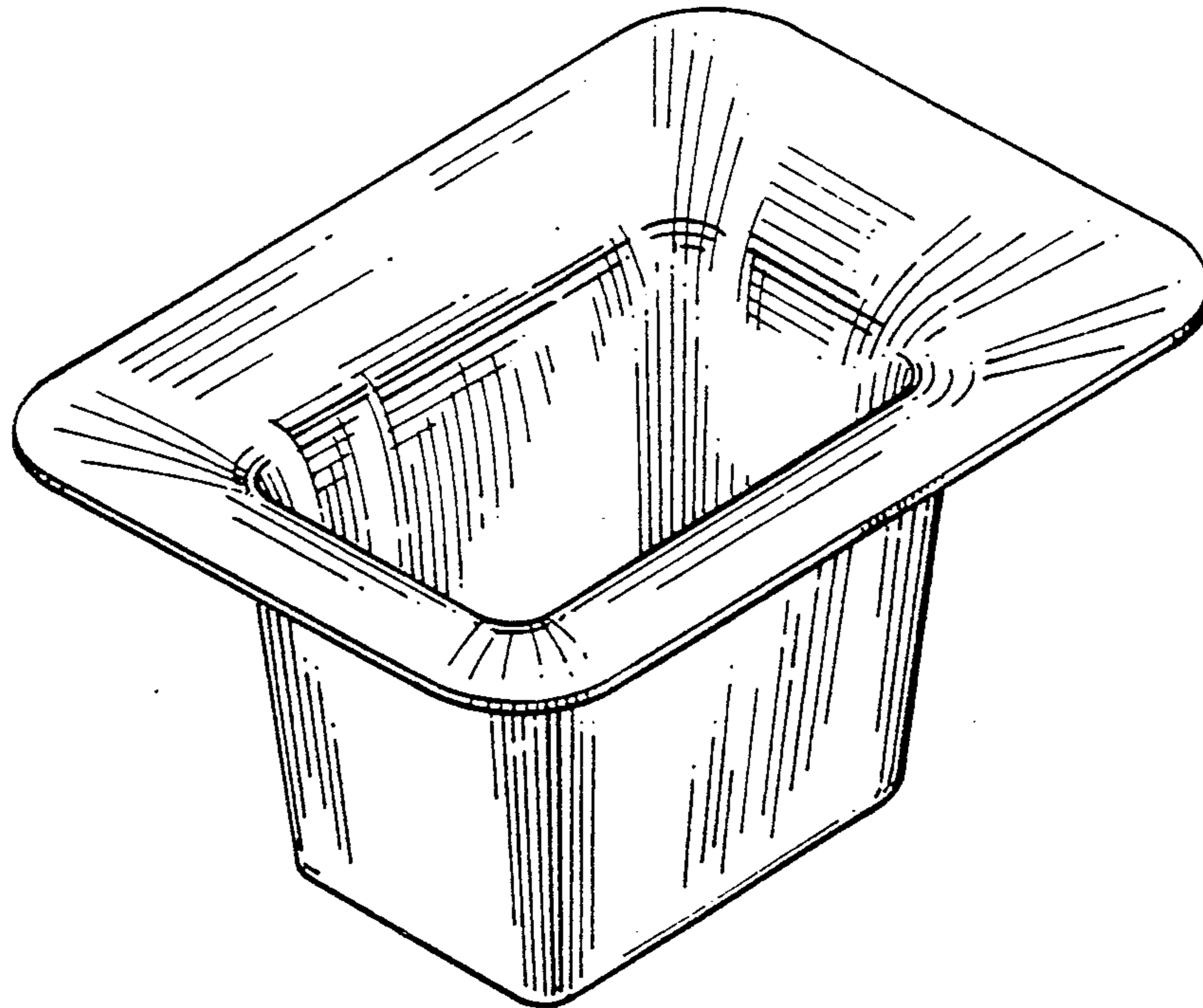
The ornamental design for a urinary funnel for women, as shown and described.

[56] References Cited
 U.S. PATENT DOCUMENTS

D. 95,258	4/1935	Johnson	D24/201
D. 158,693	5/1950	Salisbury, Jr.	D7/700
D. 227,413	6/1973	Sherin	D24/122 X
2,734,198	2/1956	Kutsche	4/144.2
3,131,403	5/1964	Hill	4/144.3
3,161,891	12/1964	Bauman	128/761
3,171,136	3/1965	Gibson	4/144.4
3,485,233	12/1969	Cord	128/761
3,711,871	1/1973	Sherin	4/144.1
3,995,329	12/1976	Williams	4/144.3

DESCRIPTION

FIG. 1 is a front elevational view of a urinary funnel for women showing my new design;
 FIG. 2 is a right side elevational view, the left side elevational view being a mirror image thereof;
 FIG. 3 is a top plan view thereof;
 FIG. 4 is a bottom plan view thereof; and,
 FIG. 5 is a front, top, side perspective view thereof.
 The broken line showing of a portion of a urine collection receptacle in FIG. 1 is for illustrative purposes only and forms no part of the claimed design.



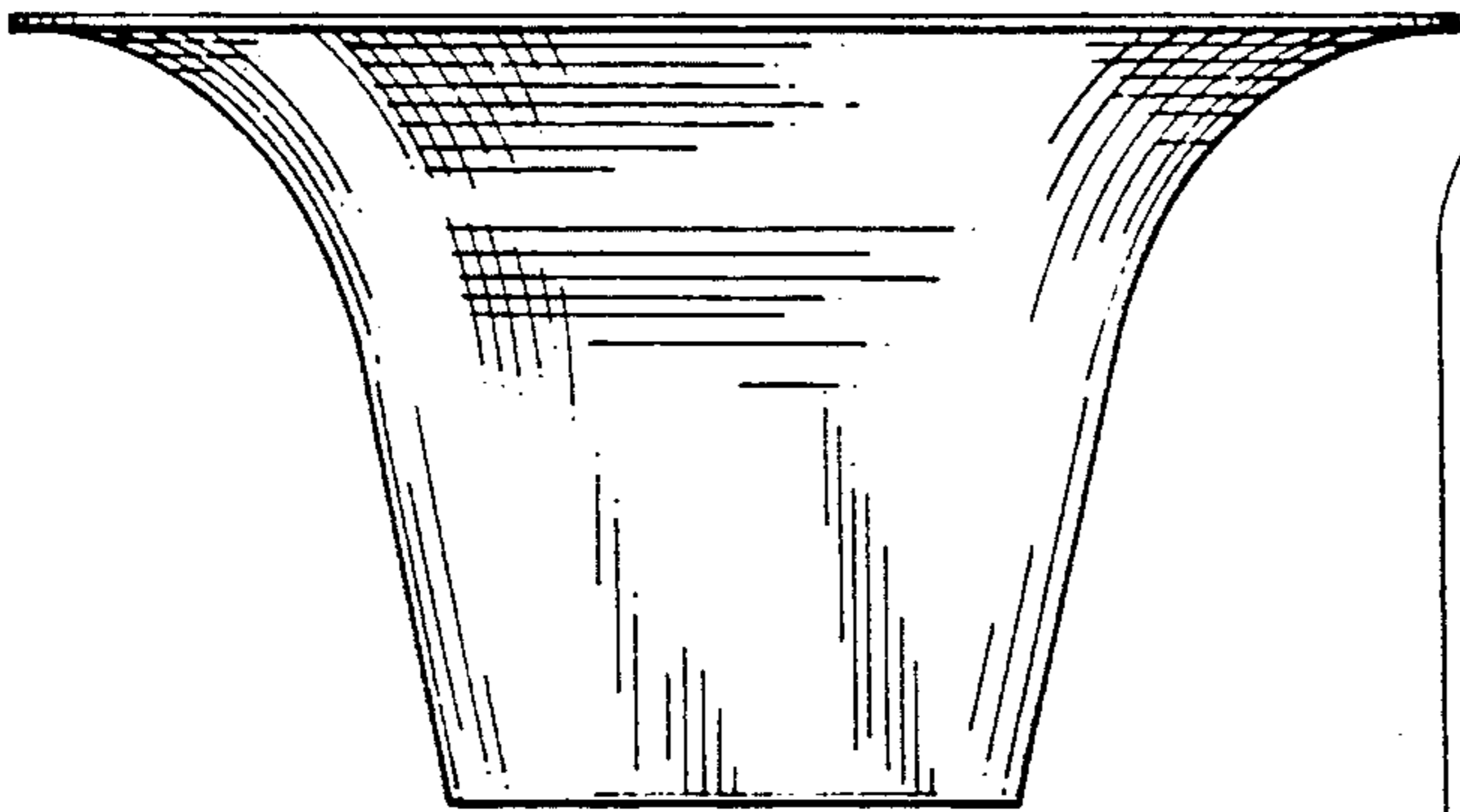


FIG. 2.

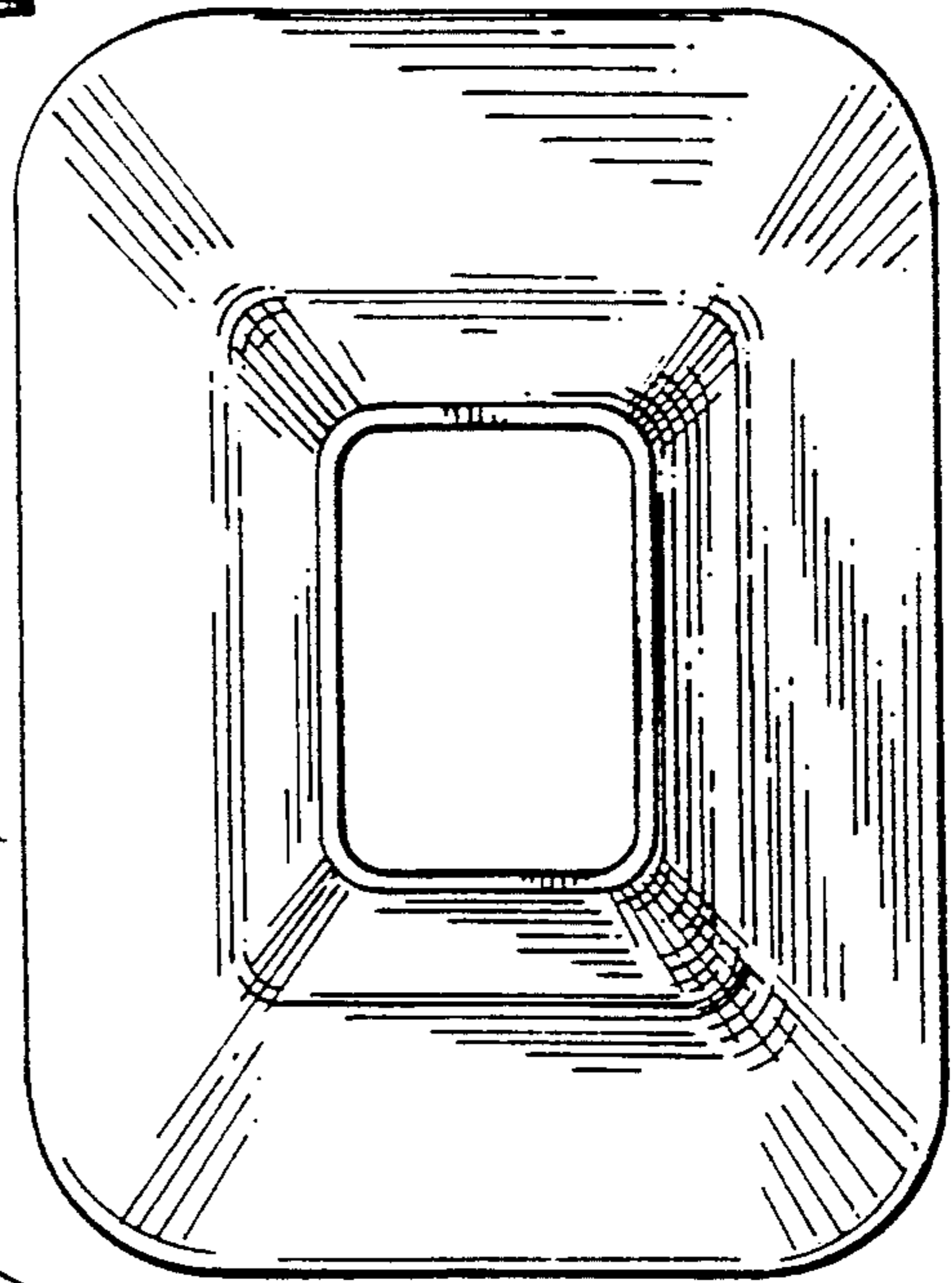


FIG. 4.

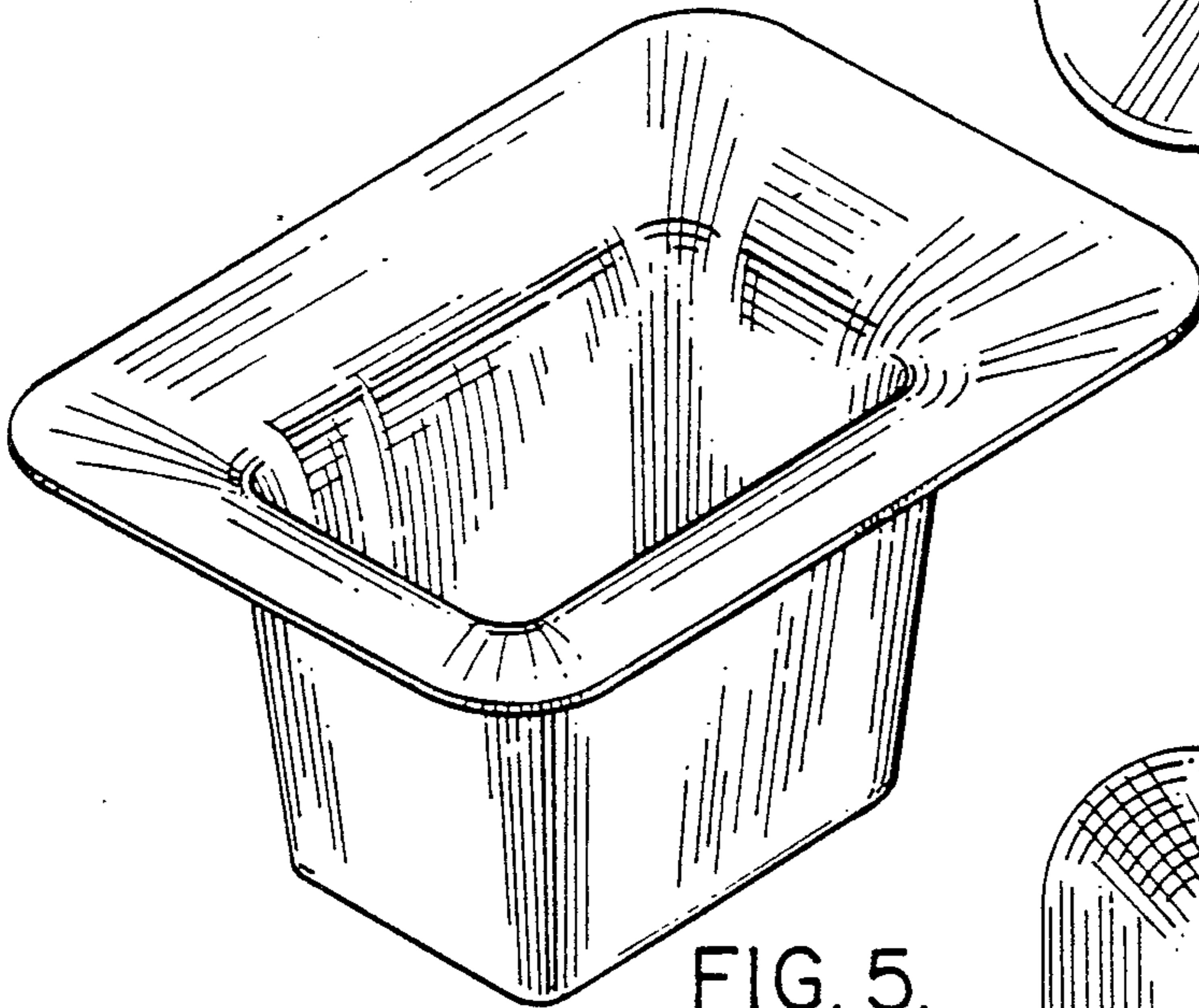


FIG. 5.

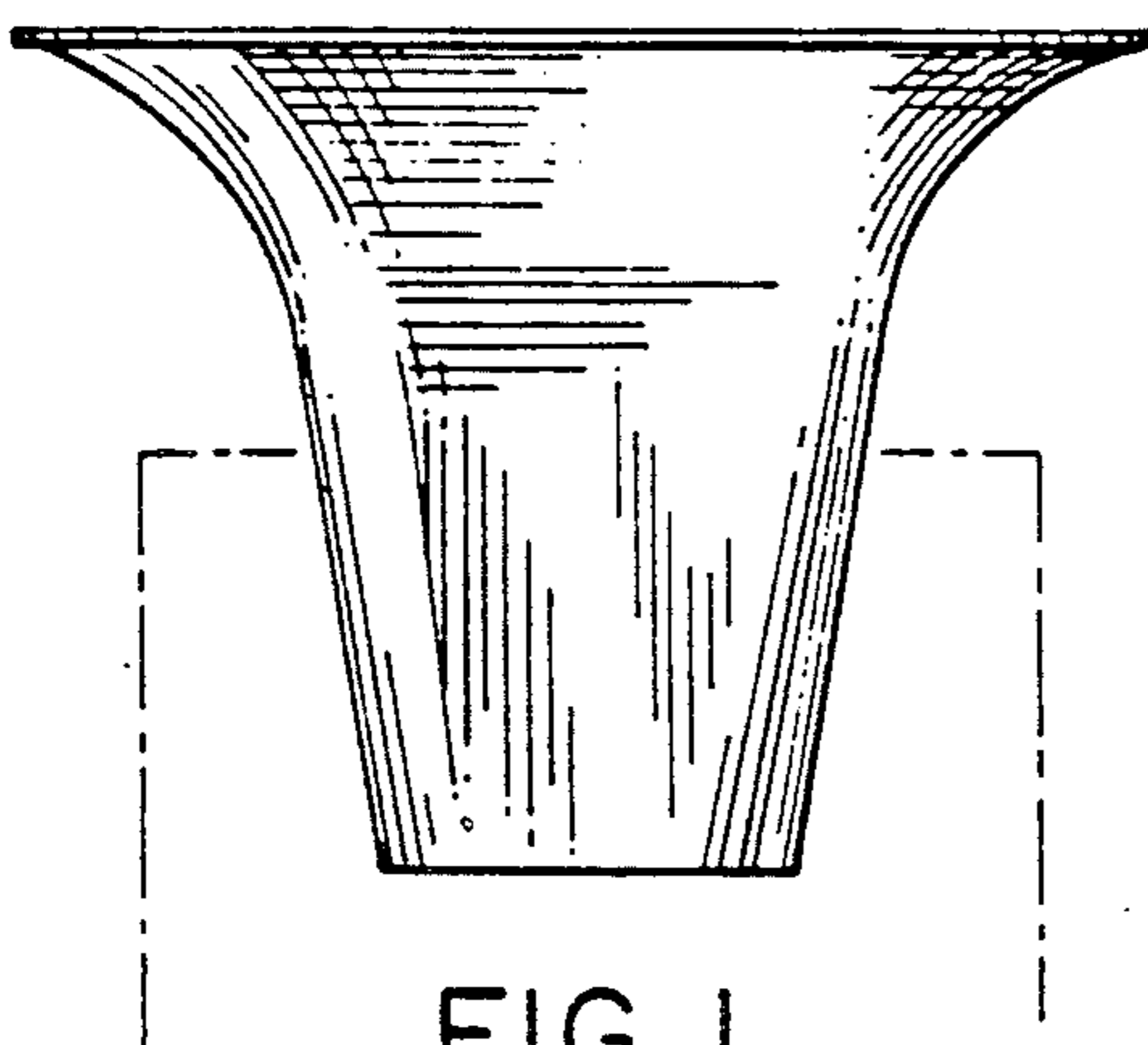


FIG. 1.

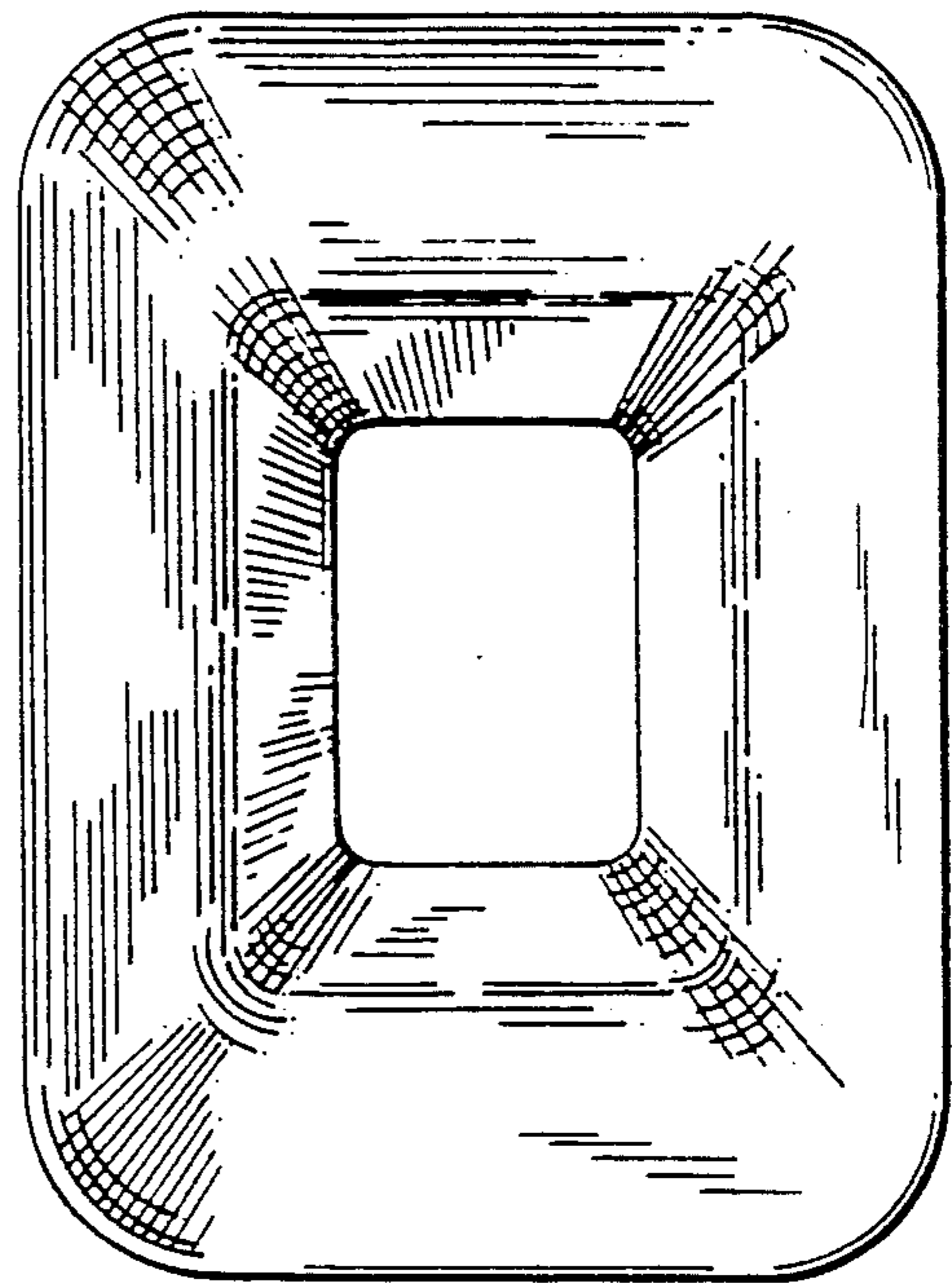


FIG. 3.

UNITED STATES PATENT AND TRADEMARK OFFICE
CERTIFICATE OF CORRECTION

PATENT NO. : Des. 326,519
DATED : May 26, 1992
INVENTOR(S) : G. L. Drysdale

It is certified that error appears in the above-identified patent and that said Letters Patent is hereby corrected as shown below:

column 2, line 6, "wemen" should read "women".

Signed and Sealed this
Seventeenth Day of August, 1993



Attest:

BRUCE LEHMAN

Attesting Officer

Commissioner of Patents and Trademarks