



US00D326517S

United States Patent [19]

[11] Patent Number: **Des. 326,517**

Funai et al.

[45] Date of Patent: **** May 26, 1992**

[54] INHALATOR

4,241,688	9/1981	Kistler	128/200.23
4,576,157	3/1986	Raghuprasad	D24/110 X
4,706,663	11/1987	Makiet	D24/110 X
4,846,168	7/1989	Abiko et al.	128/200.23 X

[75] Inventors: **Kazuya Funai; Norio Eda**, both of Tochigi; **Sachio Nakajima**, Tokyo, all of Japan

Primary Examiner—Stella Reid
Attorney, Agent, or Firm—Darby & Darby

[73] Assignee: **Glaxo Group Limited**, London, England

[57] **CLAIM**

[**] Term: **14 Years**

The ornamental design for an inhalator, as shown and described.

[21] Appl. No.: **344,148**

[22] Filed: **Apr. 26, 1989**

DESCRIPTION

[30] **Foreign Application Priority Data**

Oct. 27, 1988 [JP] Japan 63-42317

[52] U.S. Cl. **D24/110**

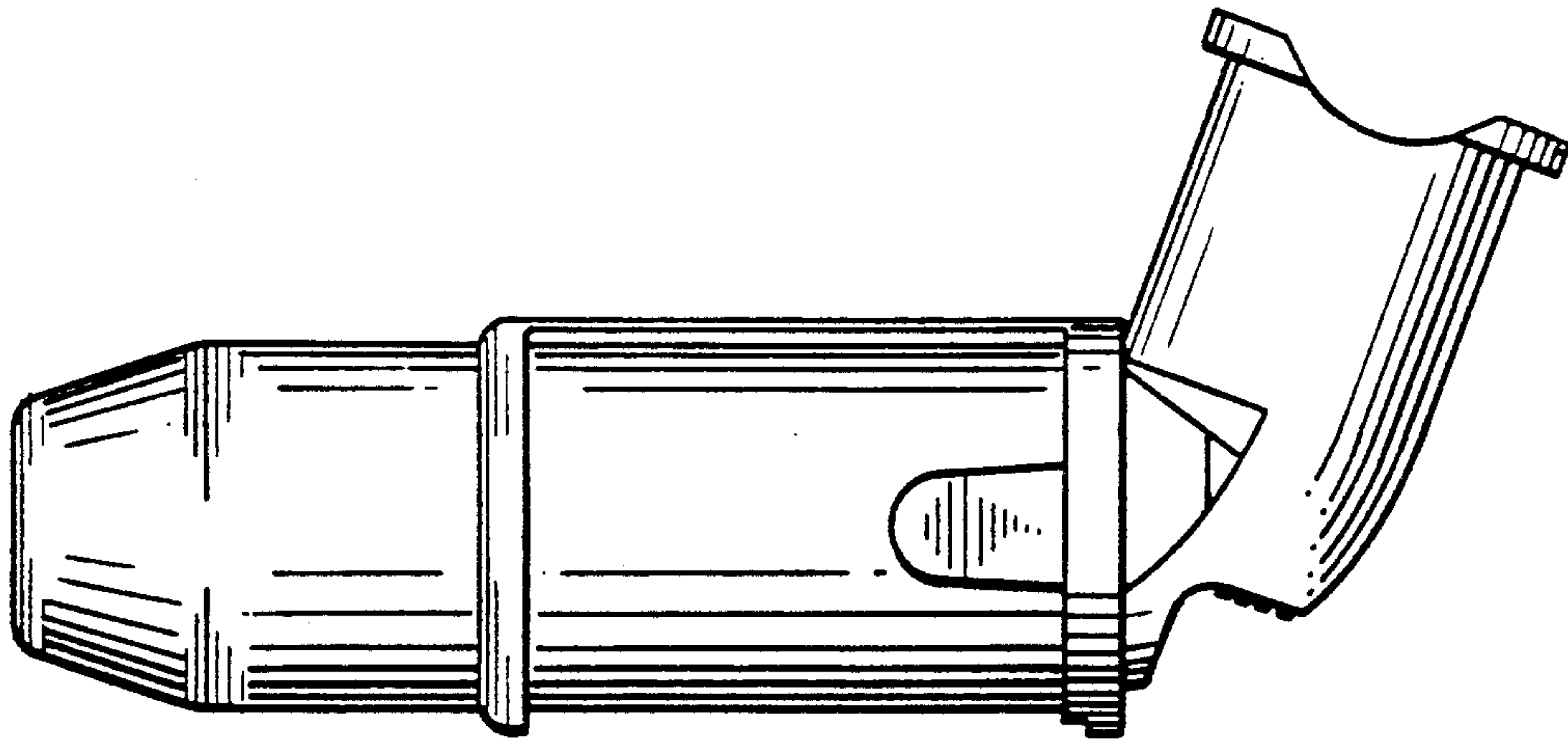
[58] Field of Search D24/110; 128/200.23, 128/200.24, 200.14, 200.16, 200.18, 203.16

FIG. 1 is a front elevational view of an inhalator showing our new design;
 FIG. 2 is a rear elevational view thereof;
 FIG. 3 is a top plan view thereof;
 FIG. 4 is a bottom plan view thereof;
 FIG. 5 is a right side elevational view thereof, the left side elevational view being a mirror image thereof;
 FIG. 6 is a right side elevational view thereof shown in a closed position; and,
 FIG. 7 is a cross-sectional view thereof, taken along line 7—7 of FIG. 1.

[56] **References Cited**

U.S. PATENT DOCUMENTS

D. 206,979	2/1967	Jaffe	D24/110
D. 311,443	10/1990	Long et al.	D24/110



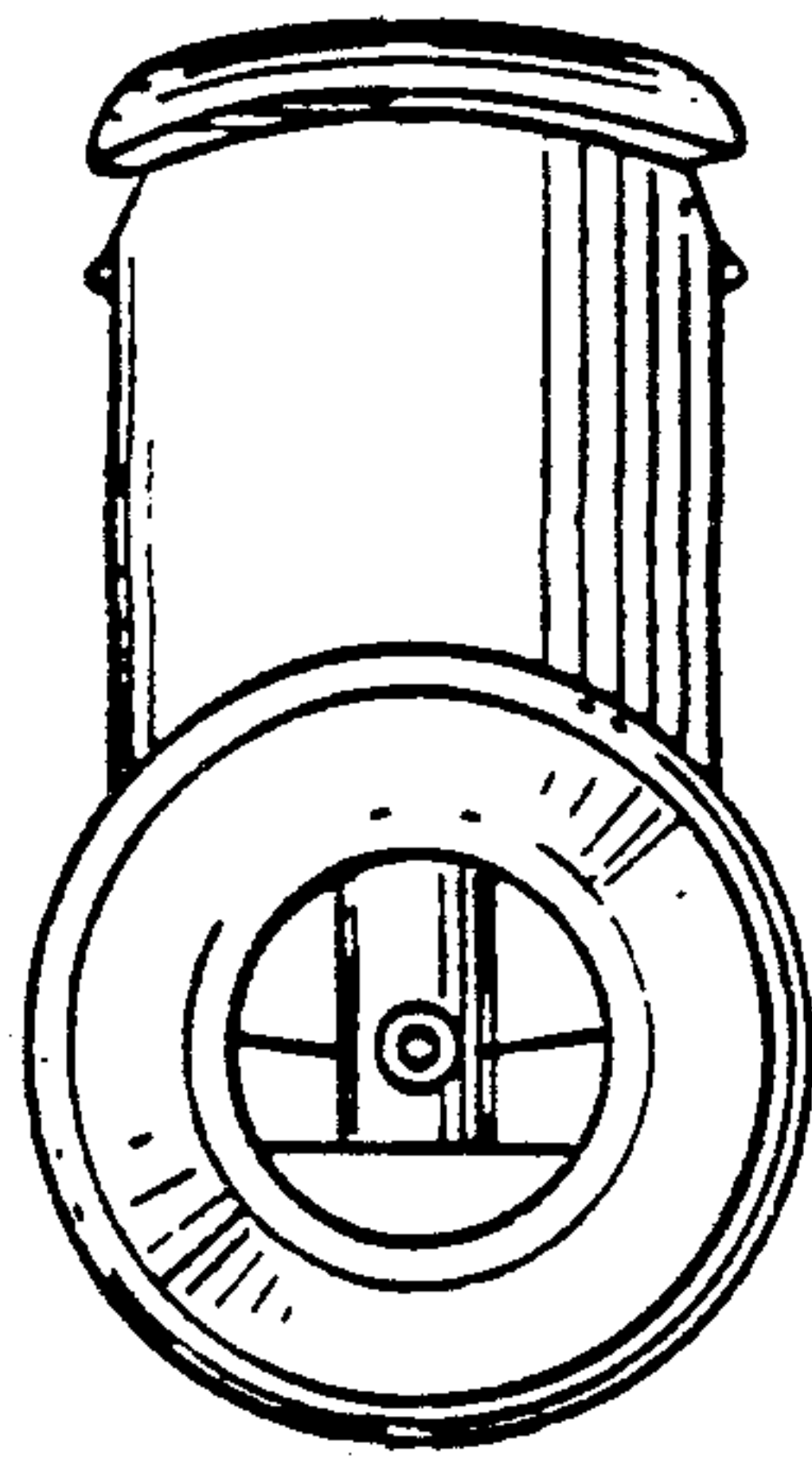


Fig. 1

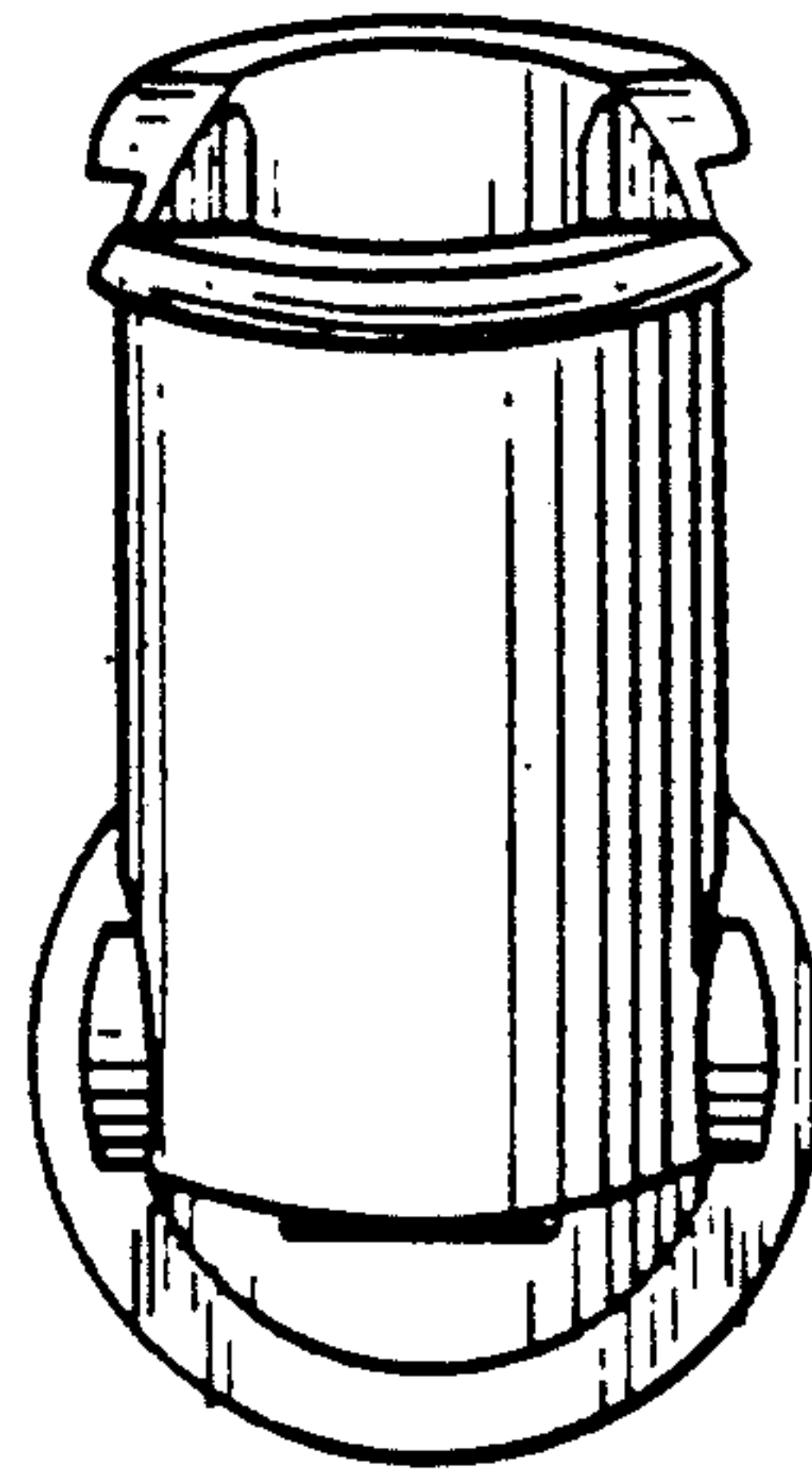


Fig. 2

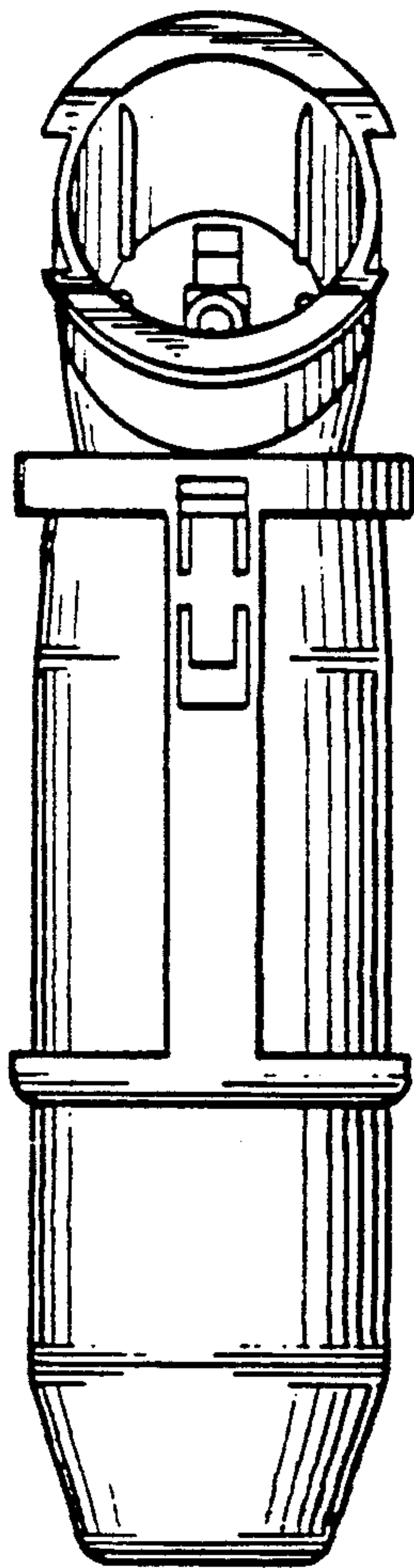


Fig. 3

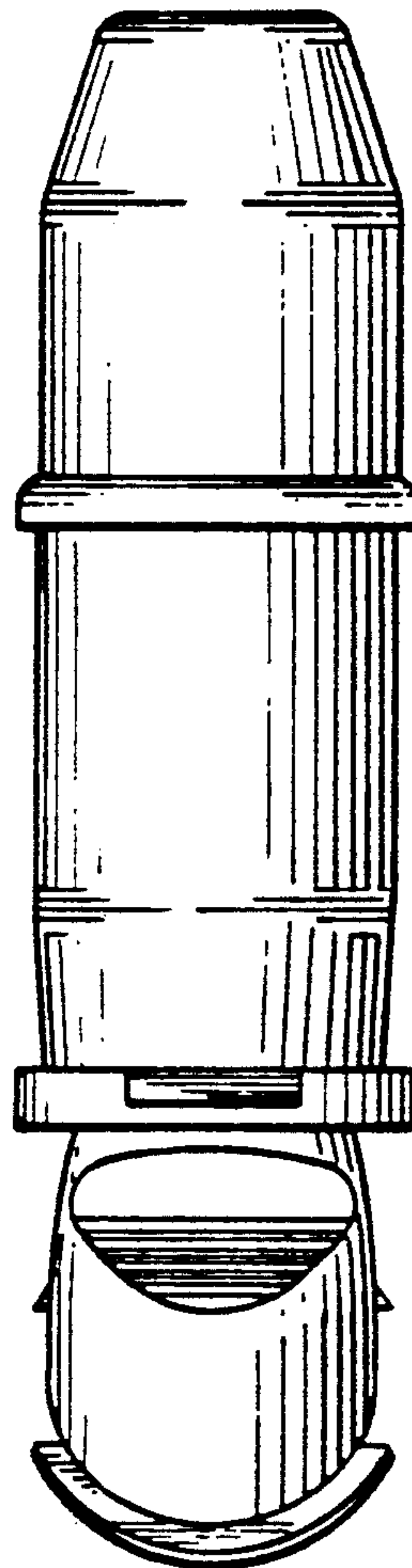


Fig. 4

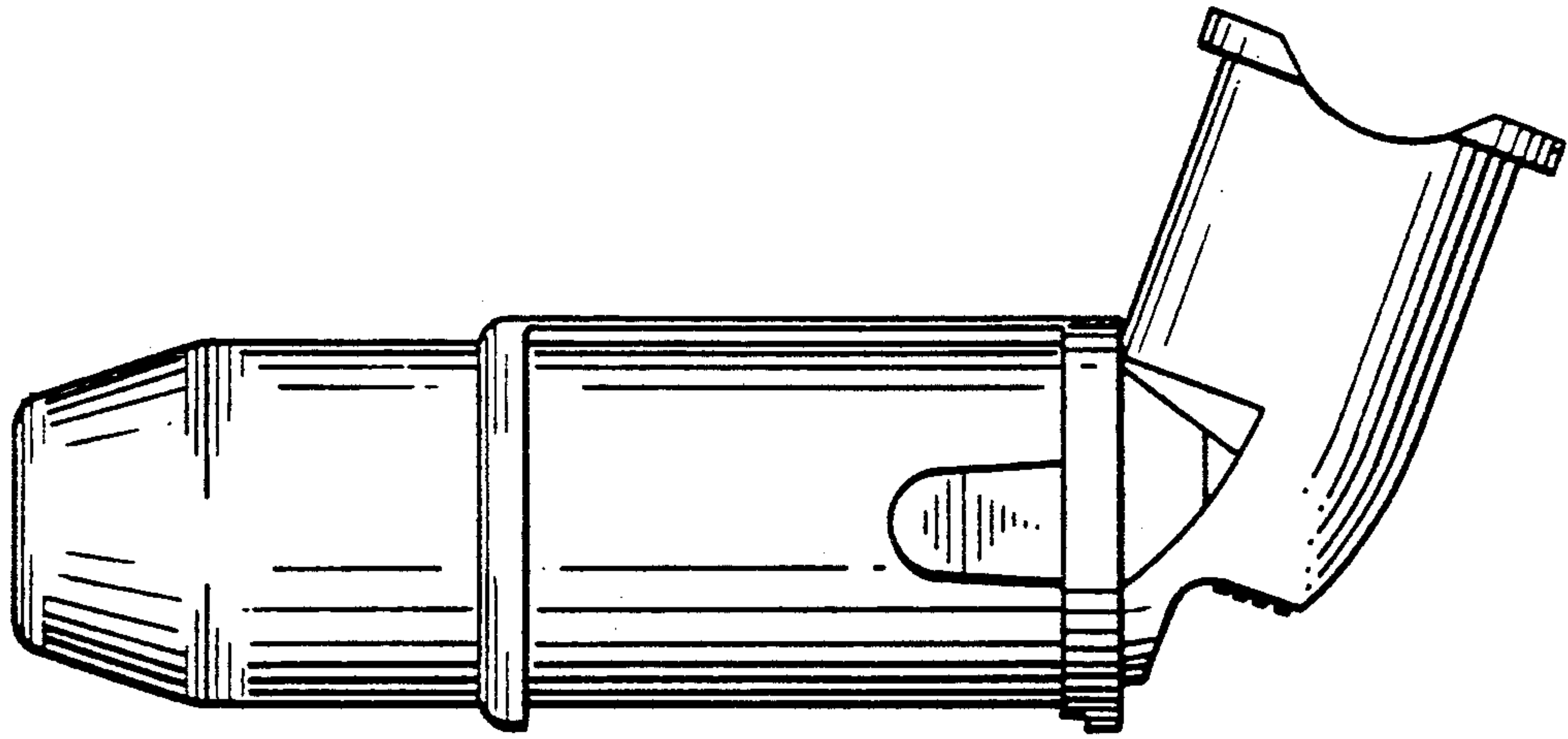


Fig. 5

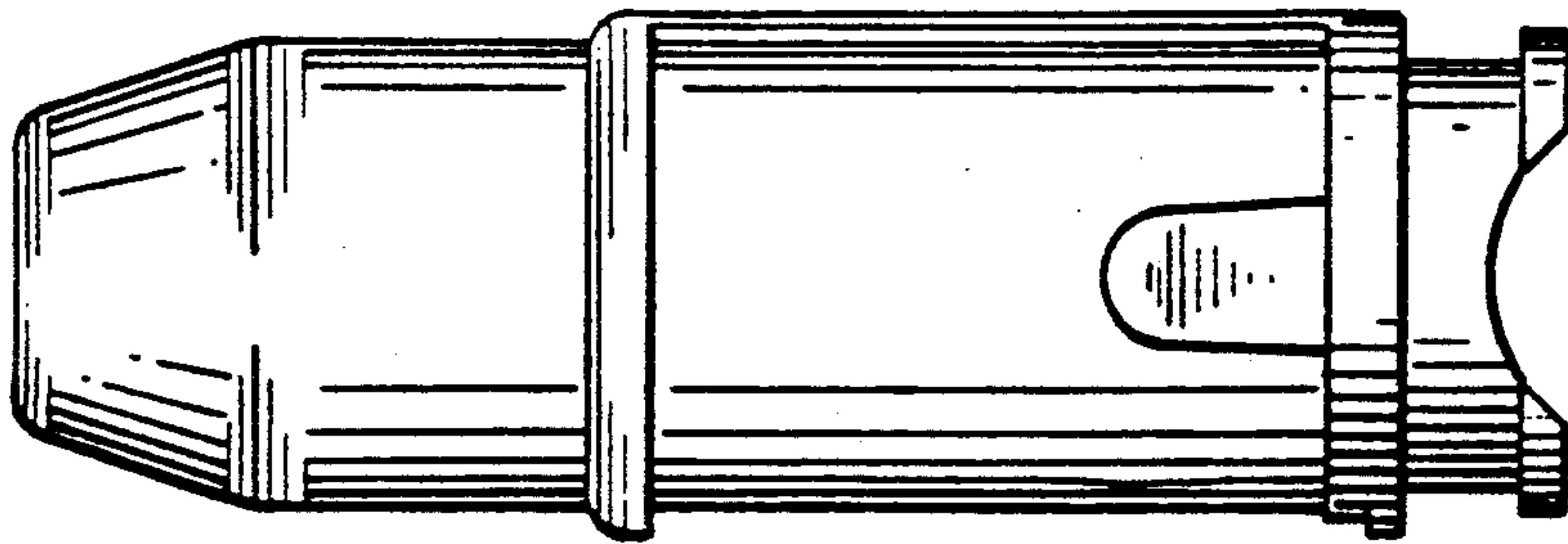


Fig. 6

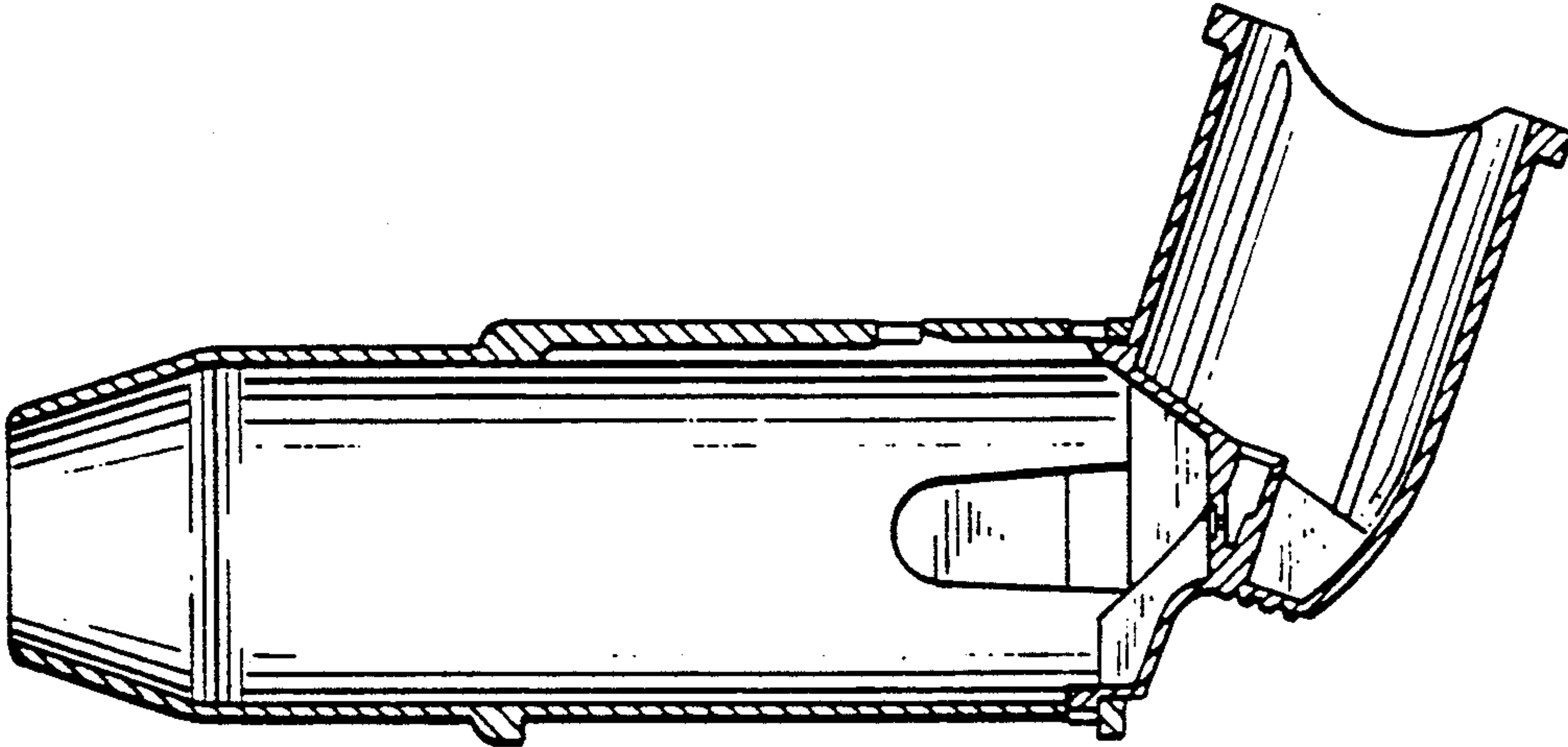


Fig. 7