



US00D326512S

United States Patent [19]

[11] Patent Number: Des. 326,512

Bianco

[45] Date of Patent: ** May 26, 1992

[54] AIR IONIZER

[75] Inventor: Frank J. Bianco, Pembroke Pines, Fla.

[73] Assignee: Elexis Corporation, Miami, Fla.

[**] Term: 14 Years

[21] Appl. No.: 639,428

[22] Filed: Jan. 9, 1991

[52] U.S. Cl. D23/355

[58] Field of Search D23/355-365, D23/366-369; D9/453, 435; 215/316, 317; D13/199; 361/212

[56] . References Cited

U.S. PATENT DOCUMENTS

D. 82,978	1/1931	Conley	D23/366
D. 83,901	4/1931	Huffman	D9/453
D. 195,464	6/1963	Foster, Jr. et al.	D23/364
D. 265,924	8/1982	Gehlke	D23/355
D. 272,086	1/1984	Gehlke	D23/364
D. 287,484	12/1986	Rodomista	D13/199
2,955,722	10/1960	Antonious	215/317
4,098,853	7/1978	Brown et al.	392/403

FOREIGN PATENT DOCUMENTS

10630	9/1879	Italy	215/316
182262	7/1989	Japan	215/316

OTHER PUBLICATIONS

Sharper Image Catalogue, p. 35, Travel ion top right side of page.

Primary Examiner—Wallace R. Burke

Assistant Examiner—Lisa Lichtenstein

Attorney, Agent, or Firm—Lowe, Price, LeBlanc & Becker

[57] CLAIM

The ornamental design for an air ionizer, as shown and described.

DESCRIPTION

FIG. 1 is a front, right side perspective view of an air ionizer showing my new design;
 FIG. 2 is a top plan view thereof;
 FIG. 3 is a front elevation view thereof;
 FIG. 4 is a right side elevation view thereof, the opposite being a mirror image of the shown;
 FIG. 5 is a rear elevation view thereof; and,
 FIG. 6 is a bottom plan view thereof.
 The elements shown in broken-lines in FIGS. 1, 2, 3 and 6, are not part of the claimed design.

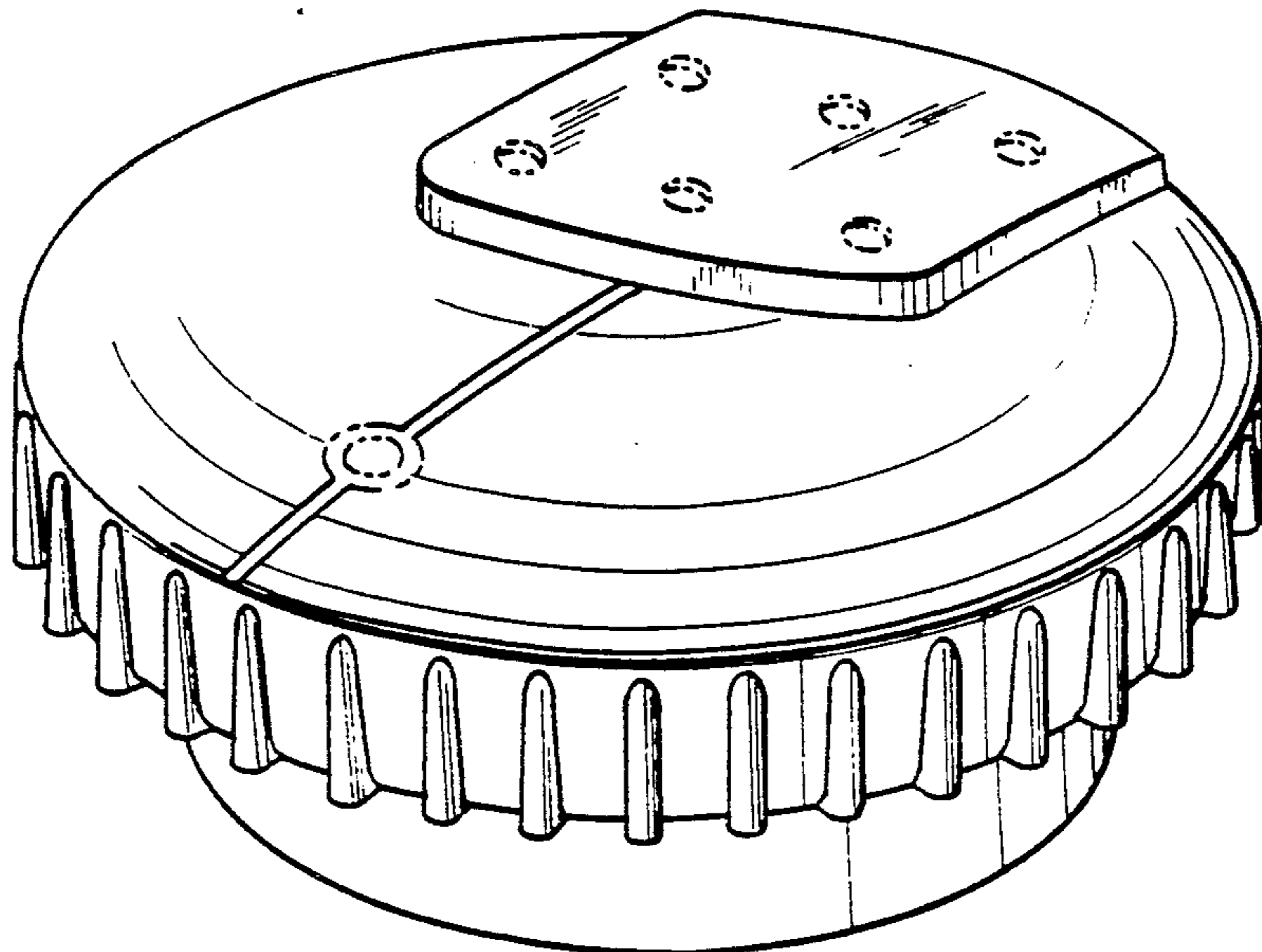


Fig. 1

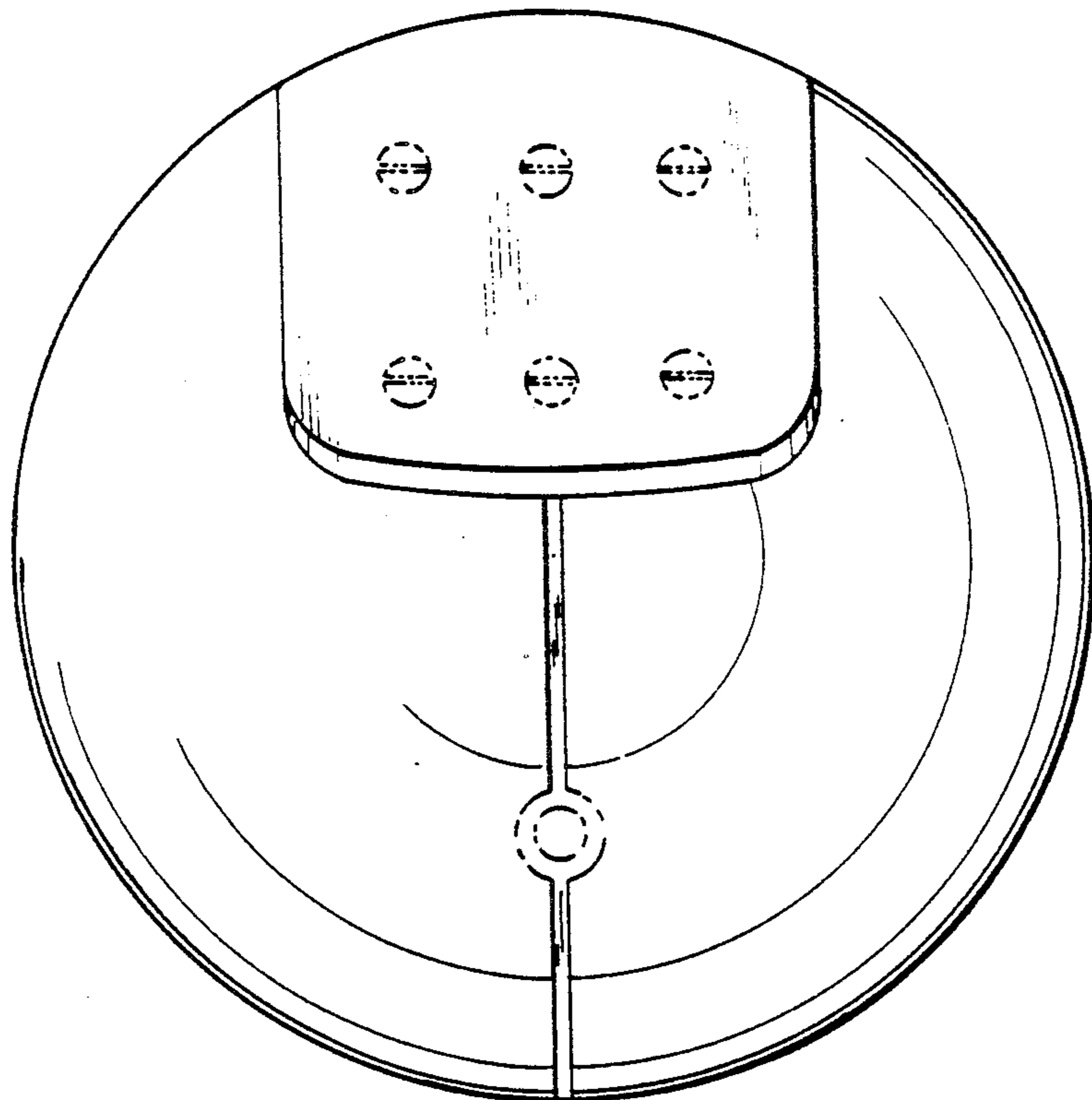
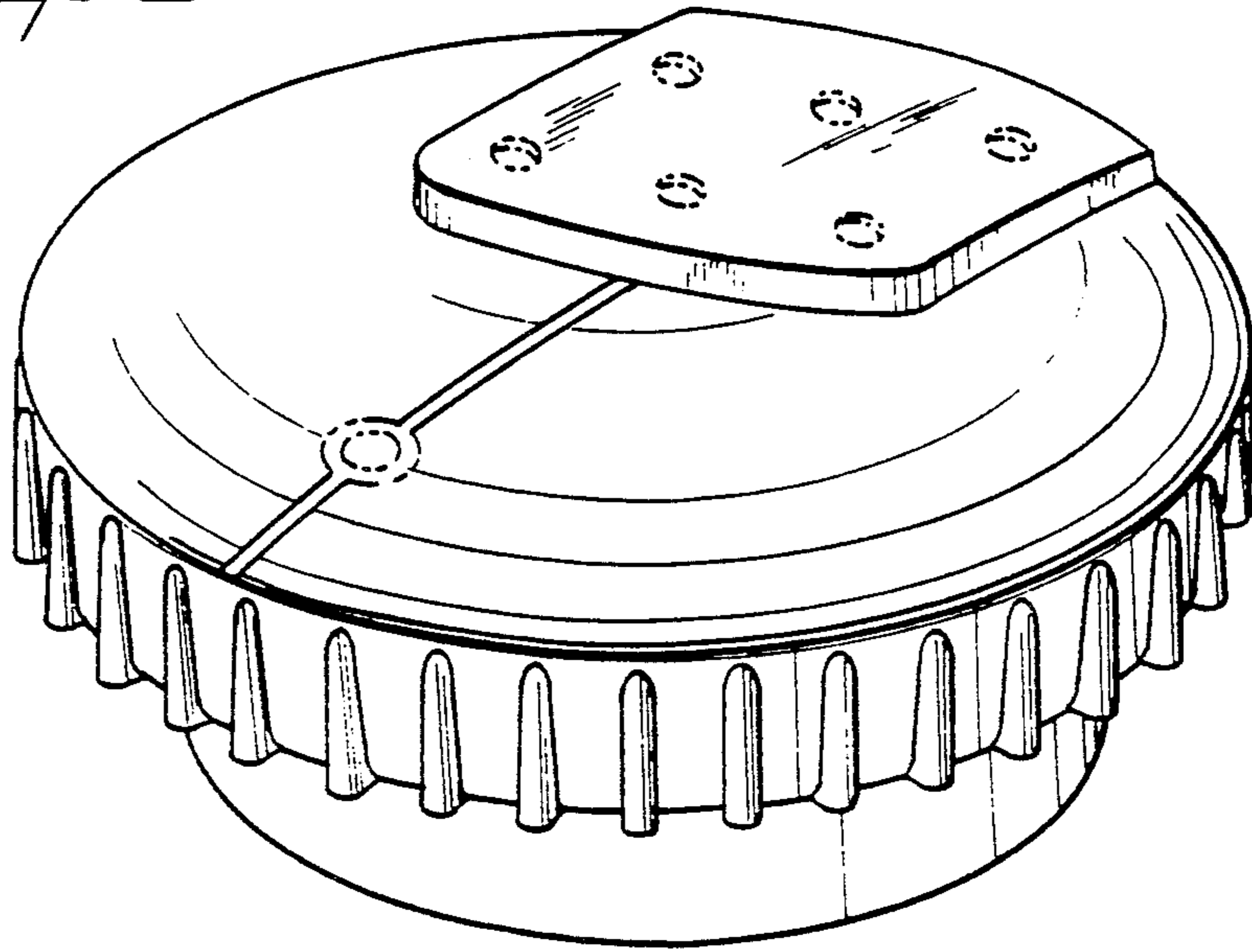


Fig. 2

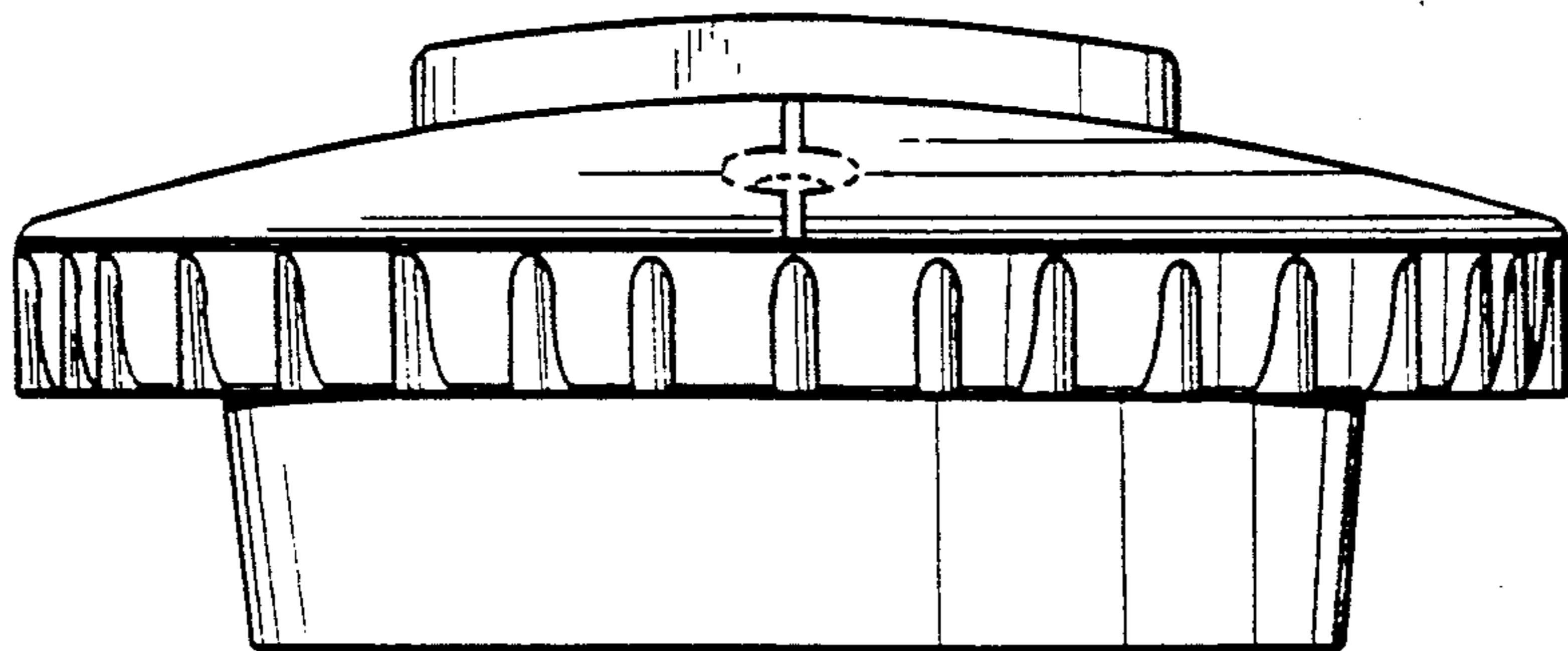


Fig. 3

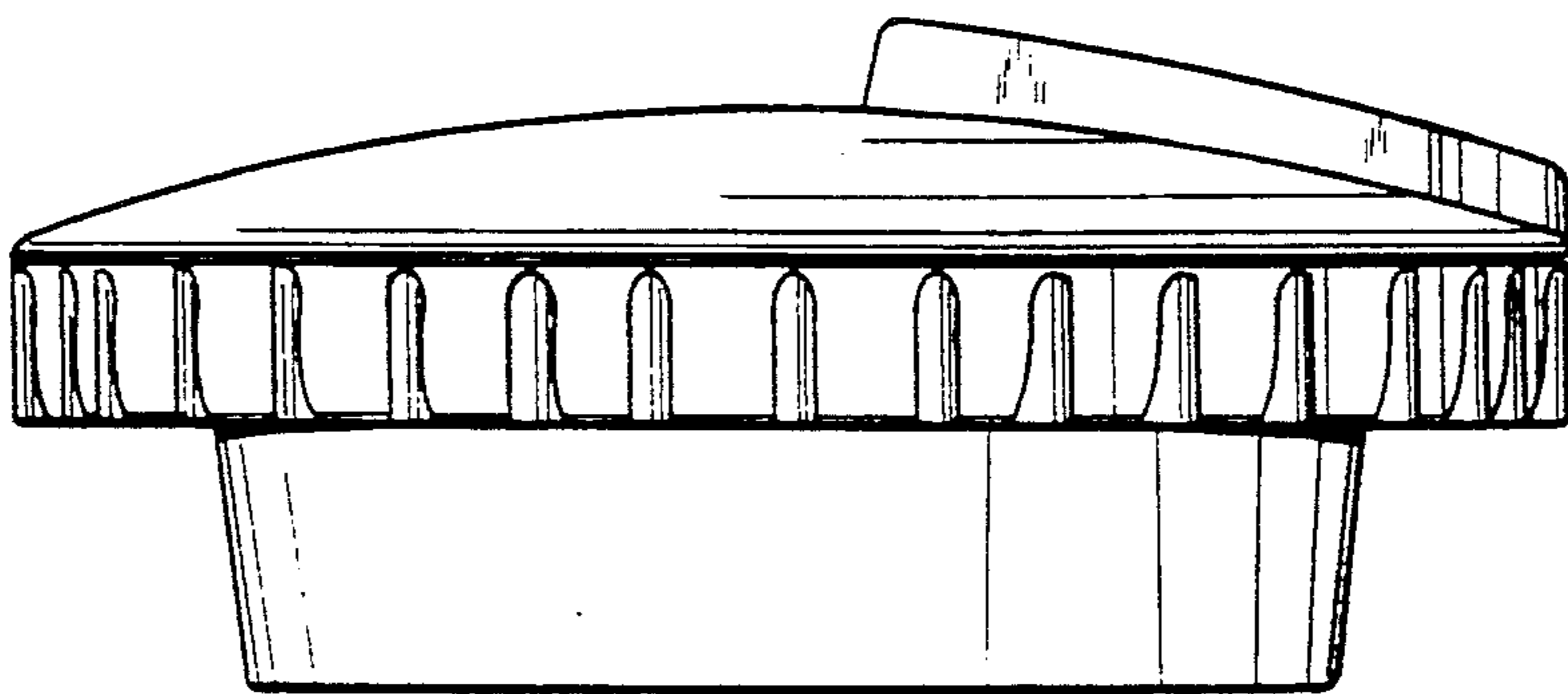


Fig. 4

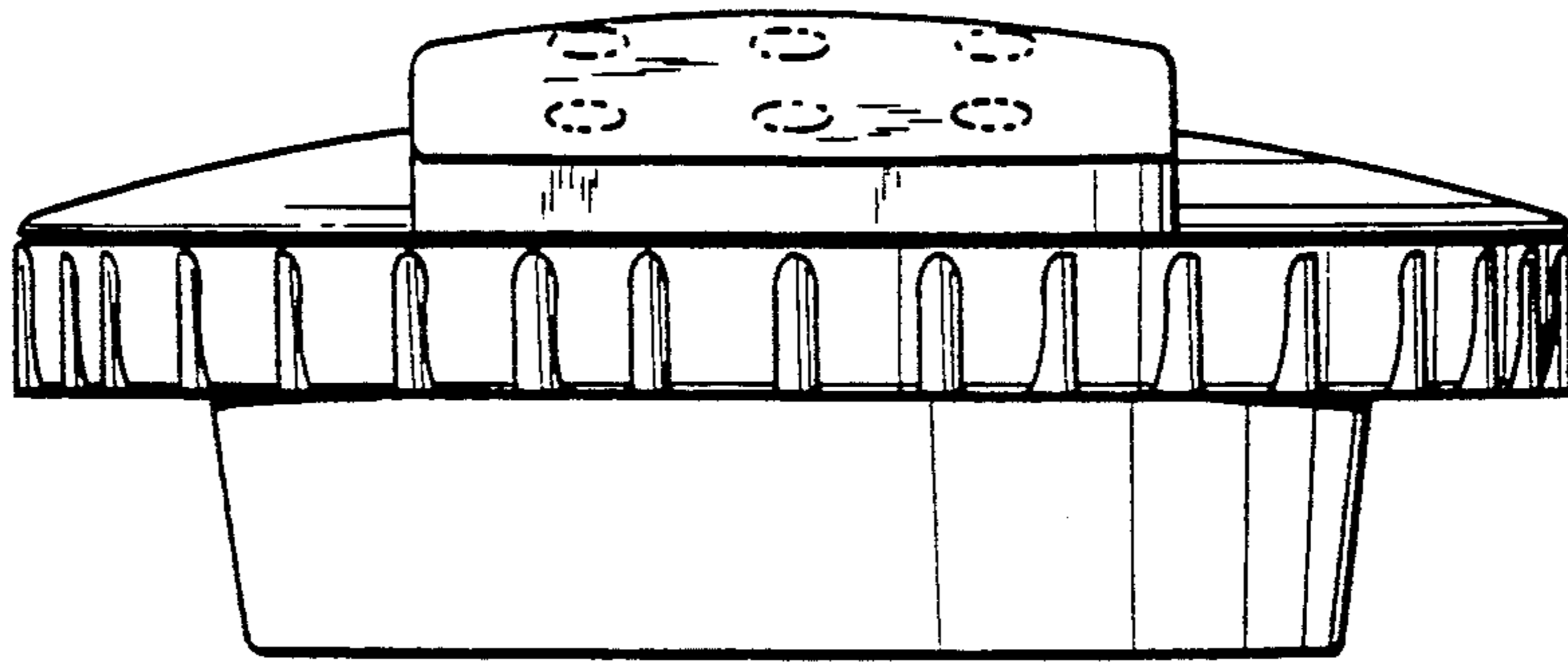


FIG. 5

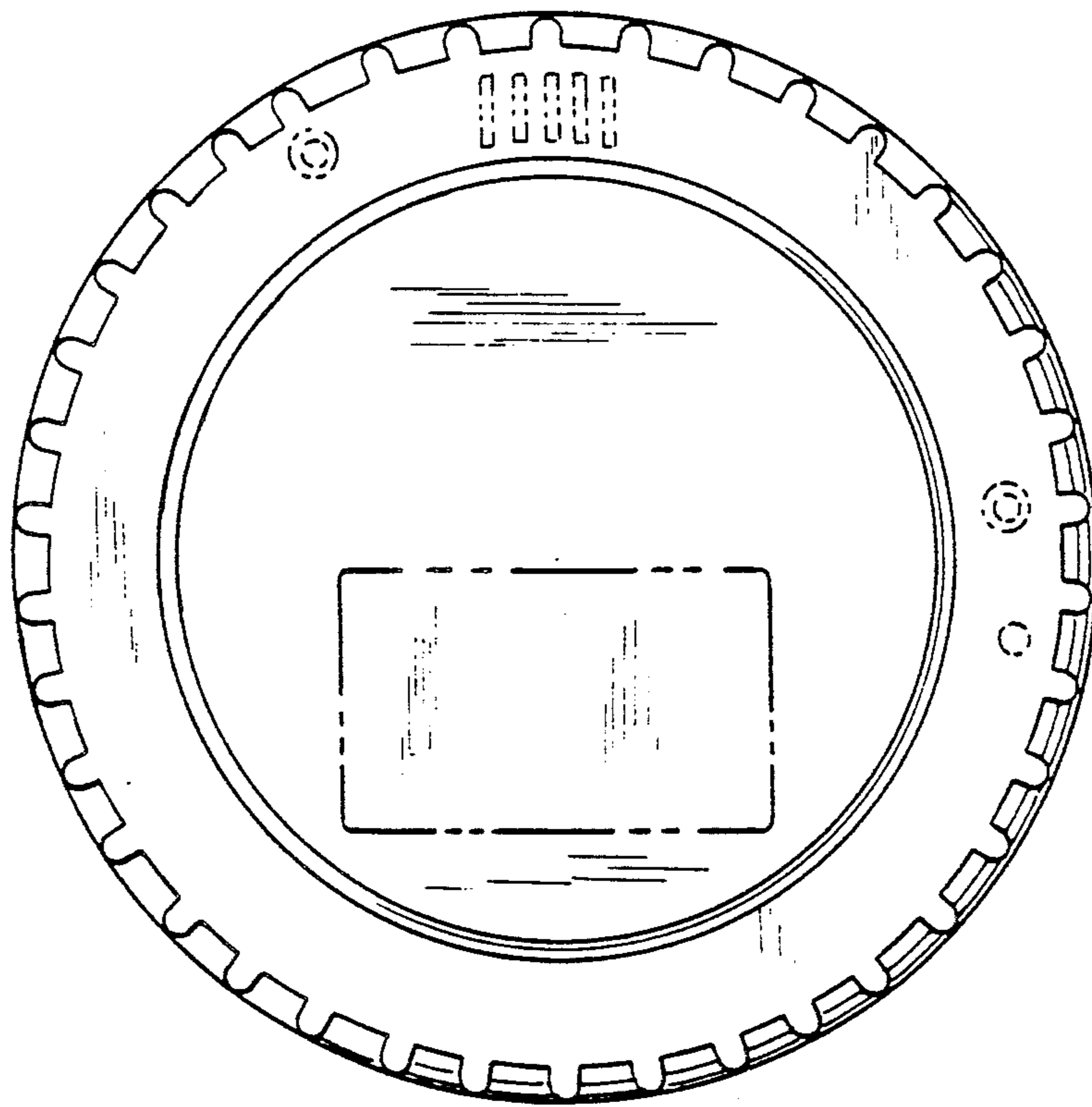


FIG. 6