



US00D326508S

# United States Patent [19]

[11] Patent Number: Des. 326,508

Sauter et al.

[45] Date of Patent: \*\* May 26, 1992

[54] BATHTUB FOR INVALIDS OR THE LIKE

4,953,241 9/1990 Williams ..... 4/556

[75] Inventors: Bruce M. Sauter, Schaumburg, Ill.;  
Robert C. Giese; Todd D.  
Dannenberg, both of Sheboygan,  
Wis.

### OTHER PUBLICATIONS

Bath Ease, Inc. Brochure, ©1989.  
Two pages of Jacob Delafon advertisements, undated,  
admitted prior art, showing the "Eureka" Tub.

[73] Assignee: Kohler Co., Kohler, Wis.

Primary Examiner—James R. Largen  
Attorney, Agent, or Firm—Quarles & Brady

[\*\*] Term: 14 Years

[21] Appl. No.: 463,631

### [57] CLAIM

The ornamental design for a bathtub for invalids or the like, as shown and described.

[22] Filed: Jan. 10, 1990

[52] U.S. Cl. .... D23/279

### DESCRIPTION

[58] Field of Search ..... D23/275, 277-283,  
D23/303-307; D24/204, 205; 4/538, 555, 556,  
571, 573-579, 584, 589, 590, 592, 593

FIG. 1 is a perspective view taken from the top, front and right side of a bathtub for invalids or the like showing our new design;

### [56] References Cited

#### U.S. PATENT DOCUMENTS

D. 248,107	6/1978	Brendgord et al. ....	D23/279
D. 297,161	8/1988	Weschta .....	D23/279
2,456,275	12/1948	Harris .	
2,977,604	4/1961	Miller .....	4/556 X
2,991,482	7/1961	Brass .....	4/556
3,066,316	12/1962	Russell .....	4/556
3,371,354	3/1968	Hayslett .....	4/556
3,719,960	3/1973	Russell .....	4/556
3,863,275	2/1975	Brendgord et al. ....	4/556
4,360,935	11/1982	Barrett, Sr. .	
4,542,545	9/1985	Johnson et al. .	
4,796,312	1/1989	Corlew .....	4/555
4,890,341	1/1990	Forbes .....	4/555

FIG. 2 is a front elevational view thereof;

FIG. 3 is a top plan view thereof;

FIG. 4 is a cross-sectional view taken on line 4—4 of FIG. 3;

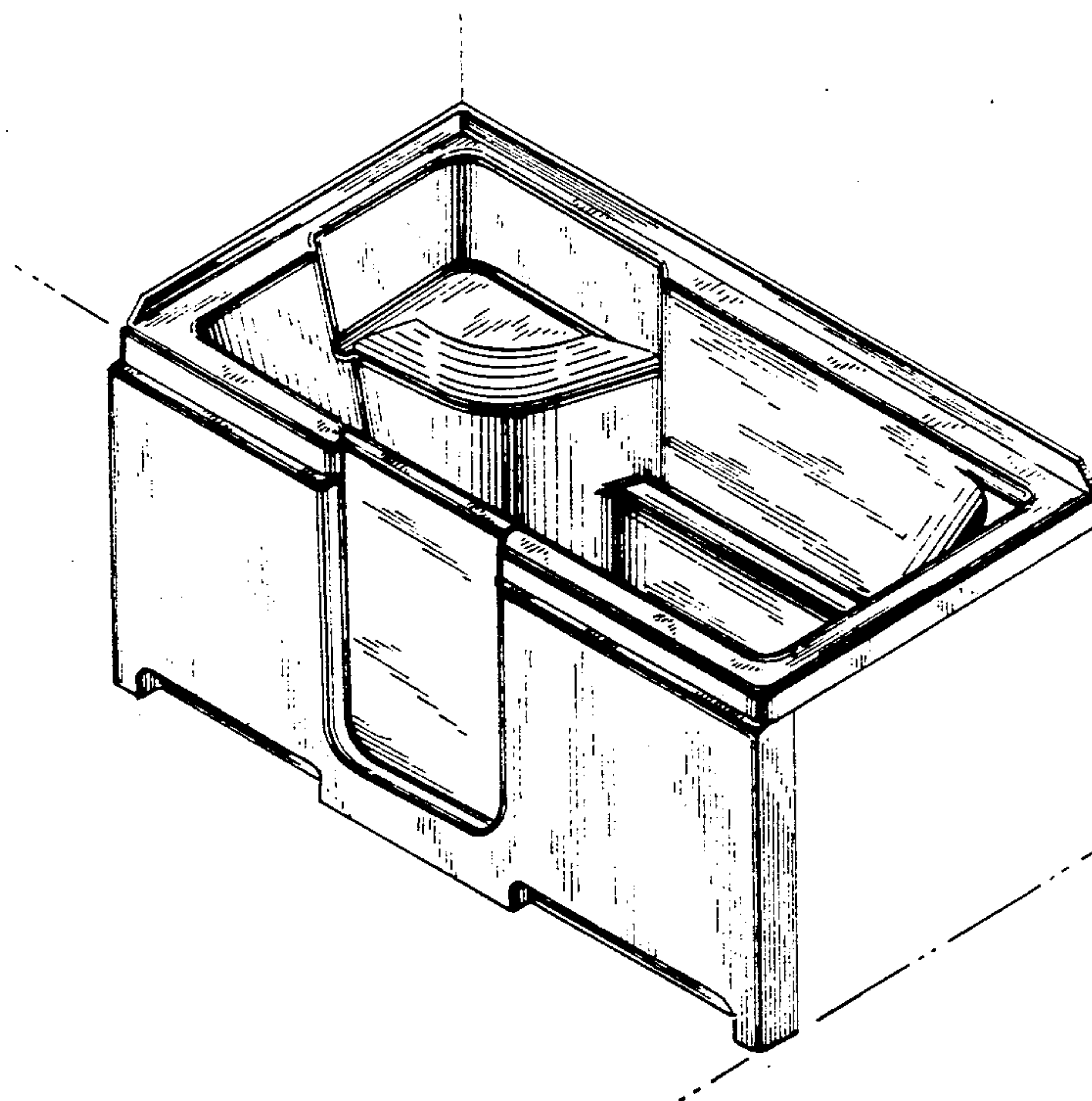
FIG. 5 is a cross-sectional view taken on line 5—5 of FIG. 3;

FIG. 6 is a cross-sectional view taken on line 6—6 of FIG. 3;

FIG. 7 is a cross-sectional view taken on line 7—7 of FIG. 3; and,

FIG. 8 is a top plan view of a second embodiment thereof.

The fragmentary broken line representations of walls in FIG. 1 are for the purpose of illustration only and form no part of the claimed design.



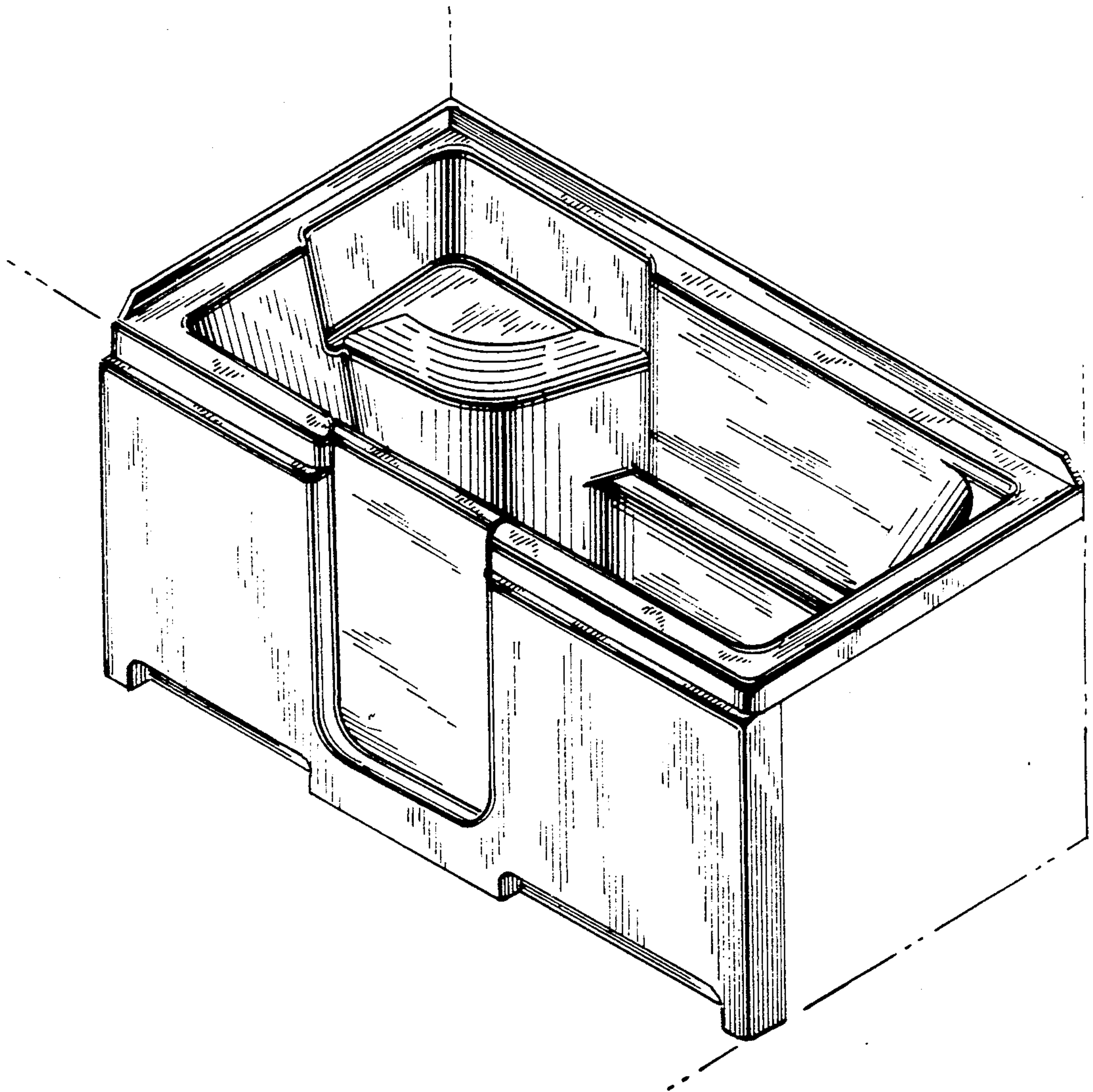


FIG. 1



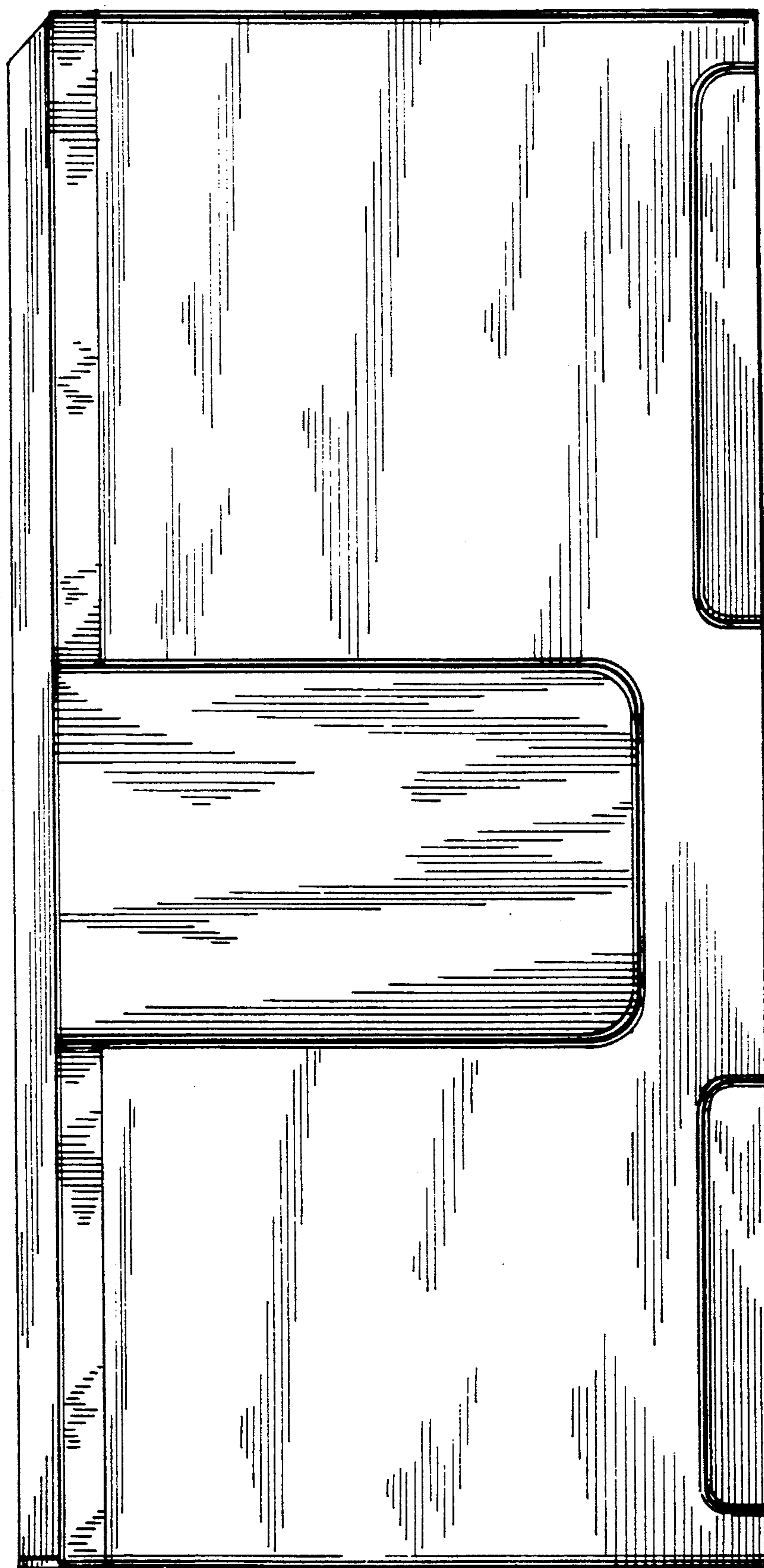


FIG. 2

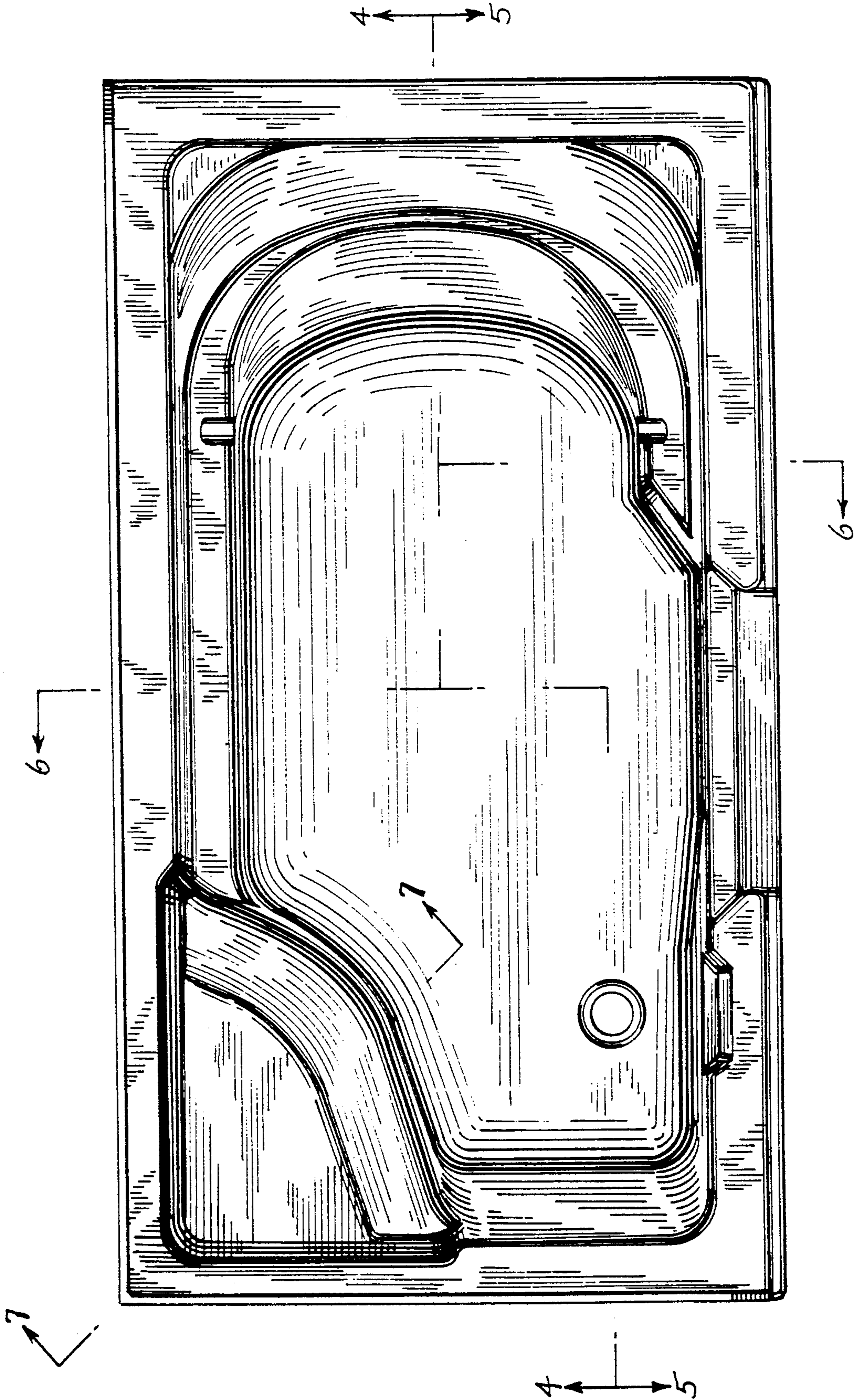


FIG. 3

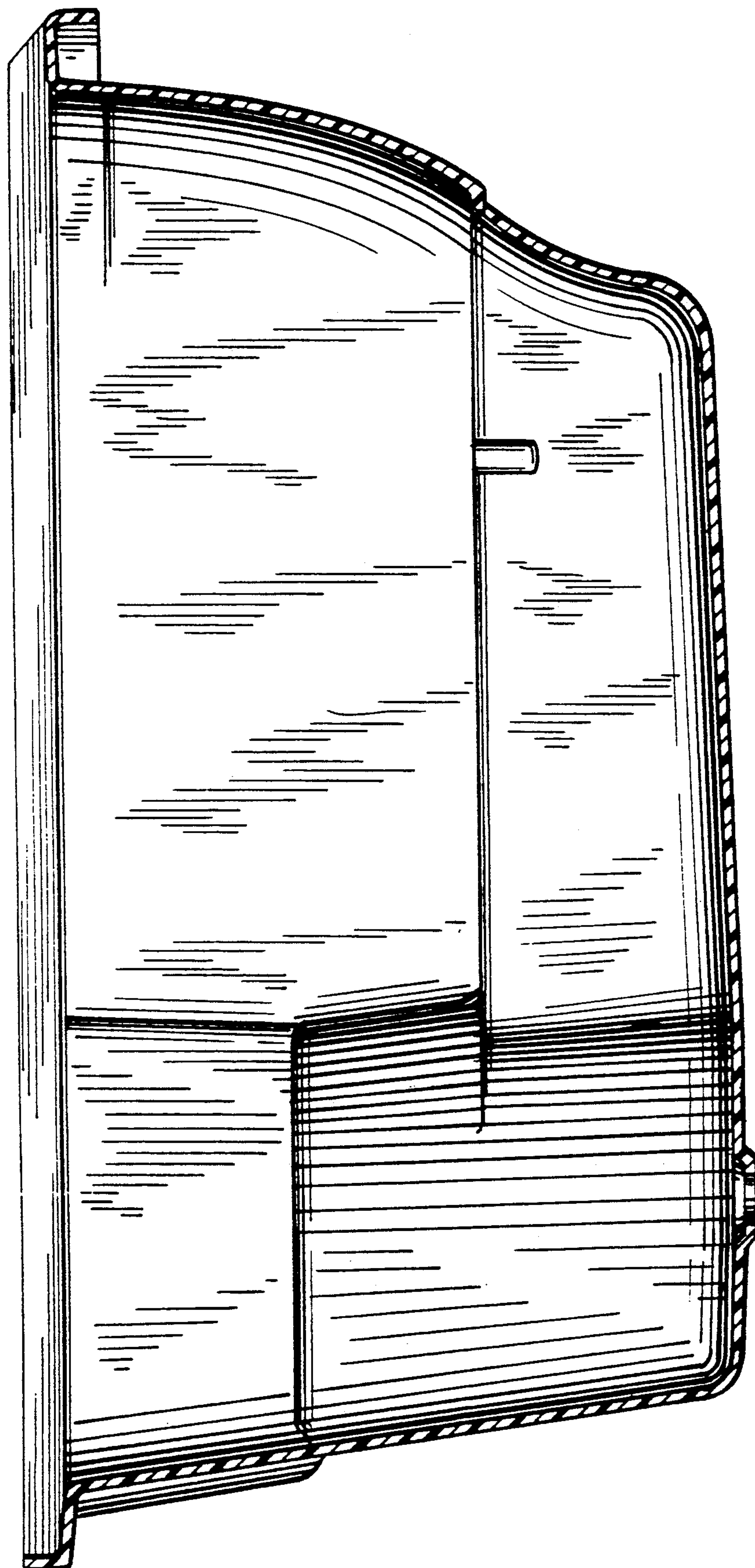


FIG. 4



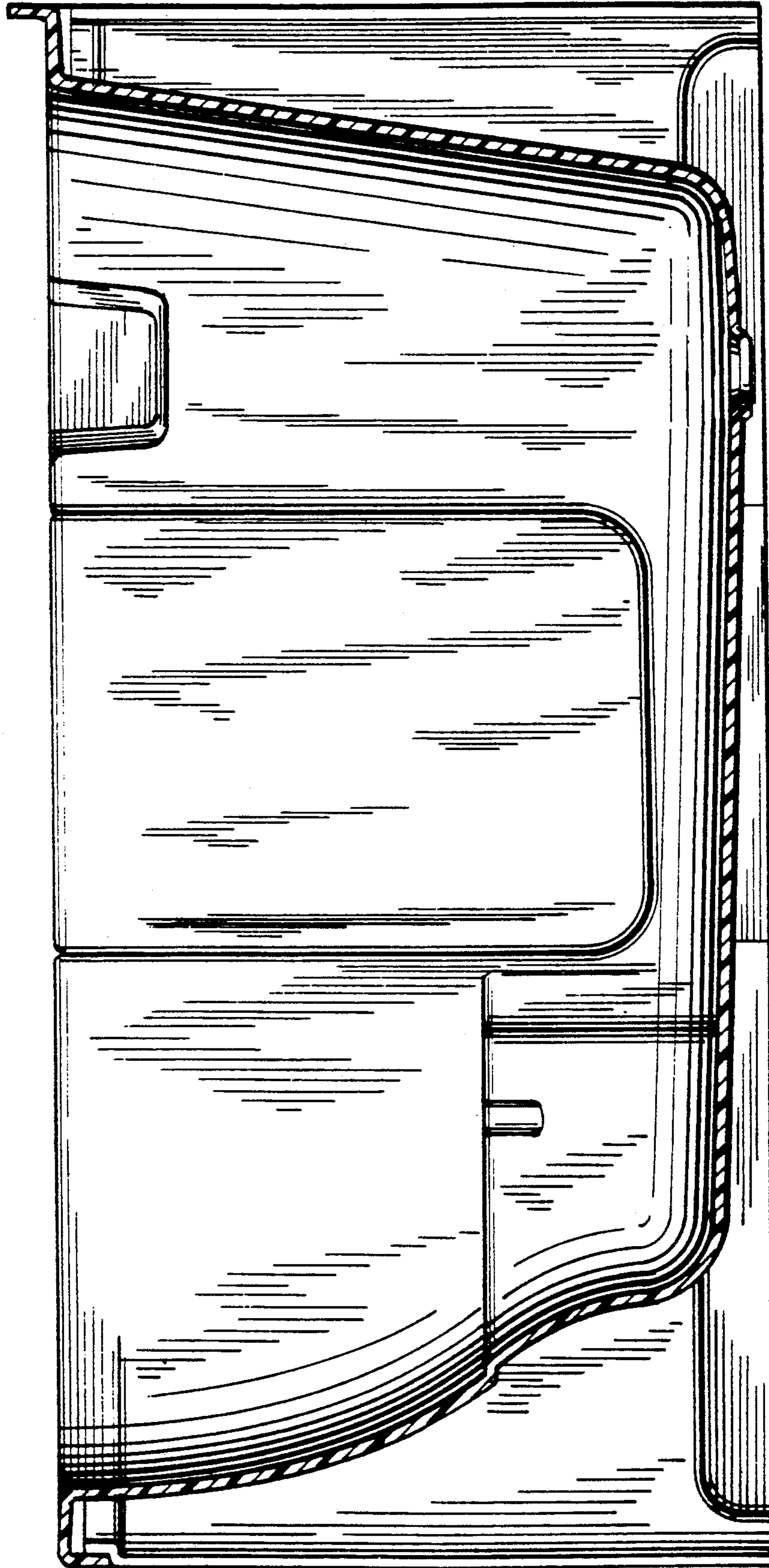


FIG. 5

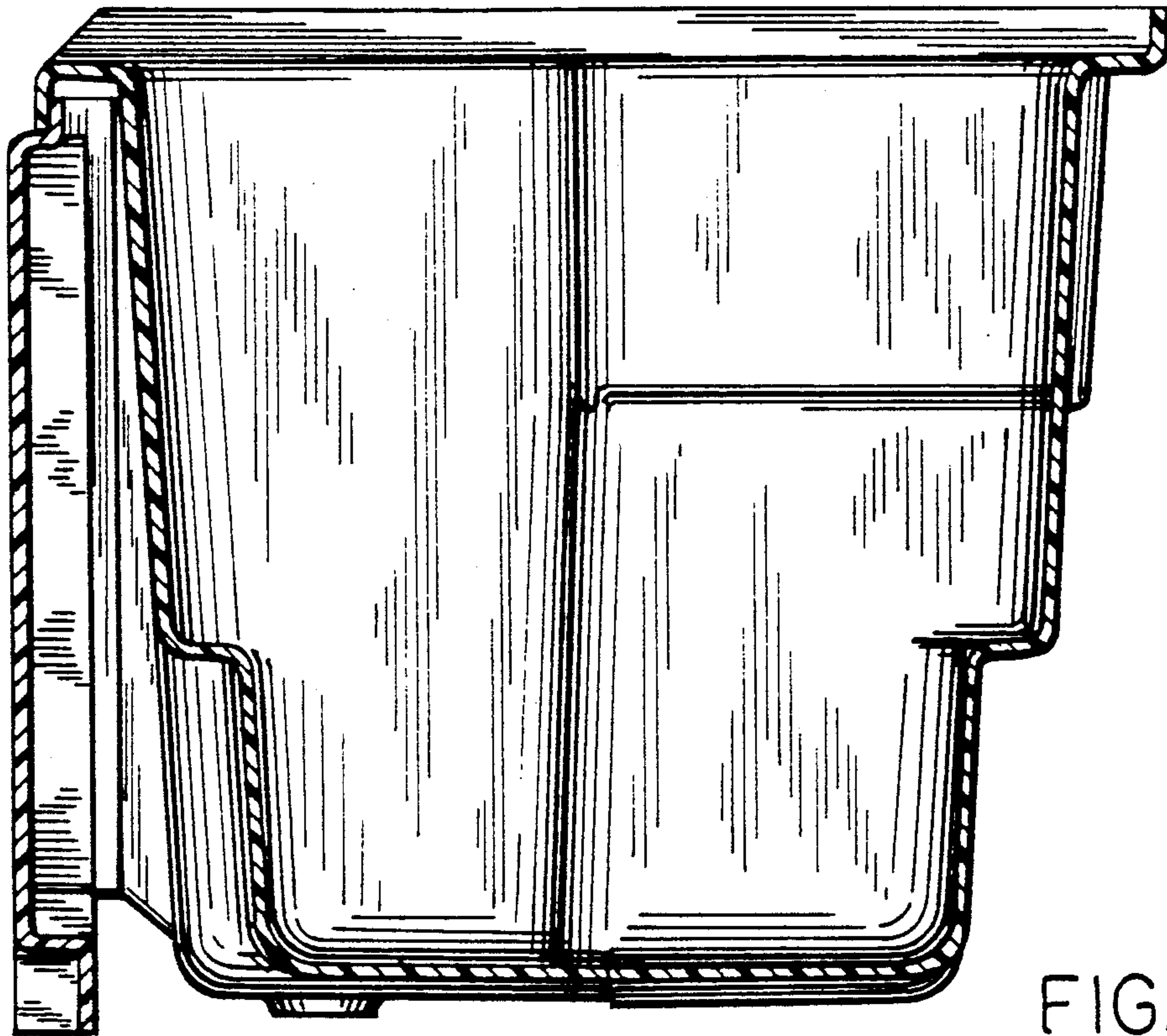


FIG. 6

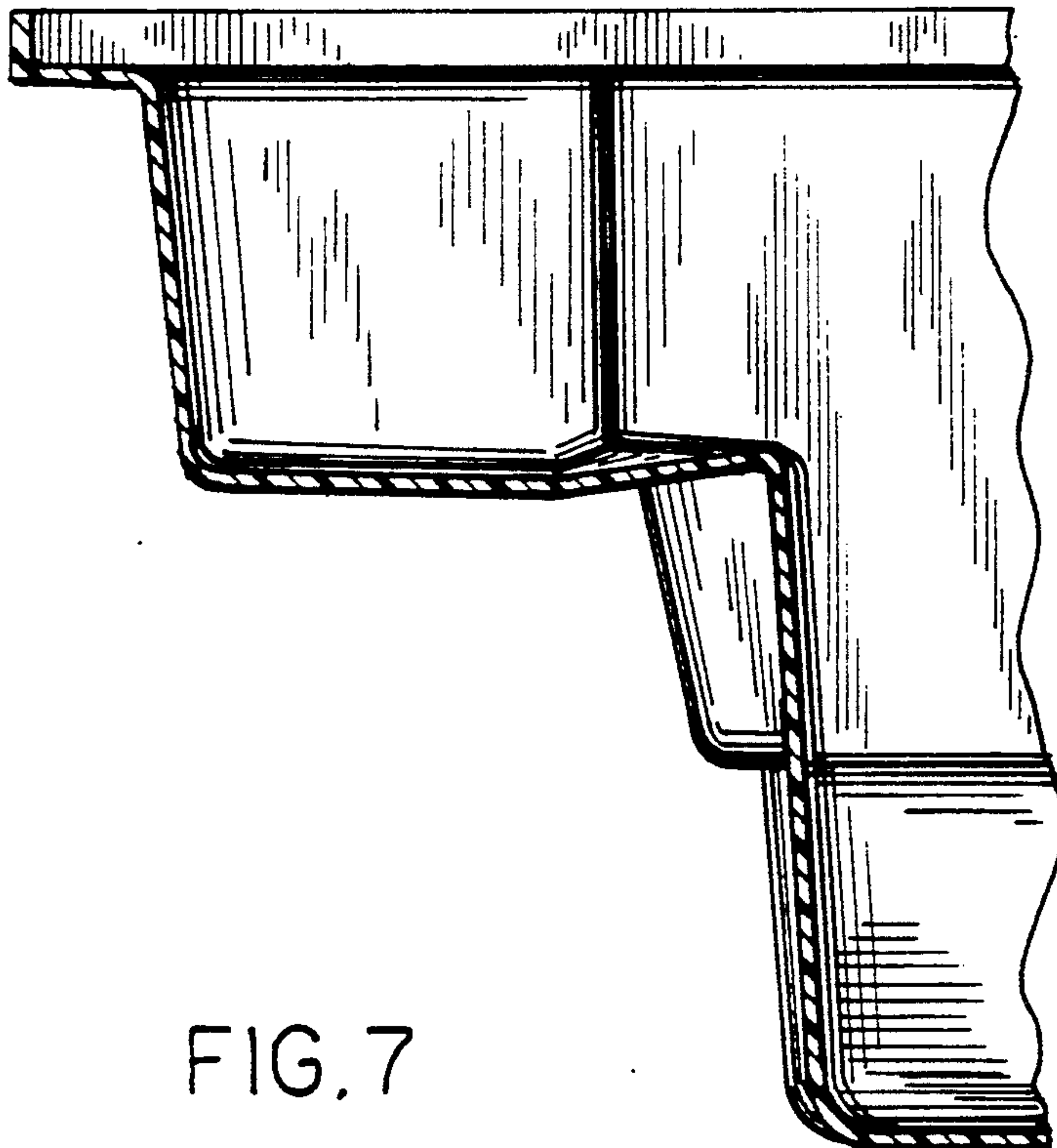


FIG. 7

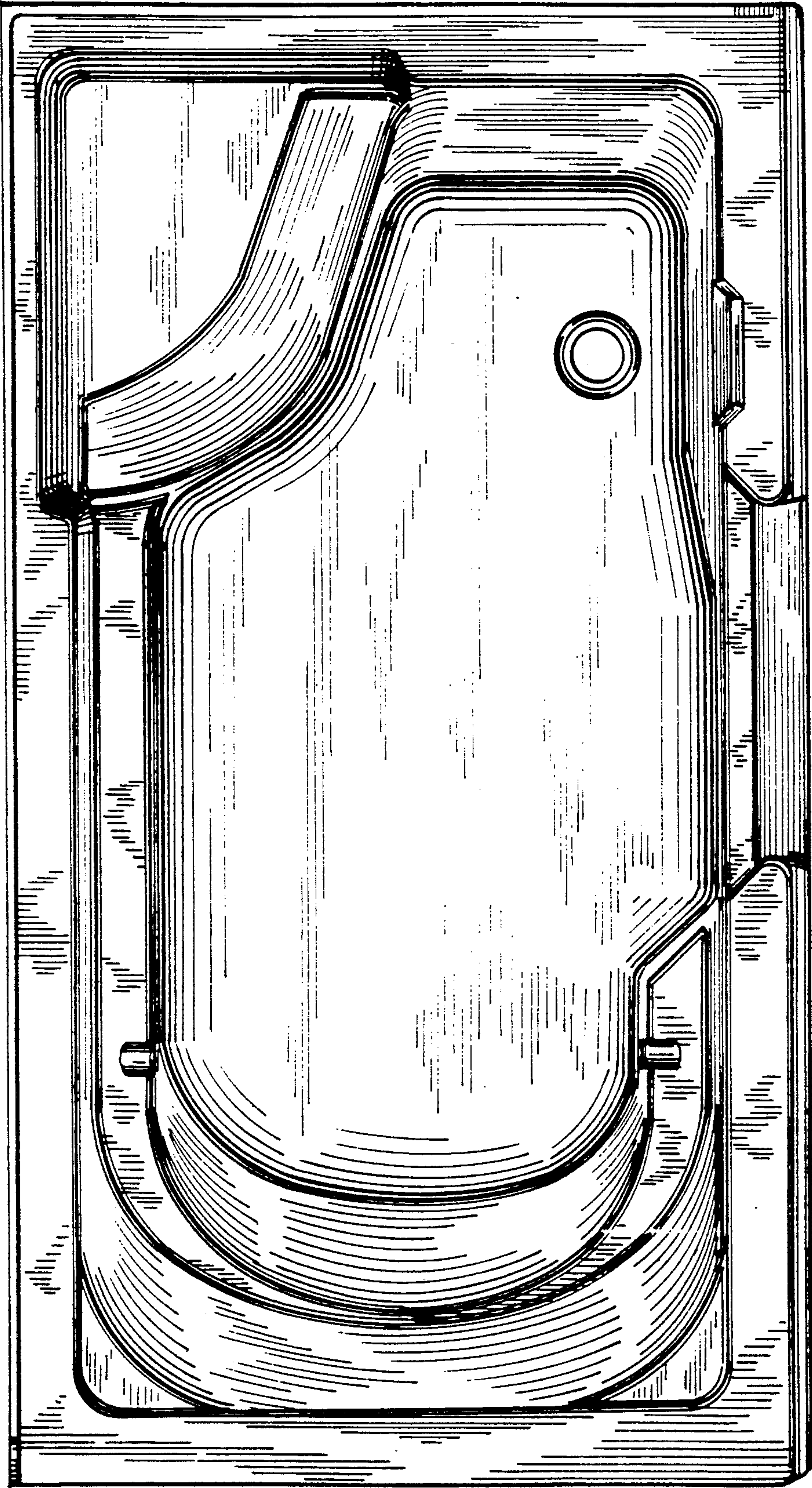


FIG. 8