



US00D326507S

United States Patent [19]

[11] Patent Number: **Des. 326,507**

Rowley

[45] Date of Patent: **** May 26, 1992**

[54] **END CAP FOR A MOTORHOME WASTE LINE**

[76] Inventor: **Carl K. Rowley**, 3878 Mound Ave.,
Ventura, Calif. 93003

[*] Notice: The portion of the term of this patent
subsequent to Oct. 26, 2004 has been
disclaimed.

[**] Term: **14 Years**

[21] Appl. No.: **421,348**

[22] Filed: **Oct. 11, 1988**

[52] U.S. Cl. **D23/260**

[58] Field of Search **D23/260-263;**
4/255, 287, 293, 295; 138/89, 92, 96 R, 96 T;
285/361, 423, 903

[56] **References Cited**

U.S. PATENT DOCUMENTS

D. 223,156 3/1972 Campbell D23/260

D. 229,496	12/1973	Hand	D23/262
D. 246,250	11/1977	Baldwin	D23/262
3,713,463	1/1973	Bywater, Jr.	138/96 T X
4,133,347	1/1979	Mercer	285/423 X
4,360,041	11/1982	Hagan	138/96 T X
4,554,949	11/1985	Sell	137/899
4,688,833	8/1987	Todd	285/361 X
4,708,370	11/1987	Todd	285/361 X
4,854,349	8/1989	Foreman	138/89

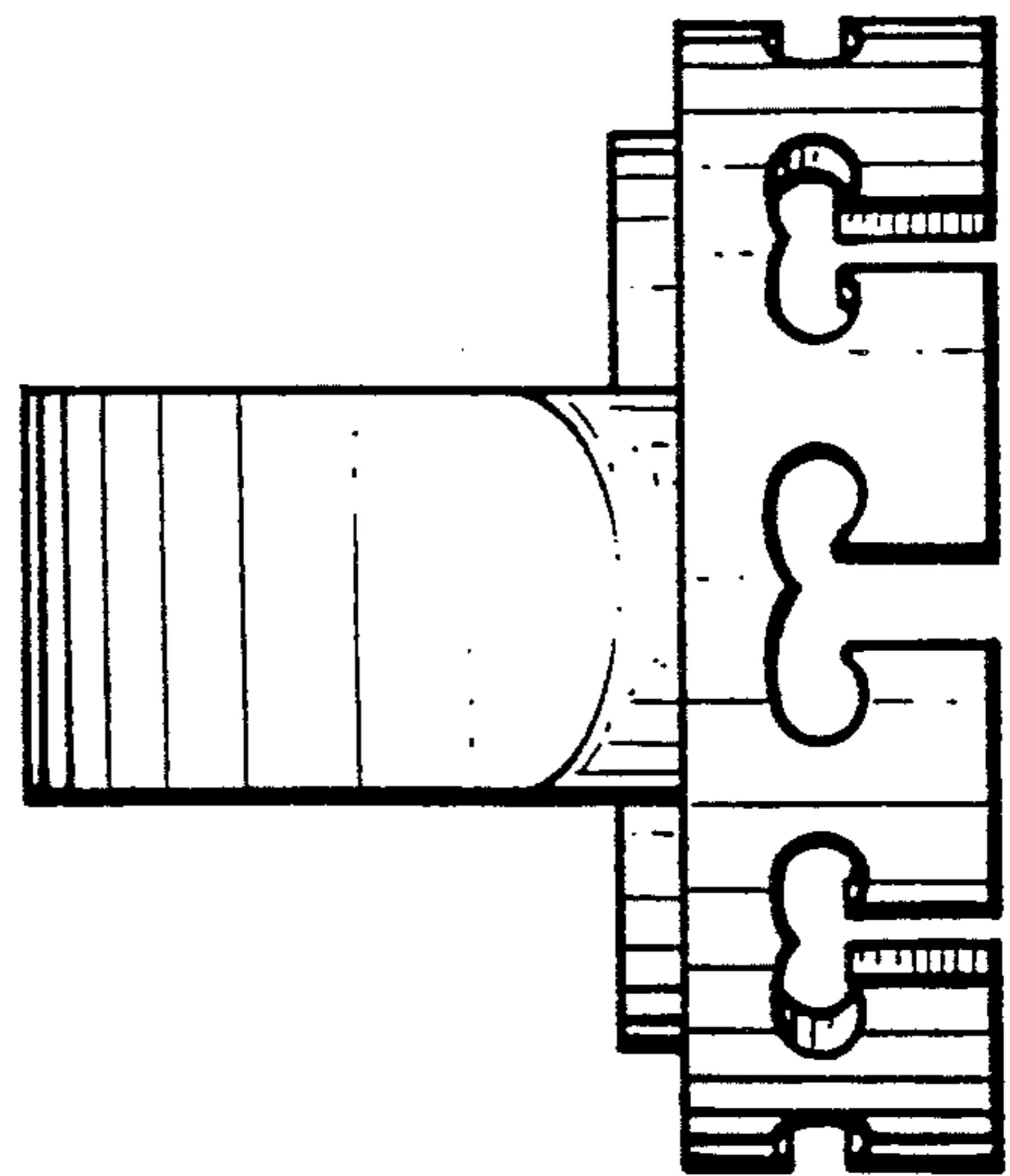
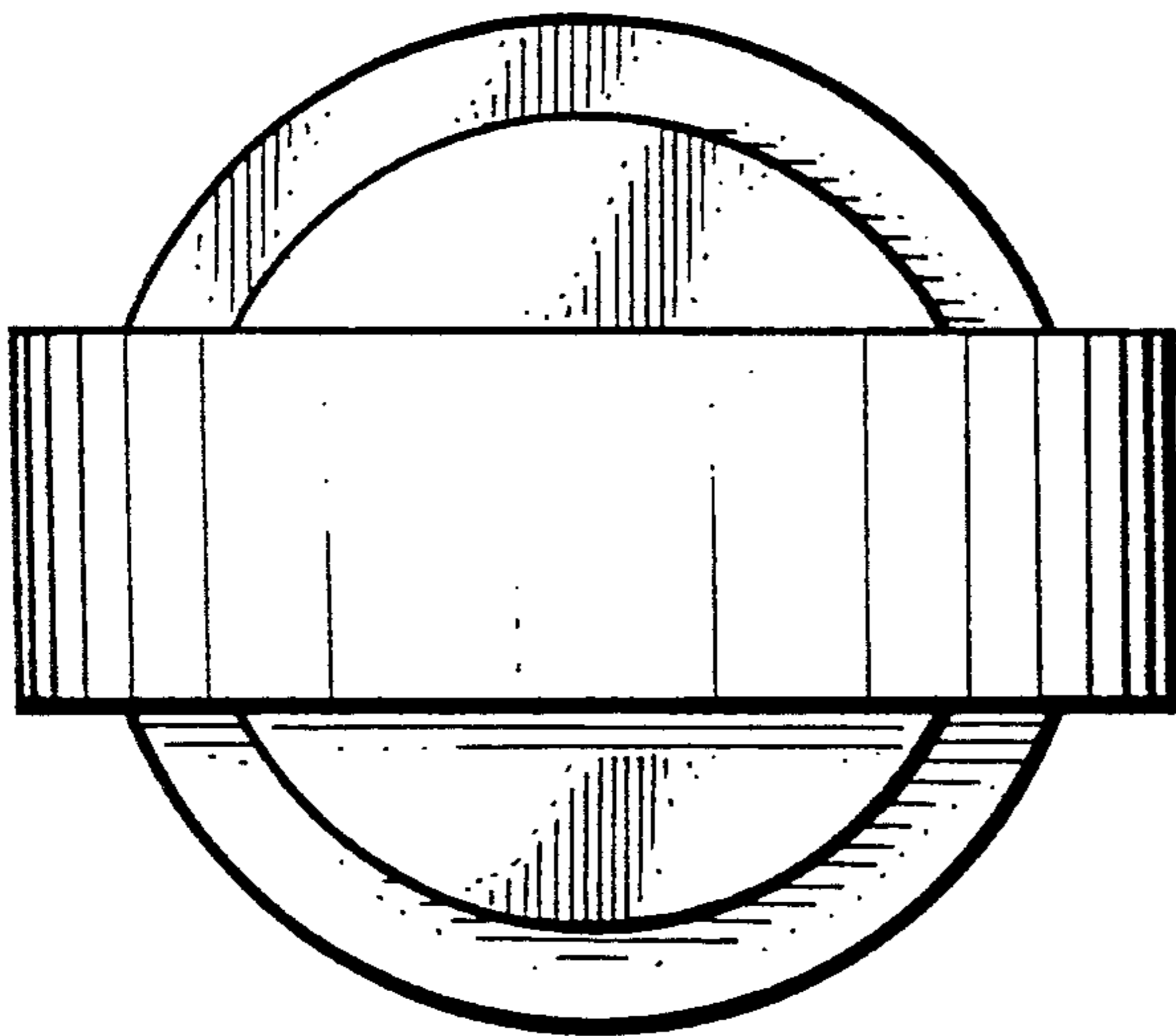
Primary Examiner—James R. Largen

[57] **CLAIM**

The ornamental design for an end cap for a motorhome waste line, as shown and described.

DESCRIPTION

FIG. 1 is a front elevational view of an end cap for a motorhome waste line showing my new design; FIG. 2 is a right side elevational view thereof, the left side being a mirror image of the right side; FIG. 3 is a rear elevational view thereof; and, FIG. 4 is a top plan view thereof, the bottom being a mirror image of the top.



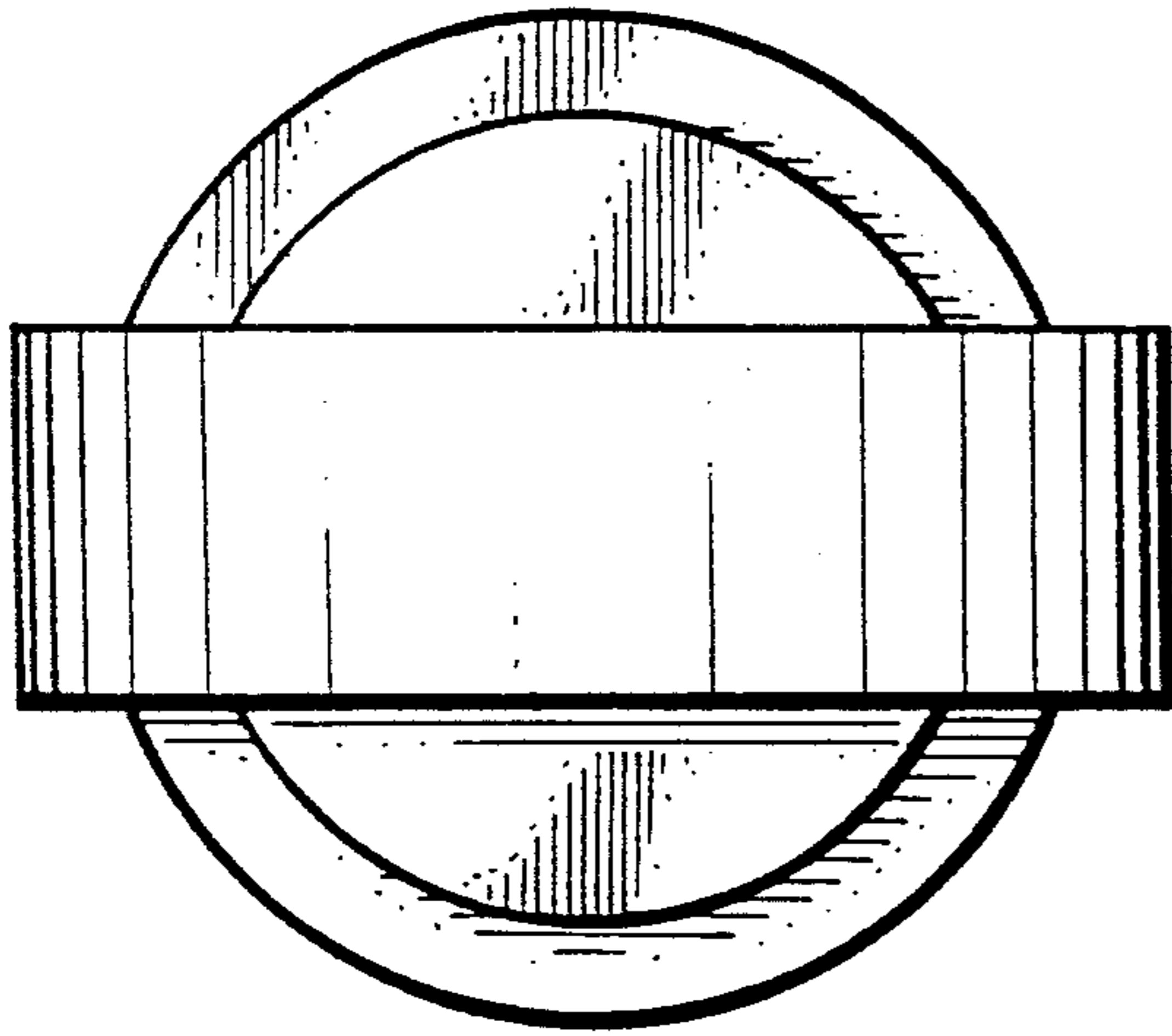


Fig. 1.

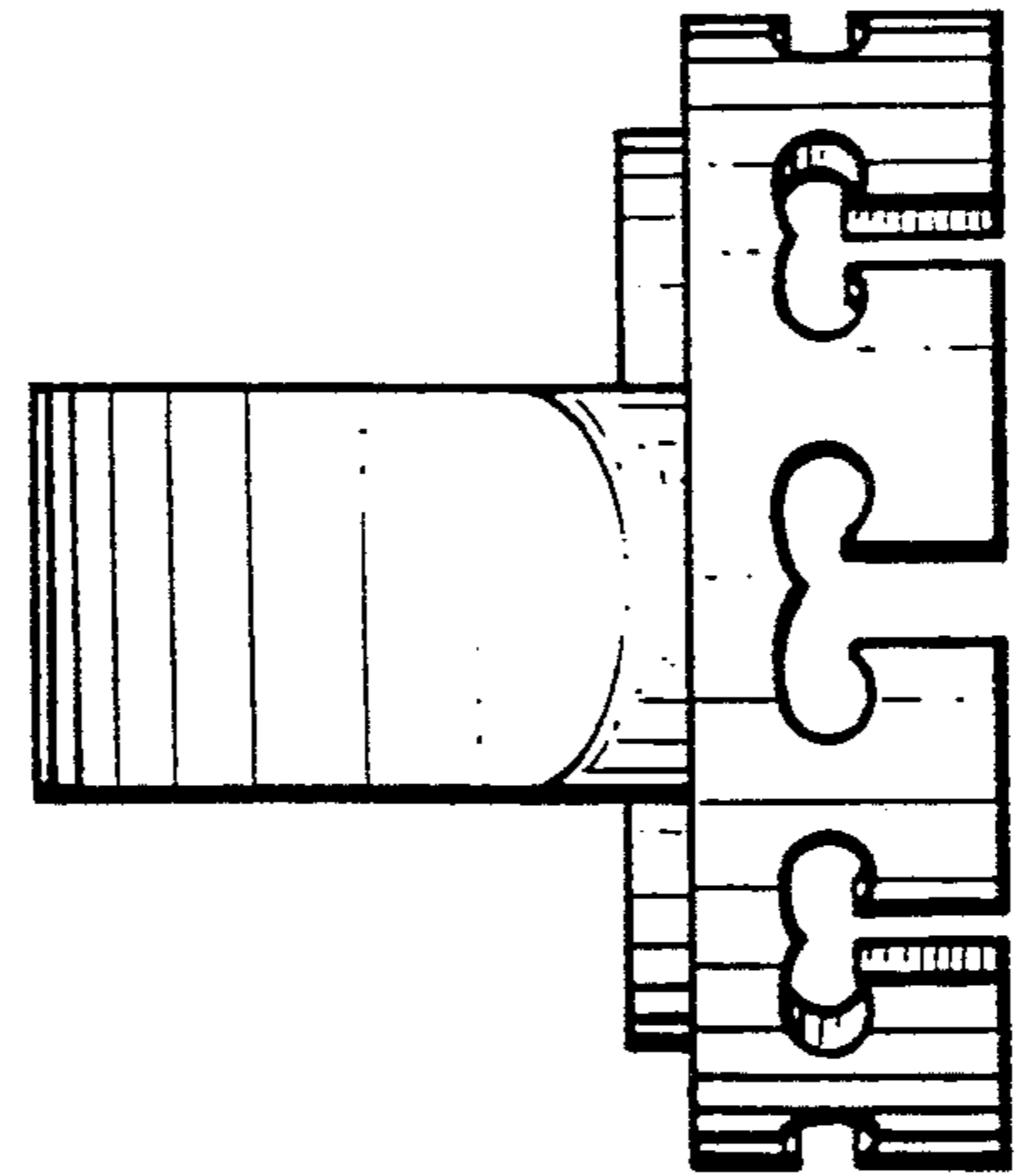


Fig. 2.

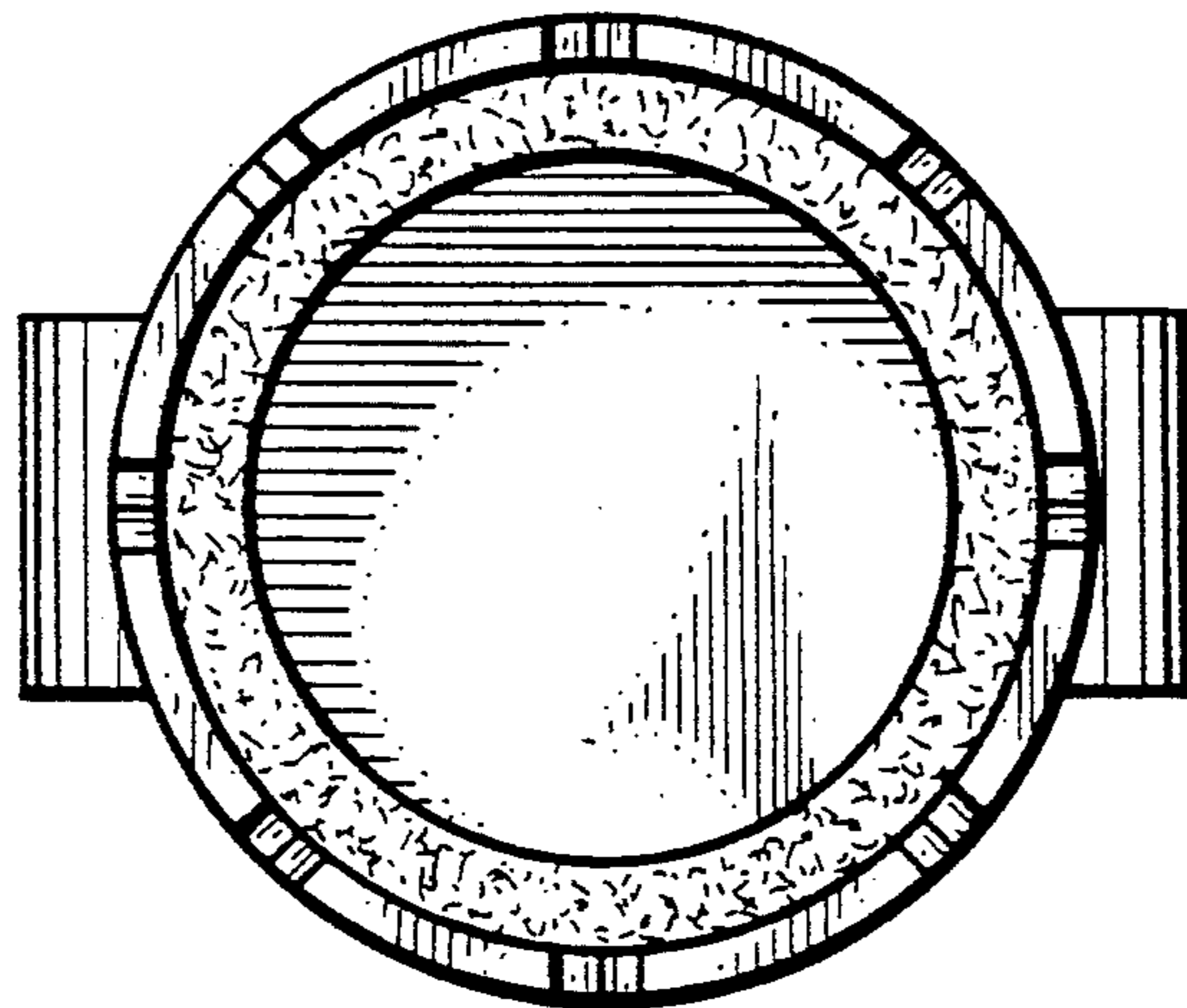


Fig. 3.

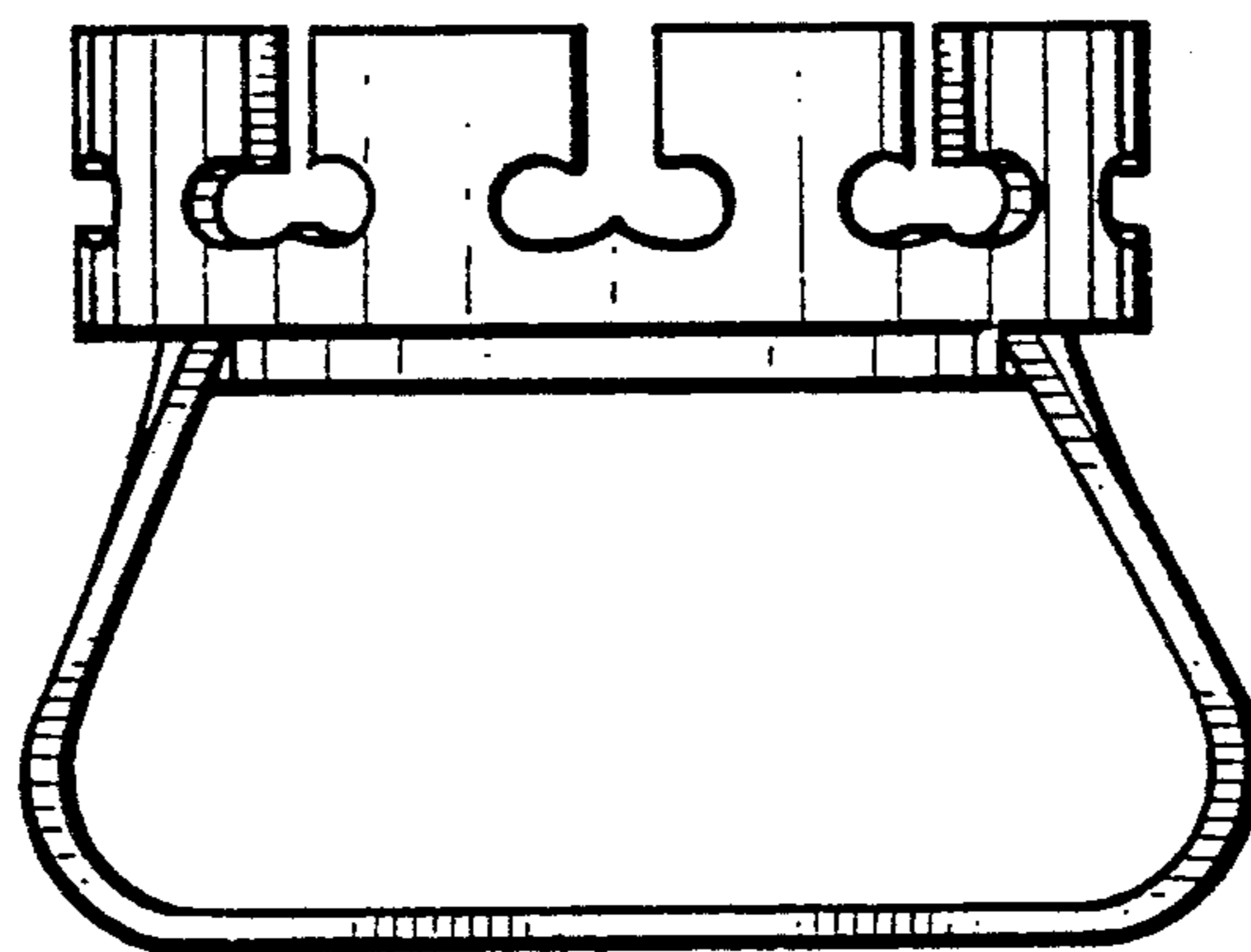


Fig. 4.