



US00D326506S

# United States Patent [19]

[11] Patent Number: **Des. 326,506**

**Kohler, Jr.**

[45] Date of Patent: **\*\* May 26, 1992**

[54] **SPOUT**

[75] Inventor: **Herbert V. Kohler, Jr., Kohler, Wis.**

[73] Assignee: **Jacob Delafon, Paris, France**

[\*\*] Term: **14 Years**

[21] Appl. No.: **433,081**

[22] Filed: **Nov. 6, 1989**

[52] U.S. Cl. .... **D23/255**

[58] Field of Search ..... **D23/238-243,  
D23/255-257; 4/191, 192; 137/801**

[56] **References Cited**

**U.S. PATENT DOCUMENTS**

D. 313,835 1/1991 Knapp ..... D23/238

**OTHER PUBLICATIONS**

An undated advertisement by Jacob Delafon for a "Skipper" Faucet (admitted prior art).

Page 26 for a Harden catalog, undated, showing the Series 57 set of spouts (admitted prior art).

*Primary Examiner*—James R. Largen  
*Attorney, Agent, or Firm*—Quarles & Brady

[57] **CLAIM**

The ornamental design for a spout, as shown and described.

**DESCRIPTION**

FIG. 1 is a perspective view taken from the top, front and left side of a spout showing my new design;

FIG. 2 is a left side elevational view thereof;

FIG. 3 is a front elevational view thereof;

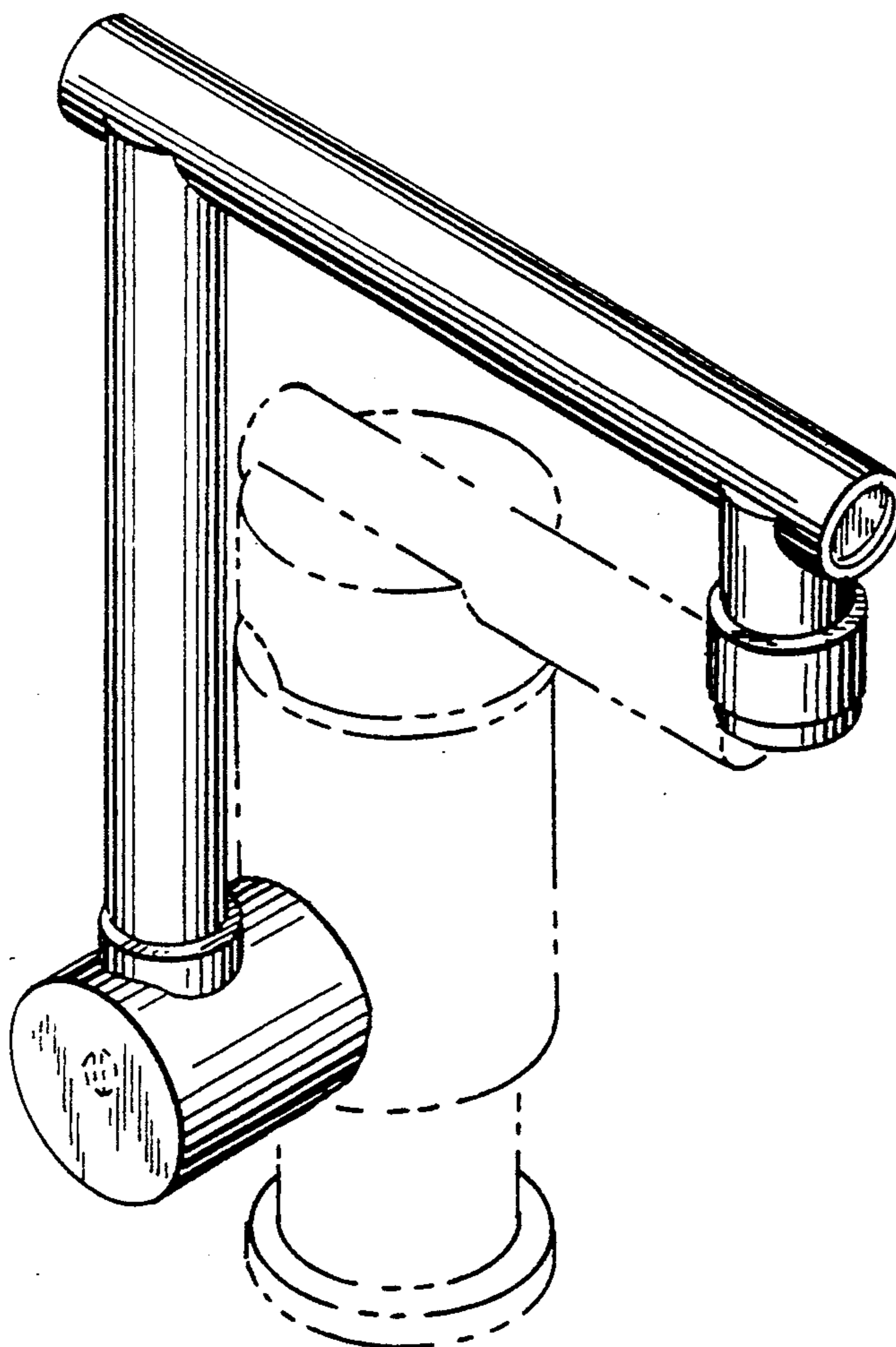
FIG. 4 is a right side elevational view thereof;

FIG. 5 is a rear elevational view thereof;

FIG. 6 is a top plan view thereof; and,

FIG. 7 is a left side elevational view of a second embodiment thereof.

The broken line representations of screw heads in FIGS. 1, 2 and 7, and the broken line representations of a base portion and control handle in FIGS. 1-3 and 5-7 are for the purpose of illustration only and form no part of the claimed design.



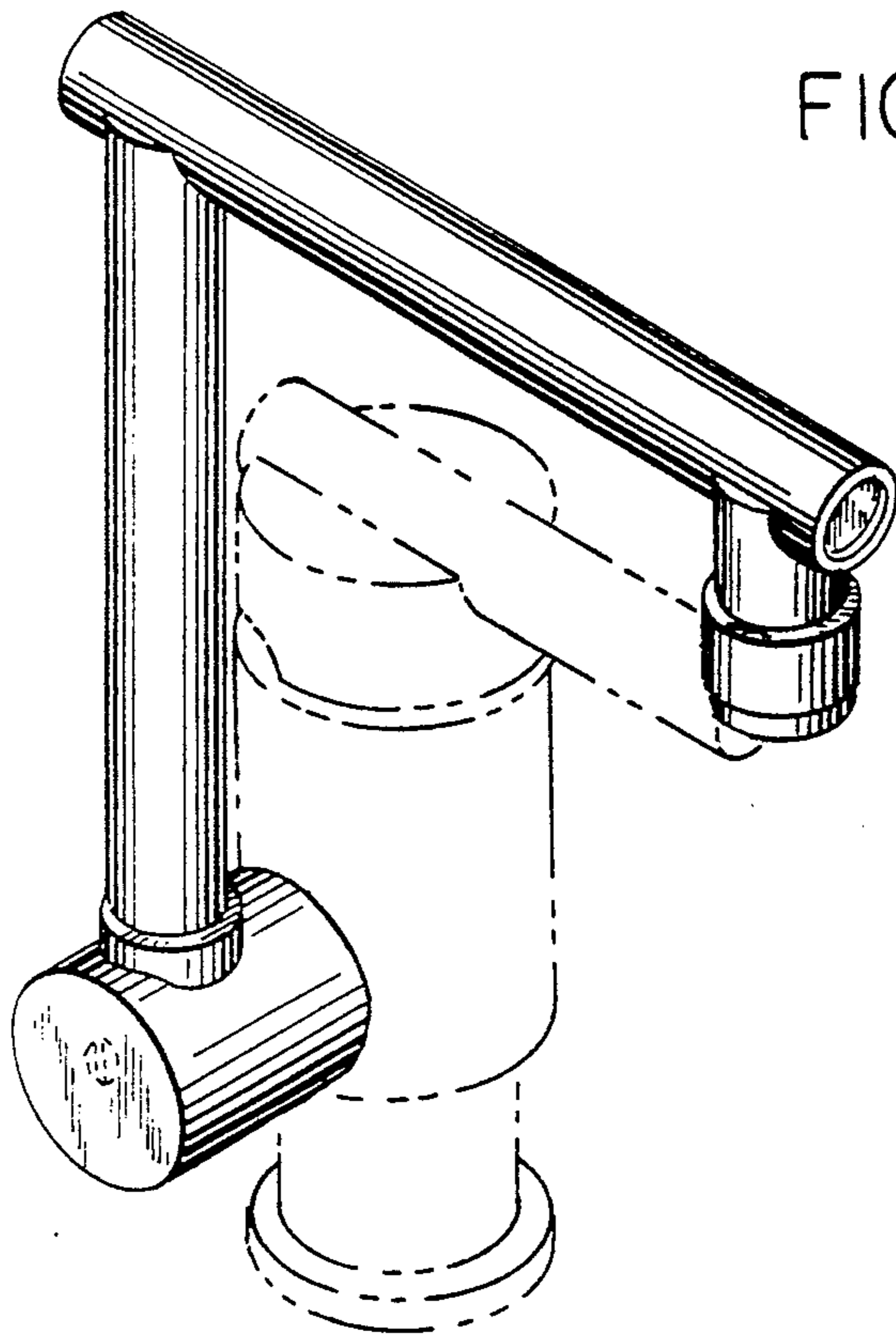


FIG. 1

FIG. 2

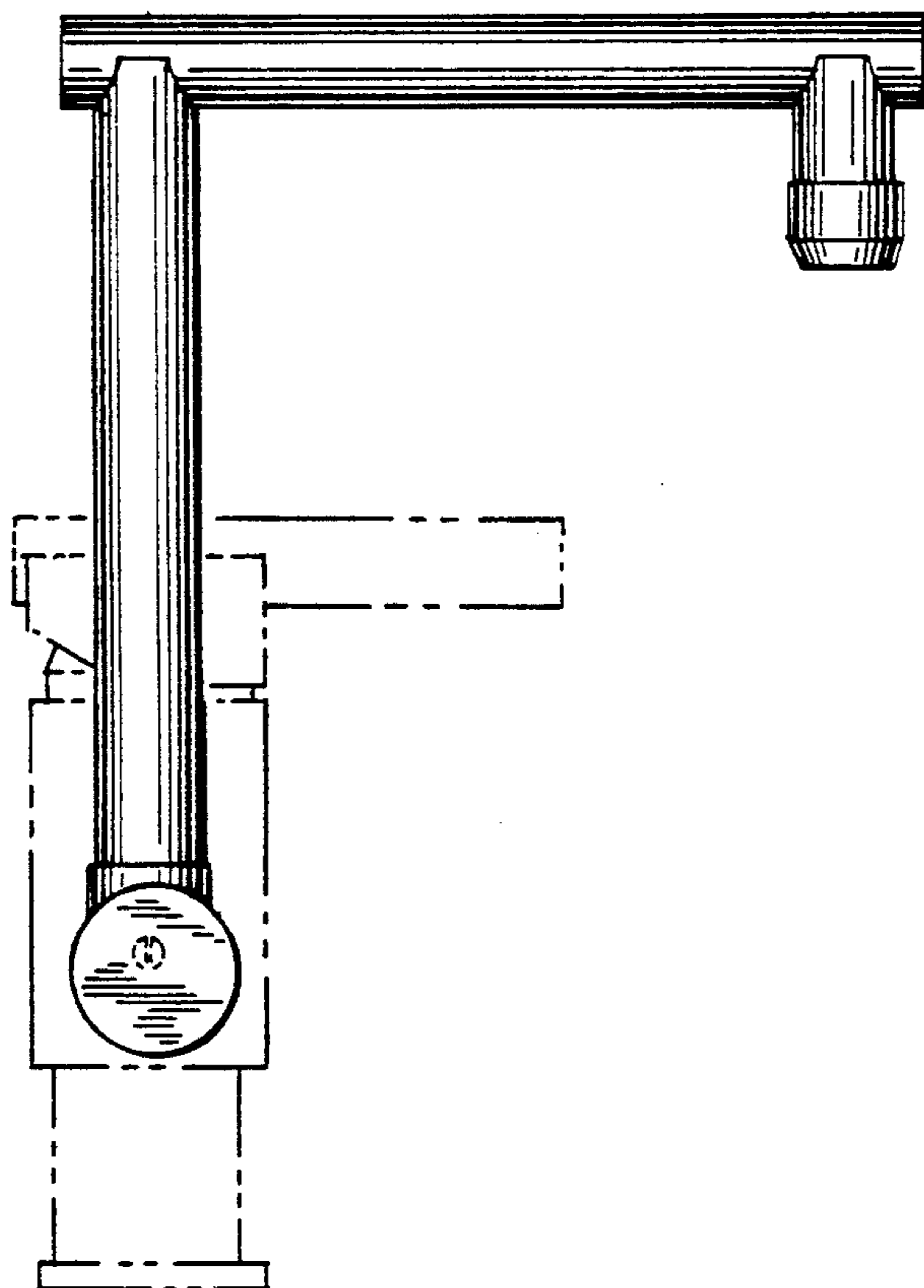
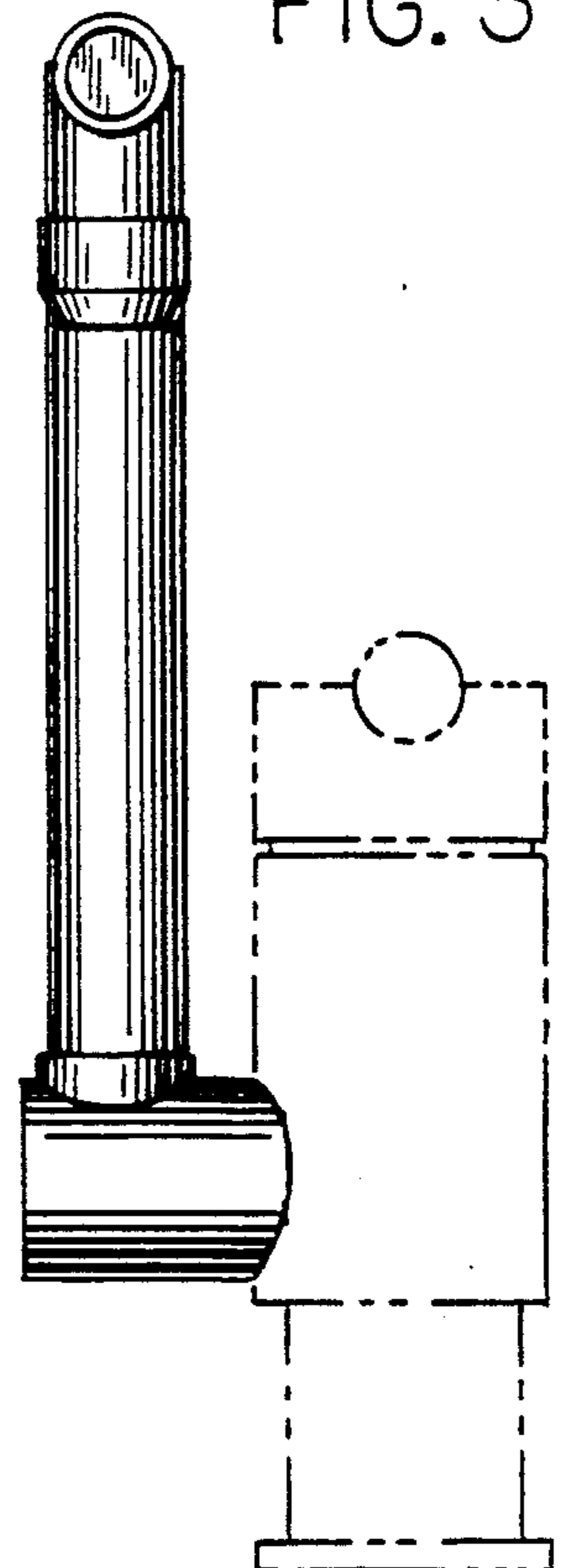


FIG. 3



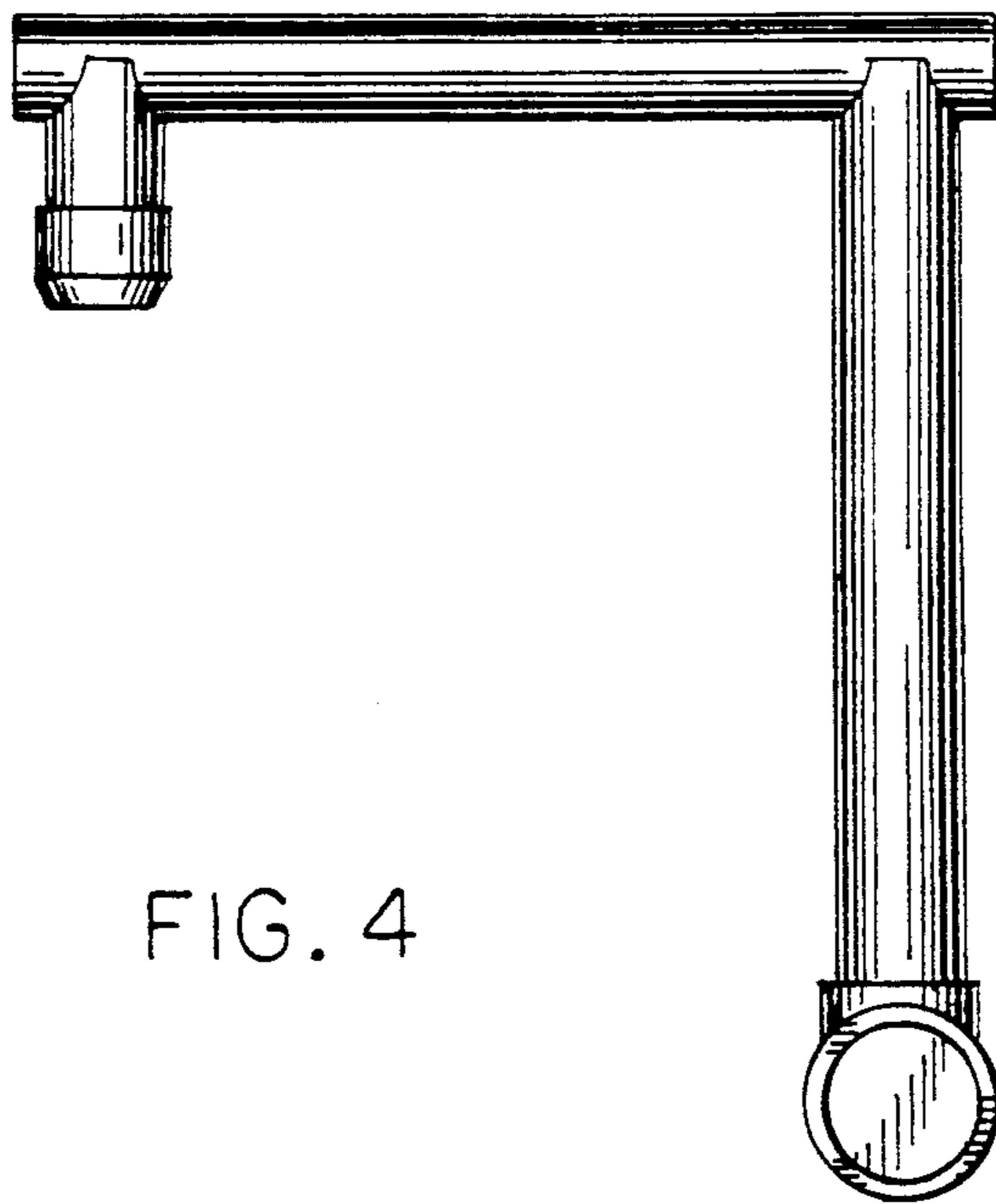


FIG. 4

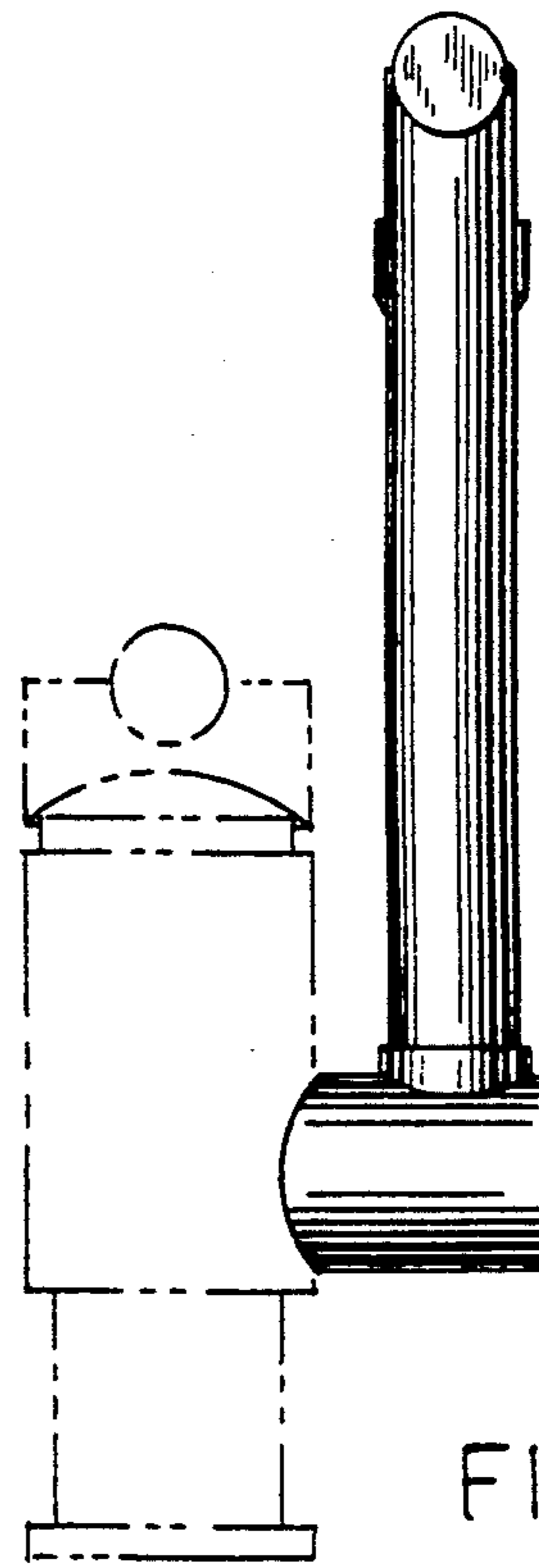


FIG. 5

FIG. 7.

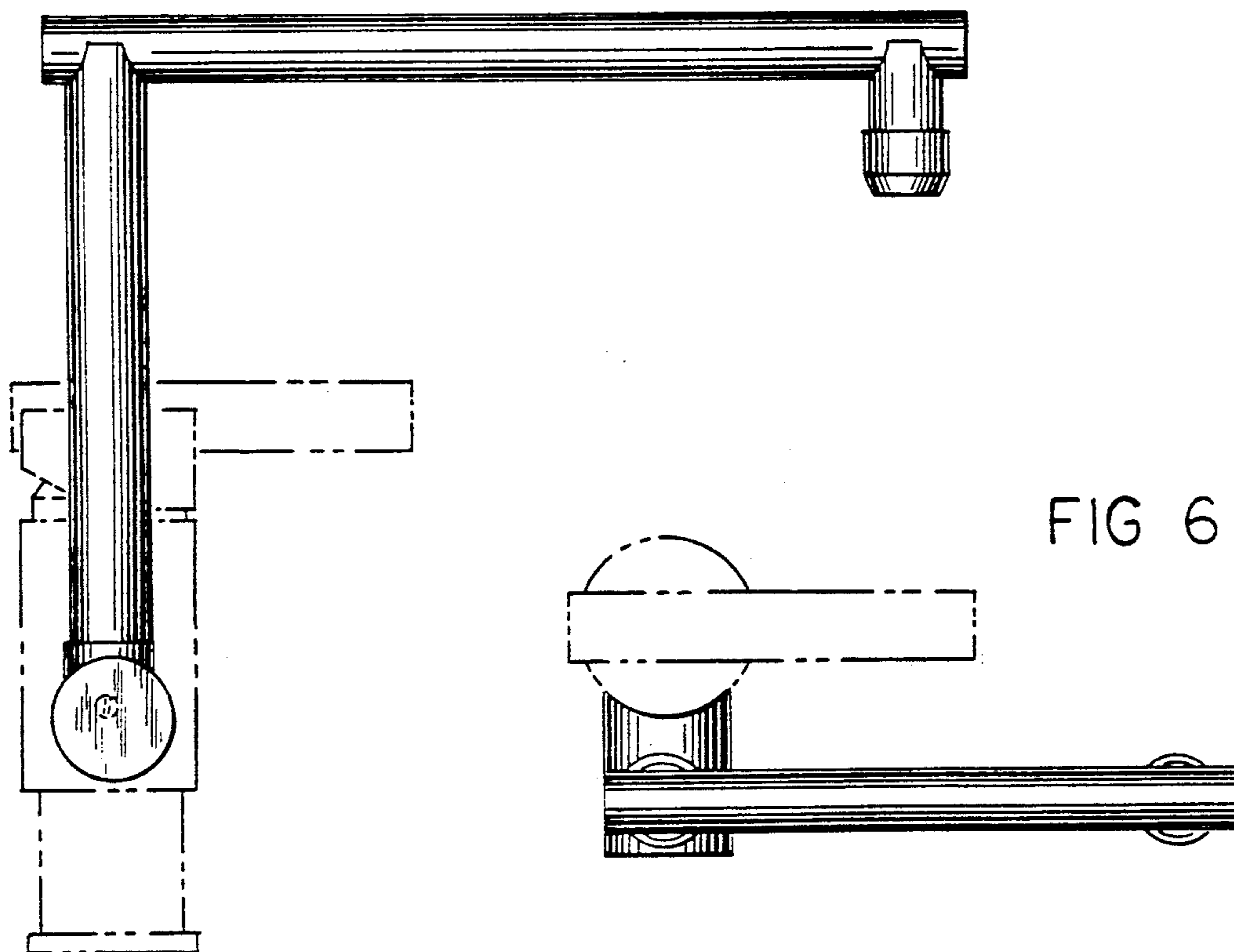


FIG 6