



US00D326505S

United States Patent [19]

[11] Patent Number: **Des. 326,505**

Kohler, Jr. et al.

[45] Date of Patent: **** May 26, 1992**

[54] SPOUT

[75] Inventors: **Herbert V. Kohler, Jr., Kohler; Alan D. Bengtson, Sheboygan, both of Wis.**

[73] Assignee: **Kohler Co., Kohler, Wis.**

[**] Term: **14 Years**

[21] Appl. No.: **297,916**

[22] Filed: **Jan. 17, 1989**

[52] U.S. Cl. **D23/255**

[58] Field of Search **D23/238-243, D23/255-257; 4/191, 192; 137/801**

[56] **References Cited**

PUBLICATIONS

Page 27 of a Harden catalog, undated, showing the D-59-OS-9 Spout (admitted prior art).

A page of drawings labelled FIG. 7 and FIG. 8 showing a prior art Spout sold by Applicants' assignee.

Pages 21-24 of a Kohler Co. Catalog, undated, showing the "Finesse", Taboret, and Flair product lines (admitted prior art).

Two pages of a 1985 Luwa products brochure entitled "Araw Faucets".

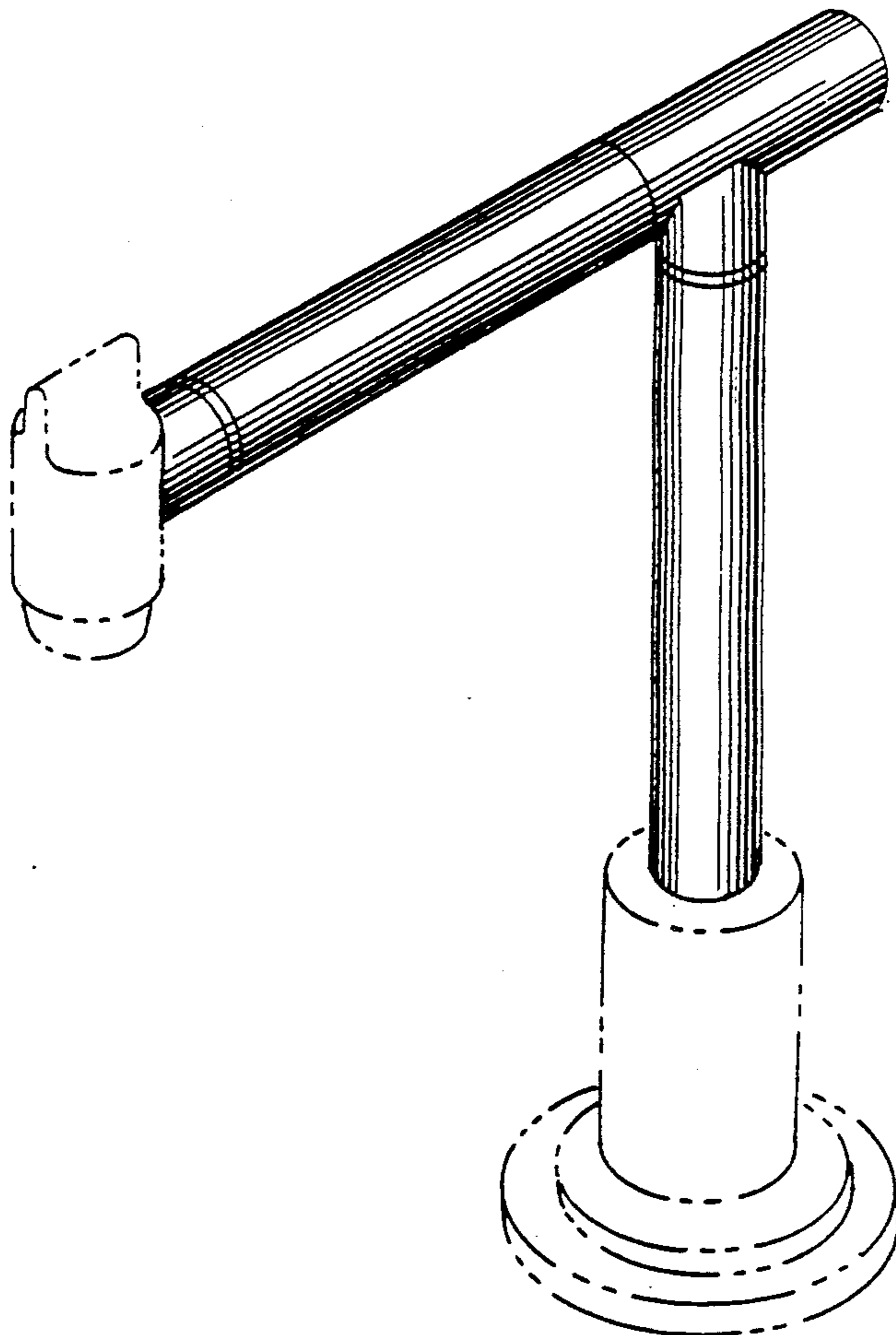
Primary Examiner—James R. Largen
Attorney, Agent, or Firm—Quarles & Brady

[57] **CLAIM**

The ornamental design for a spout, as shown and described.

DESCRIPTION

FIG. 1 is a perspective view taken from the top, front and right side of a spout showing our new design; FIG. 2 is a left side elevational view thereof, the right side being a mirror image of the left side; FIG. 3 is a front elevational view thereof; FIG. 4 is a rear elevational view thereof; FIG. 5 is a top plan view thereof; FIG. 6 is a bottom plan view thereof; and, FIG. 7 is a perspective view taken from the top, front and right side of a second embodiment thereof. The broken line representations of escutcheons in FIGS. 1-5 and 7 and the broken line representation of a discharge nozzle in FIGS. 1-7 are for purposes of illustration only and form no part of the claimed design.



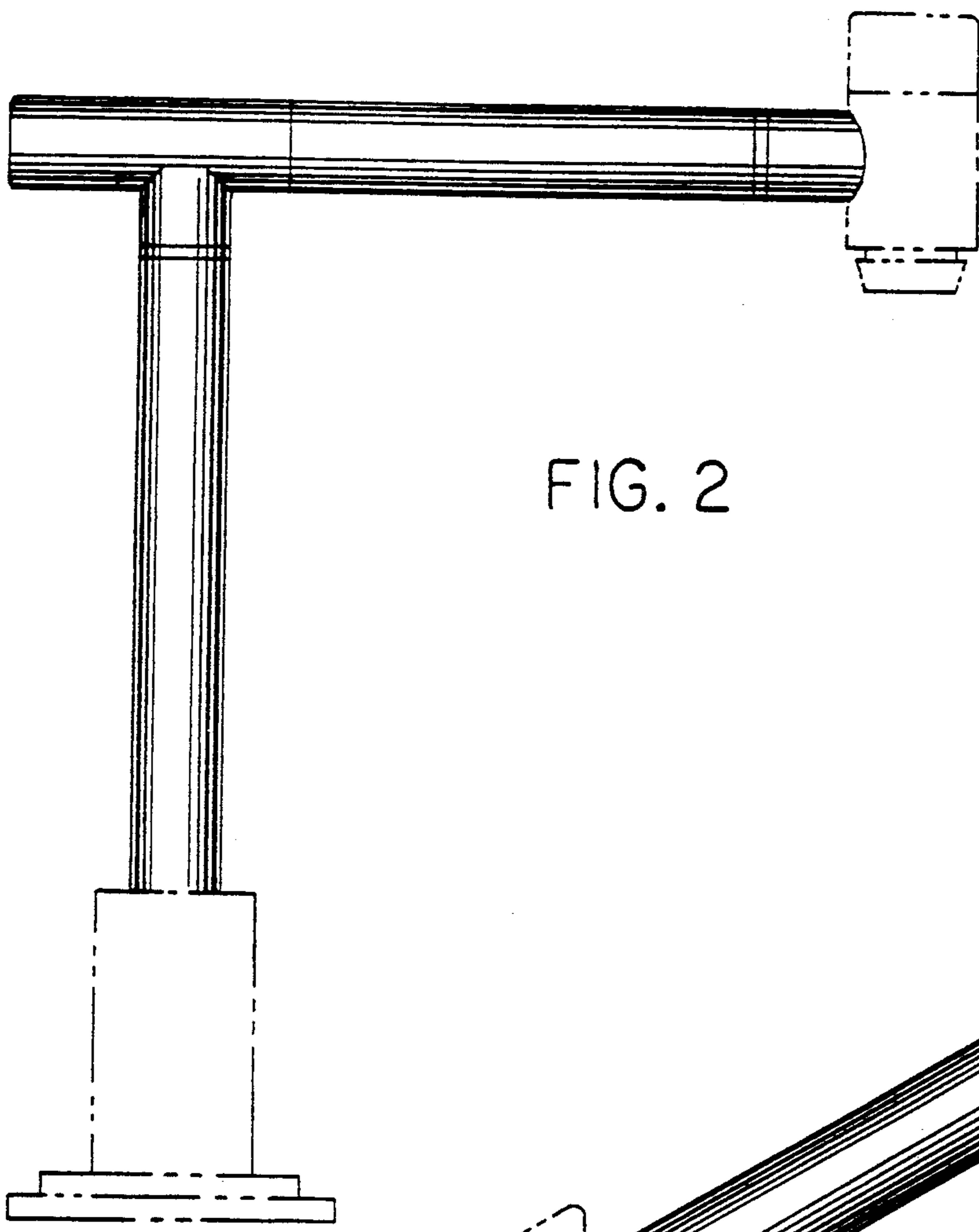


FIG. 2

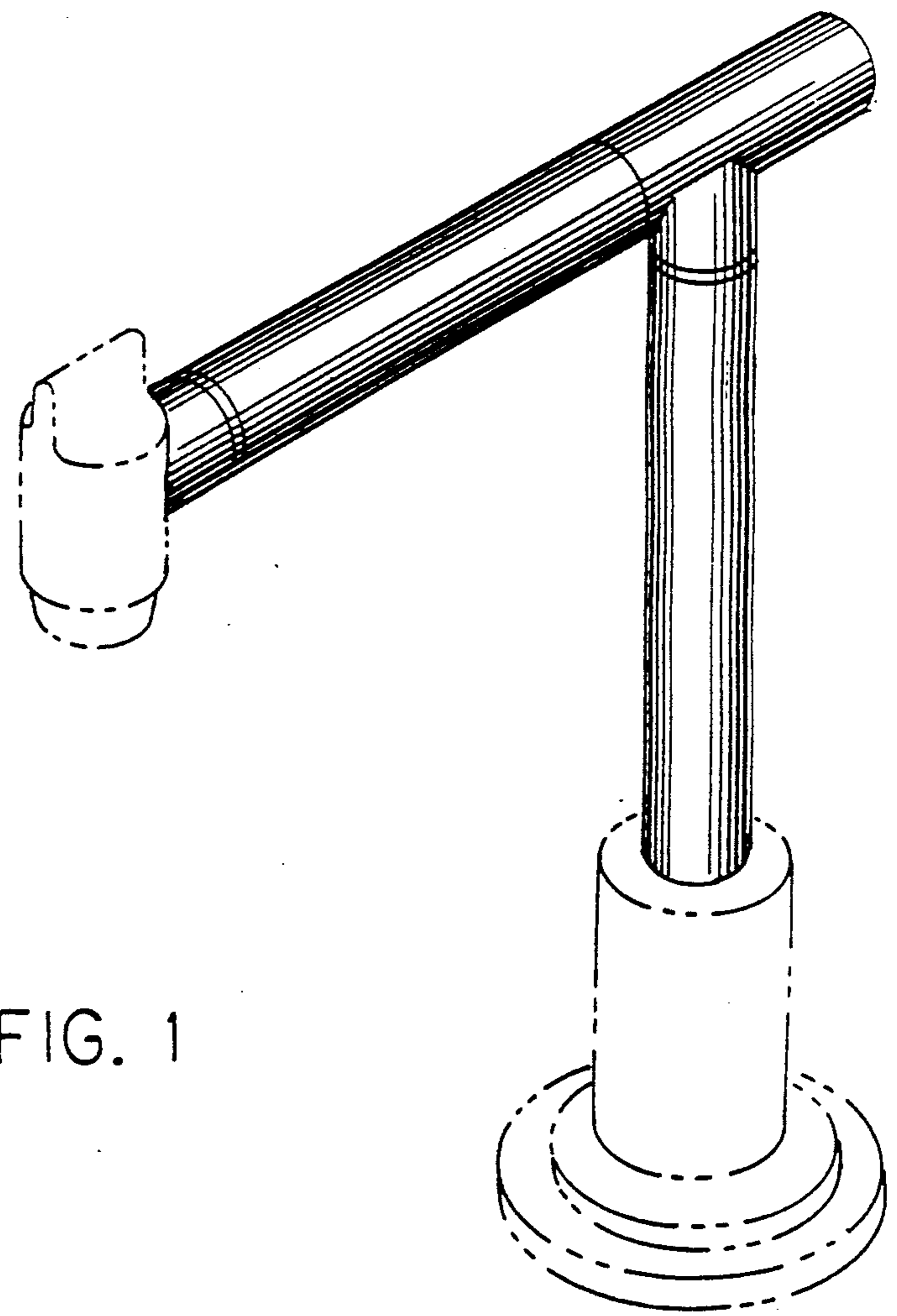


FIG. 1

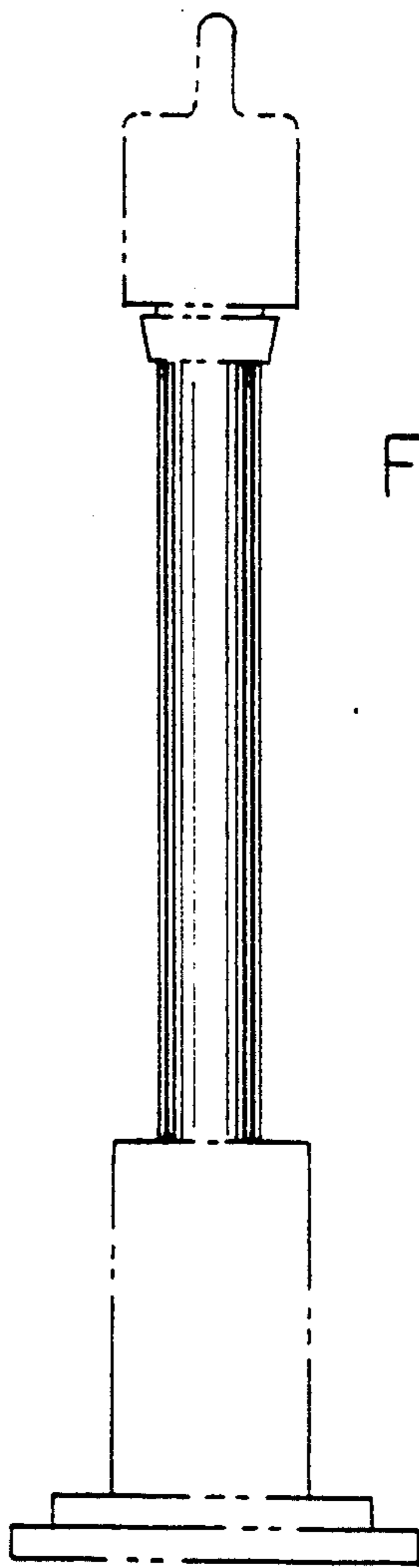


FIG. 3

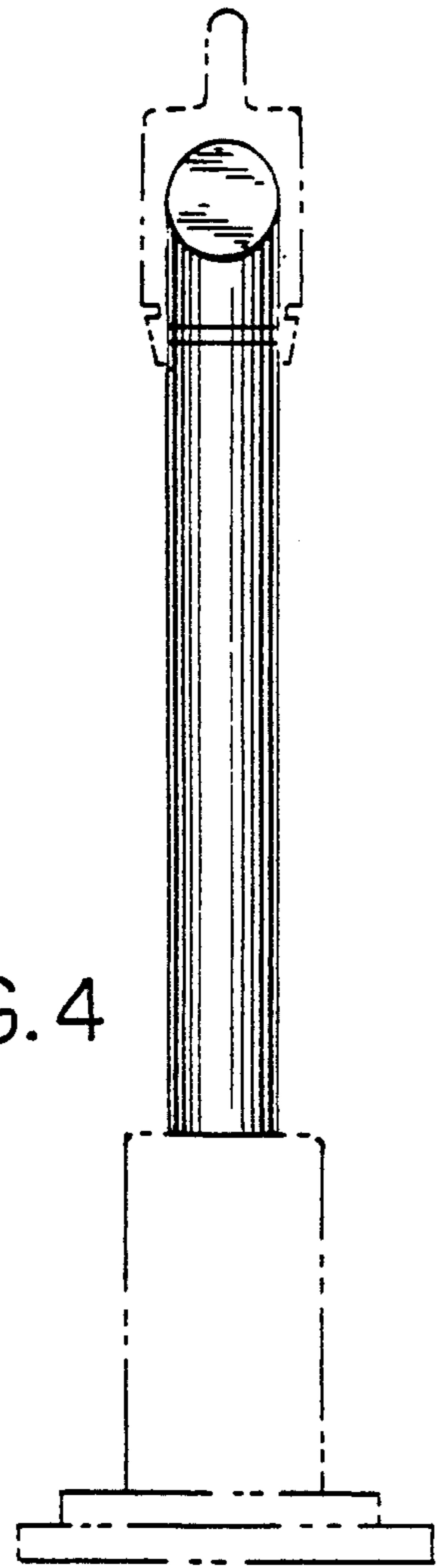


FIG. 4

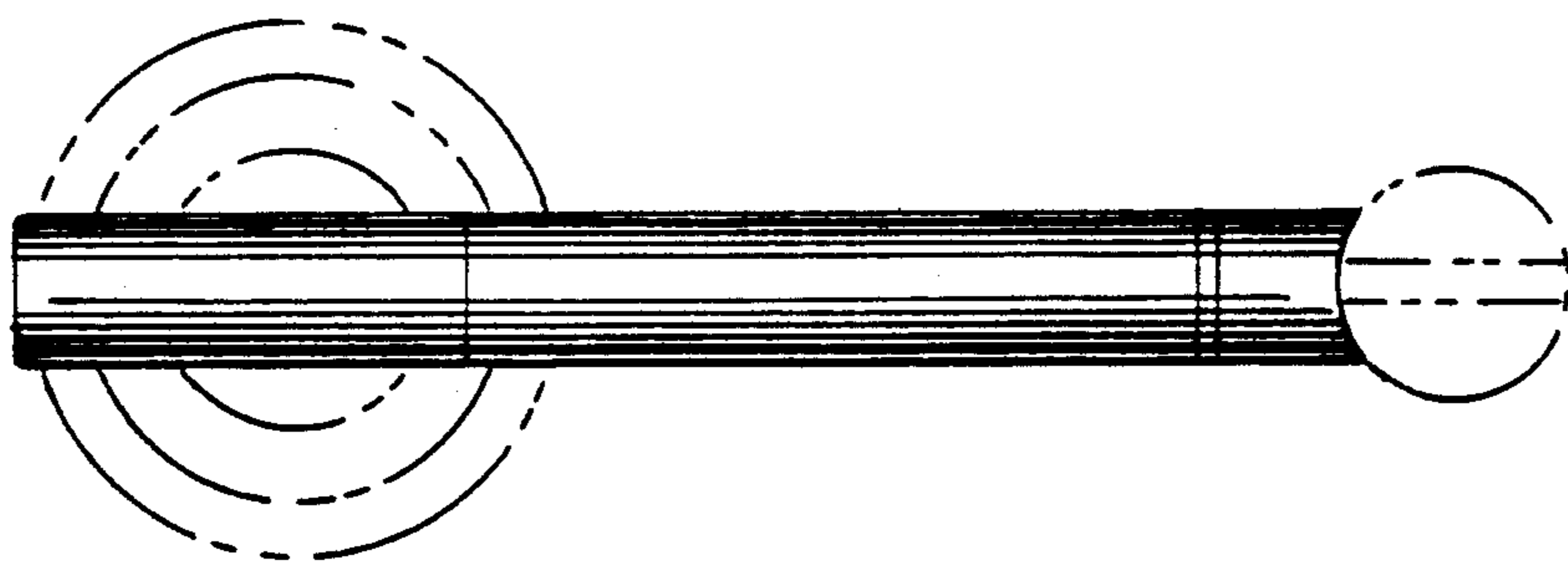


FIG. 5

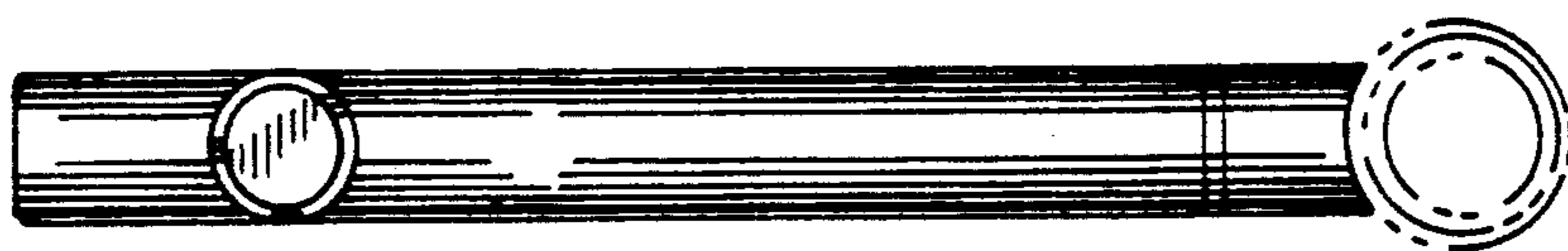


FIG. 6

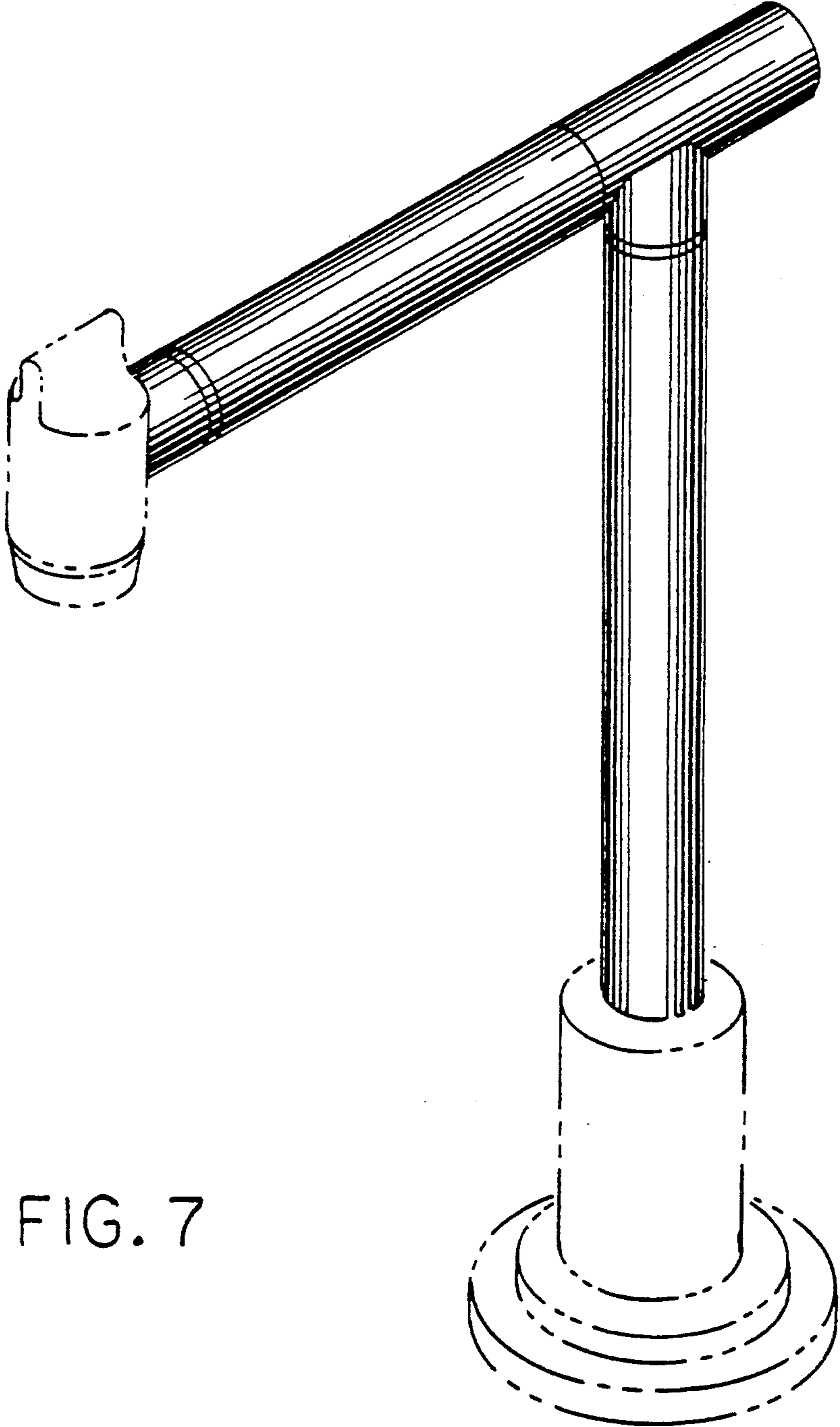


FIG. 7