



US00D326504S

# United States Patent [19]

[11] Patent Number: Des. 326,504

Robbins

[45] Date of Patent: \*\* May 26, 1992

[54] SPOUT

[75] Inventor: Tom E. Robbins, San Leandro, Calif.

[73] Assignee: Kallista, Inc., San Leandro, Calif.

[\*] Notice: The portion of the term of this patent subsequent to Oct. 22, 2005 has been disclaimed.

[\*\*] Term: 14 Years

[21] Appl. No.: 245,549

[22] Filed: Sep. 19, 1988

[52] U.S. Cl. .... D23/255

[58] Field of Search ..... D23/238-243,  
D23/255-257; 4/191, 192; 137/801

[56] References Cited

### U.S. PATENT DOCUMENTS

- D. 189,959 3/1961 Hyde ..... D23/255
- D. 217,605 5/1970 Young ..... D23/255 X
- D. 268,949 5/1983 Delepino ..... D23/255

- D. 288,117 2/1987 Paul ..... D23/255
- D. 289,916 5/1987 Delepine ..... D23/255
- D. 290,644 6/1987 Paul ..... D23/255
- D. 291,115 7/1987 Delepine ..... D23/255
- D. 299,951 2/1989 Perg ..... D23/255
- 4,334,328 6/1982 Delepine ..... D4/192
- 4,513,458 4/1985 Delepine ..... 4/192

Primary Examiner—James R. Largen  
Attorney, Agent, or Firm—Harris Zimmerman

### [57] CLAIM

The ornamental design for a spout, as shown and described.

### DESCRIPTION

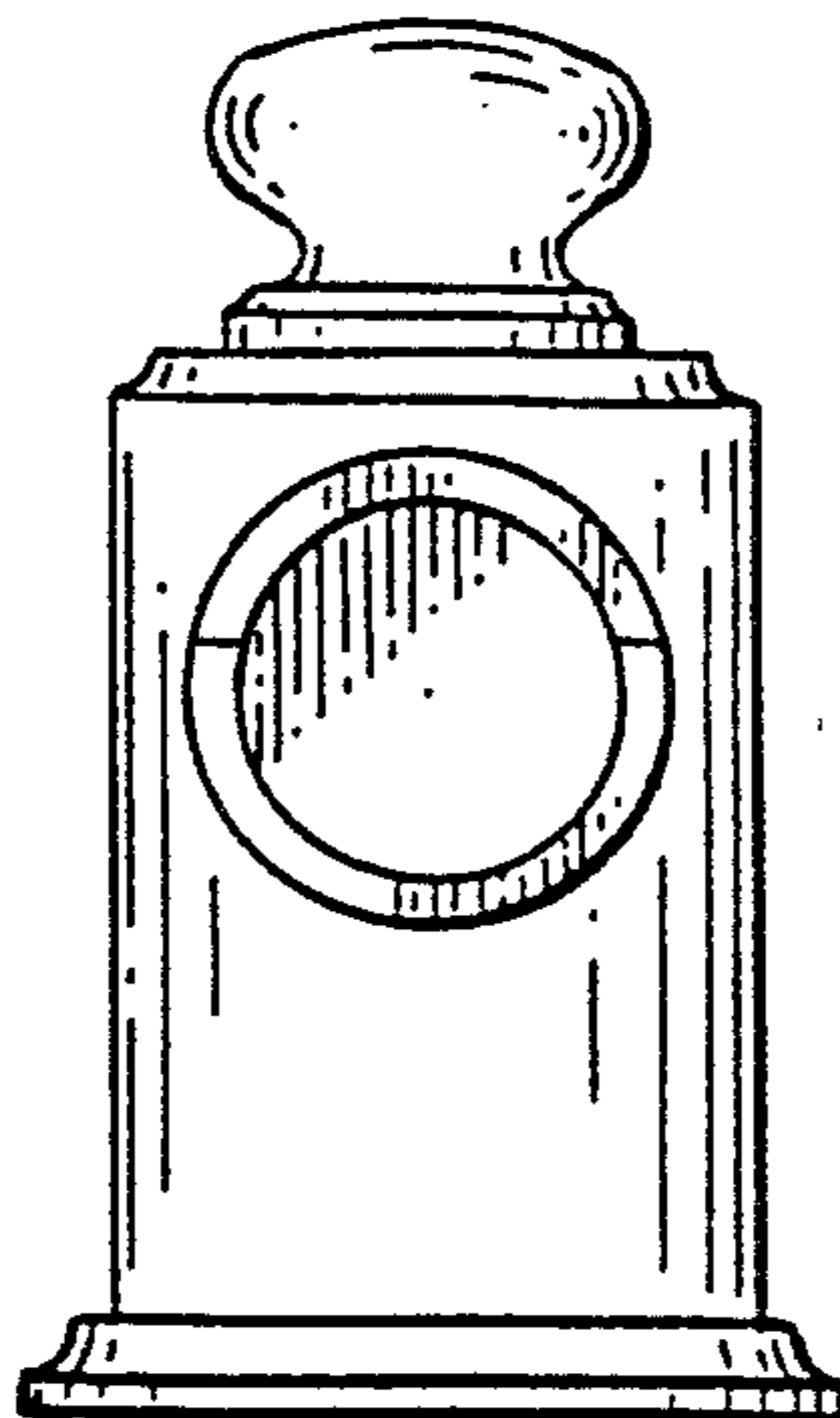
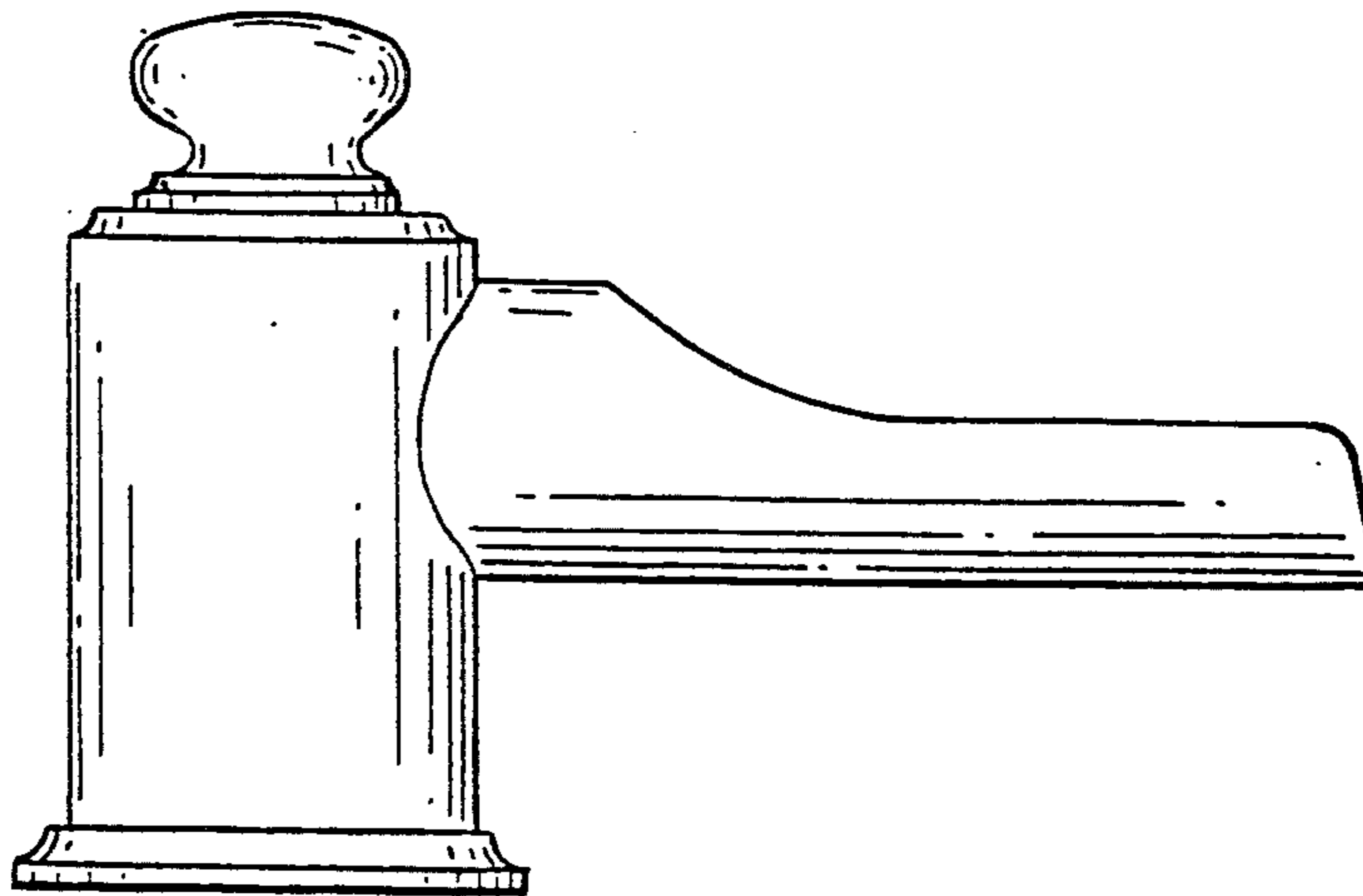
FIG. 1 is a left side elevational view of a spout showing my new design, the right side being a mirror image of the left side shown;

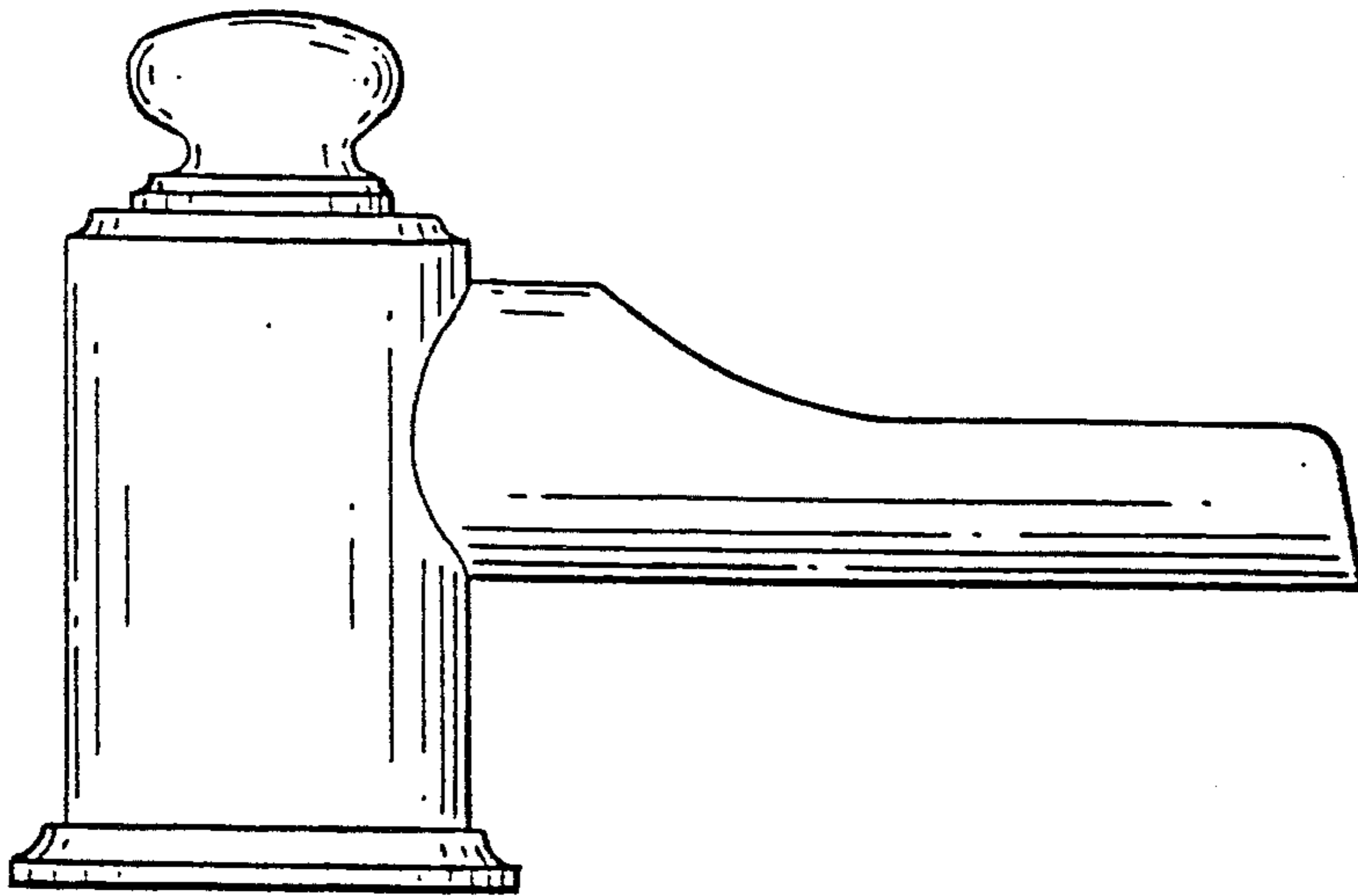
FIG. 2 is a front elevational view thereof;

FIG. 3 is a top plan view thereof;

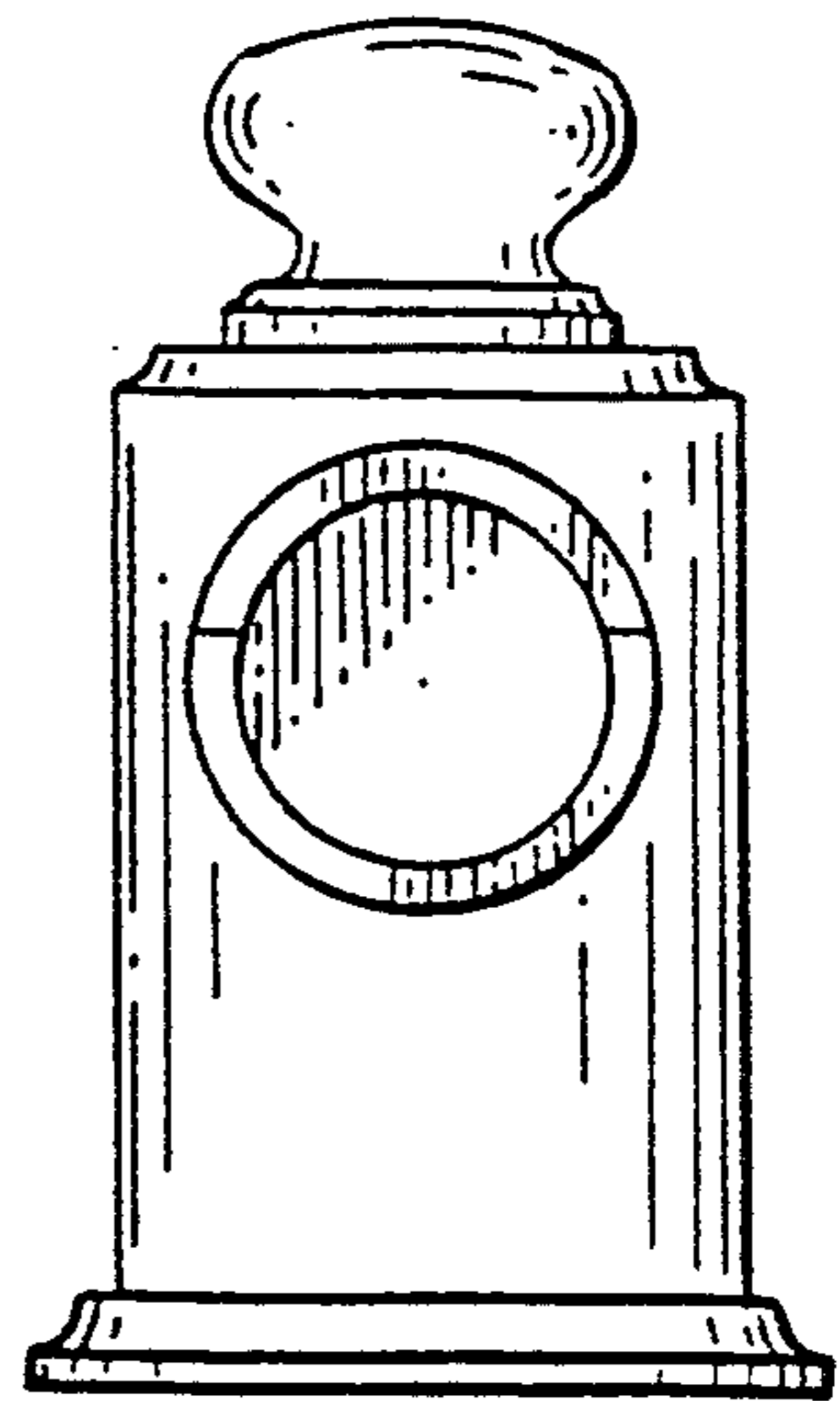
FIG. 4 is a rear elevational view thereof; and,

FIG. 5 is a bottom plan view thereof.

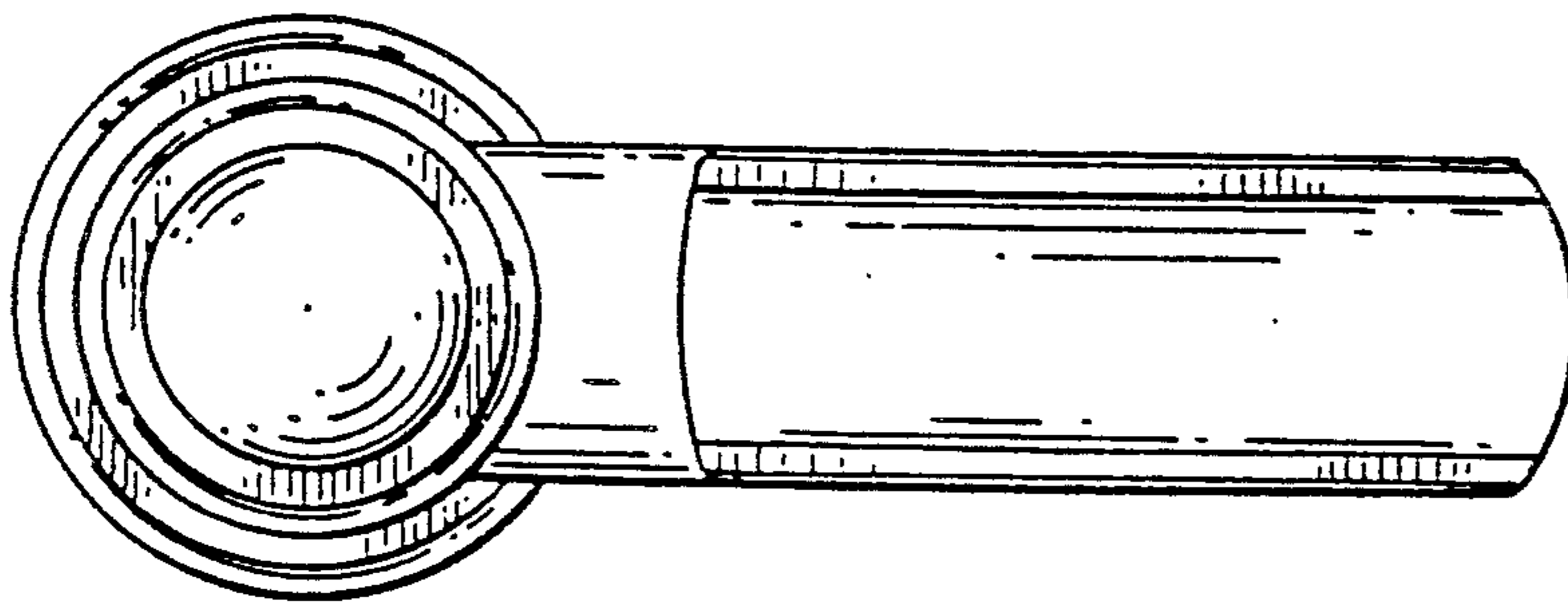




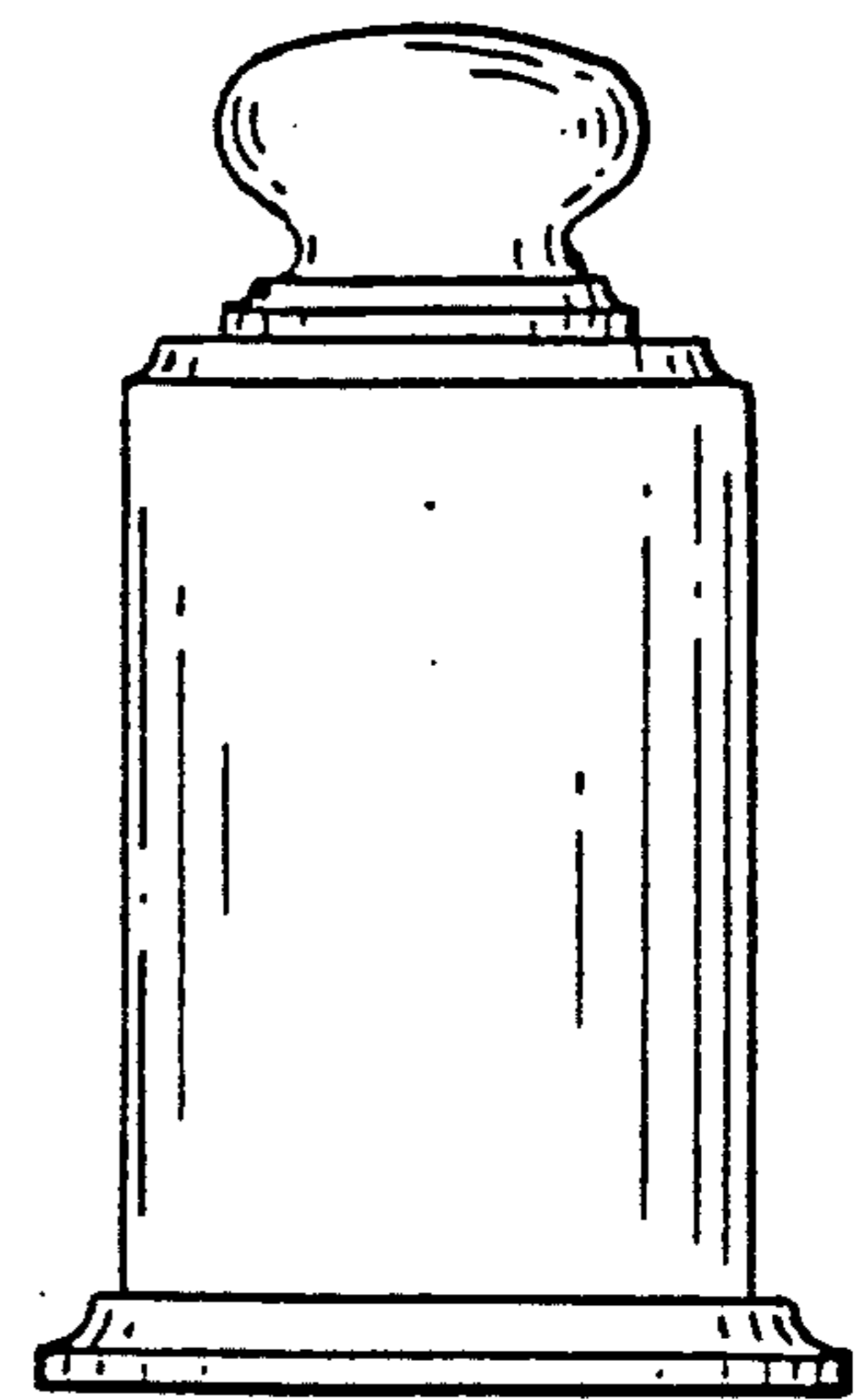
FIG\_1



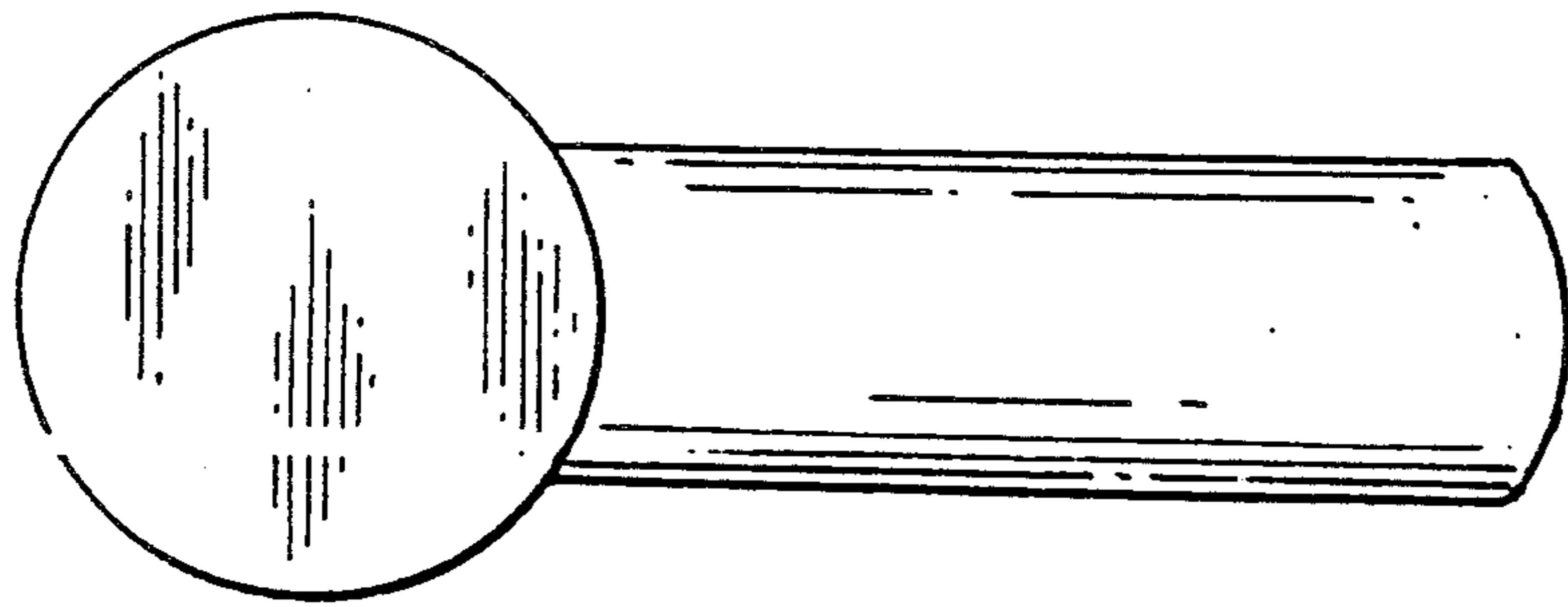
FIG\_2



FIG\_3



FIG\_4



FIG\_5