



US00D326502S

# United States Patent [19]

[11] Patent Number: **Des. 326,502**

Arnold, Jr.

[45] Date of Patent: **\*\* May 26, 1992**

[54] **SPRINKLER BASE**

D. 296,465 6/1988 Mendoza ..... D23/221 X

[76] Inventor: **John Arnold, Jr.**, 15625 Jarrell Rd.,  
Clermont, Fla. 34711

*Primary Examiner*—Susan J. Lucas  
*Assistant Examiner*—M. H. Tung  
*Attorney, Agent, or Firm*—William M. Hobby, III

[\*\*] Term: **14 Years**

[21] Appl. No.: **582,420**

[57] **CLAIM**

[22] Filed: **Sep. 14, 1990**

The ornamental design for a sprinkler base design, as shown and described.

[52] U.S. Cl. .... **D23/221**

[58] Field of Search ..... **D23/213-218,**  
**D23/221; 239/200-202, 211, 273, 275-276,**  
**390-392, 456, 468, 505, DIG. 1**

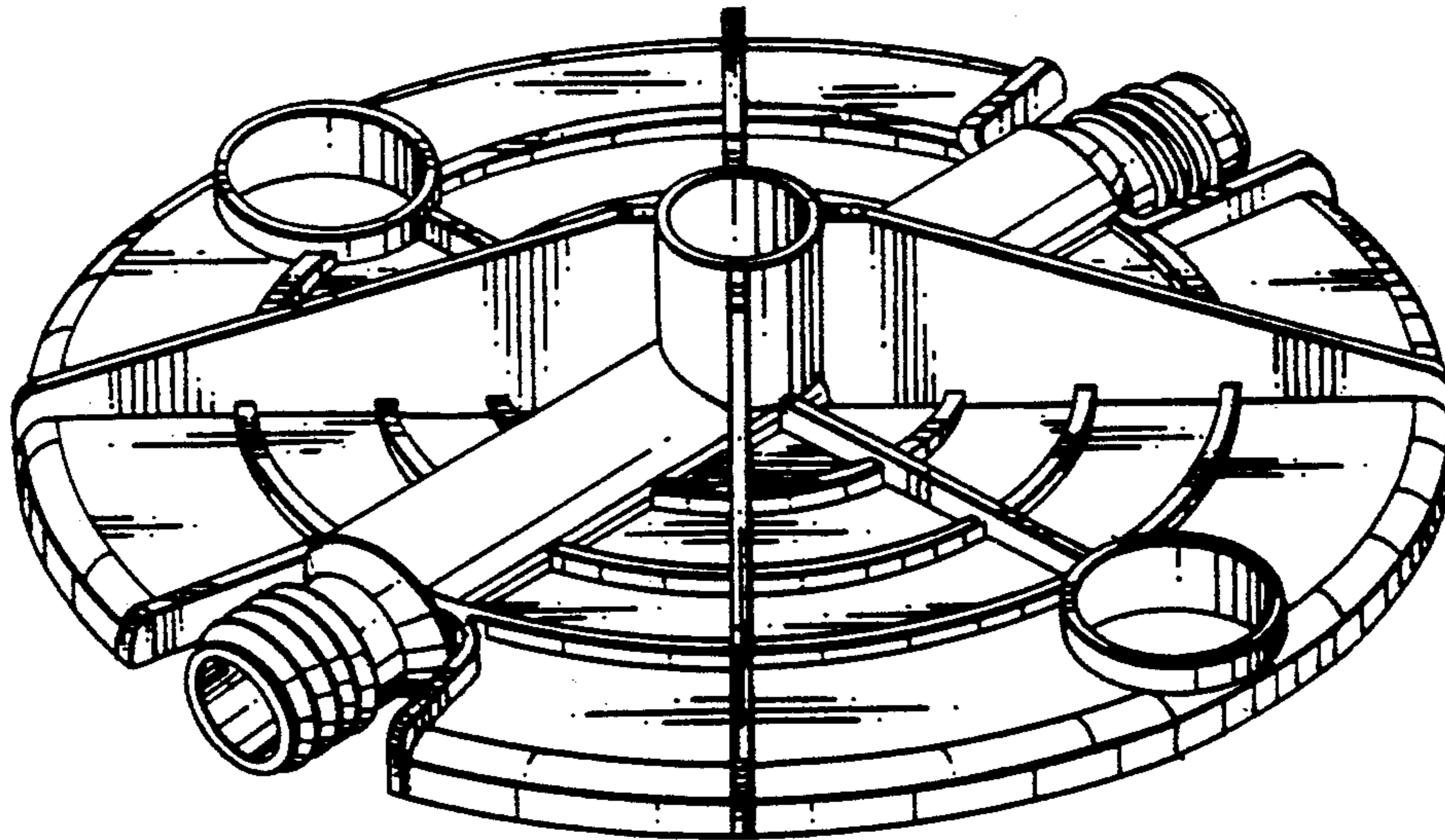
**DESCRIPTION**

[56] **References Cited**

**U.S. PATENT DOCUMENTS**

- D. 142,401 9/1945 Goggins ..... D23/221
- D. 192,133 1/1962 Turner ..... D23/216
- D. 289,542 4/1987 Byrne ..... D23/221
- D. 295,213 4/1988 Hattori ..... D23/221

FIG. 1 is a top perspective view of a sprinkler base showing my new design;  
 FIG. 2 is a bottom perspective view thereof;  
 FIG. 3 is a side elevational view thereof, the opposite side being identical;  
 FIG. 4 is a top plan view thereof;  
 FIG. 5 is a bottom plan view thereof; and,  
 FIG. 6 is a front elevational view thereof, the rear view being identical.



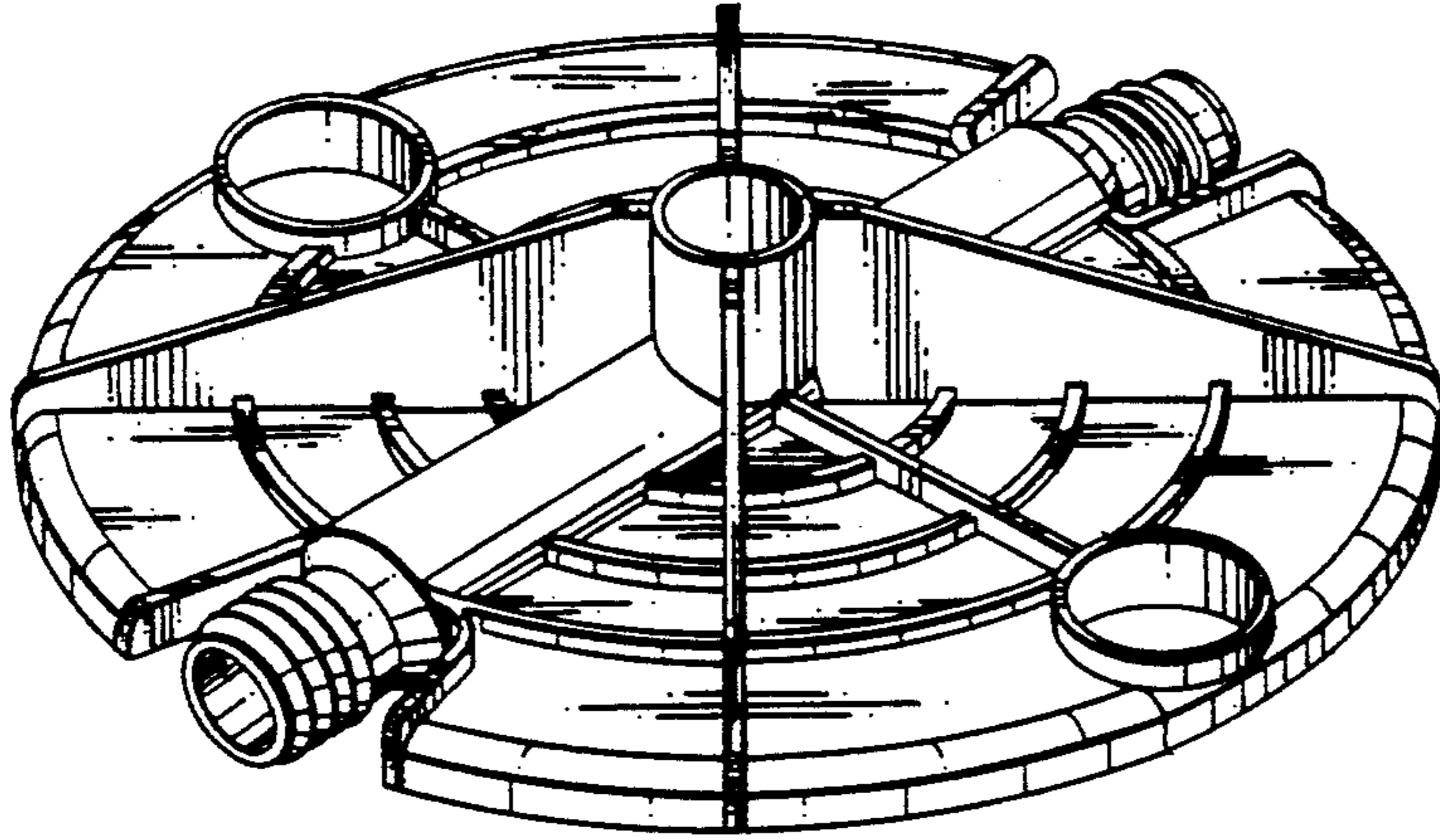


FIG. 1

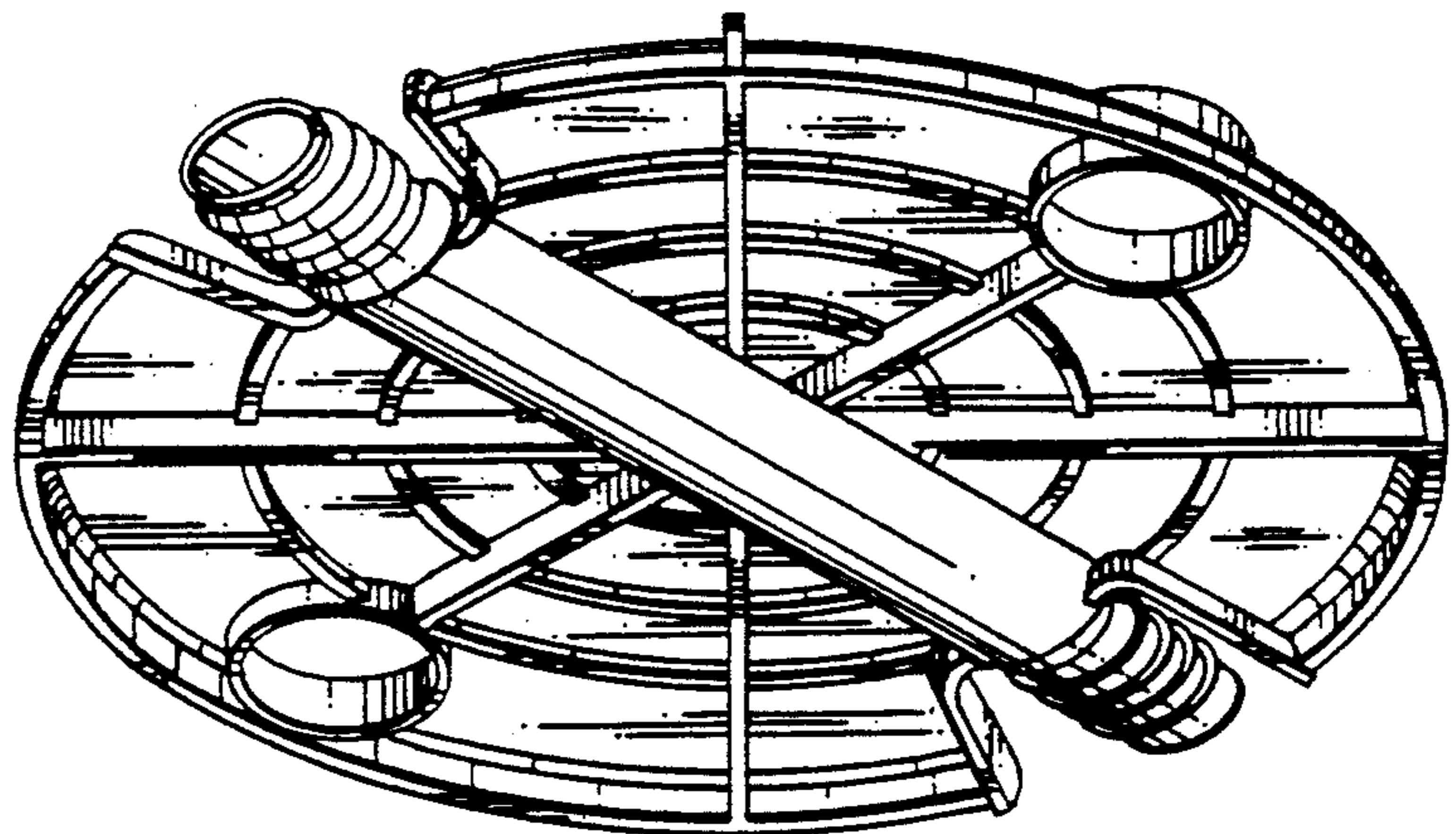


FIG. 2

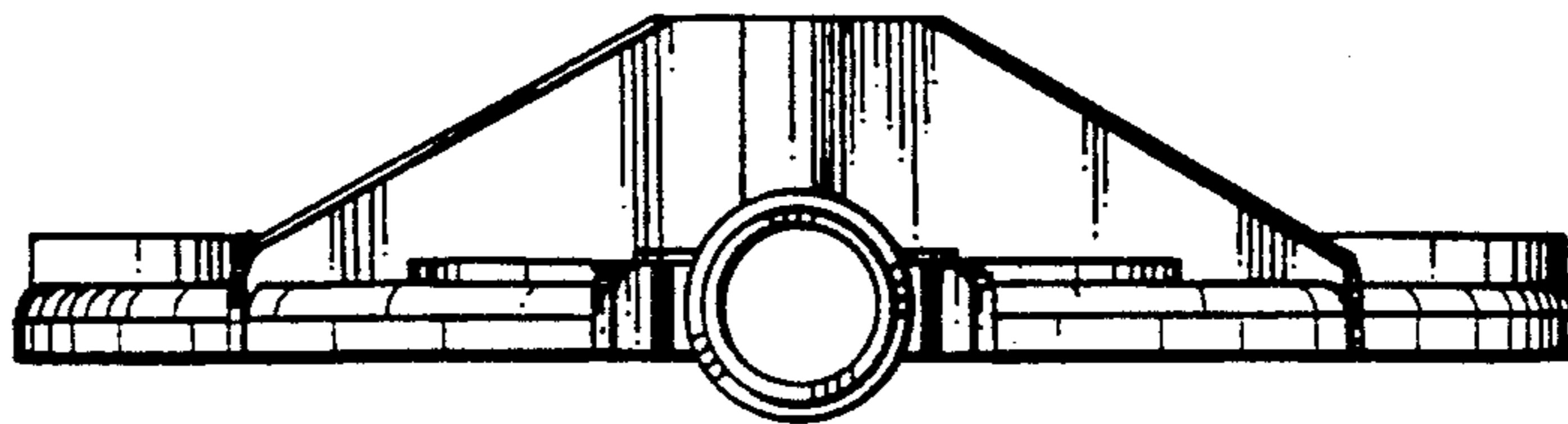


FIG. 3

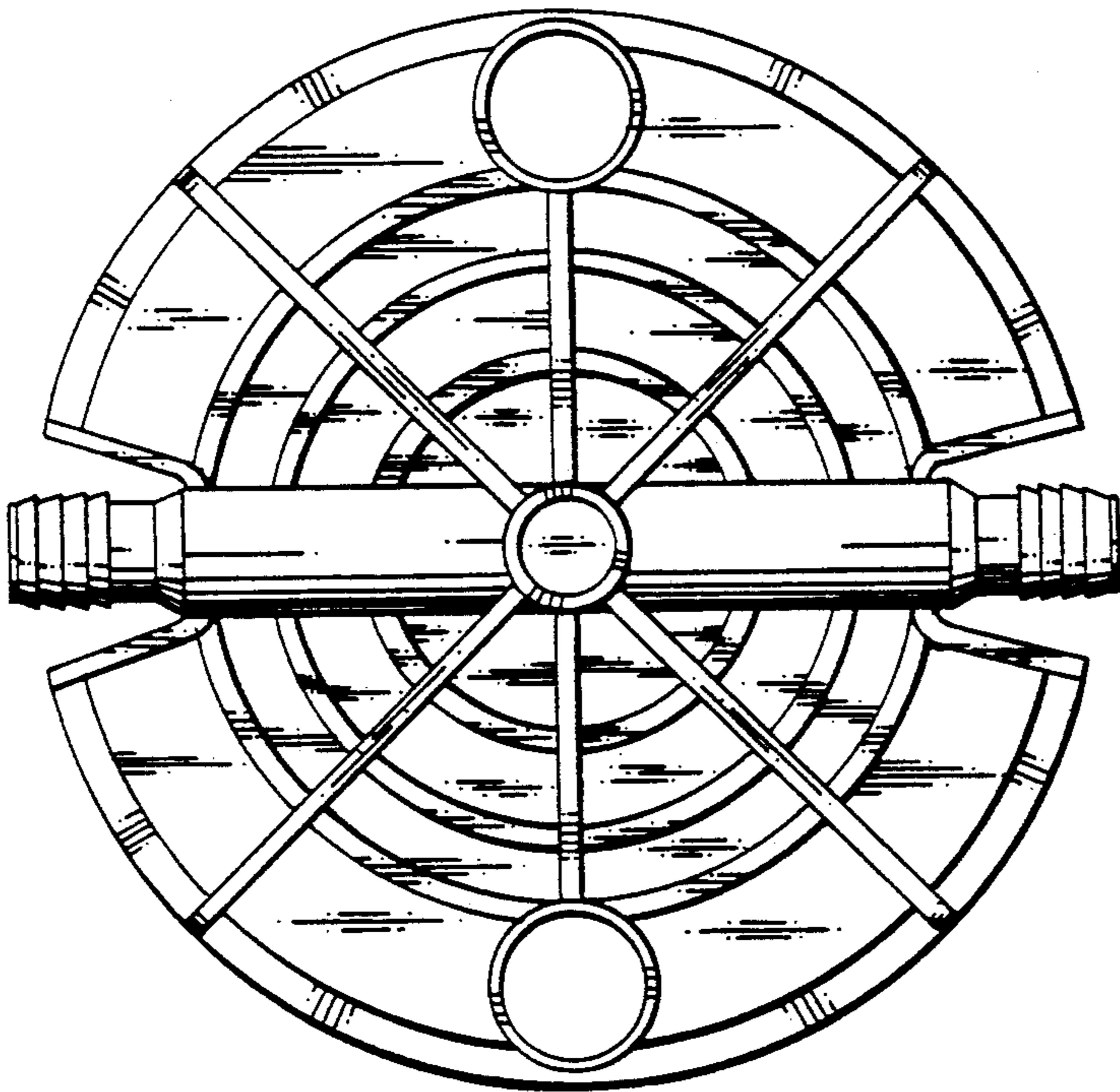


FIG. 4

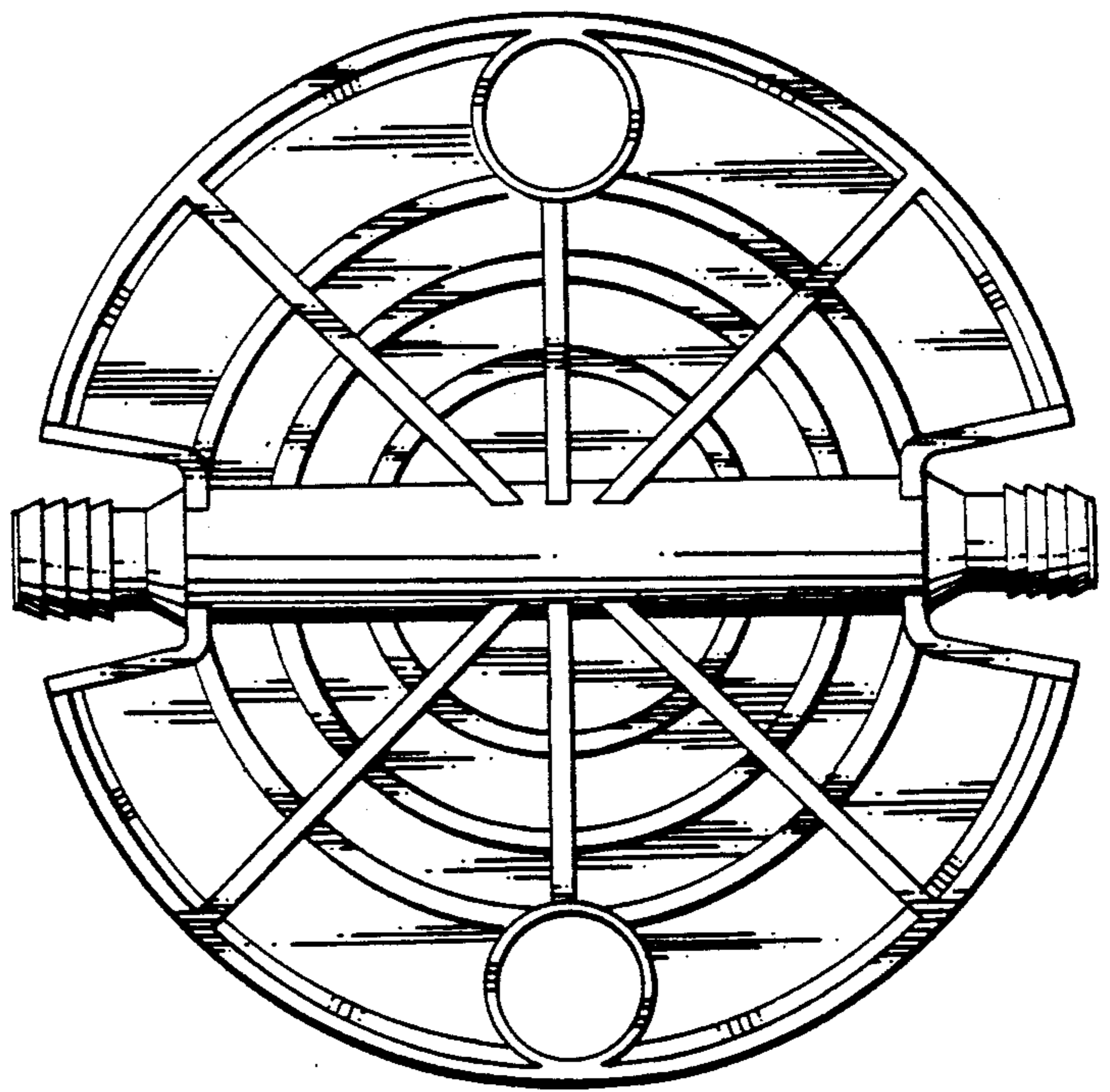


FIG. 5

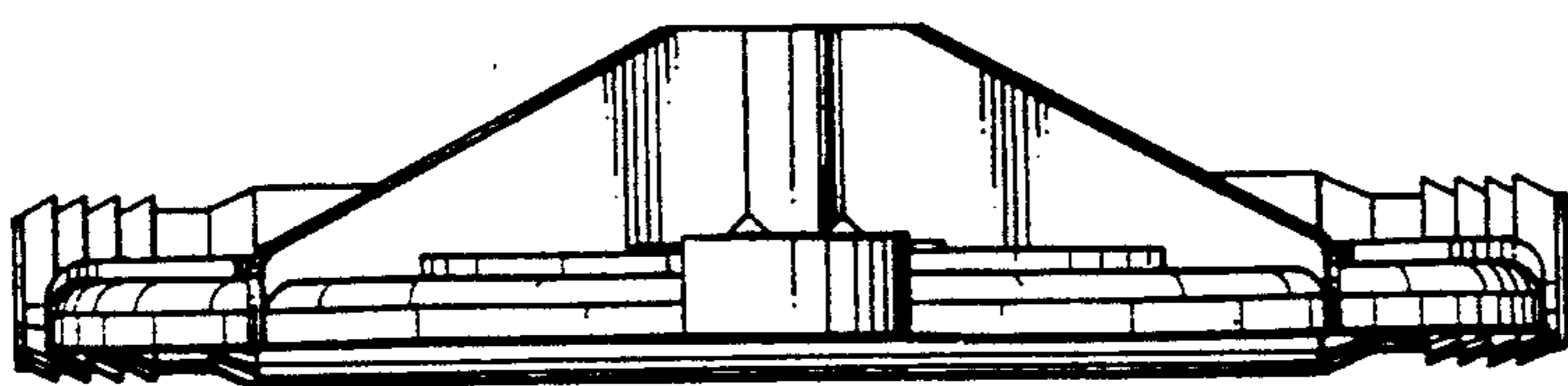


FIG. 6