



US00D326499S

# United States Patent [19]

Nouma

[11] Patent Number: Des. 326,499

[45] Date of Patent: \*\* May 26, 1992

[54] FISHING REEL

[75] Inventor: Masaharu Nouma, Hiroshima, Japan

[73] Assignee: Ryobi Ltd., Hiroshima, Japan

[\*\*] Term: 14 Years

[21] Appl. No.: 479,027

[22] Filed: Feb. 12, 1990

[30] Foreign Application Priority Data

Aug. 22, 1989 [JP] Japan ..... 1-30604

[52] U.S. Cl. .... D22/141

[58] Field of Search ..... D22/141; 242/224, 230-233, 242/245-246

[56] References Cited

U.S. PATENT DOCUMENTS

- D. 270,933 10/1983 Iinuma et al. .... D22/141
- D. 290,733 7/1987 Iinuma ..... D22/141
- 294,620 3/1988 Iinuma et al. .... D22/141
- 294,728 3/1988 Kameda ..... D22/141

D. 308,717 6/1990 Hiraishi et al. .... D22/141

FOREIGN PATENT DOCUMENTS

308590 7/1979 Japan .

56-6176 8/1981 Japan .

Primary Examiner—A. Hugo Word

Assistant Examiner—Doris V. Coles

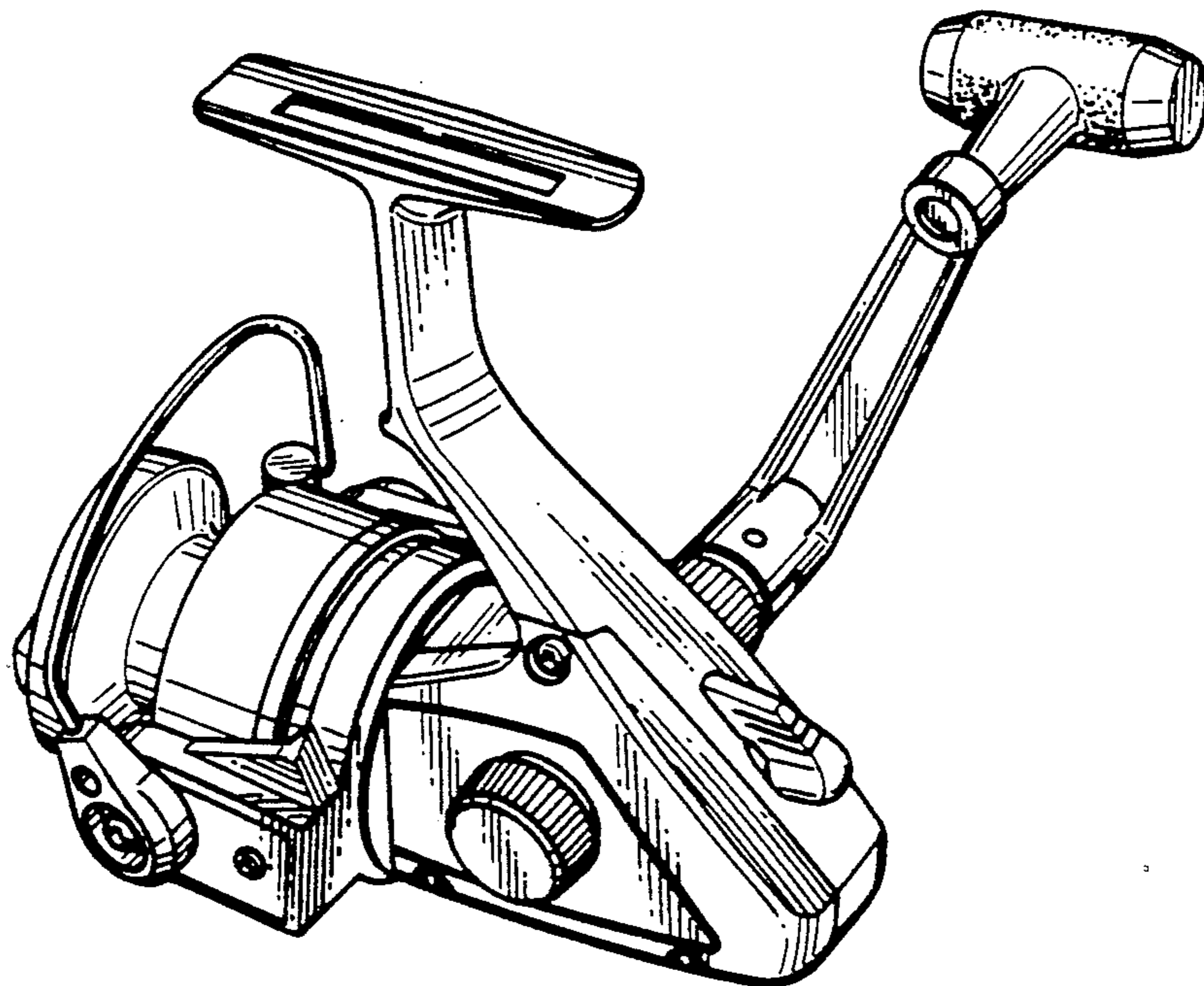
Attorney, Agent, or Firm—Sughrue, Mion, Zinn, Macpeak & Seas

[57] CLAIM

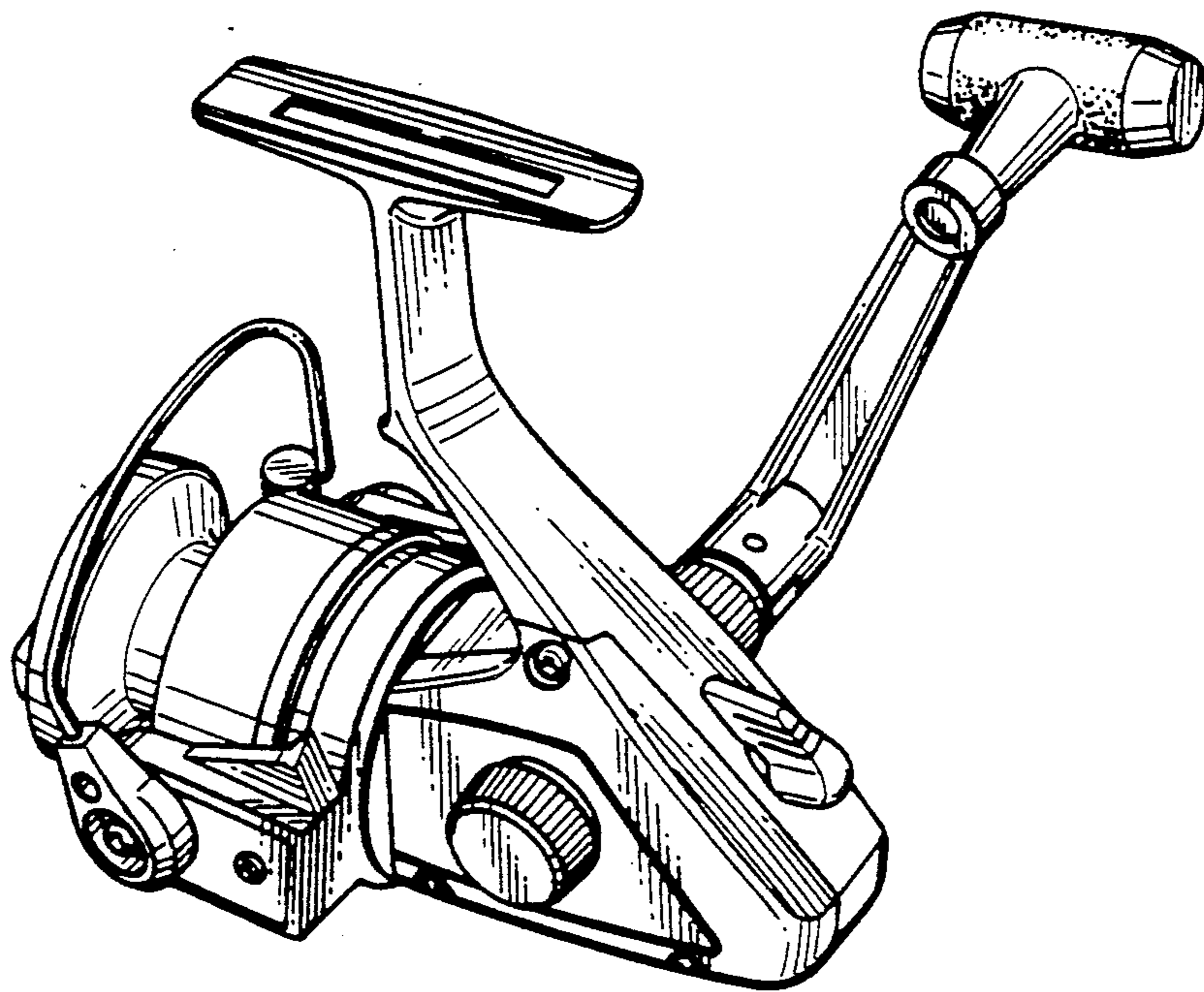
The ornamental design for a fishing reel, as shown.

DESCRIPTION

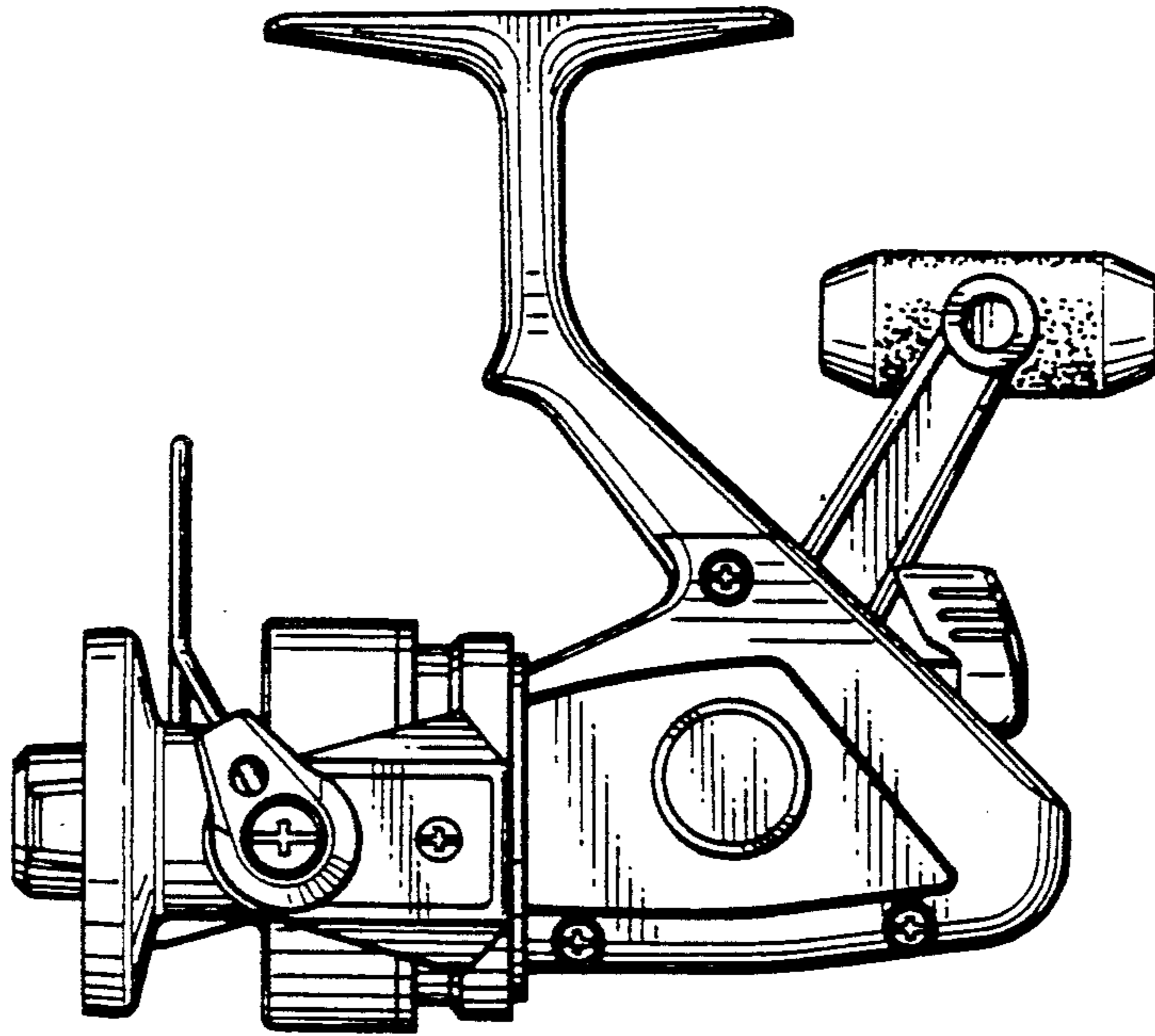
FIG. 1 is a rear, top and right side perspective view of a fishing reel showing my new design; FIG. 2 is a right side elevational view thereof; FIG. 3 is a left side elevational view thereof; FIG. 4 is a front elevational view thereof; FIG. 5 is a rear elevational view thereof; FIG. 6 is a top plan view thereof; and, FIG. 7 is a bottom plan view thereof.



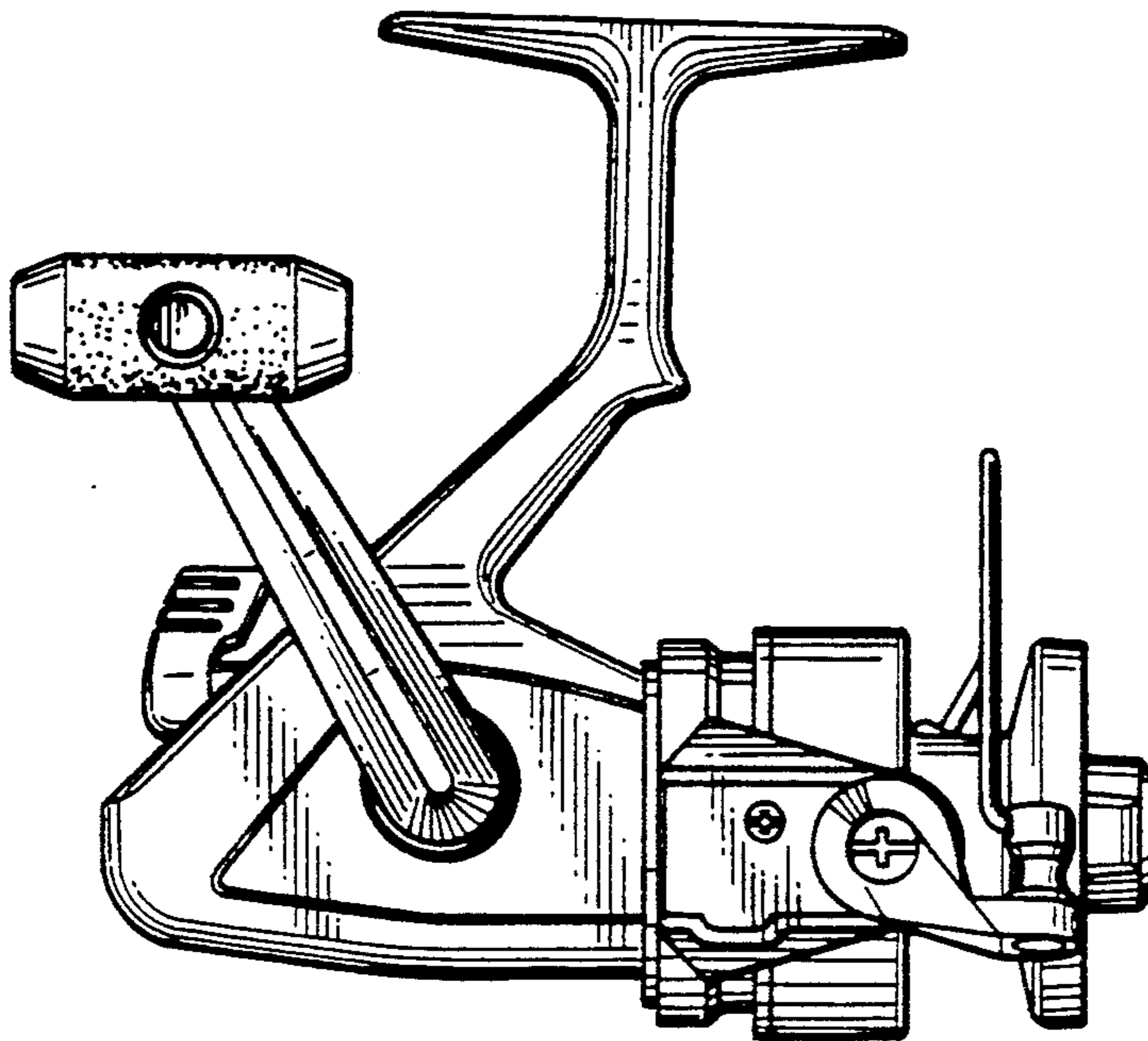
*Fig. 1*



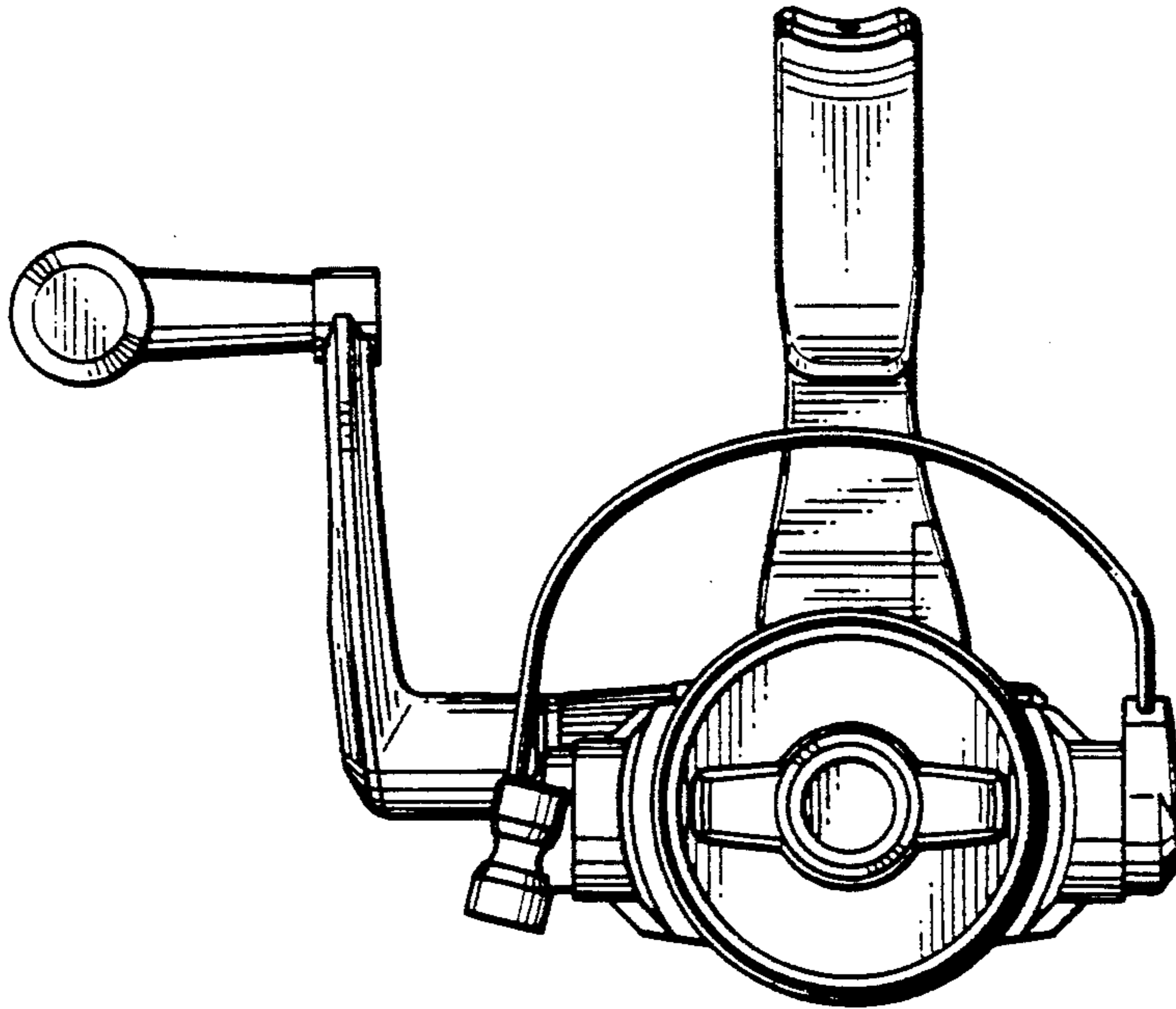
*Fig. 2*



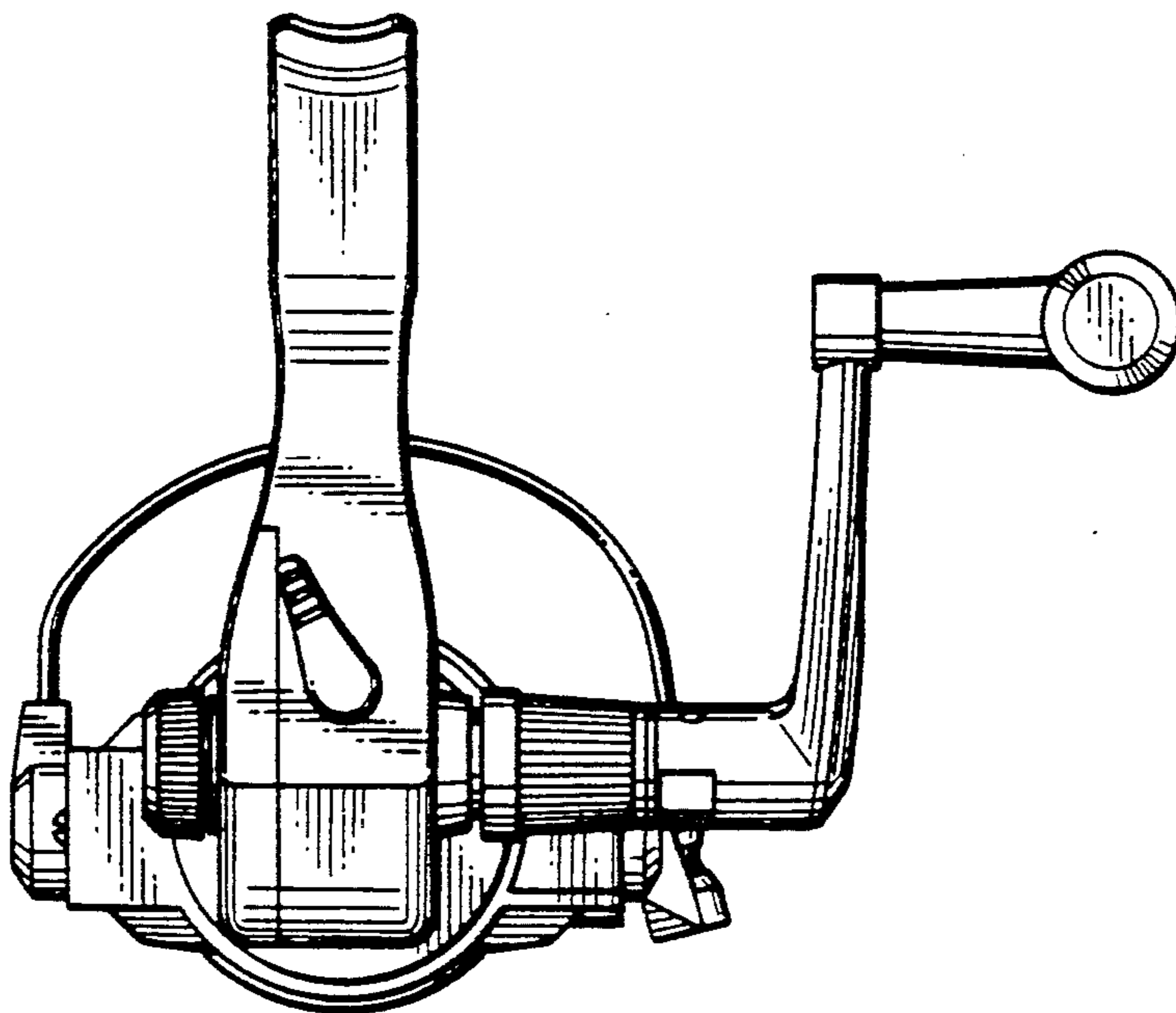
*Fig. 3*



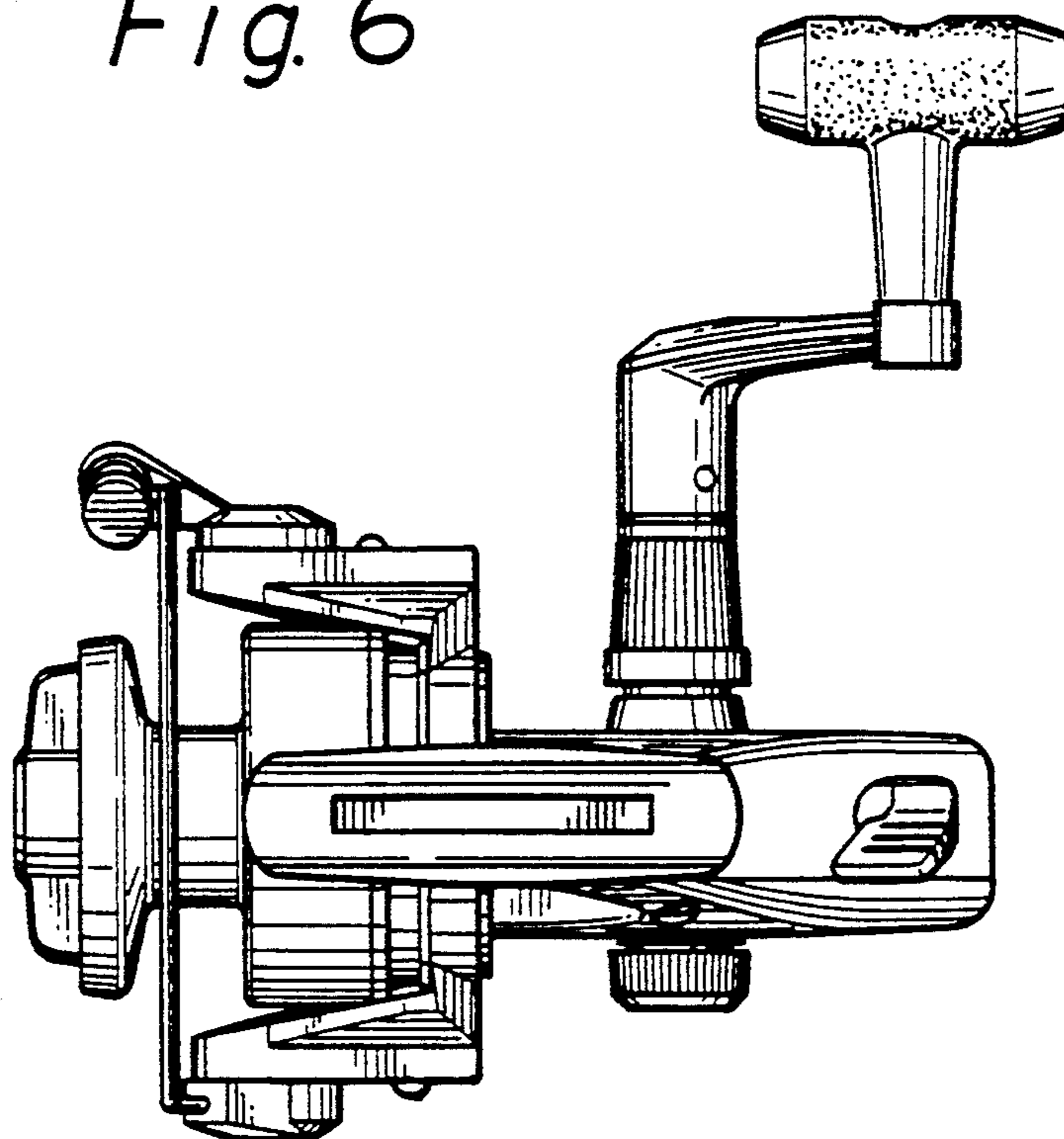
*Fig. 4*



*Fig. 5*



*Fig. 6*



*Fig. 7*

