



US00D326498S

**United States Patent** [19]  
**Kuntze**

[11] **Patent Number: Des. 326,498**

[45] **Date of Patent: \*\* May 26, 1992**

[54] **FISHING REEL**

D. 321,238 10/1991 Robbins et al. .... D22/141

[75] **Inventor: Rupert Kuntze, Haundorf, Fed. Rep. of Germany**

*Primary Examiner—A. Hugo Word*  
*Assistant Examiner—Doris V. Coles*  
*Attorney, Agent, or Firm—Bacon & Thomas*

[73] **Assignee: D.A.M. Deutsche Angelgeraete Manufaktur Hellmuth Kuntze GmbH & Co. KG, Gunzenhausen, Fed. Rep. of Germany**

[57] **CLAIM**

The ornamental design for a fishing reel, as shown.

[\*\*] **Term: 14 Years**

**DESCRIPTION**

[21] **Appl. No.: 467,231**

FIG. 1 is a right side perspective view of a fishing reel, showing my new design;

[22] **Filed: Jan. 19, 1990**

FIG. 2 is a right side elevational view thereof;

[30] **Foreign Application Priority Data**

Jul. 21, 1989 [DE] Fed. Rep. of Germany ..... 8905174

Dec. 15, 1989 [DE] Fed. Rep. of Germany ..... 8908643

[52] **U.S. Cl. .... D22/141**

FIG. 3 is a left side elevational view thereof;

FIG. 4 is a bottom plan view thereof;

FIG. 5 is a top plan view thereof;

FIG. 6 is a front elevational view thereof;

FIG. 7 is a rear elevational view thereof;

[58] **Field of Search ..... D22/141; 242/224, 230-233, 242/245, 246**

FIG. 8 is a right side perspective view of a second embodiment;

FIG. 9 is a right side elevational view thereof;

FIG. 10 is a left side elevational view thereof;

FIG. 11 is a bottom plan view thereof;

FIG. 12 is a top plan view thereof;

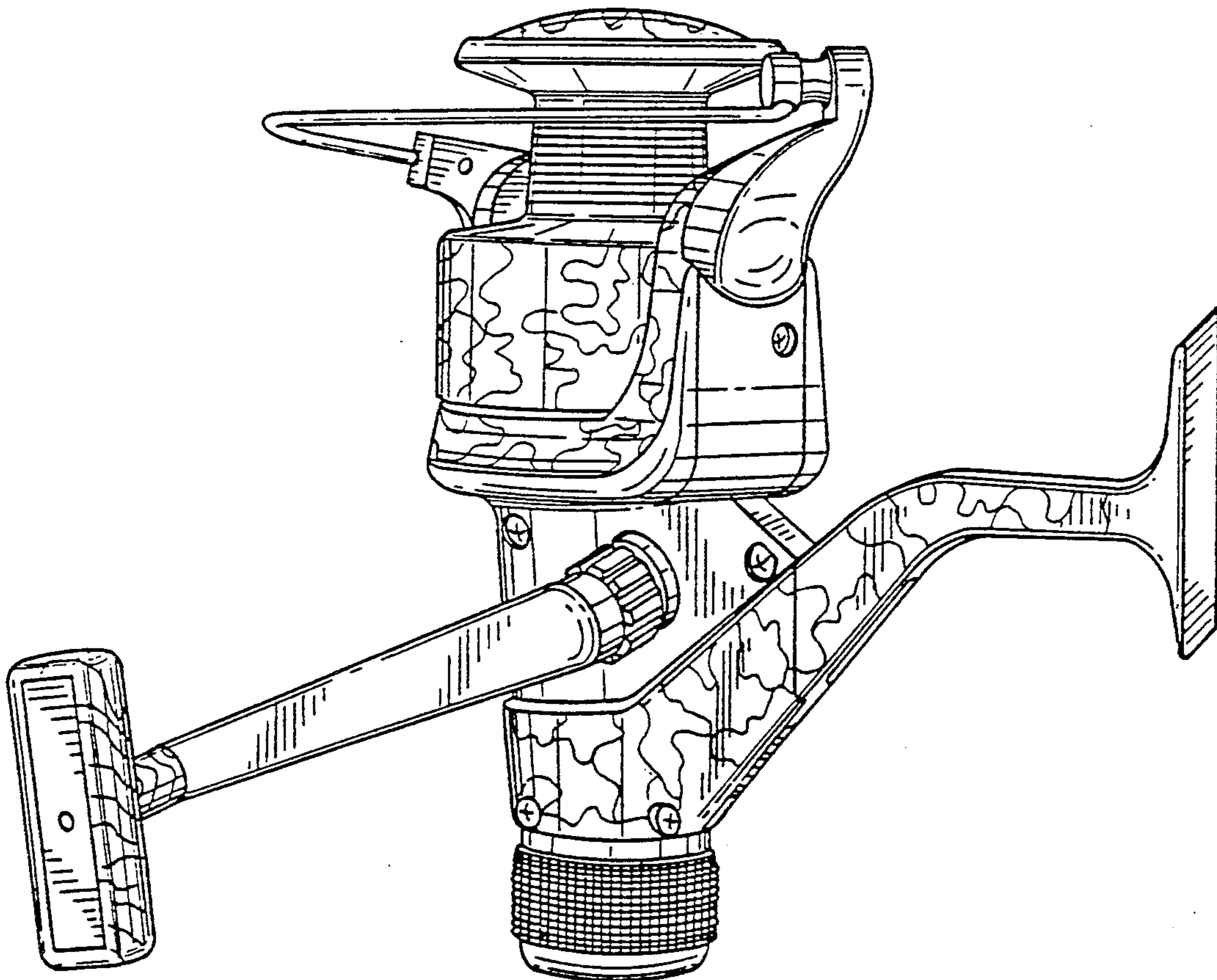
FIG. 13 is a front elevational view thereof; and,

FIG. 14 is a rear elevational view thereof.

[56] **References Cited**

**U.S. PATENT DOCUMENTS**

D. 290,989 7/1987 Teneyck et al. .... D22/141



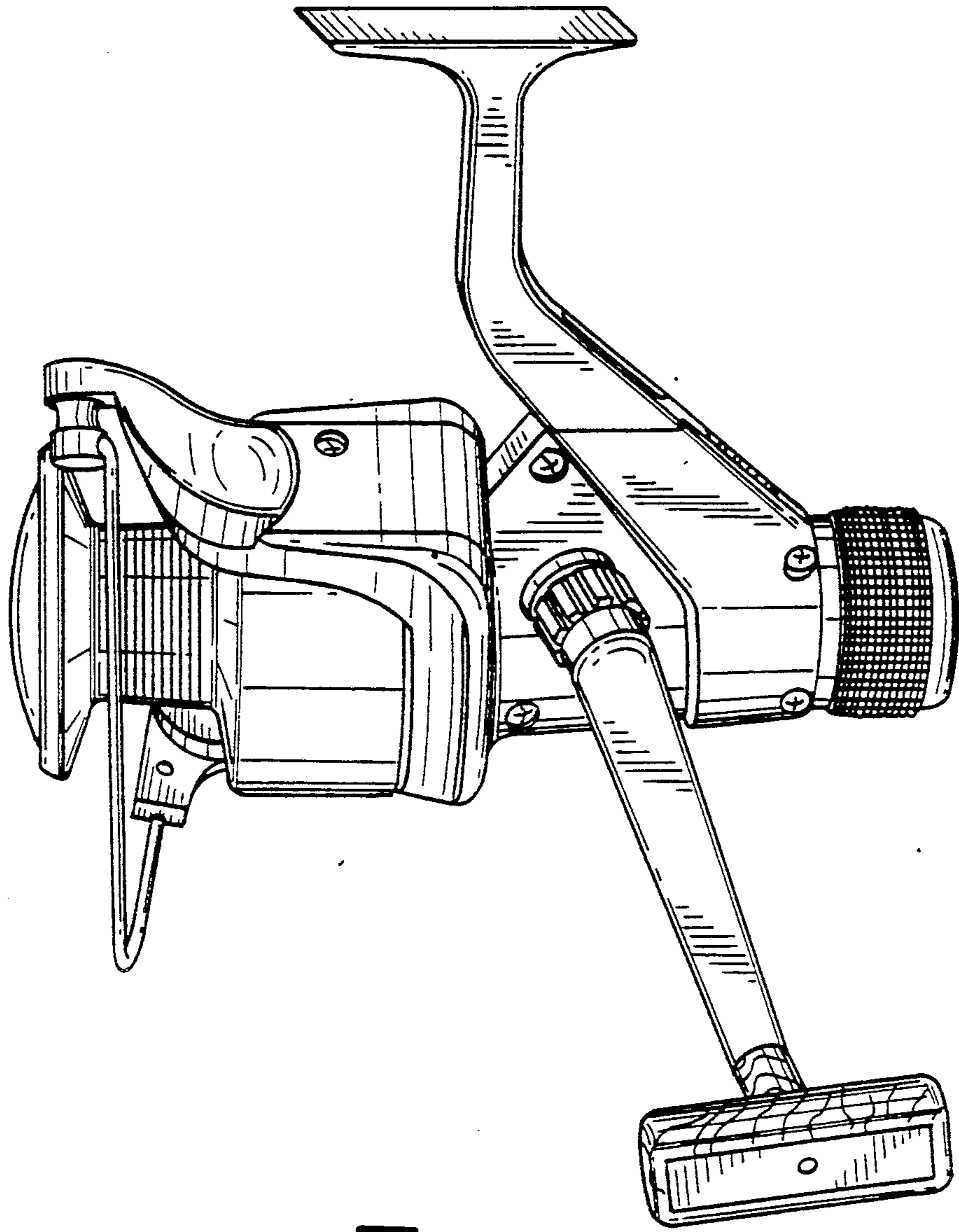


FIG. 1

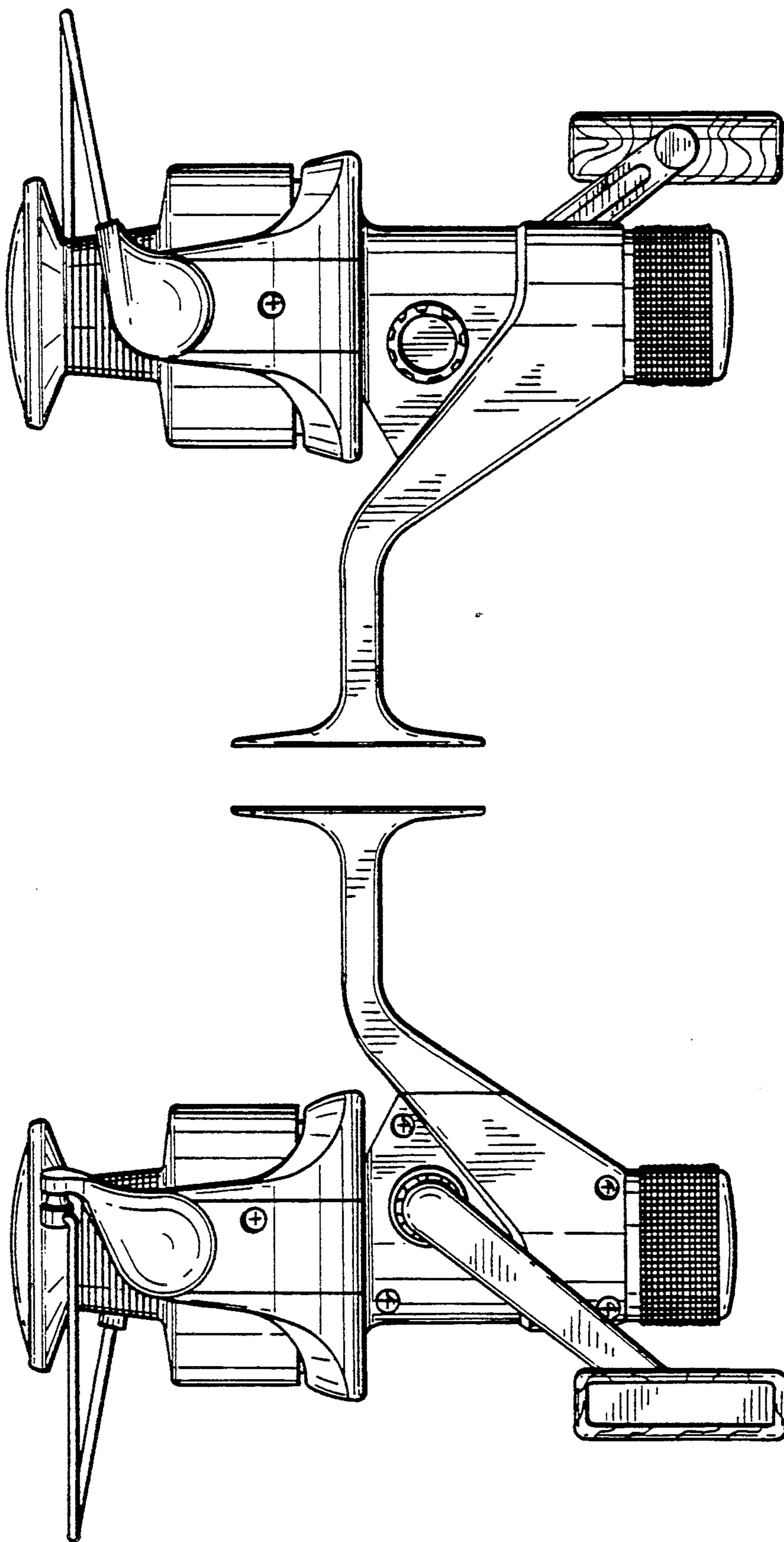


FIG. 3

FIG. 2

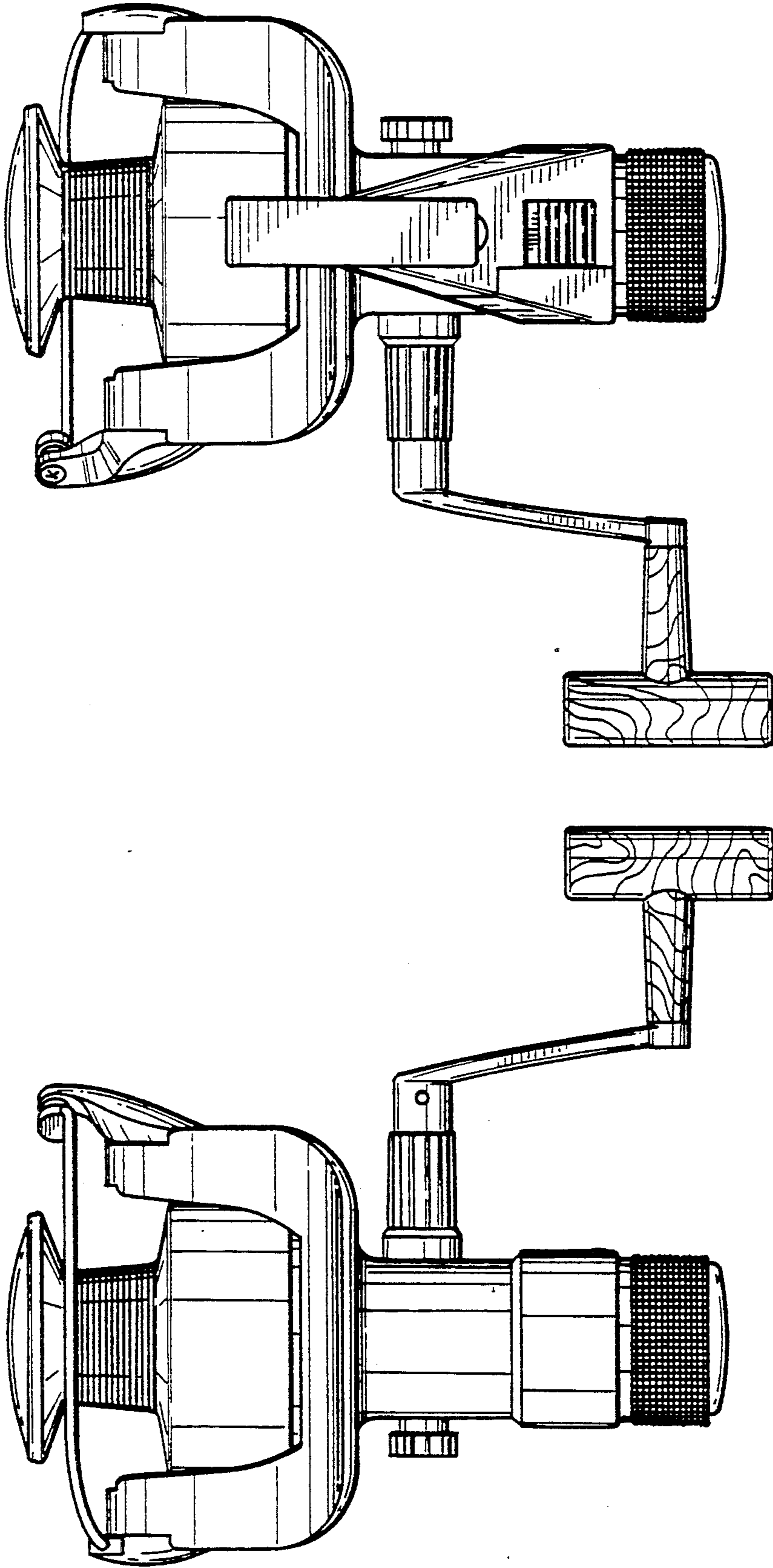


FIG. 5

FIG. 4

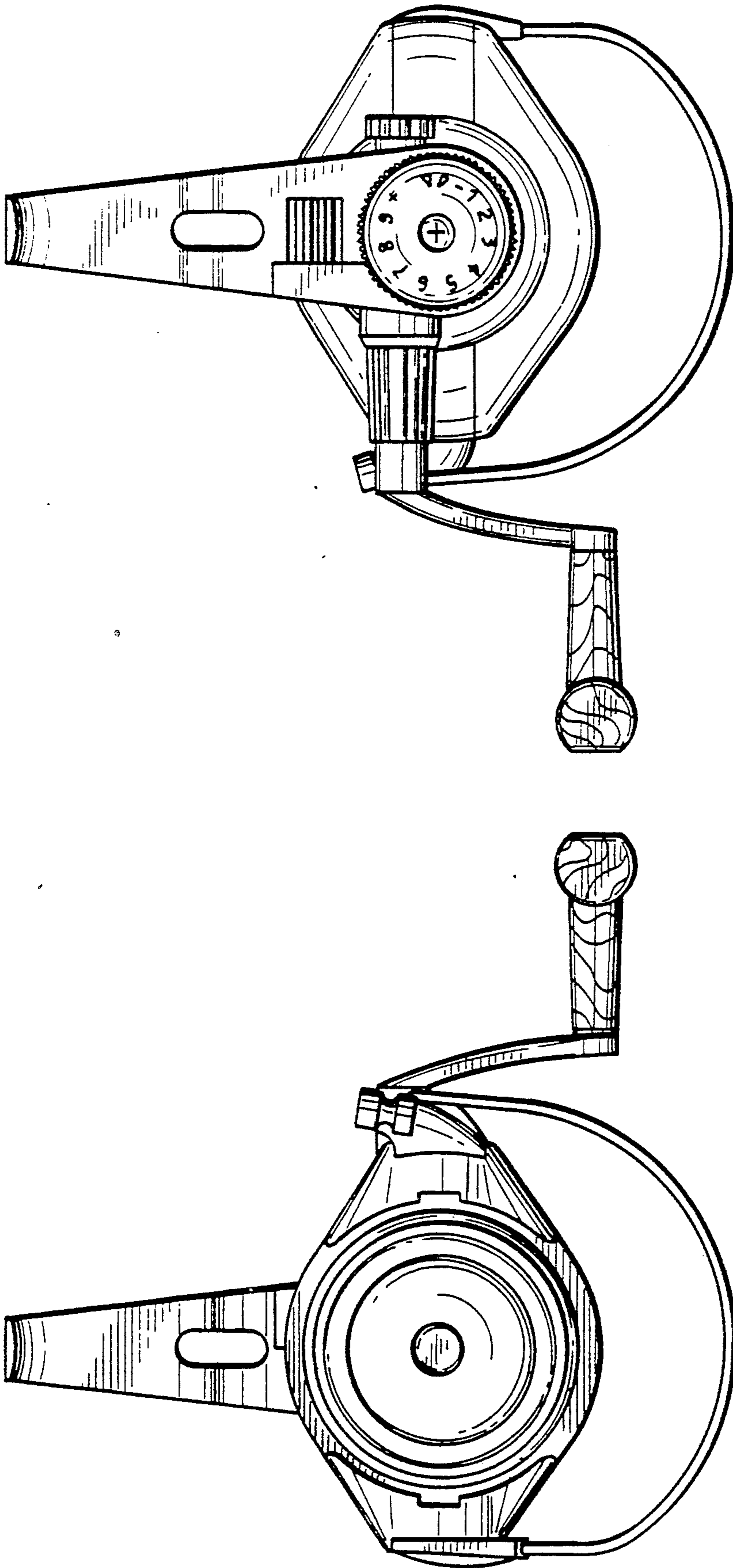


FIG. 7

FIG. 6

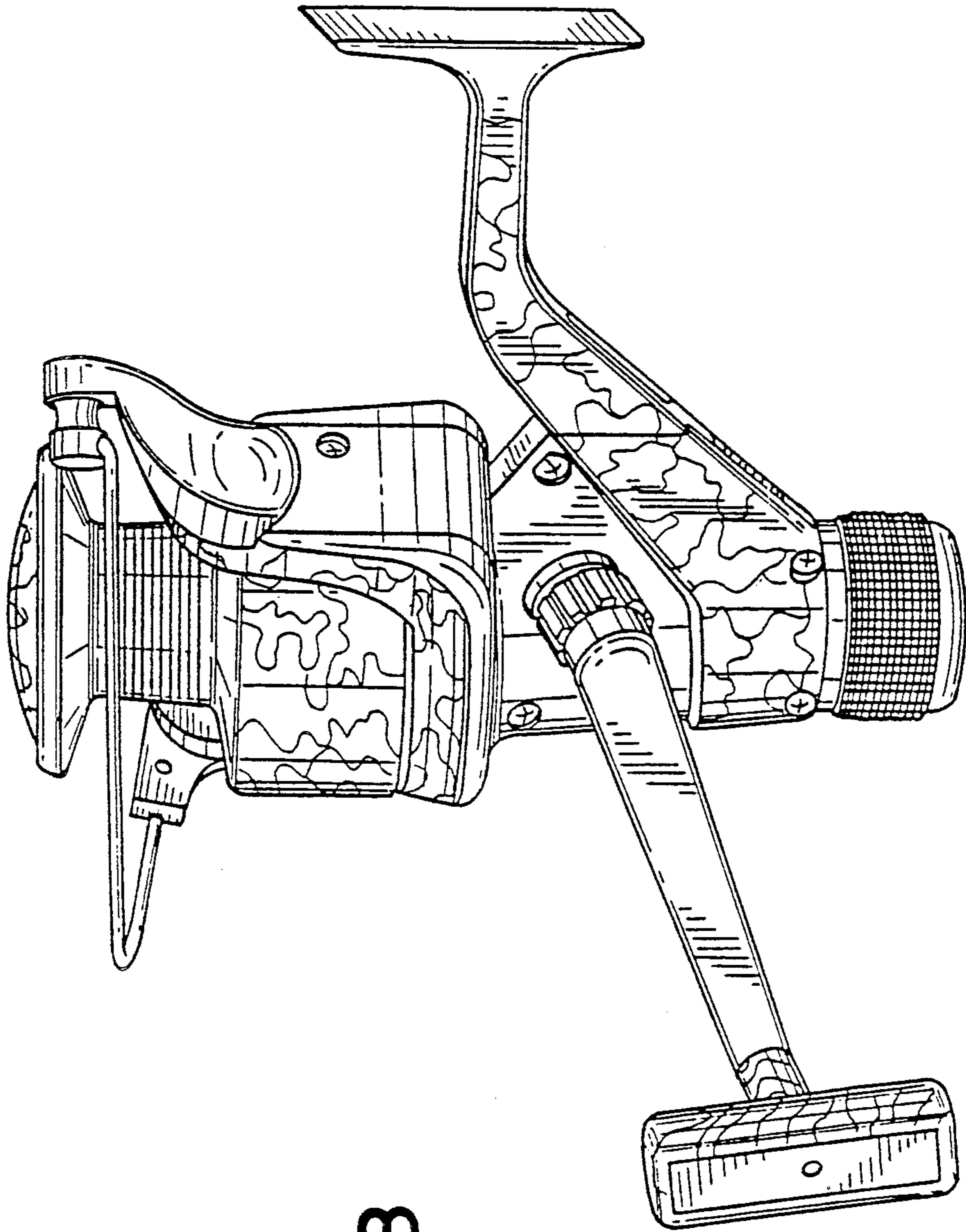


FIG. 8

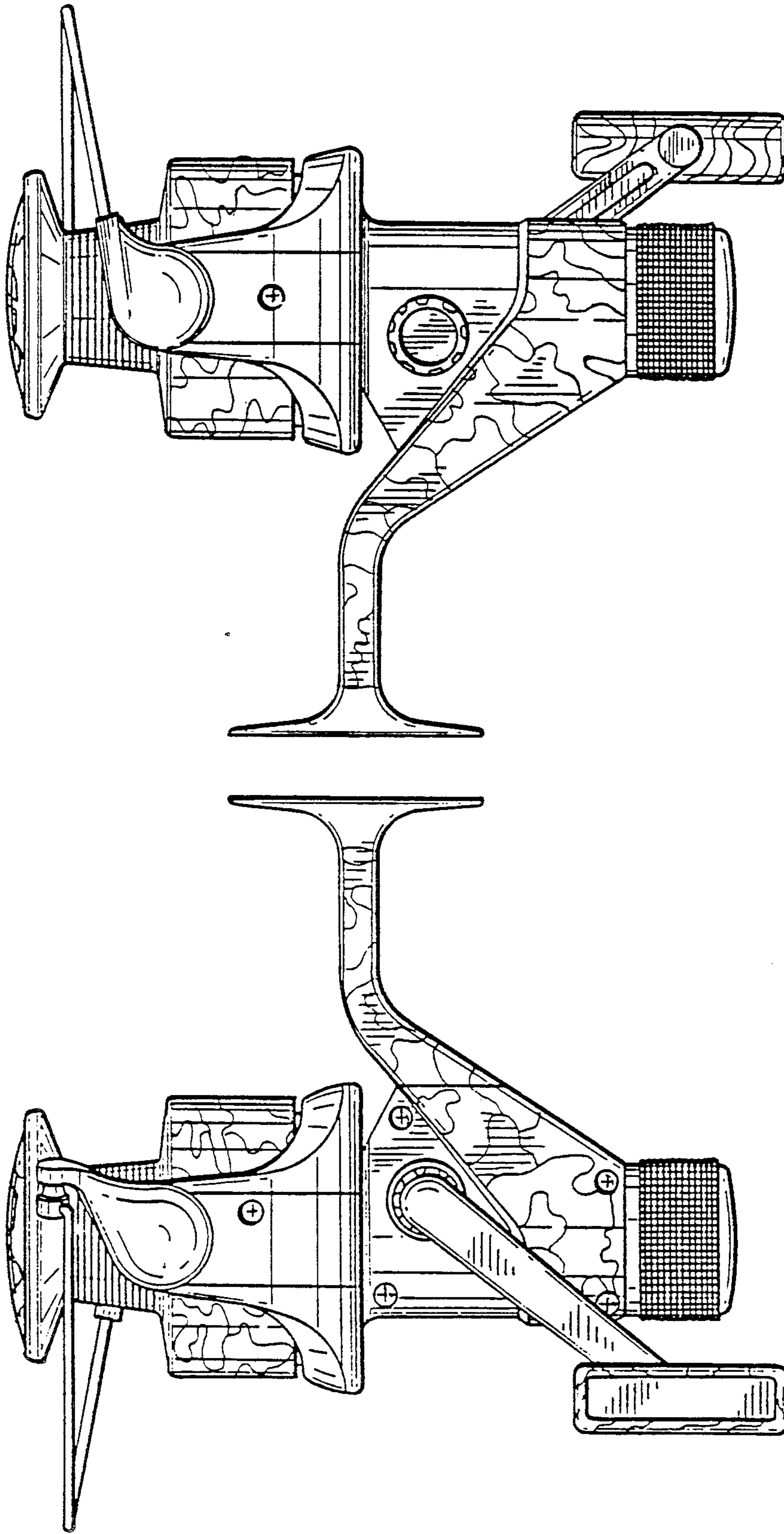


FIG. 10

FIG. 9

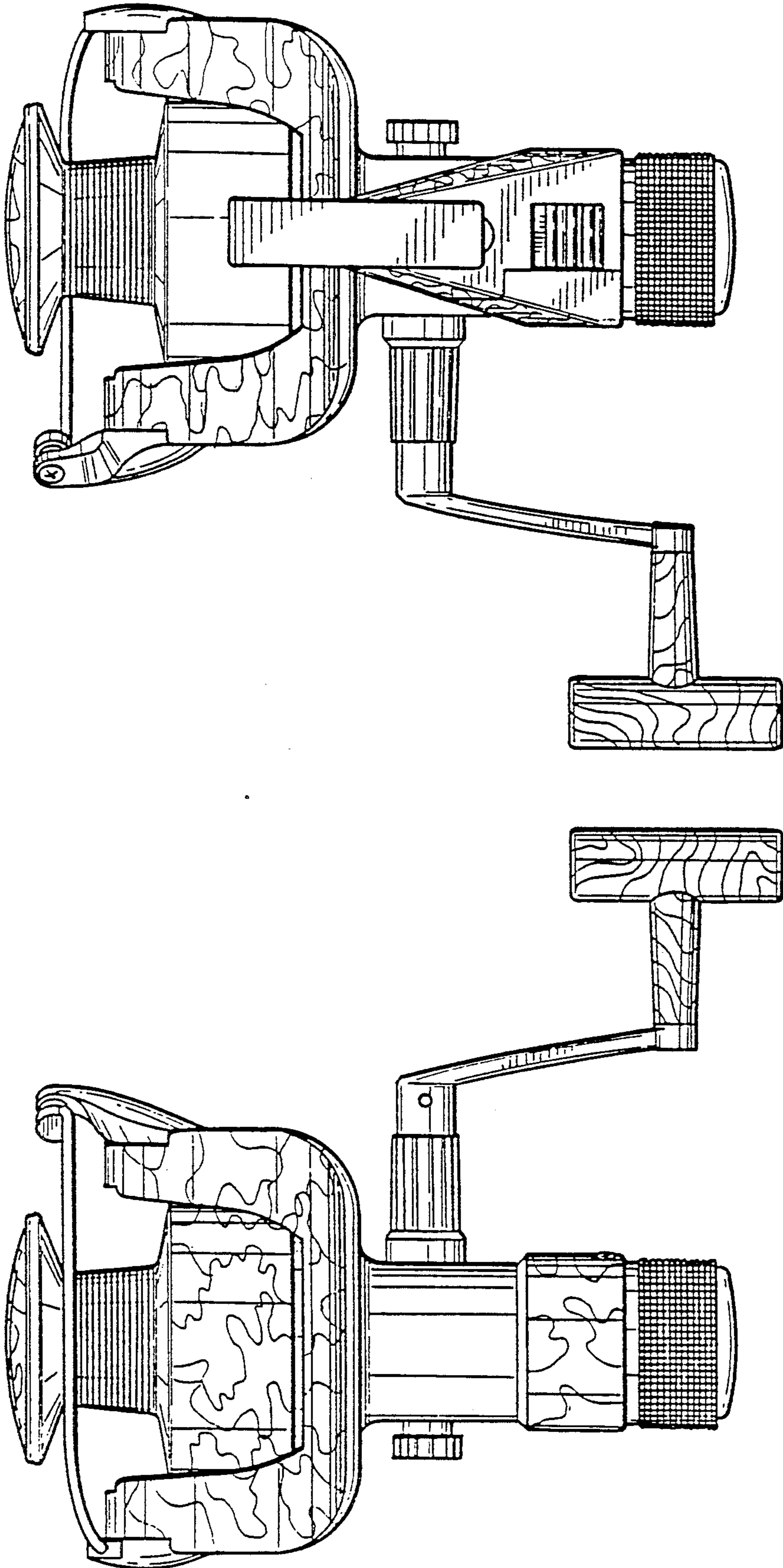


FIG. 12

FIG. 11



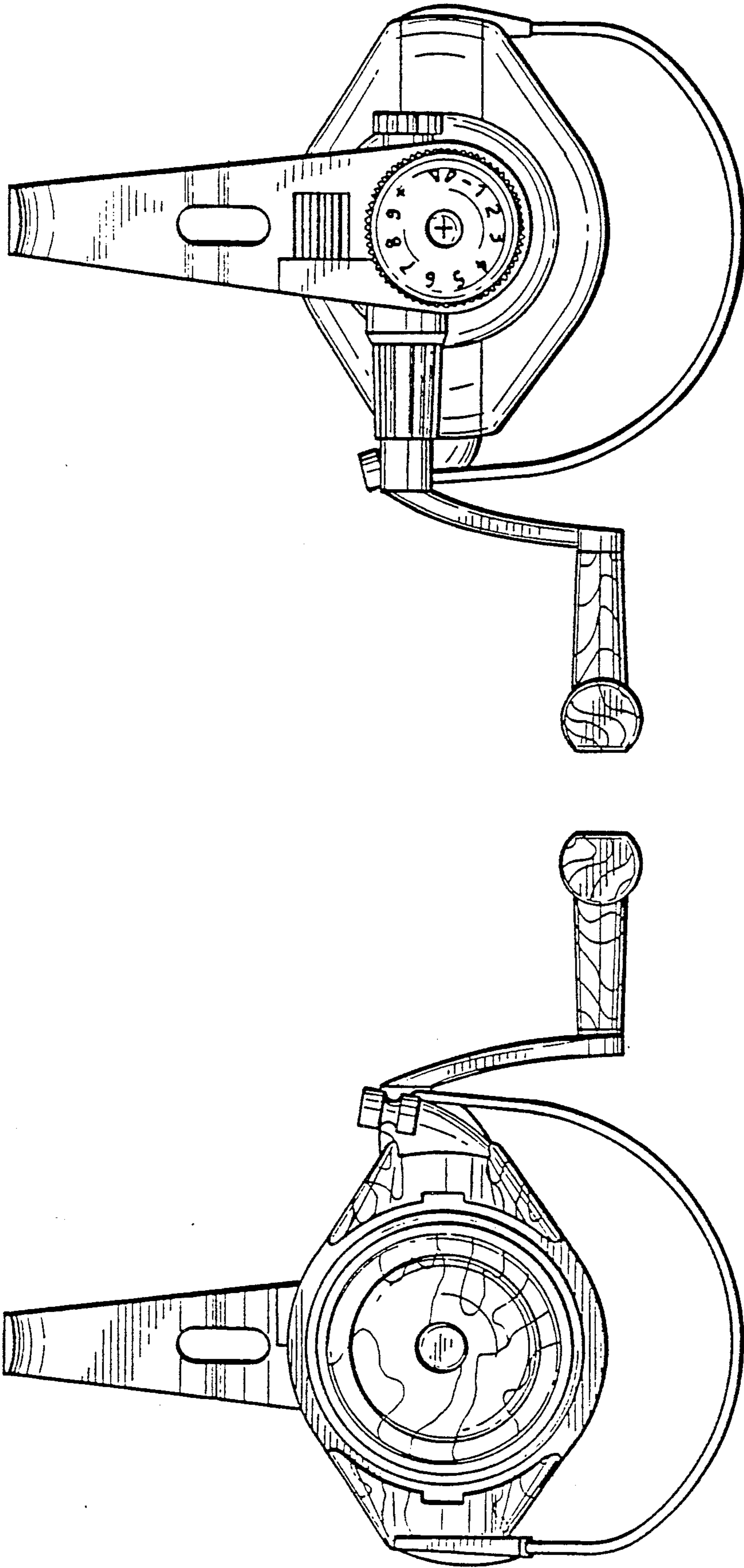


FIG. 14

FIG. 13