



US00D326491S

United States Patent [19]
Dalebout

[11] **Patent Number: Des. 326,491**
[45] **Date of Patent: ** May 26, 1992**

[54] **STEPPING EXERCISE MACHINE**

[76] **Inventor: William T. Dalebout, 1770 E. 1730 North, Logan, Utah 84321**

[**] **Term: 14 Years**

[21] **Appl. No.: 473,202**

[22] **Filed: Jan. 31, 1990**

[52] **U.S. Cl. D21/195**

[58] **Field of Search D21/191-199; 272/69, 70, 72, 97, 129, 134, 135, 130, 70.2**

[56] **References Cited**

U.S. PATENT DOCUMENTS

- D. 302,451 7/1989 Bull et al. D21/195
- D 304,358 10/1989 Armstrong et al. D21/195
- D. 314,597 2/1991 Armstrong et al. D21/195
- D. 319,085 8/1991 Kuo D21/195
- D. 319,275 8/1991 Hurt D21/195
- D. 319,855 9/1991 Bull D21/195
- 4,563,001 1/1986 Terauds .
- 4,659,075 4/1987 Wilkinson et al. .
- 4,681,346 7/1987 Decloux .
- 4,708,338 11/1987 Potts .

FOREIGN PATENT DOCUMENTS

- 523174 4/1931 Fed. Rep. of Germany .
- 2243794 9/1972 Fed. Rep. of Germany .
- 2919494 11/1980 Fed. Rep. of Germany .

OTHER PUBLICATIONS

Advertisement for UC310 "Skywalker" by Unicare Health and Fitness, 1988.

Advertisement for "Stepper 2000" by BMI, Page Copyrighted in 1988 (Estimate).

Advertisement for "718E" by Precor (Page Copyrighted 1987).

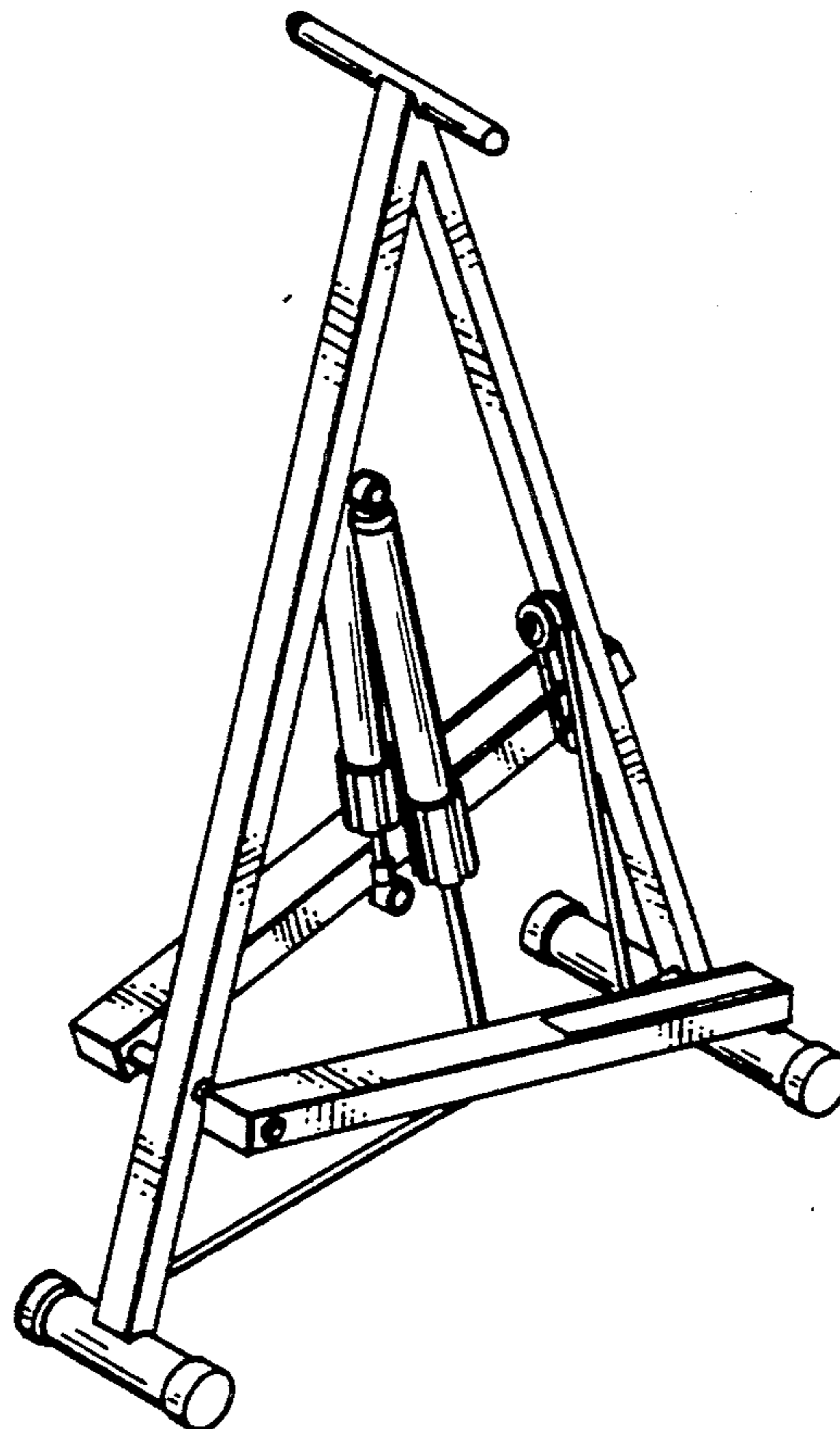
Primary Examiner—Charles A. Rademaker

[57] **CLAIM**

The ornamental design for a stepping exercise machine, as shown and described.

DESCRIPTION

FIG. 1 is a perspective view of a stepping exercise machine showing my design thereof;
 FIG. 2 is a left side elevational view thereof;
 FIG. 3 is a right side elevational view thereof;
 FIG. 4 is a front elevational view thereof;
 FIG. 5 is a rear elevational view thereof;
 FIG. 6 is a top plan view thereof; and,
 FIG. 7 is a bottom plan view thereof.



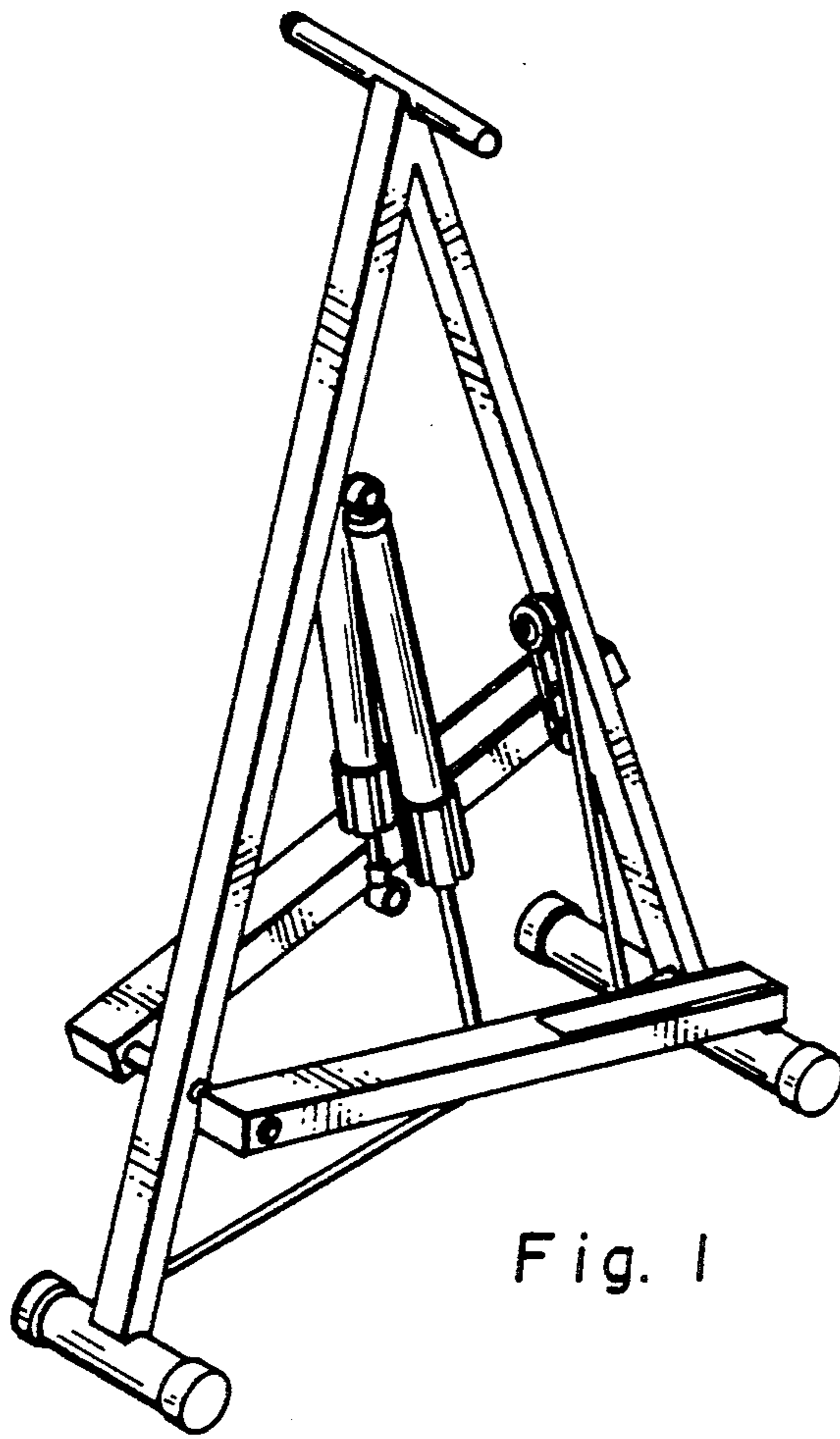


Fig. 1

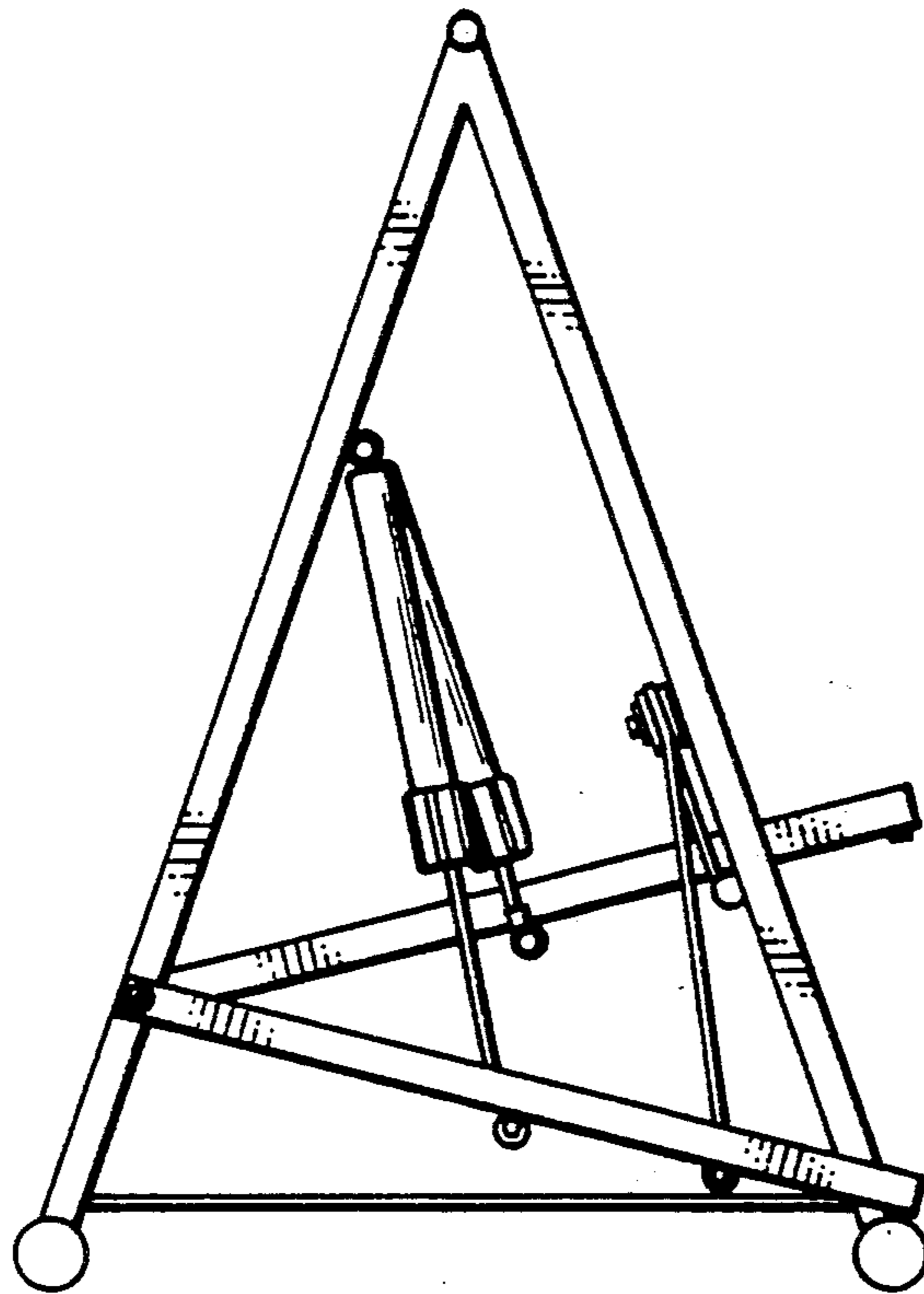


Fig. 2

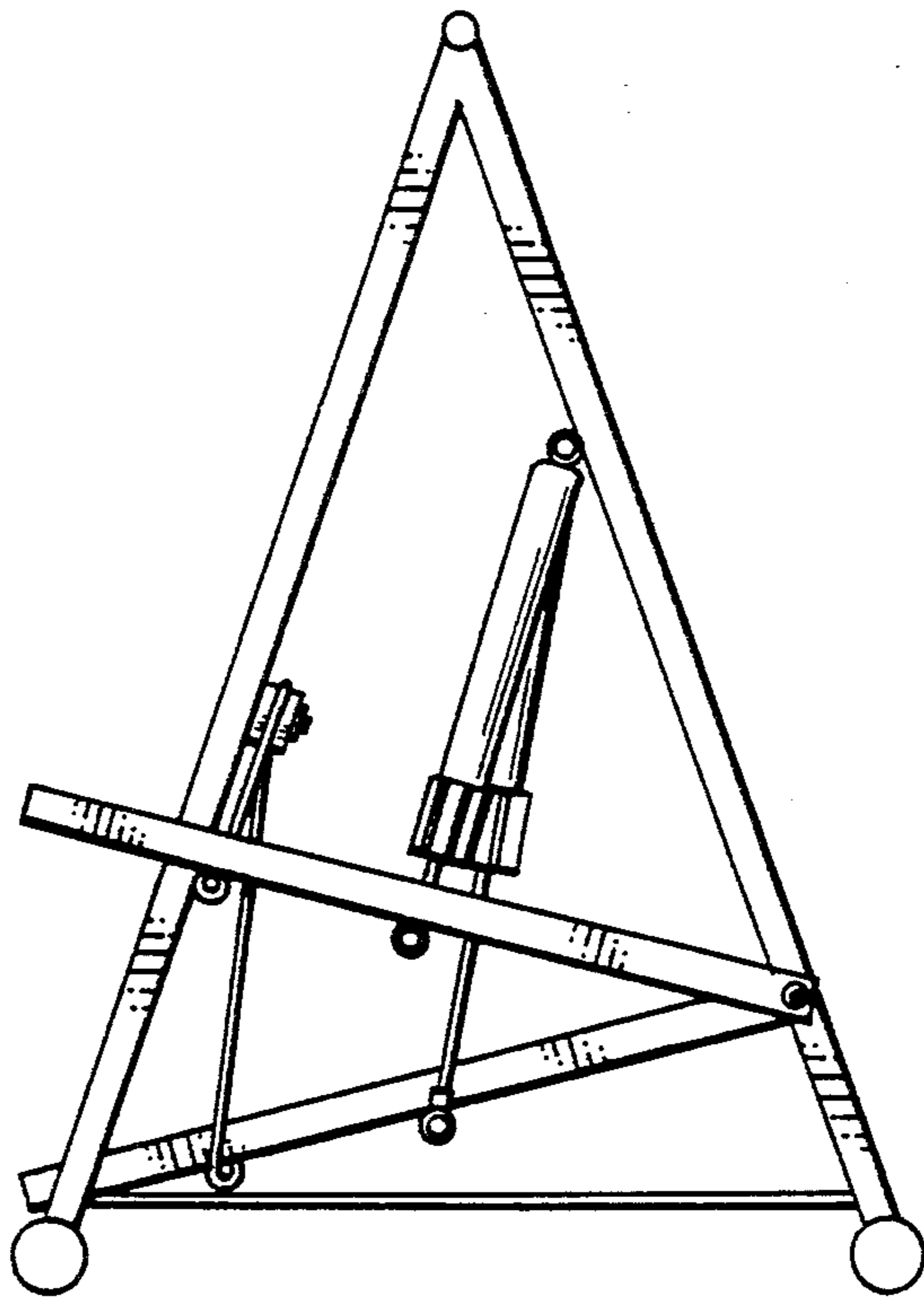


Fig. 3

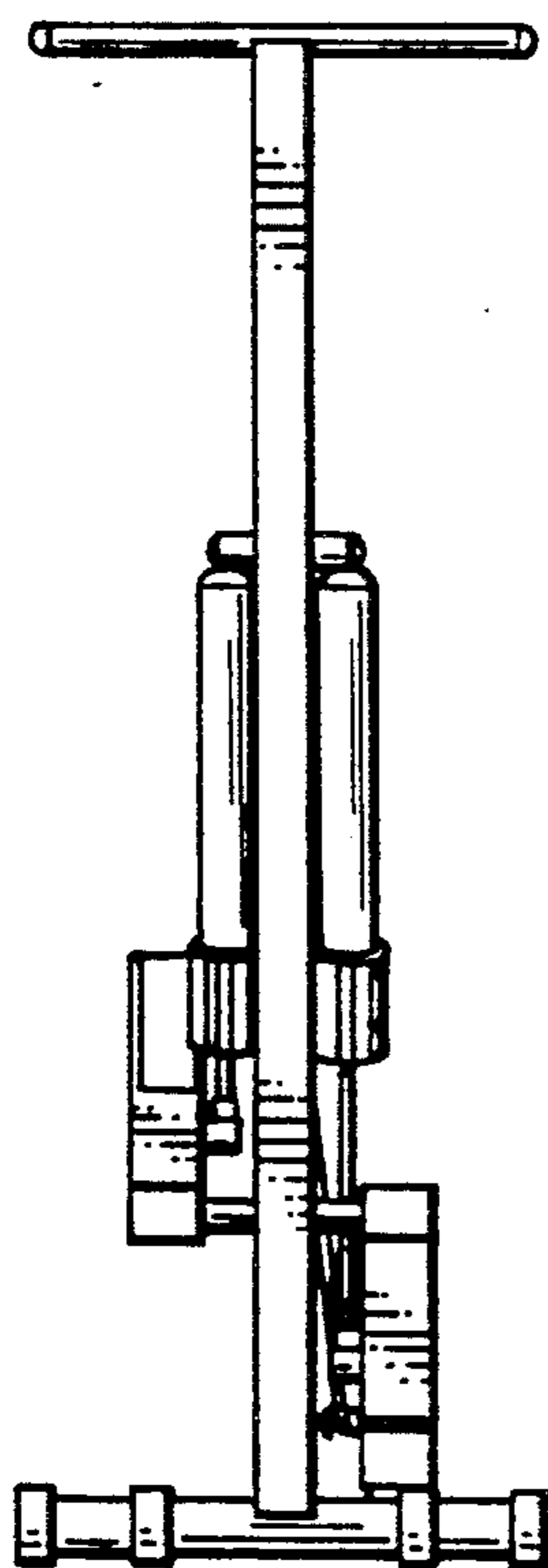


Fig. 4

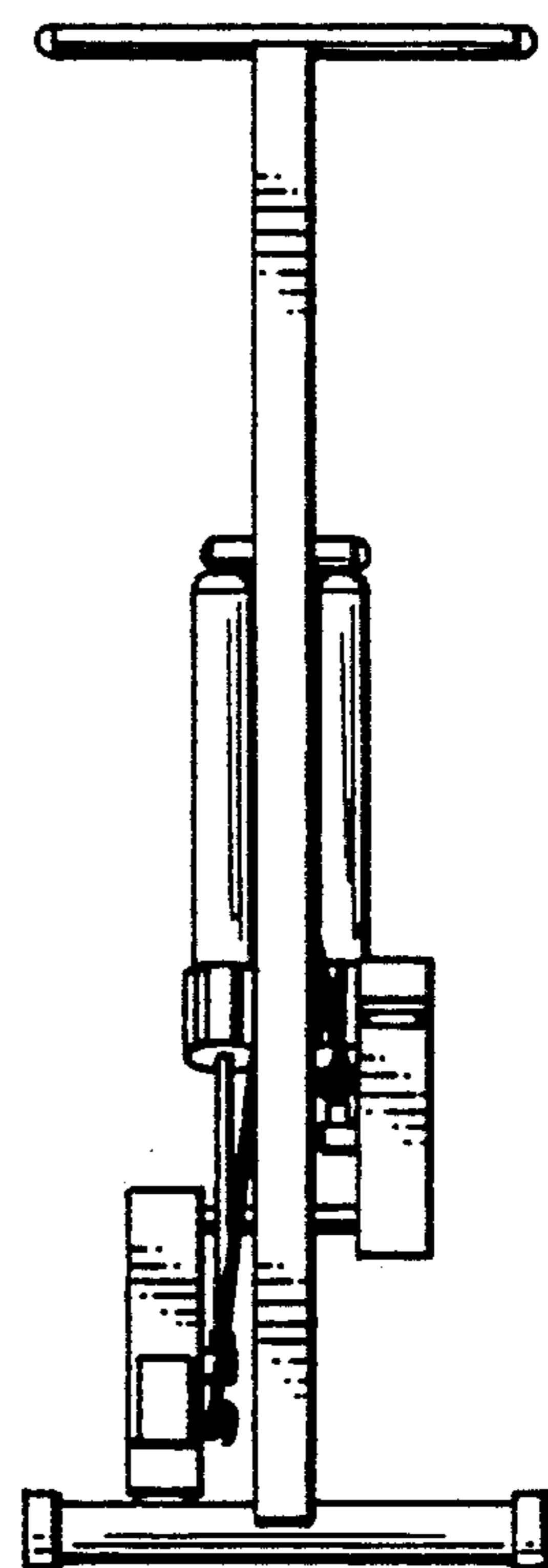


Fig. 5

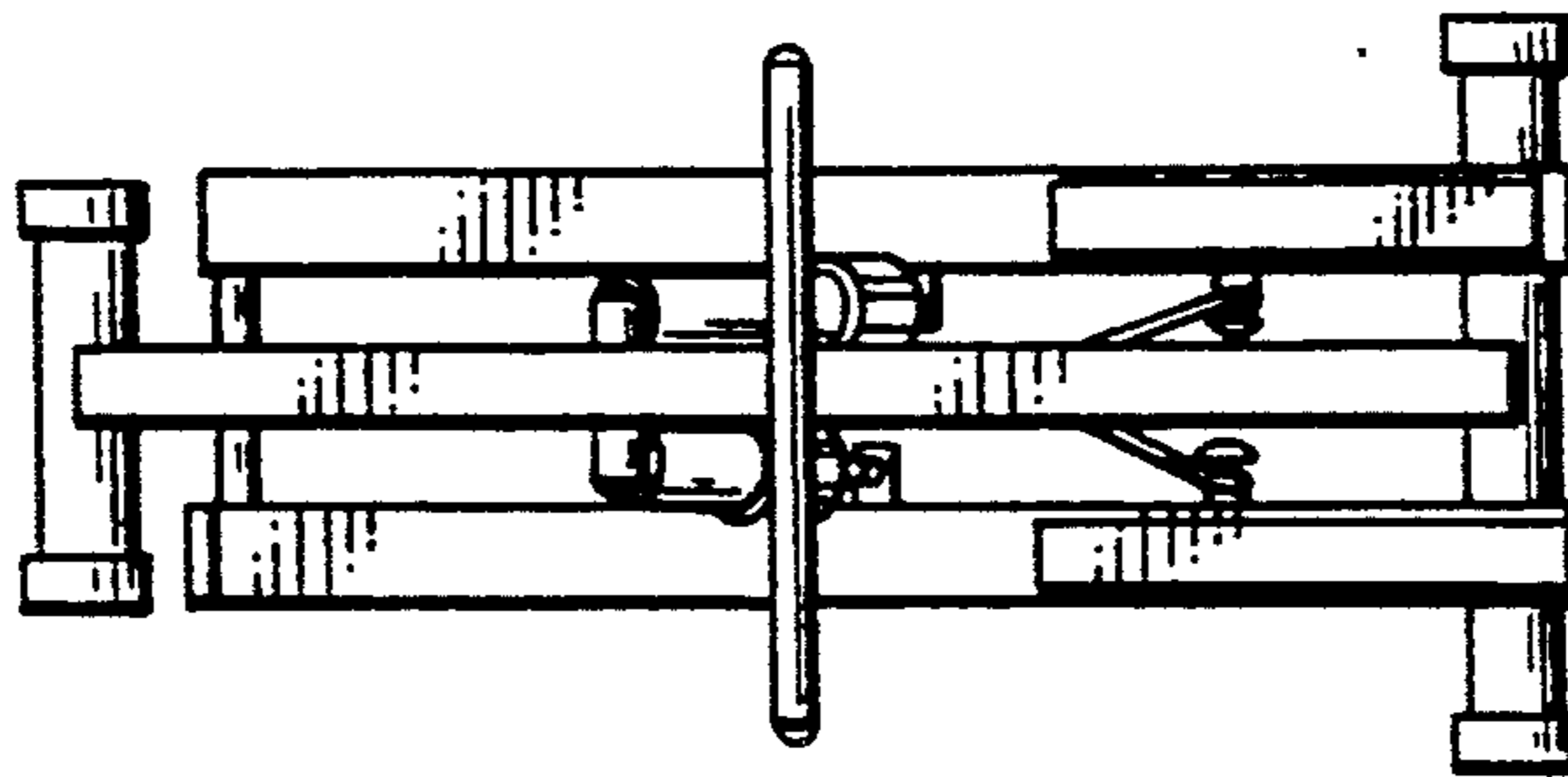


Fig. 6

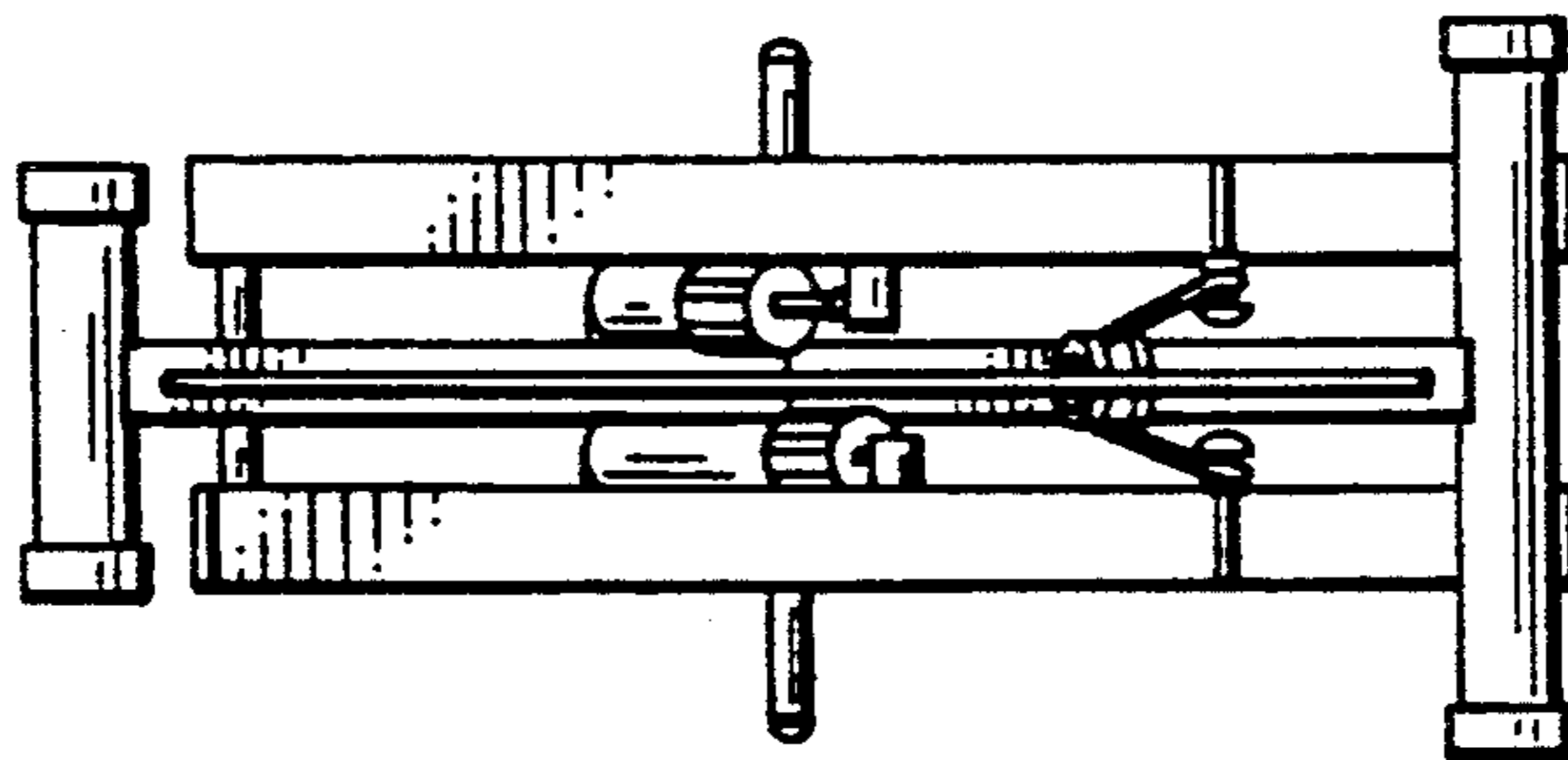


Fig. 7