



US00D326485S

United States Patent [19]

[11] Patent Number: **Des. 326,485**

Rudell et al.

[45] Date of Patent: **** May 26, 1992**

[54] HORSE AND BUGGY RIDING TOY

[56] References Cited

[76] Inventors: **Elliot Rudell**, 6556 Sattes Dr., Rancho Palos Verdes, Calif. 90274; **Joe Cernansky**, 2369 W. 246th St., Lomita, Calif. 90717; **George Foster**, 2700 Panorama Dr., Signal Hill, Calif. 90806; **Rick Kamrath**, 26229 Regent St., Lomita, Calif. 90717

U.S. PATENT DOCUMENTS

| | | | |
|------------|---------|-----------------|----------|
| D. 164,454 | 9/1951 | Sebel | 280/1.16 |
| D. 174,467 | 4/1955 | Pinto | 280/1.16 |
| D. 185,489 | 6/1959 | Chalmers | 280/1.16 |
| D. 188,552 | 8/1960 | Rassier | 280/1.16 |
| D. 212,858 | 12/1968 | Campbell | D21/75 |
| 287,095 | 10/1983 | Carpenter | 446/275 |
| D. 288,703 | 3/1987 | Effler | D21/134 |
| 990,997 | 5/1911 | Magee | 280/1.16 |

[**] Term: **14 Years**

Primary Examiner—Bernard Ansher
Assistant Examiner—R. Barkai
Attorney, Agent, or Firm—Plante, Strauss & Vanderburgh

[21] Appl. No.: **551,272**

[57] CLAIM

[22] Filed: **Jul. 11, 1990**

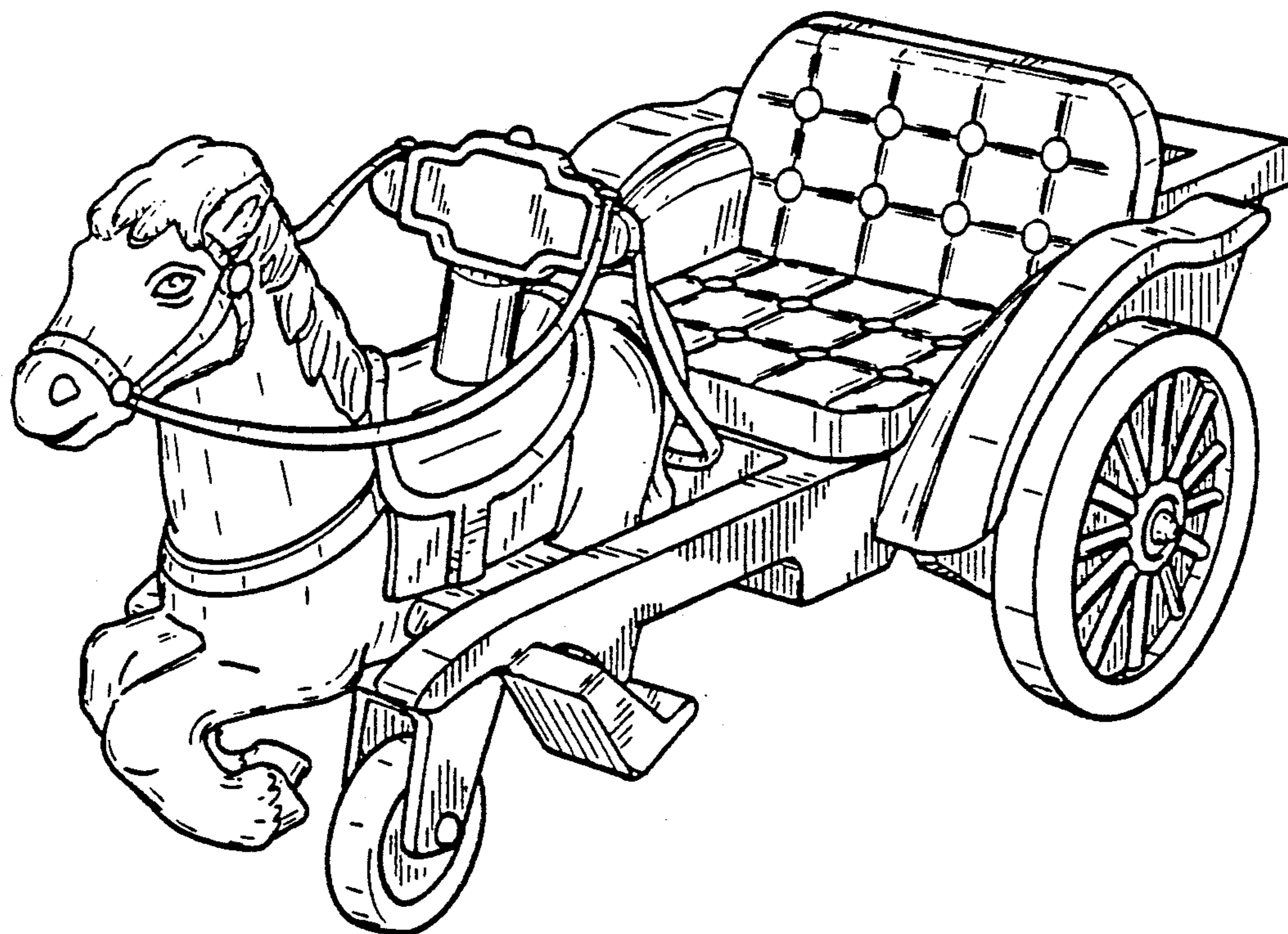
The ornamental design for a horse and buggy riding toy, as shown and described.

Related U.S. Application Data

DESCRIPTION

- [63] Continuation-in-part of Ser. No. 37,458, Apr. 13, 1987.
- [52] U.S. Cl. **D21/75**
- [58] Field of Search D21/71, 74, 75, 134, D21/76, 80, 136, 137; D12/91, 92, 87; 446/275, 451, 279, 286, 462, 463, 465, 440; 280/87.021, 87.01, 282, 1.16, 1.13; 180/210; 272/52, 54

FIG. 1 is a perspective view of a horse and buggy riding toy showing our new design; FIG. 2 is a side elevational view thereof; the side opposite being a mirror image; FIG. 3 is a top plan view thereof; FIG. 4 is a rear elevational view thereof; and, FIG. 5 is a front elevational view thereof.



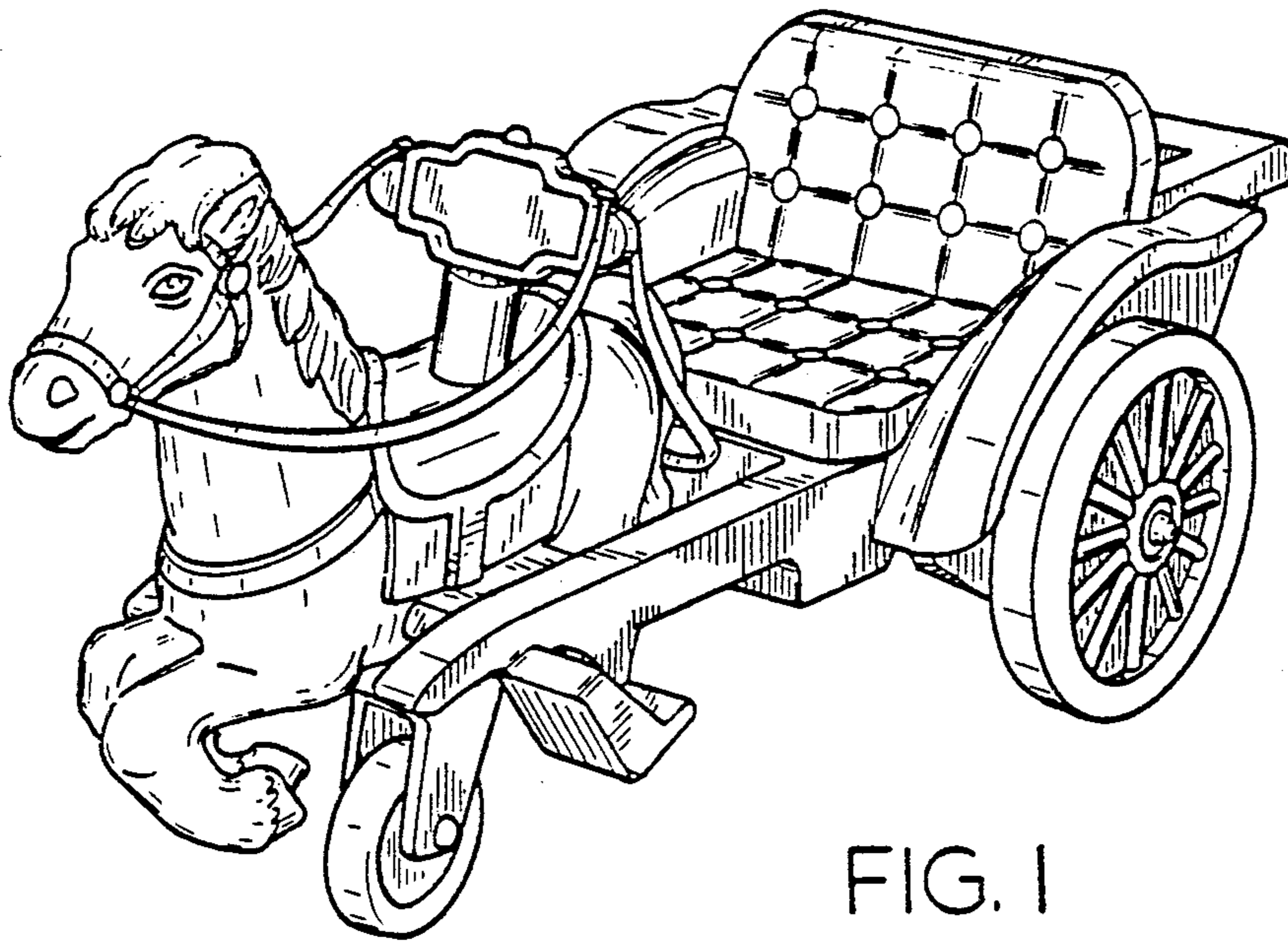


FIG. 1

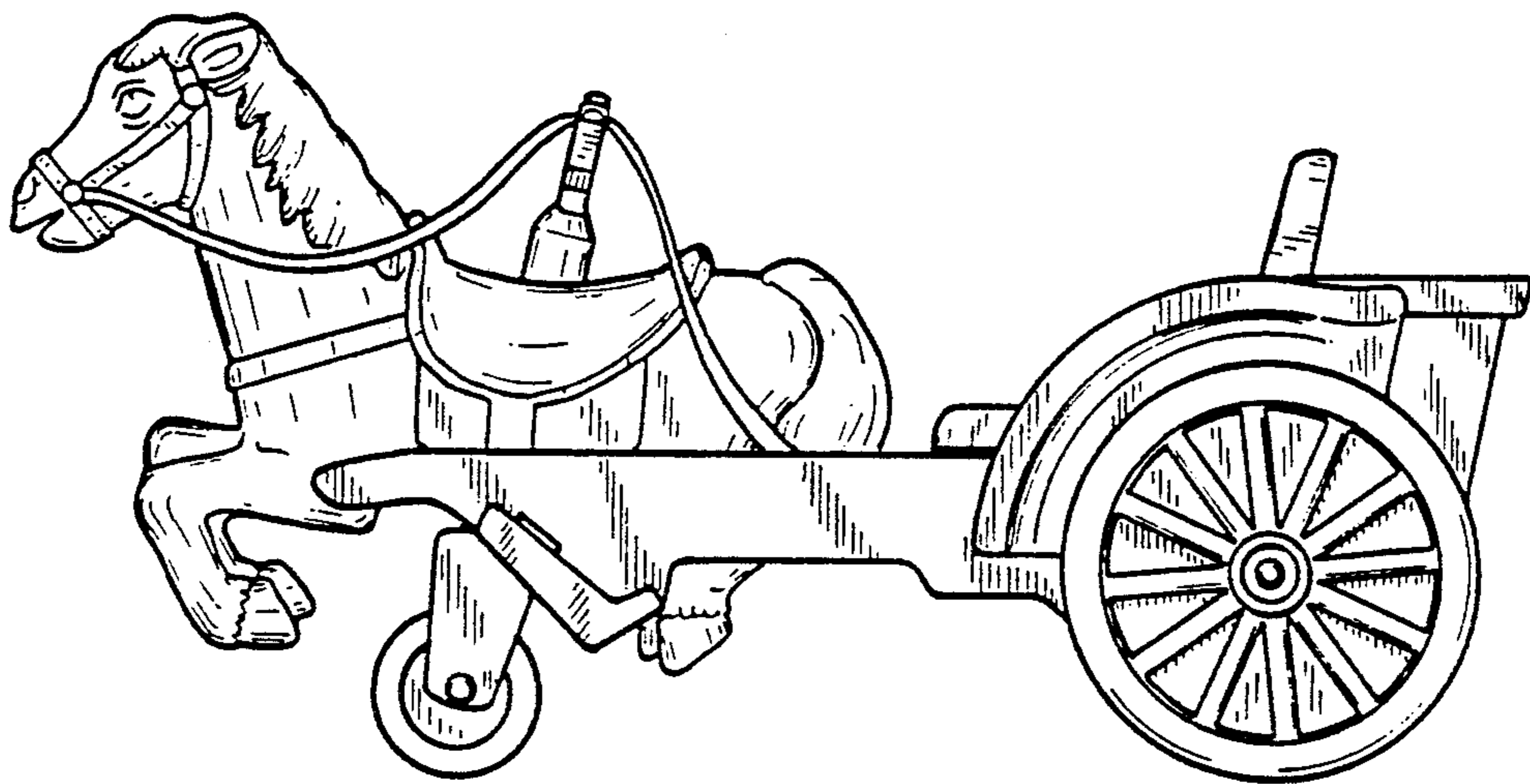


FIG. 2

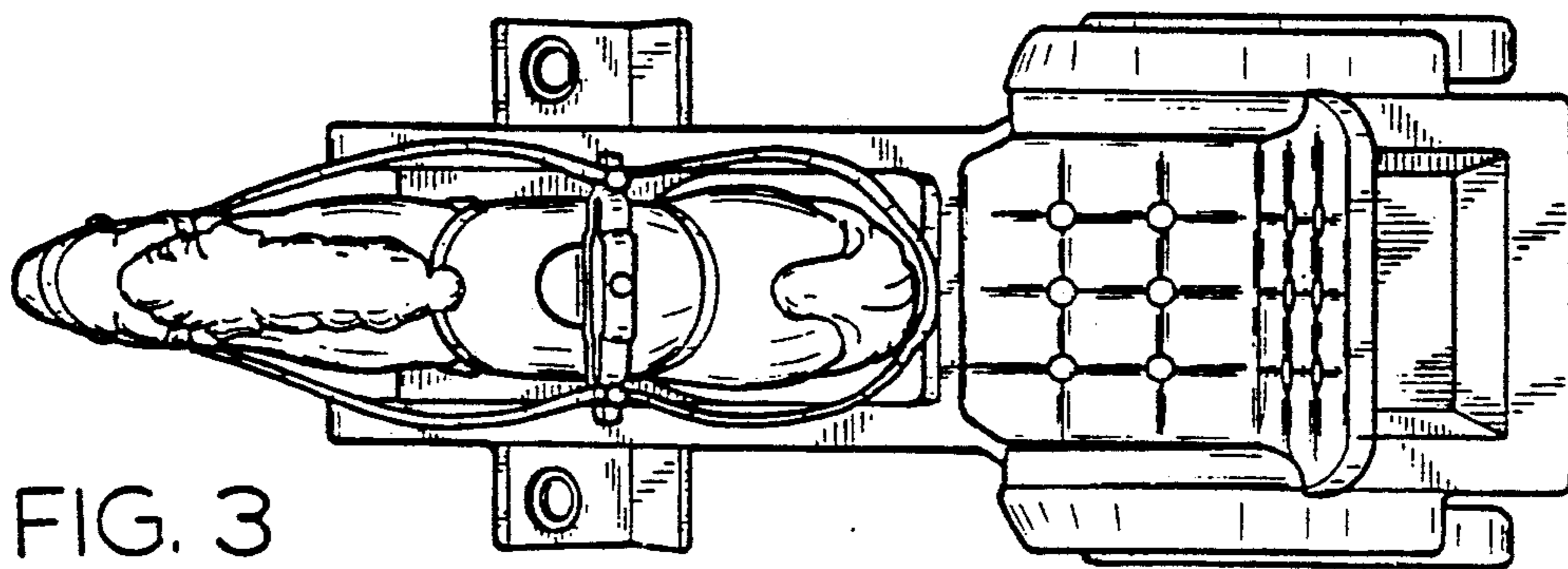


FIG. 3

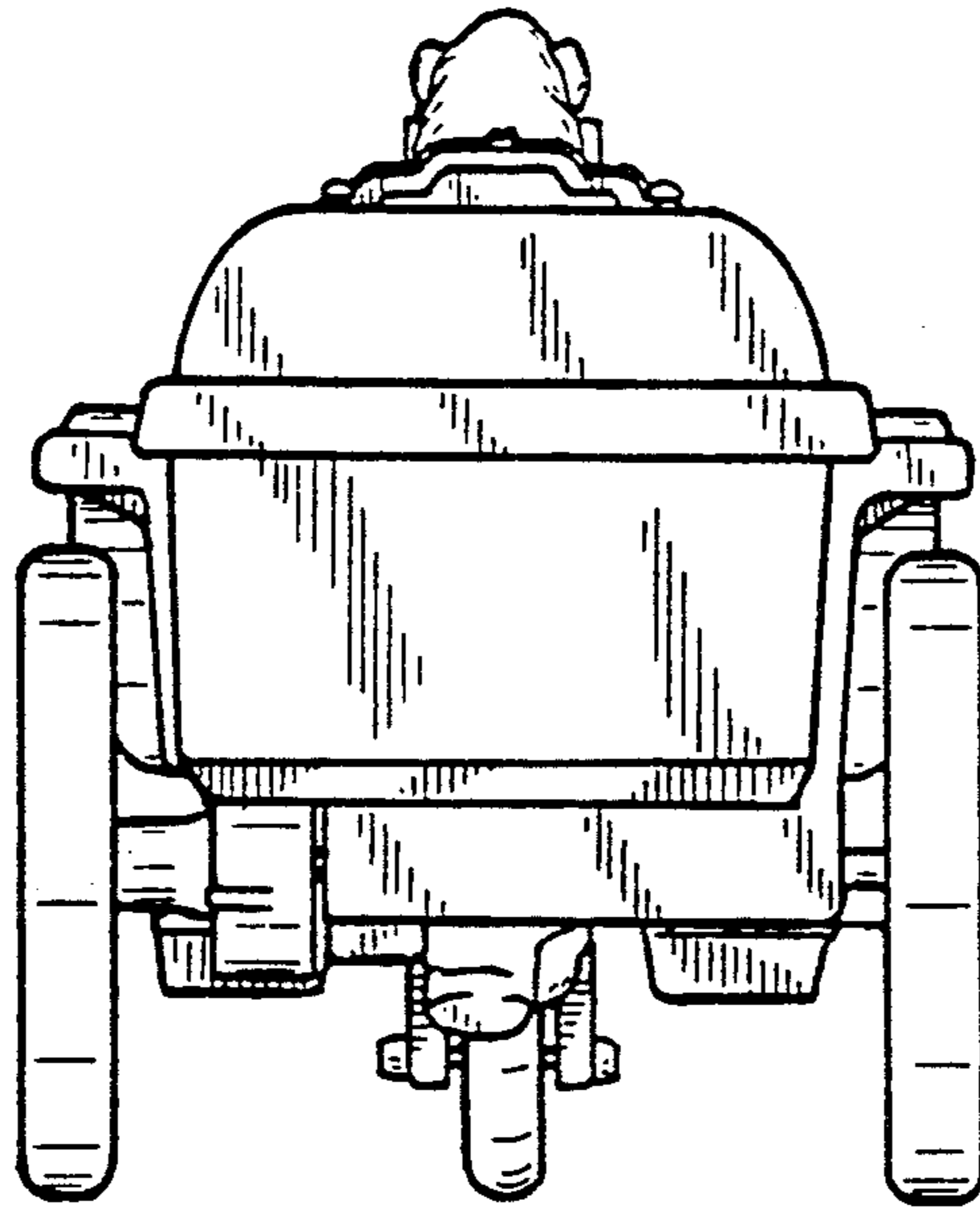


FIG. 4

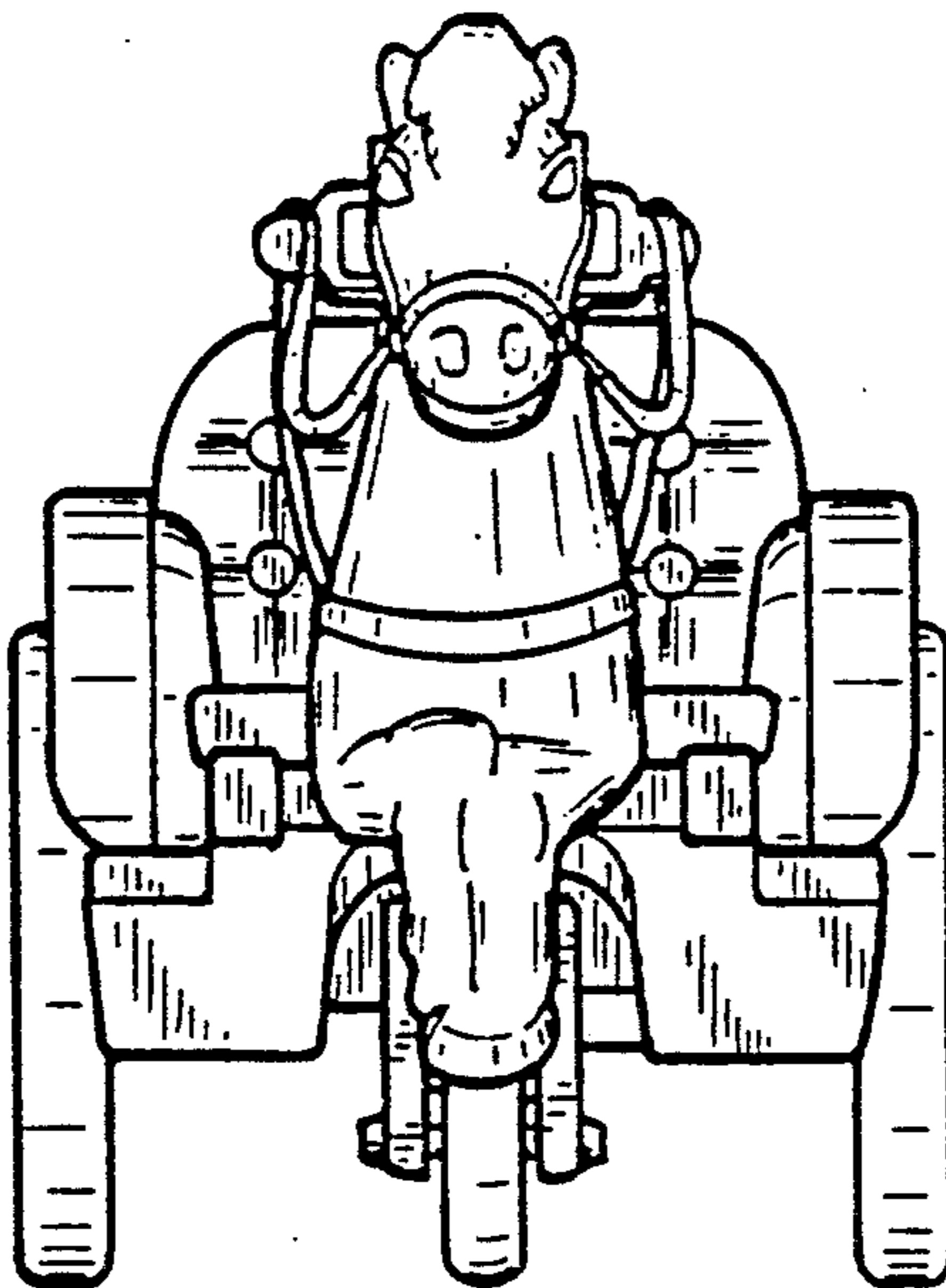


FIG. 5