



US00D326481S

United States Patent [19]
Pritchett

[11] **Patent Number: Des. 326,481**

[45] **Date of Patent: ** May 26, 1992**

[54] **GAME BOARD**

[76] **Inventor: Thomas H. Pritchett, 600 S. Main,
Kaysville, Utah 84037**

[**] **Term: 14 Years**

[21] **Appl. No.: 364,005**

[22] **Filed: Jun. 7, 1989**

952,644 3/1910 Sato 273/123 R
2,230,767 2/1941 Strattman D21/29
2,451,770 10/1948 Parke 273/123 R
2,590,002 3/1952 Fraizier 273/108

Primary Examiner—Bernard Ansher
Assistant Examiner—Sandra Morris
Attorney, Agent, or Firm—Trask, Britt & Rossa

Related U.S. Application Data

[63] Continuation-in-part of Ser. No. 298,000, Jan. 17, 1989.
[52] **U.S. Cl.** **D21/16; D21/14**
[58] **Field of Search** **D21/14-36;**
273/236-285, 108, 113, 115, 123 R

References Cited

U.S. PATENT DOCUMENTS

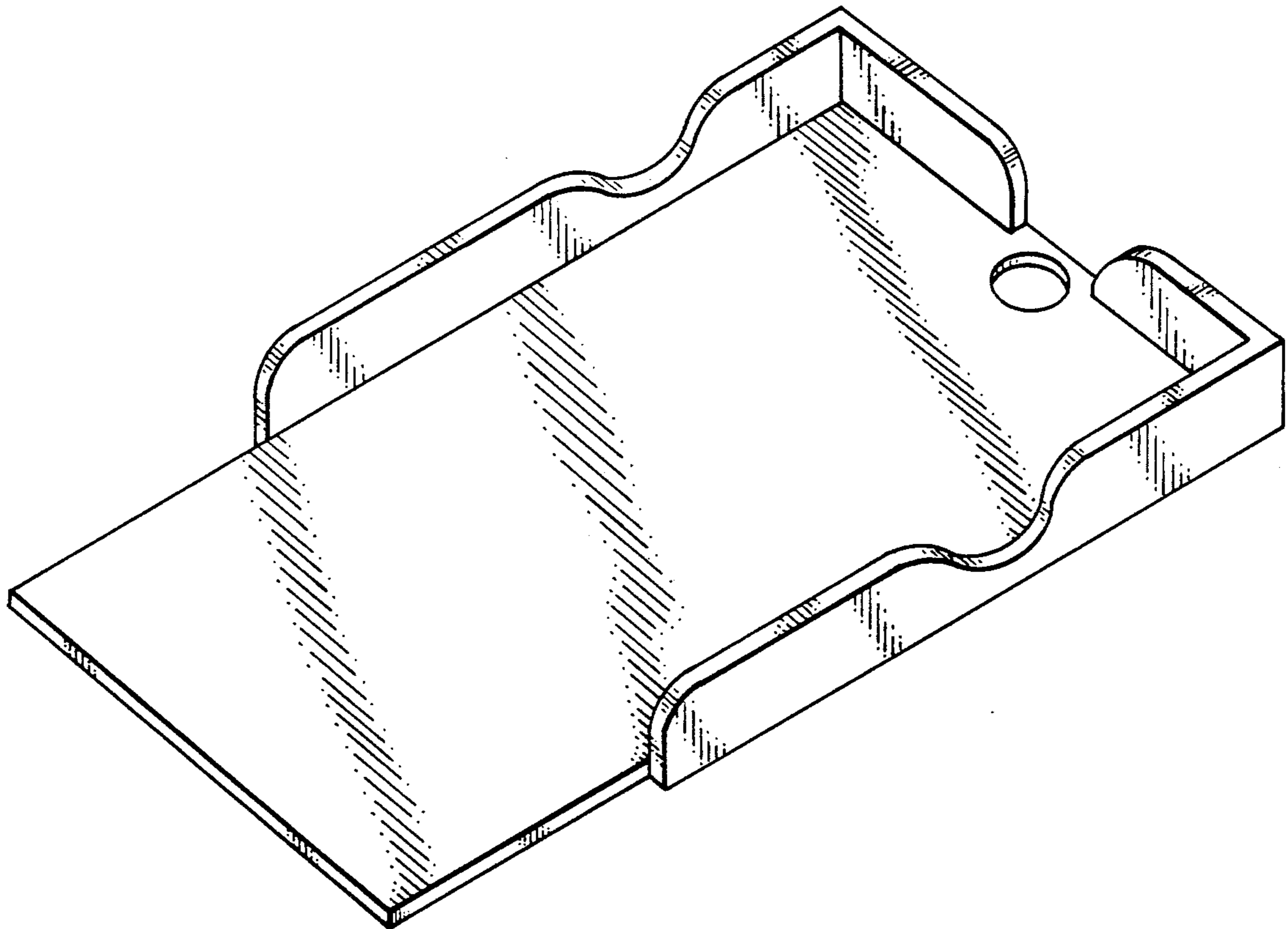
D. 262,898 2/1982 Lonardo D21/25
436,809 9/1890 Kantner 273/115

[57] **CLAIM**

The ornamental design for a game board, as shown and described.

DESCRIPTION

FIG. 1 is a top perspective view of a game board, showing my new design;
FIG. 2 is an enlarged bottom plan view thereof;
FIG. 3 is an enlarged top plan view thereof;
FIG. 4 is a front elevational view thereof;
FIG. 5 is a left side elevational view thereof, the right side being a mirror image thereof; and,
FIG. 6 is a rear elevational view thereof.



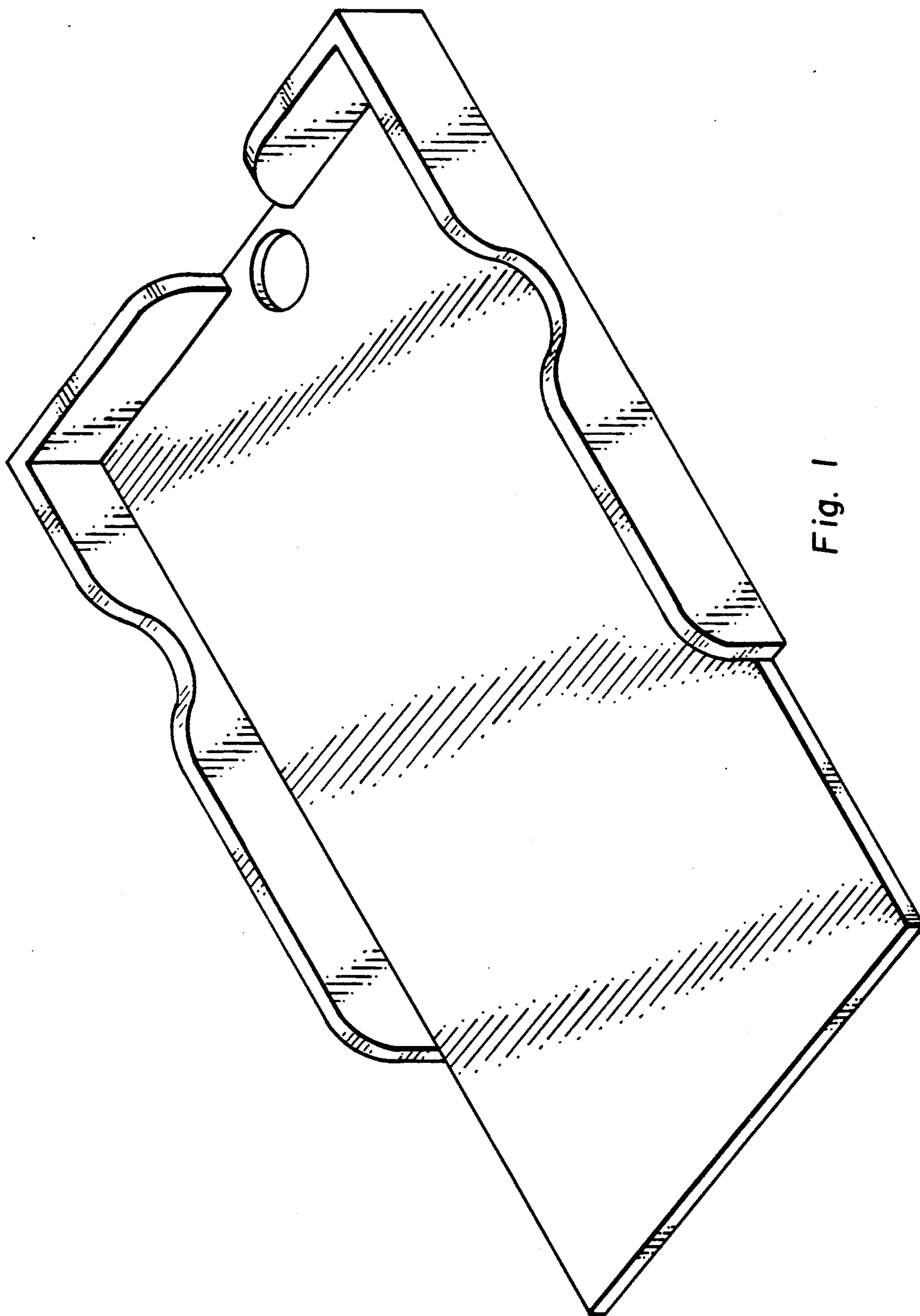


Fig. 1

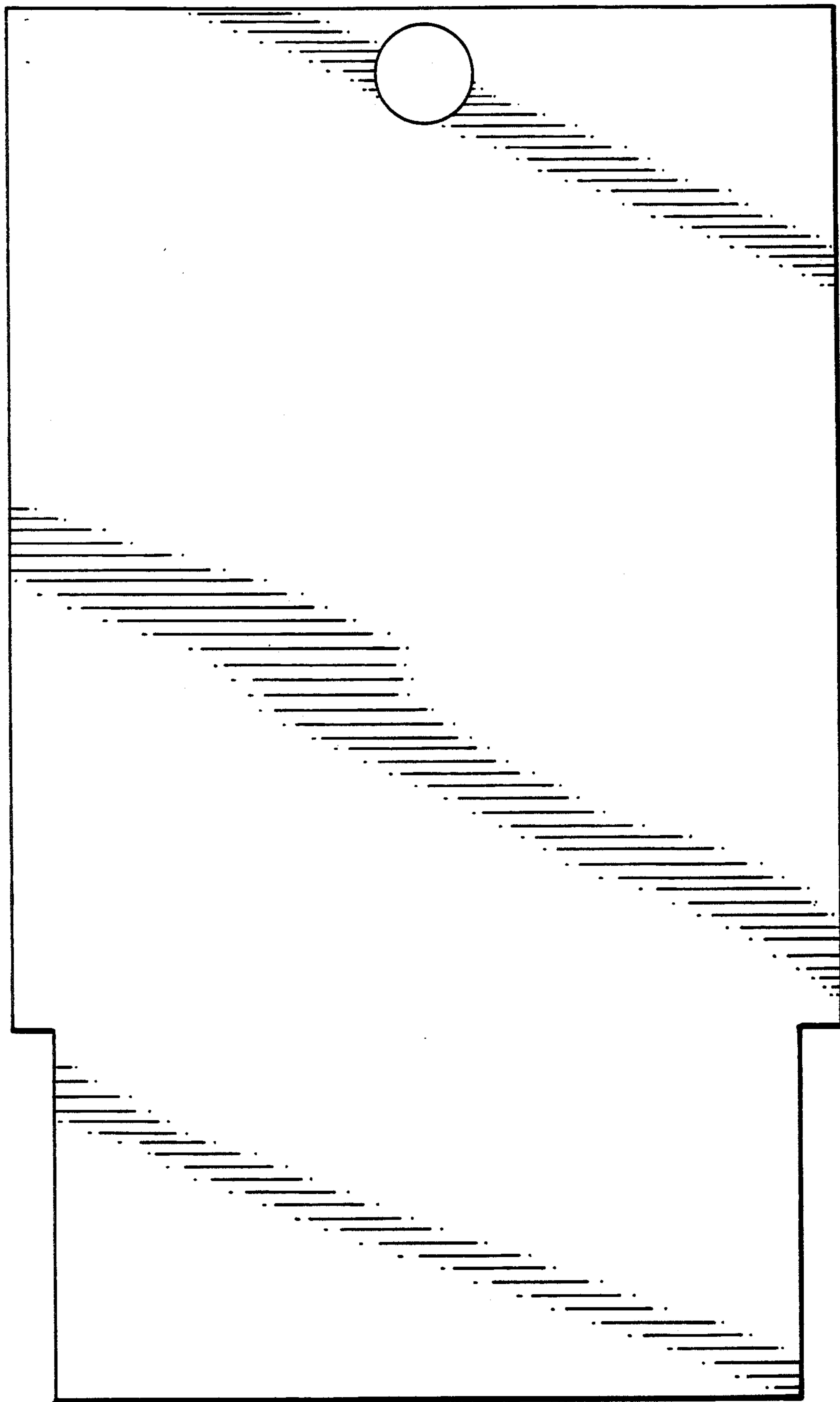


Fig. 2

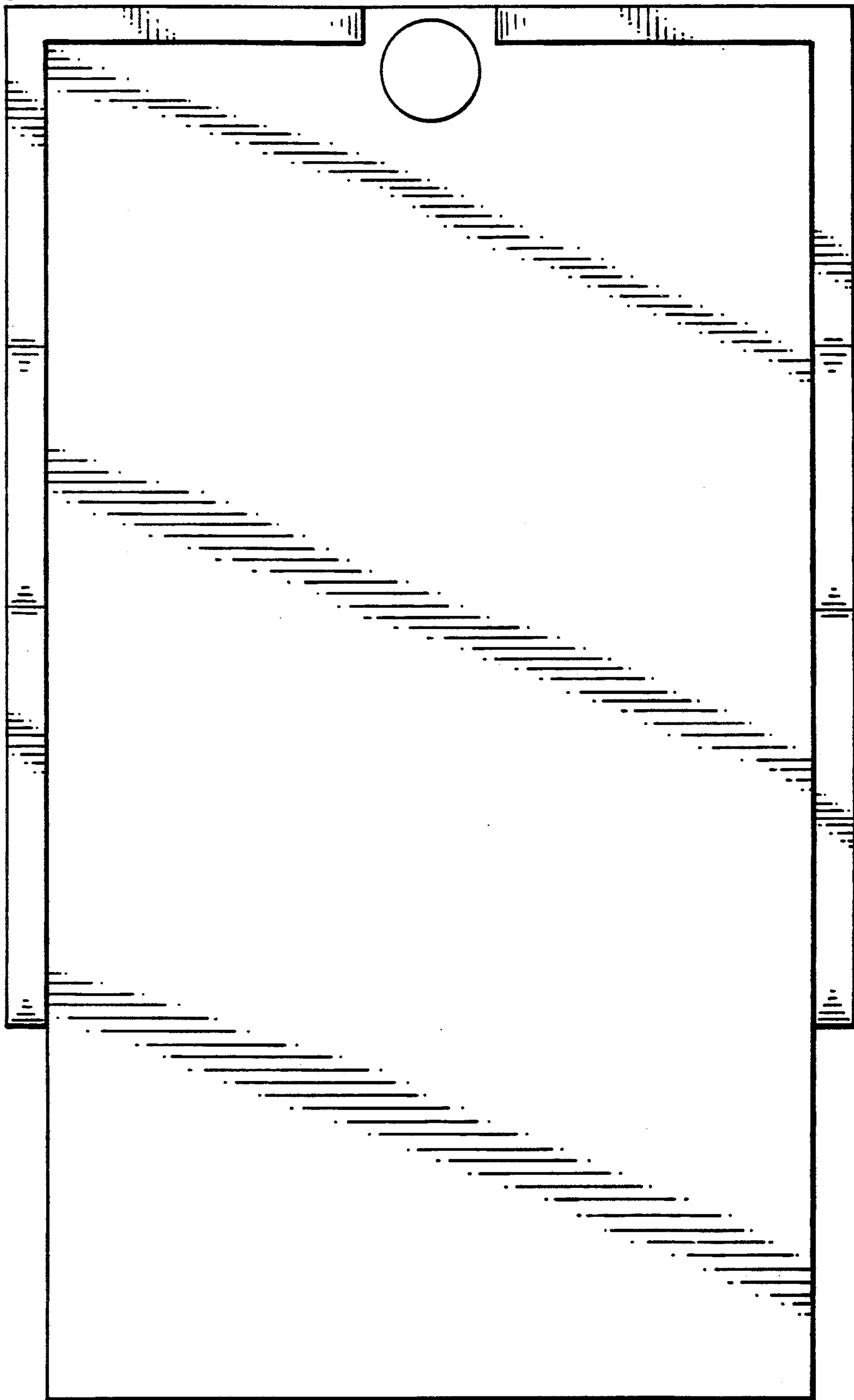


Fig. 3

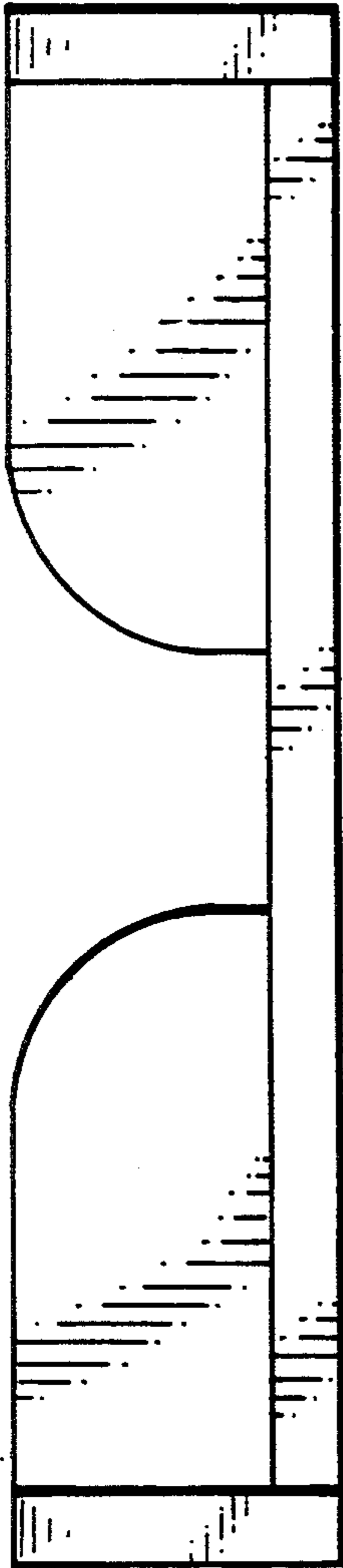


Fig. 4

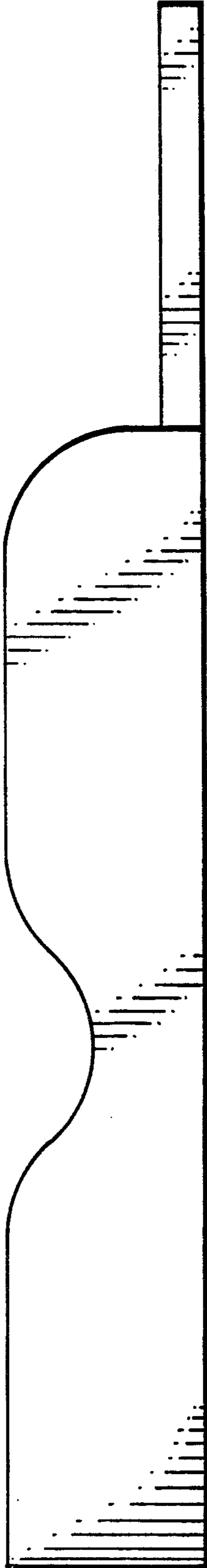


Fig. 5

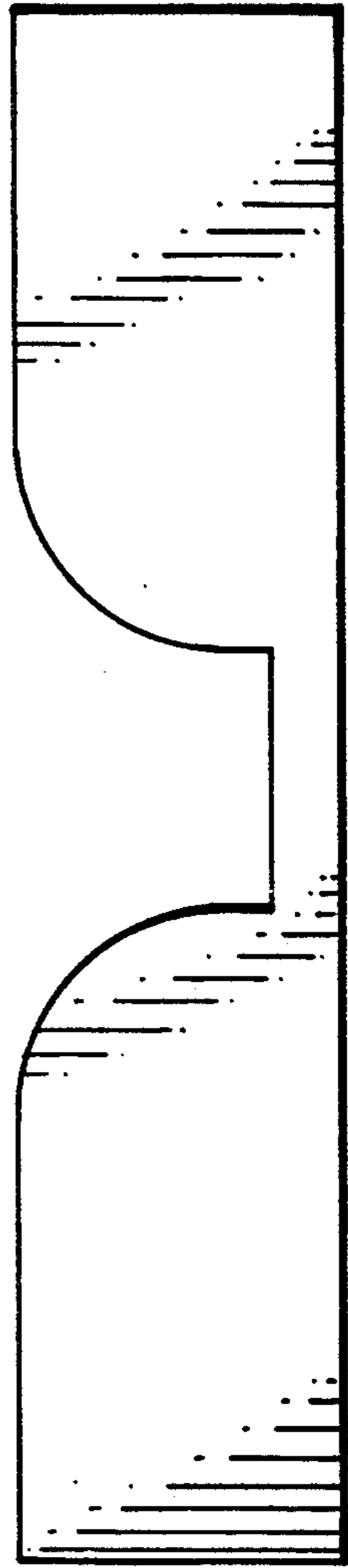


Fig. 6