



US00D326475S

# United States Patent [19]

[11] Patent Number: Des. 326,475

Alexander

[45] Date of Patent: \*\* May 26, 1992

[54] TAPE DISPENSER

[76] Inventor: Dave Alexander, 960 Saint John's Pl., Brooklyn, N.Y. 11213

[\*\*] Term: 14 Years

[21] Appl. No.: 770,305

[22] Filed: Oct. 2, 1991

|            |        |            |       |           |
|------------|--------|------------|-------|-----------|
| D. 295,424 | 4/1988 | Porter     | ..... | D19/67    |
| D. 309,474 | 7/1990 | Murai      | ..... | D19/67 X  |
| 1,223,372  | 4/1917 | Di Zerega  | ..... | D21/157 X |
| 1,266,106  | 5/1918 | Coup       | ..... | D21/157 X |
| 4,868,942  | 9/1989 | Kim et al. | ..... | D19/67 X  |

**Related U.S. Application Data**

[62] Division of Ser. No. 349,065, May 9, 1989, Pat. No. Des. 322,461.

[52] U.S. Cl. .... D19/69; D19/67; D19/65; D21/157

[58] Field of Search ..... D19/65, 67, 68, 69, D19/99, 100; D21/157; 225/6, 39, 44, 45, 56, 65, 77, 88, 89

**OTHER PUBLICATIONS**

Gentleman's Quarterly, Winter 1967-1968 p. 11 see Snail Tape Dispenser left center.

Gentle Giants, Holiday 1983, p. 31, see Whale Crayon holder, right center.

Gentle Giants, Holiday 1983, p. 19, see Whale Cribbage Board upper center.

Primary Examiner—Donald P. Walsh

Assistant Examiner—Martha Thompson

**CLAIM**

[57] The ornamental design for a tape dispenser, as shown and described.

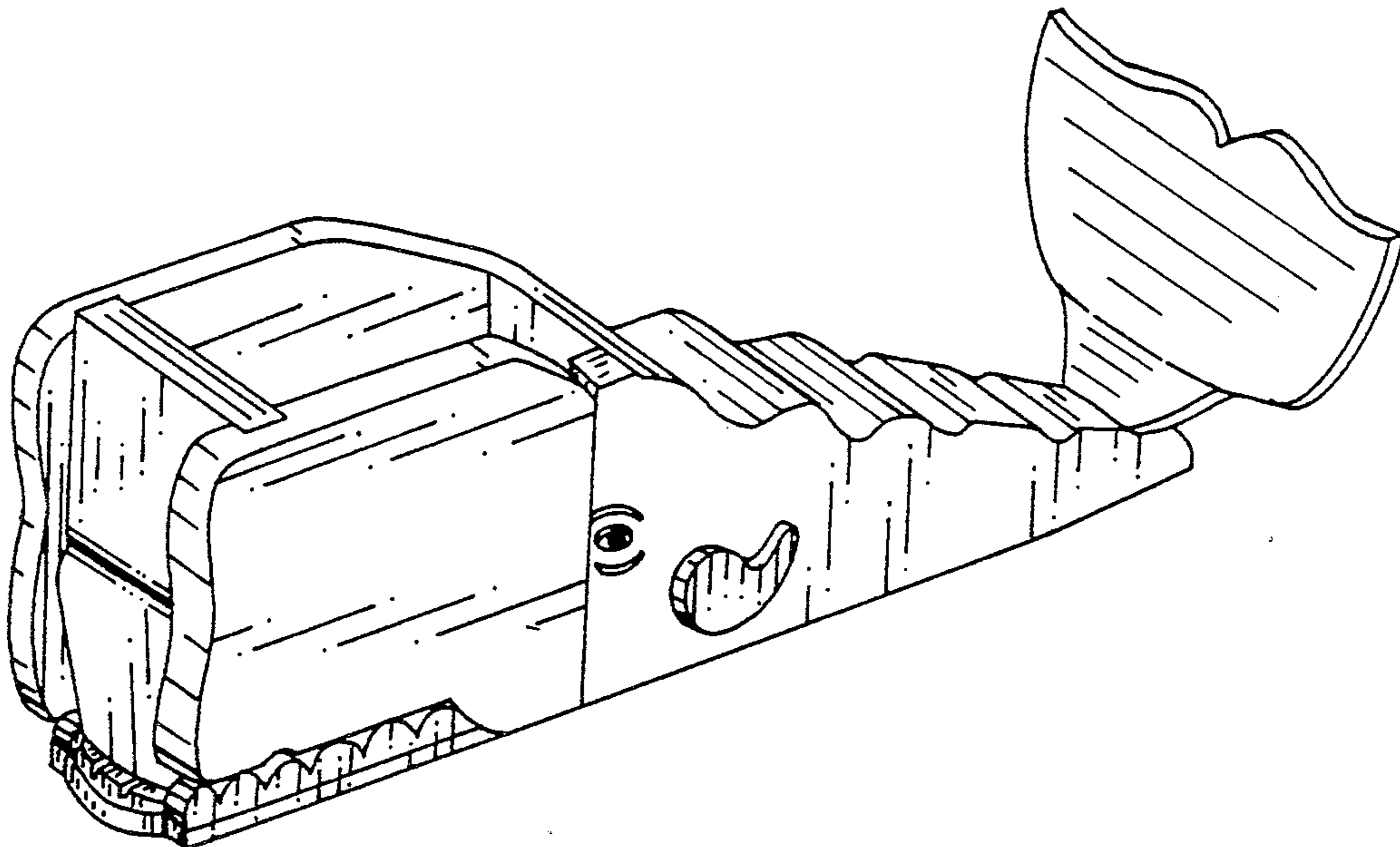
**References Cited**

**U.S. PATENT DOCUMENTS**

|            |         |        |       |           |
|------------|---------|--------|-------|-----------|
| D. 188,592 | 8/1960  | Arrix  | ..... | D21/157 X |
| D. 191,246 | 8/1961  | Belbow | ..... | D19/69    |
| D. 215,377 | 9/1969  | Miller | ..... | D19/69    |
| D. 240,999 | 8/1976  | Hall   | ..... | D21/157   |
| D. 242,762 | 12/1976 | Wolfe  | ..... | D21/161 X |

**DESCRIPTION**

FIG. 1 is a top, left front perspective view of a tape dispenser showing my new design; FIG. 2 is a rear elevational view thereof; FIG. 3 is a bottom plan view thereof; FIG. 4 is a right side elevational view thereof; and, FIG. 5 is a top plan view thereof.



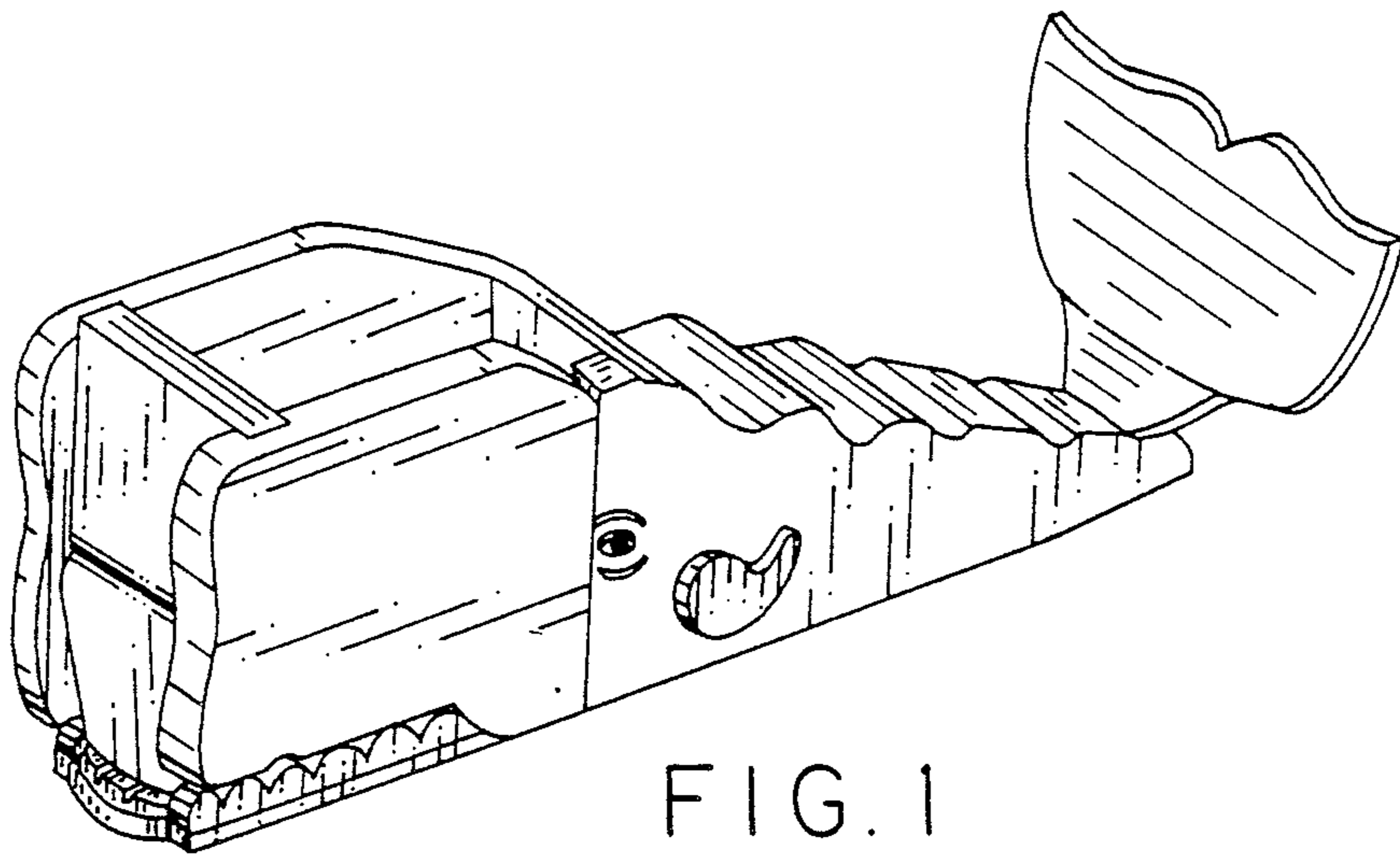


FIG. 1

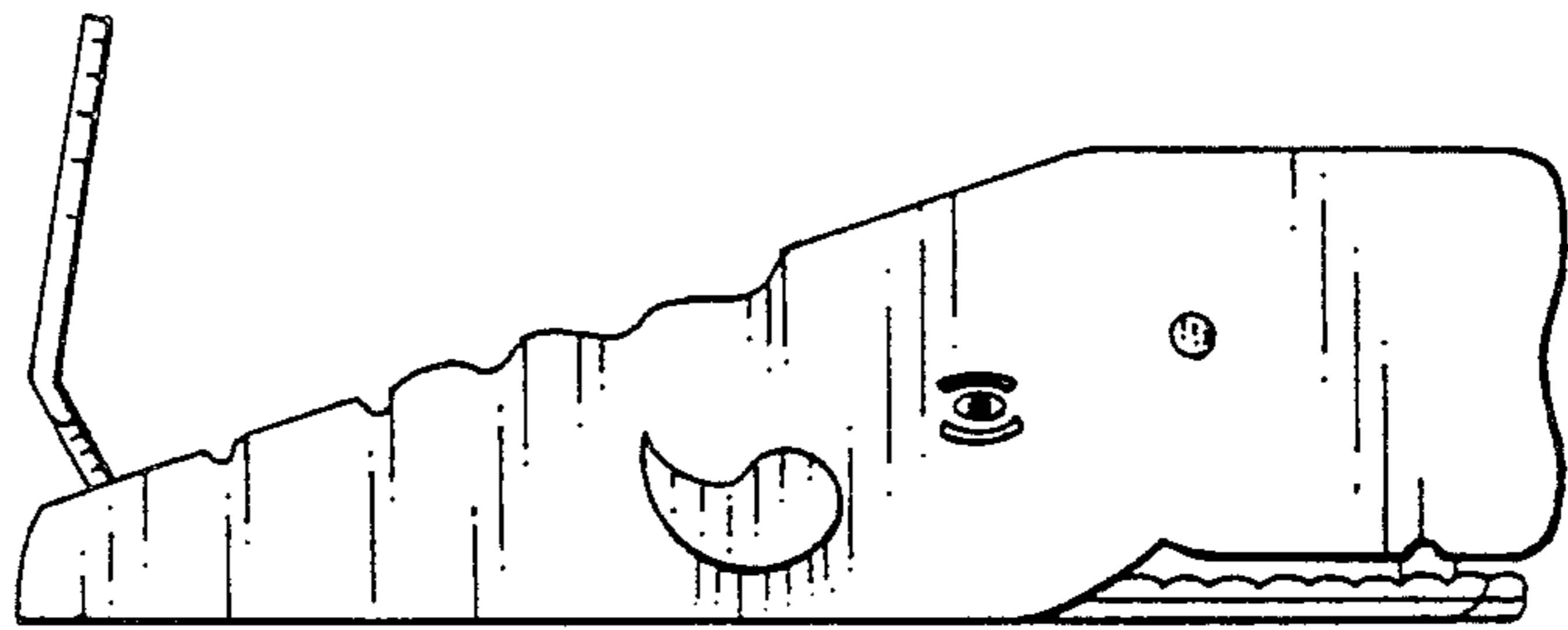


FIG. 2



FIG. 3

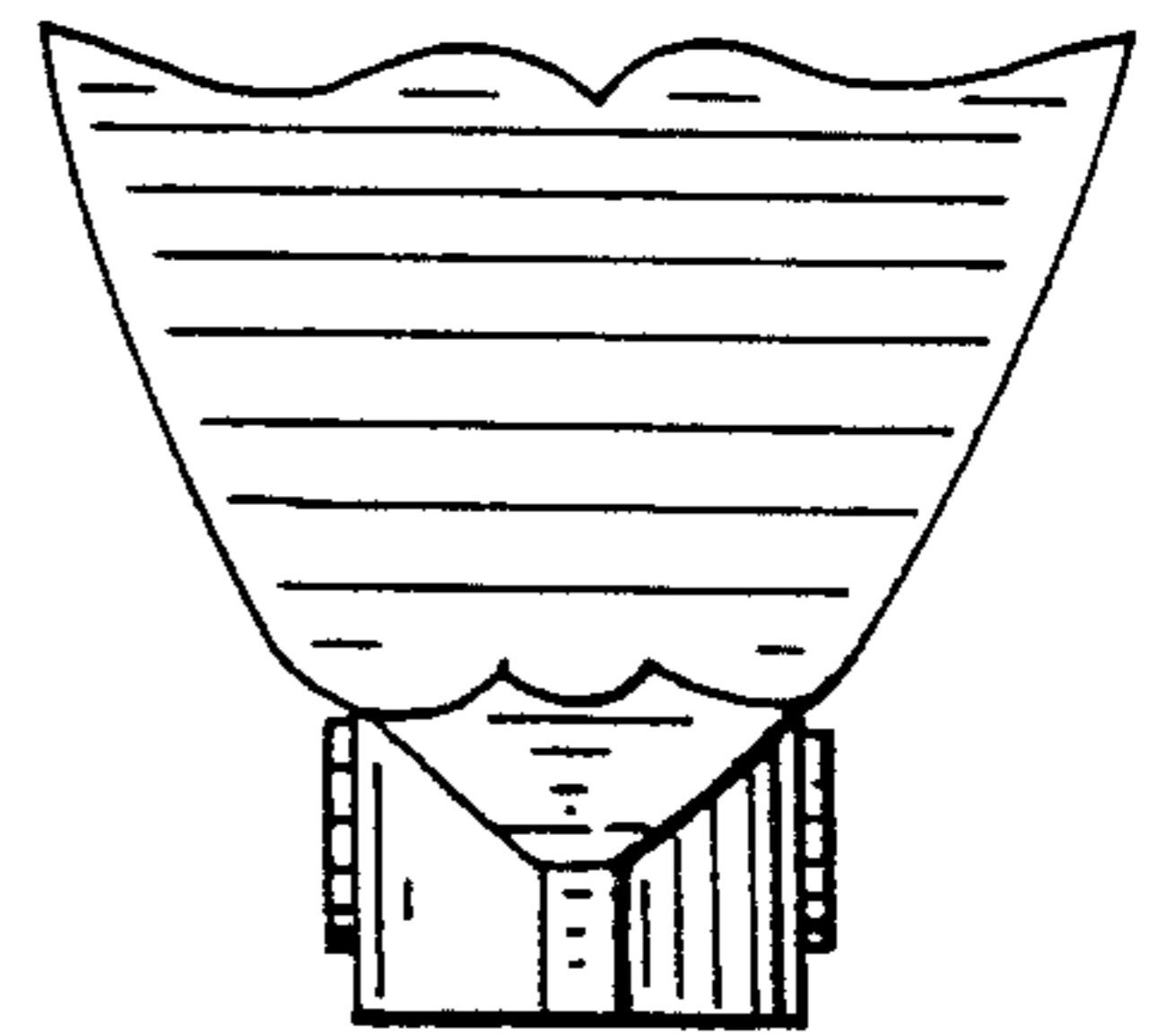


FIG. 4

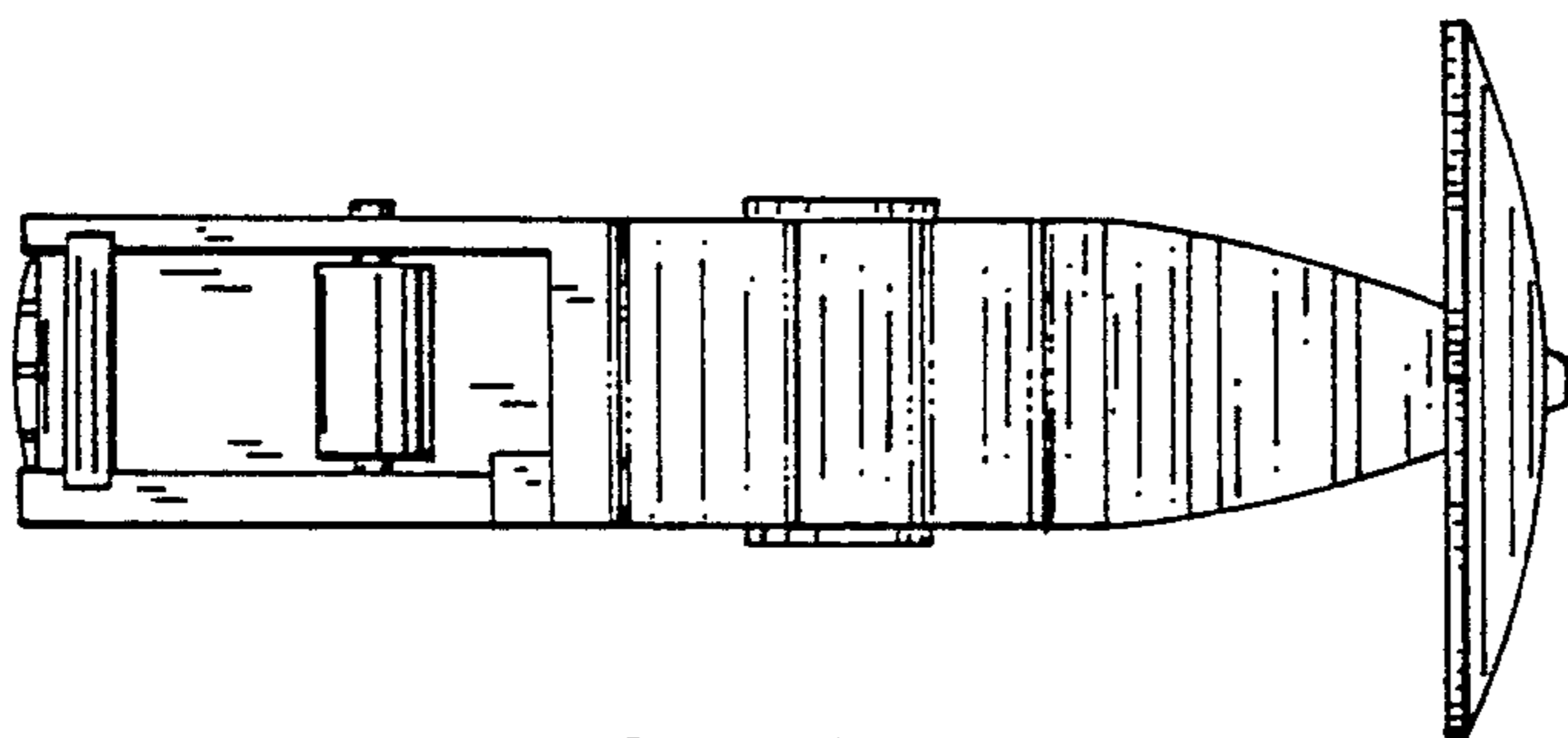


FIG. 5