



US00D326474S

# United States Patent [19]

[11] Patent Number: **Des. 326,474**

Luhman et al.

[45] Date of Patent: **\*\* May 26, 1992**

[54] **COMBINED HAND-HELD TAPE DISPENSER AND APPLICATOR**

[75] Inventors: **Robert A. Luhman, Deer Park, Wis.;  
Richard L. Patten, Minneapolis,  
Minn.**

[73] Assignee: **Minnesota Mining and  
Manufacturing Company, St. Paul,  
Minn.**

[\*\*] Term: **14 Years**

[21] Appl. No.: **523,935**

[22] Filed: **May 16, 1990**

[52] U.S. Cl. .... **D19/69; D19/67**

[58] Field of Search ..... **D19/67, 68, 69;  
156/510, 523, 527, 526, 384; 225/6, 19, 45, 56,  
65, 77, 89; 312/39**

[56] **References Cited**

**U.S. PATENT DOCUMENTS**

D. 166,944	6/1952	Beckman et al. ....	D19/69 X
D. 200,347	2/1965	Bower et al. ....	D19/69 X
D. 241,244	8/1976	Archer et al. ....	D19/69
D. 280,738	9/1985	Grassi ....	D19/68
D. 298,339	11/1988	Eisenberg et al. ....	D19/67
D. 298,440	11/1988	Kida ....	D19/69
D. 310,687	9/1990	Berracasa ....	D19/69

D. 319,664	9/1991	De Lucchi .....	D19/69
2,486,470	11/1949	Fritzinger .....	156/527
3,666,601	5/1972	Wuerch .....	156/527
4,238,271	12/1980	Urushizaki .....	156/523
4,345,966	8/1982	Iiyama et al. ....	156/523
4,486,263	12/1984	Gomez .....	156/523
4,792,375	12/1988	Lin .....	156/510
4,872,586	8/1988	Wilkie .....	156/527

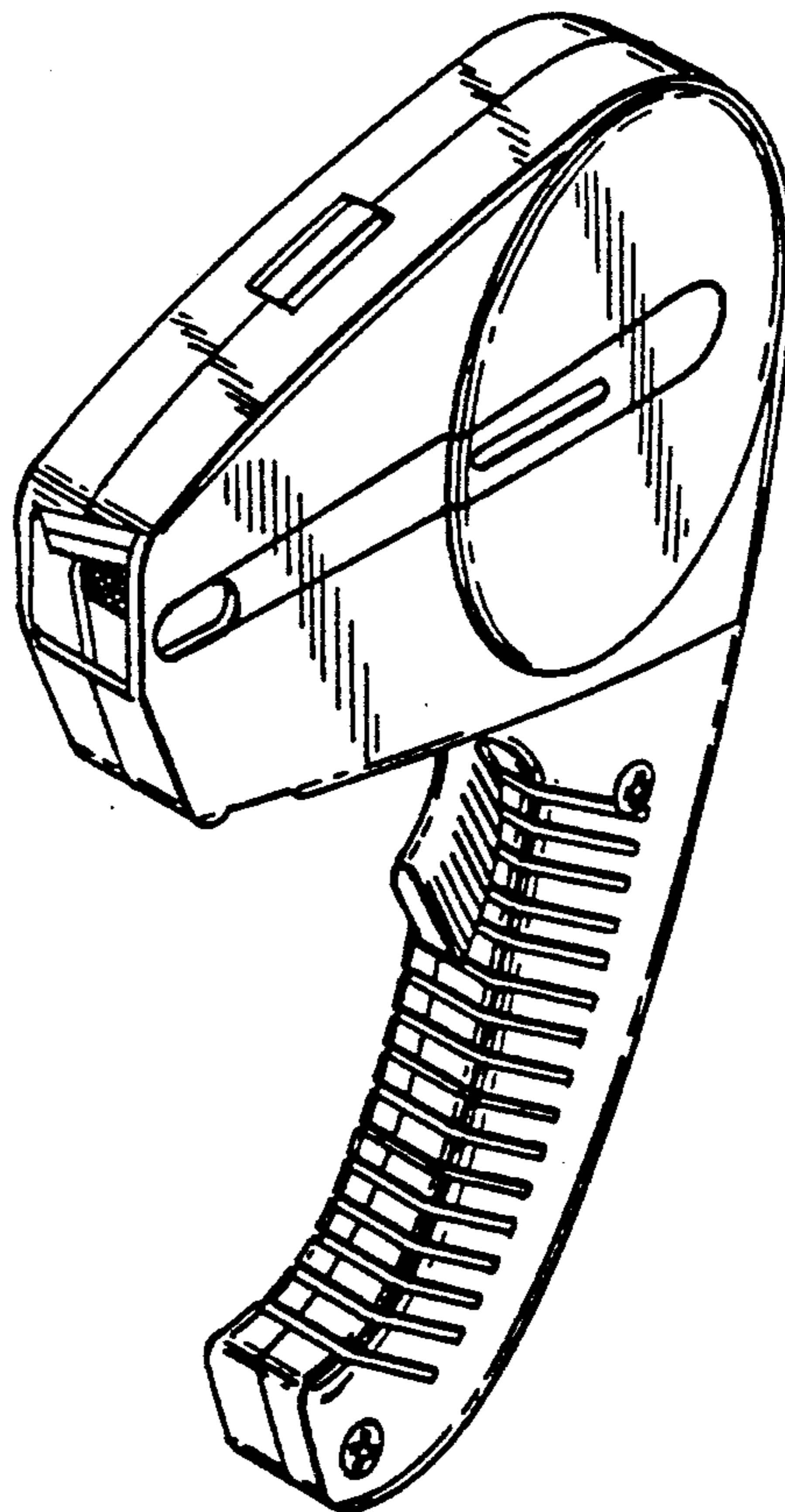
*Primary Examiner*—Donald P. Walsh  
*Assistant Examiner*—Martha Thompson  
*Attorney, Agent, or Firm*—Gary L. Griswold; Walter N. Kirn; Charles D. Levine

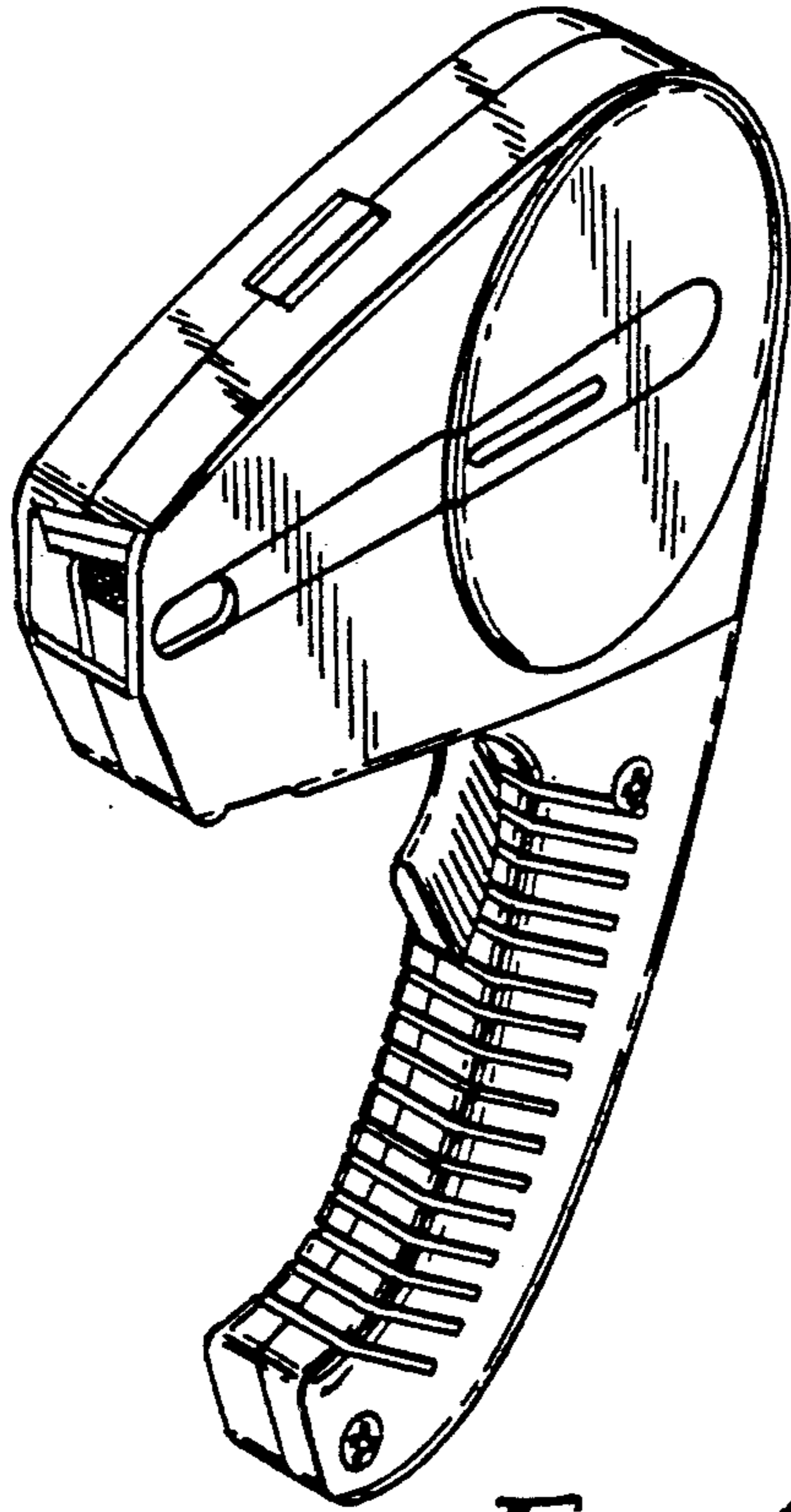
[57] **CLAIM**

The ornamental design for a combined hand-held tape dispenser and applicator, as shown and described.

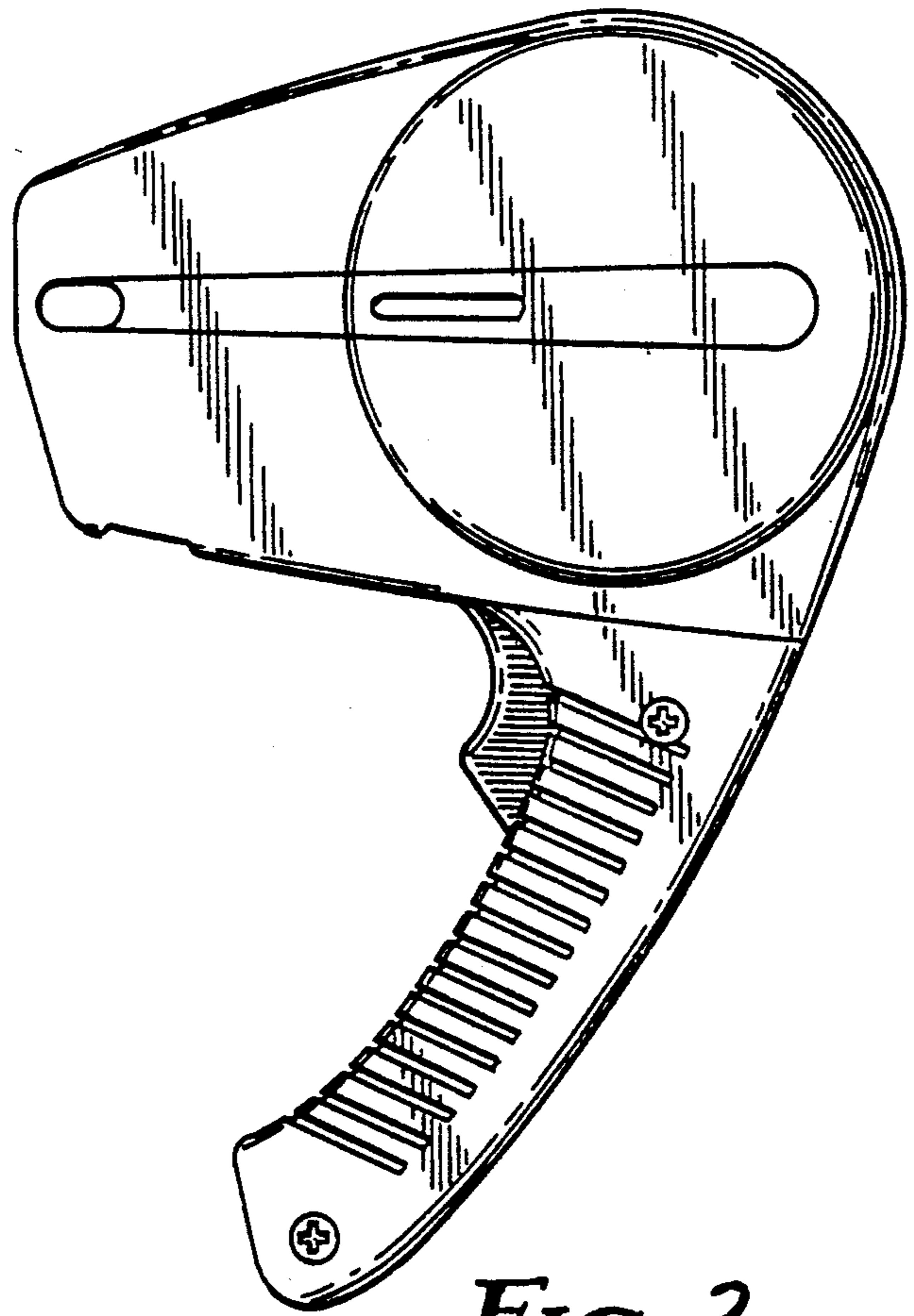
**DESCRIPTION**

FIG. 1 is a top, right front perspective view of a combined hand-held tape dispenser and applicator showing our new design;  
FIG. 2 is a right side elevational view thereof;  
FIG. 3 is a left side elevational view thereof;  
FIG. 4 is a front elevational view thereof;  
FIG. 5 is a rear elevational view thereof;  
FIG. 6 is a top plan view thereof; and,  
FIG. 7 is a bottom plan view thereof.  
FIG. 1 has been drawn to a reduced scale with respect to FIGS. 2 through 7.

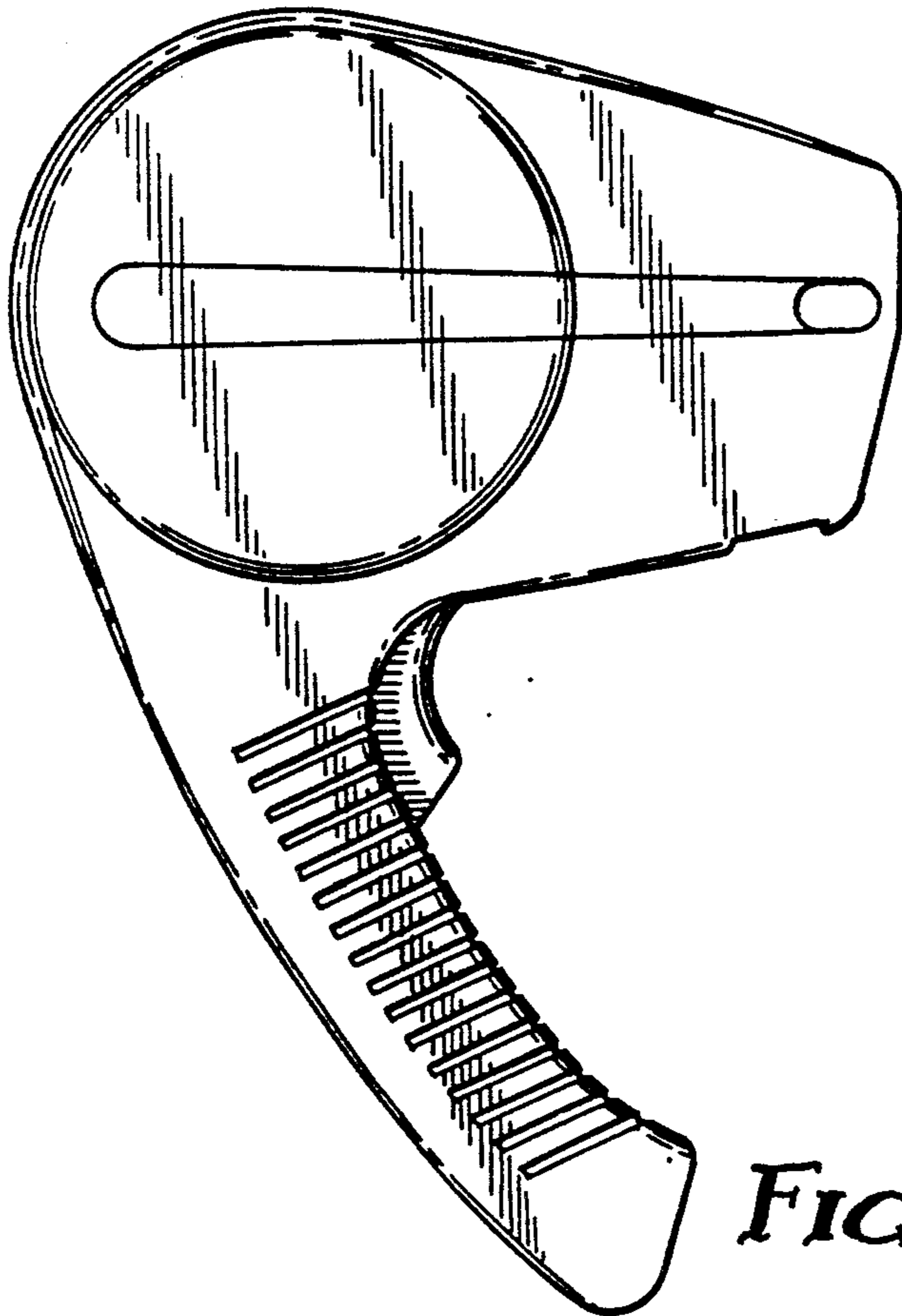




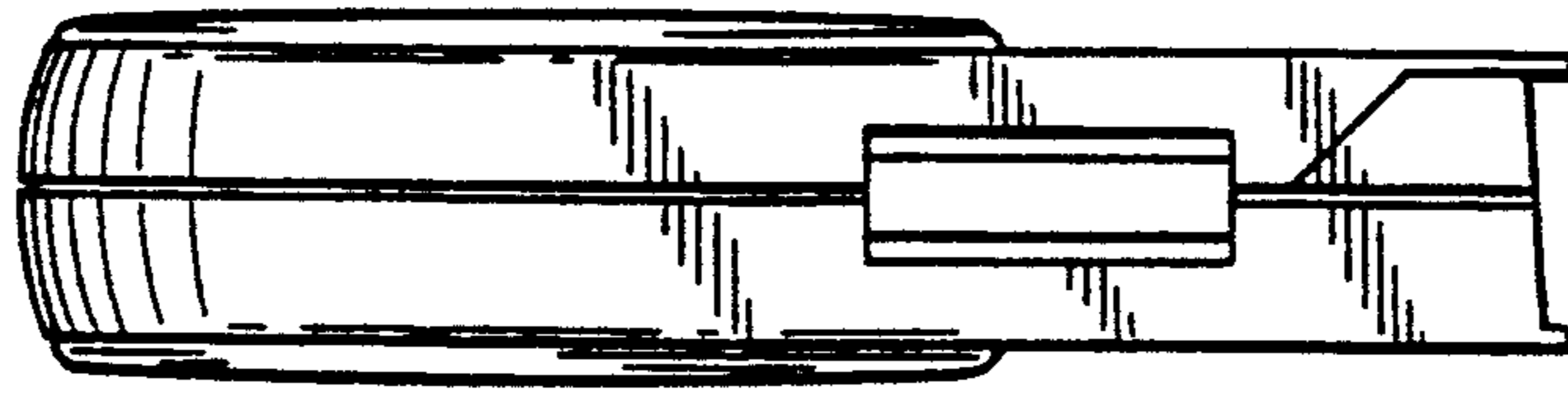
*FIG. 1*



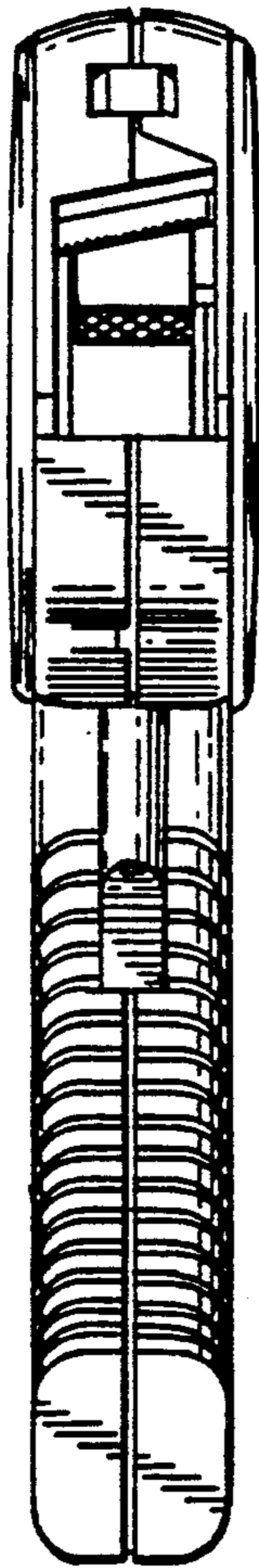
*FIG. 2*



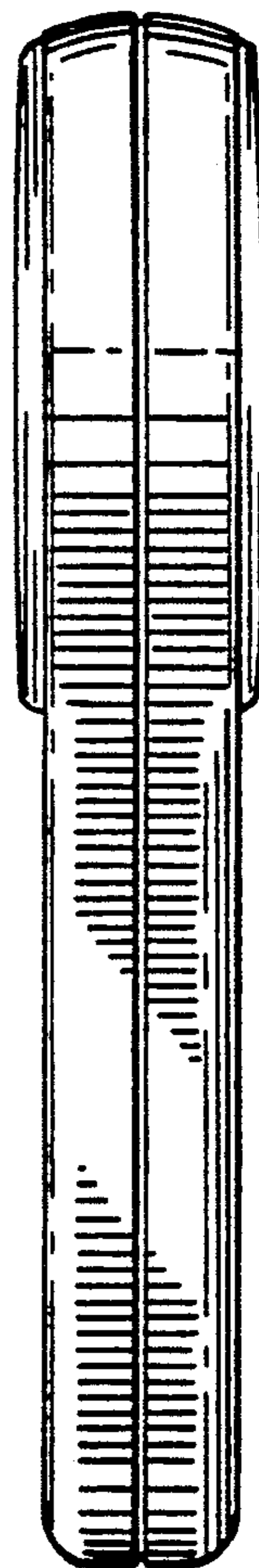
*FIG. 3*



*FIG. 6*



*FIG. 4*



*FIG. 5*



*FIG. 7*