



US00D326473S

United States Patent [19]

[11] Patent Number: Des. 326,473

Kishi et al.

[45] Date of Patent: ** May 26, 1992

- [54] **PRINTER FOR A COMPUTER** 5928017 12/1986 Japan D18/55
- [75] Inventors: **Katsumi Kishi, Kawasaki; Shigeru Sato, Yokohama, both of Japan** 5941889 12/1986 Japan D18/55
- [73] Assignee: **Tokyo Electric Co., Ltd., Tokyo, Japan** 6135358 7/1988 Japan D18/55
- [**] Term: **14 Years** 6014682 1/1989 Japan D18/55
- [21] Appl. No.: **615,483**
- [22] Filed: **Nov. 19, 1990**
- [30] **Foreign Application Priority Data**
- May 17, 1990 [JP] Japan 2-16603
- [52] **U.S. Cl.** **D18/55**
- [58] **Field of Search** 101/9, 18, 21, 28-29, 101/41-42, 130, 287, 316, 420; 400/691-694, 613.1-613.4, 613, 624; D18/50, 53-55, 36, 37; D14/110

- [56] **References Cited**
- U.S. PATENT DOCUMENTS**
- D. 197,539 2/1964 Knowles D18/55
- D. 281,256 11/1985 Yamamoto D18/37
- D. 284,006 5/1986 Freijd D18/55
- D. 291,095 7/1987 Morozumi et al. D18/55
- D. 293,247 12/1987 Nakade D18/55
- D. 305,774 1/1990 Yomo D18/55
- D. 306,744 3/1990 Yano D18/55
- D. 306,764 5/1990 Kojima D18/55
- D. 308,219 5/1990 Yoshida D18/55
- D. 308,695 6/1990 Eto et al. D18/55

- FOREIGN PATENT DOCUMENTS**
- 5846345 8/1985 Japan D18/55

OTHER PUBLICATIONS

Genicom 5010 Laser Printer brochure; p 5.
Cannon LBP-8II Laser Beam Printer brochure; 1987; cover page.

Primary Examiner—A. Hugo Word
Assistant Examiner—CathyAnne MacCormac
Attorney, Agent, or Firm—Oblon, Spivak, McClelland, Maier & Neustadt

[57] CLAIM

The ornamental design for a printer for a computer, as shown and described.

DESCRIPTION

FIG. 1 is a top, front and left perspective view of a printer for a computer showing our new design; FIG. 2 is a front elevational view thereof with the paper tray removed; FIG. 3 is a rear elevational view thereof; FIG. 4 is a top plan view thereof with the paper tray removed; FIG. 5 is a bottom plan view thereof with the paper tray removed; FIG. 6 is a right elevational view thereof with the paper tray removed; FIG. 7 is a left elevational view thereof with the paper tray removed; and, FIG. 8 is a sectional view thereof taken along line A—A of FIG. 2.

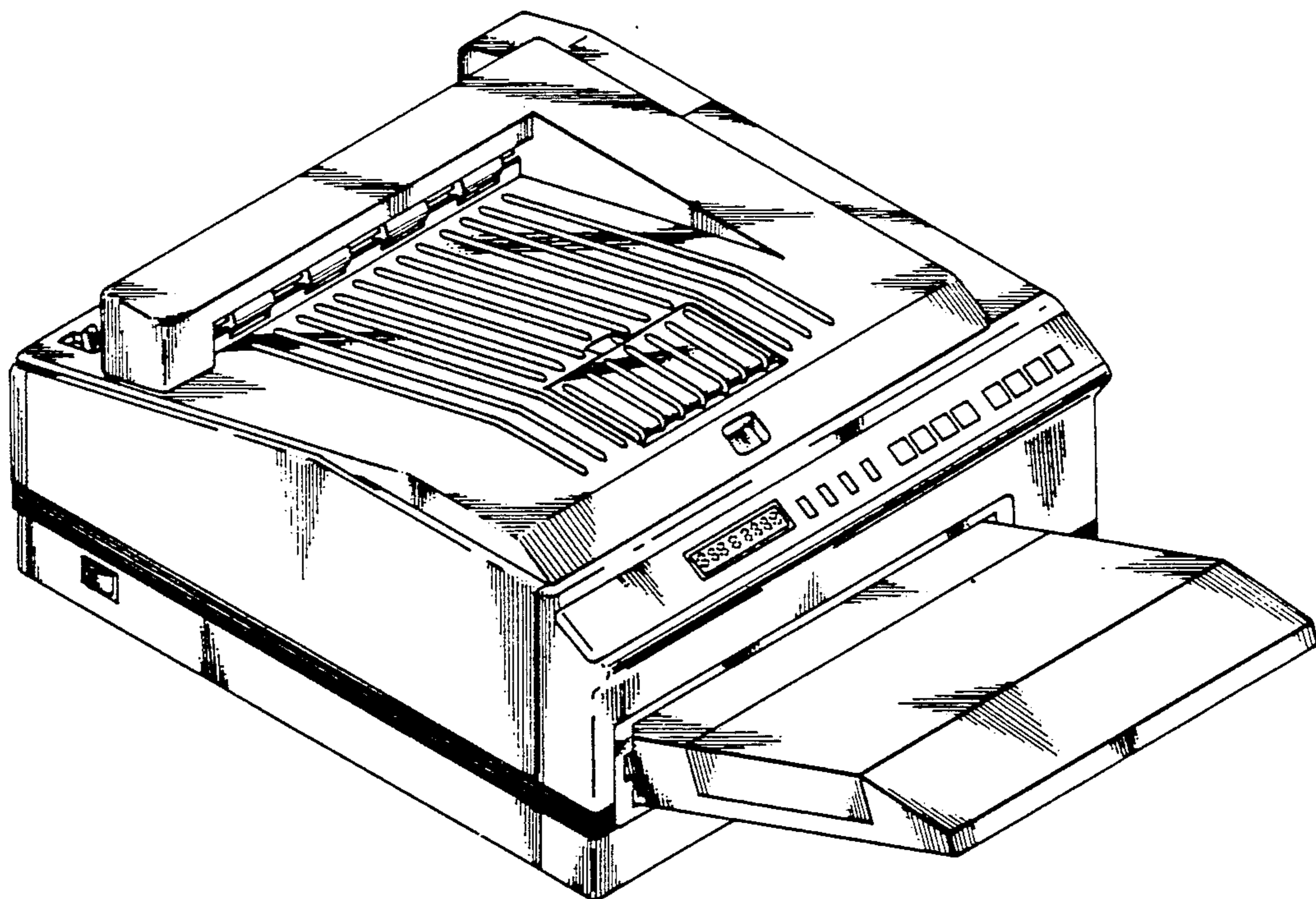


FIG. 1

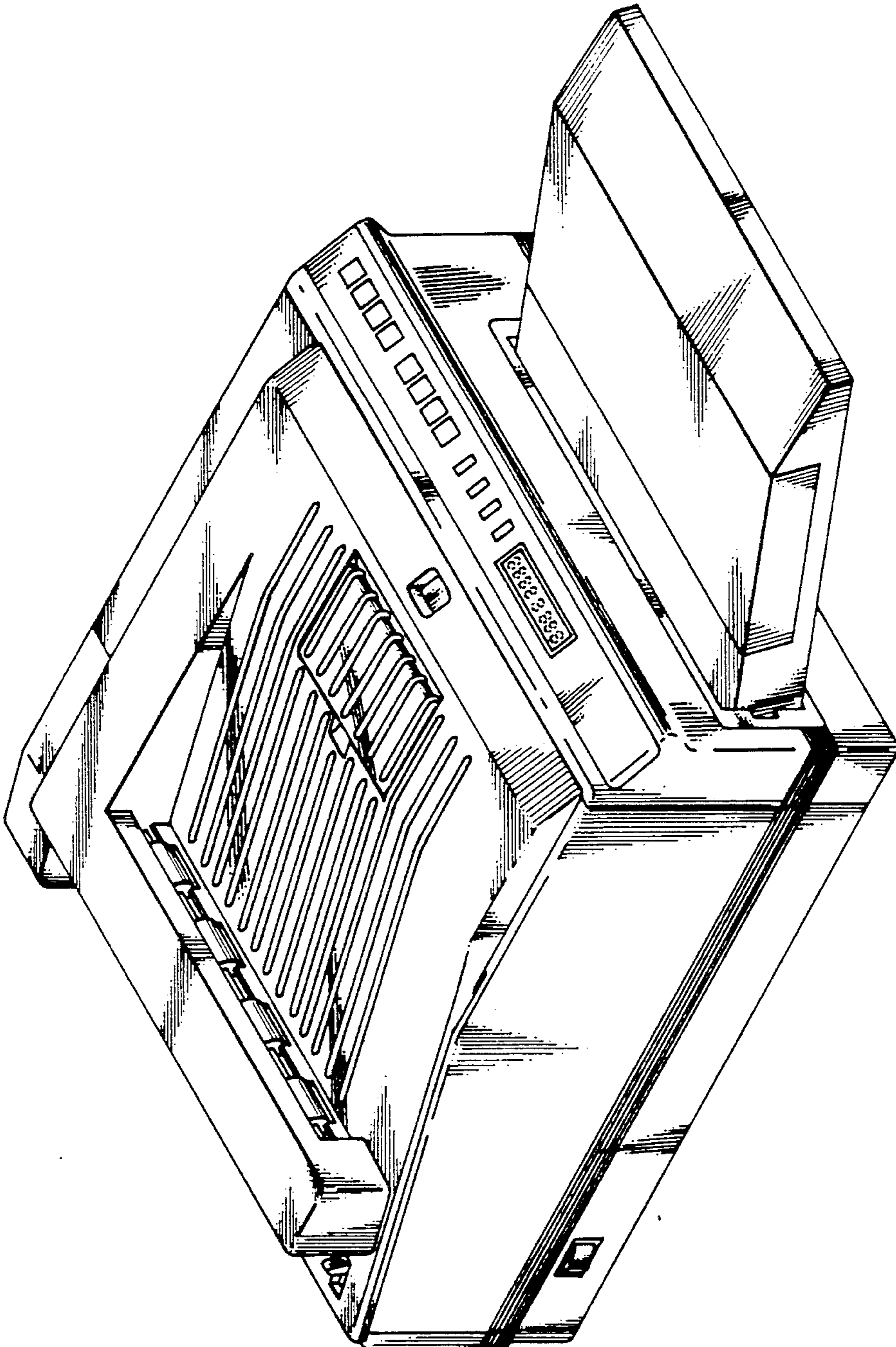


FIG. 2

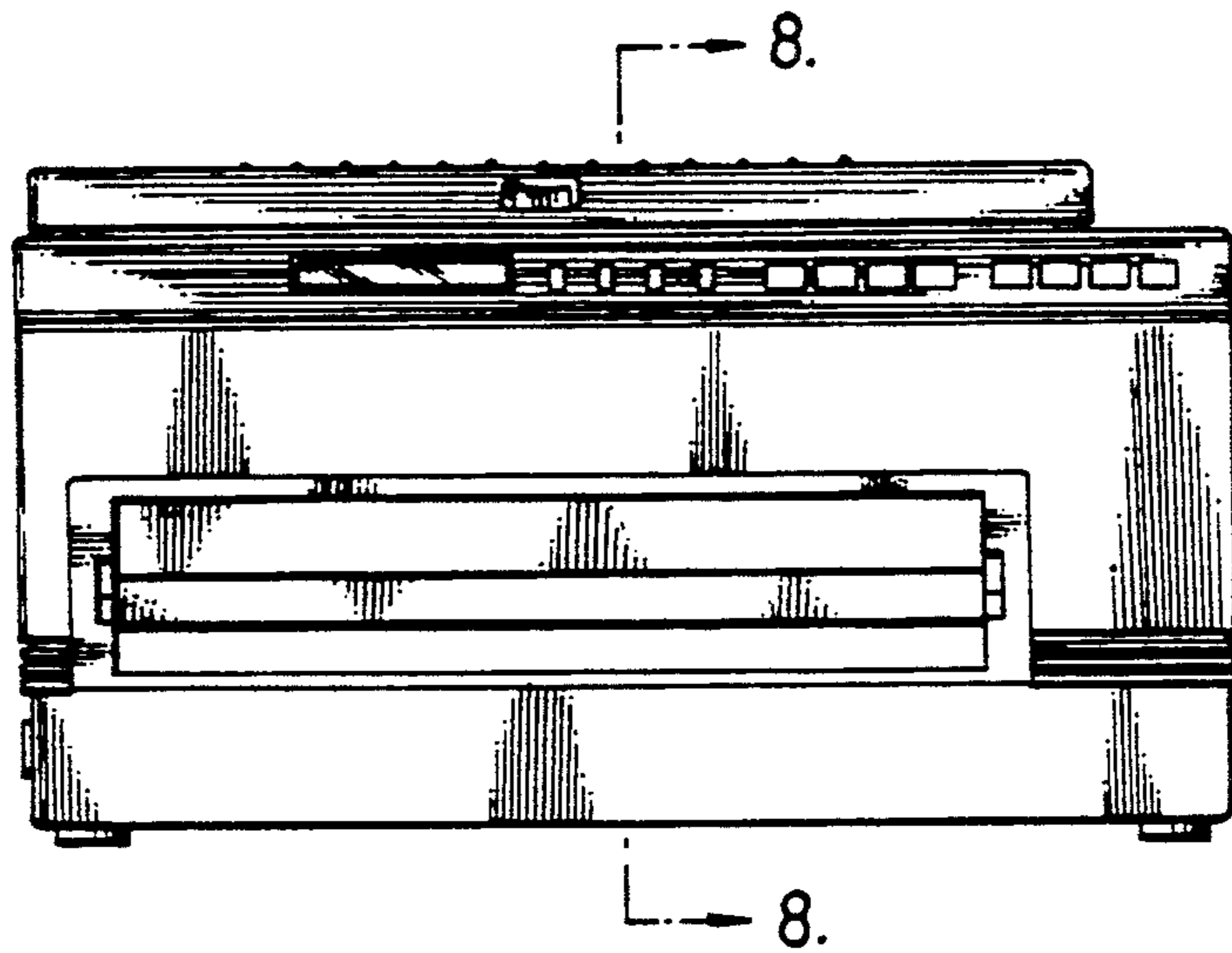


FIG. 3

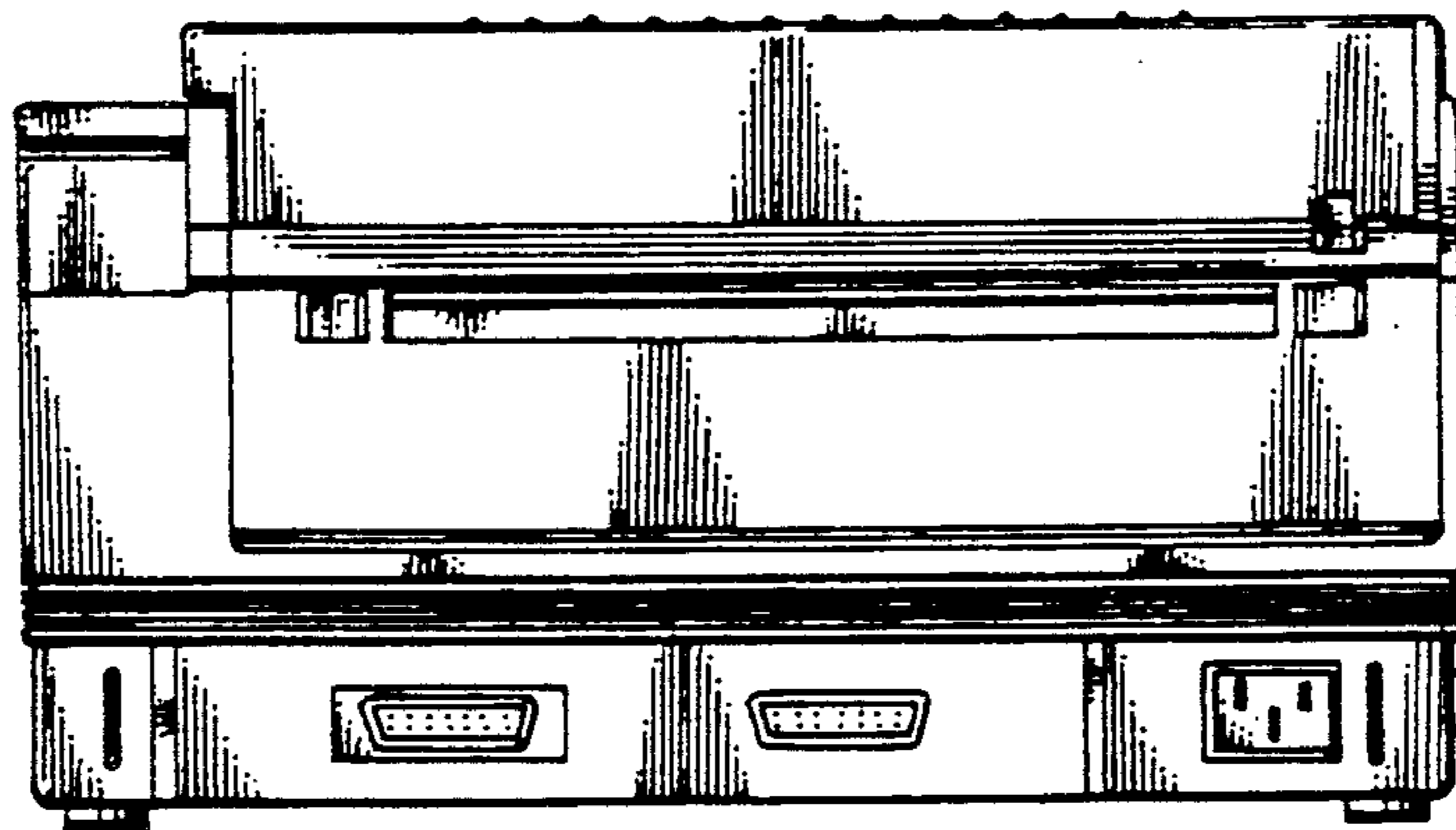


FIG. 4

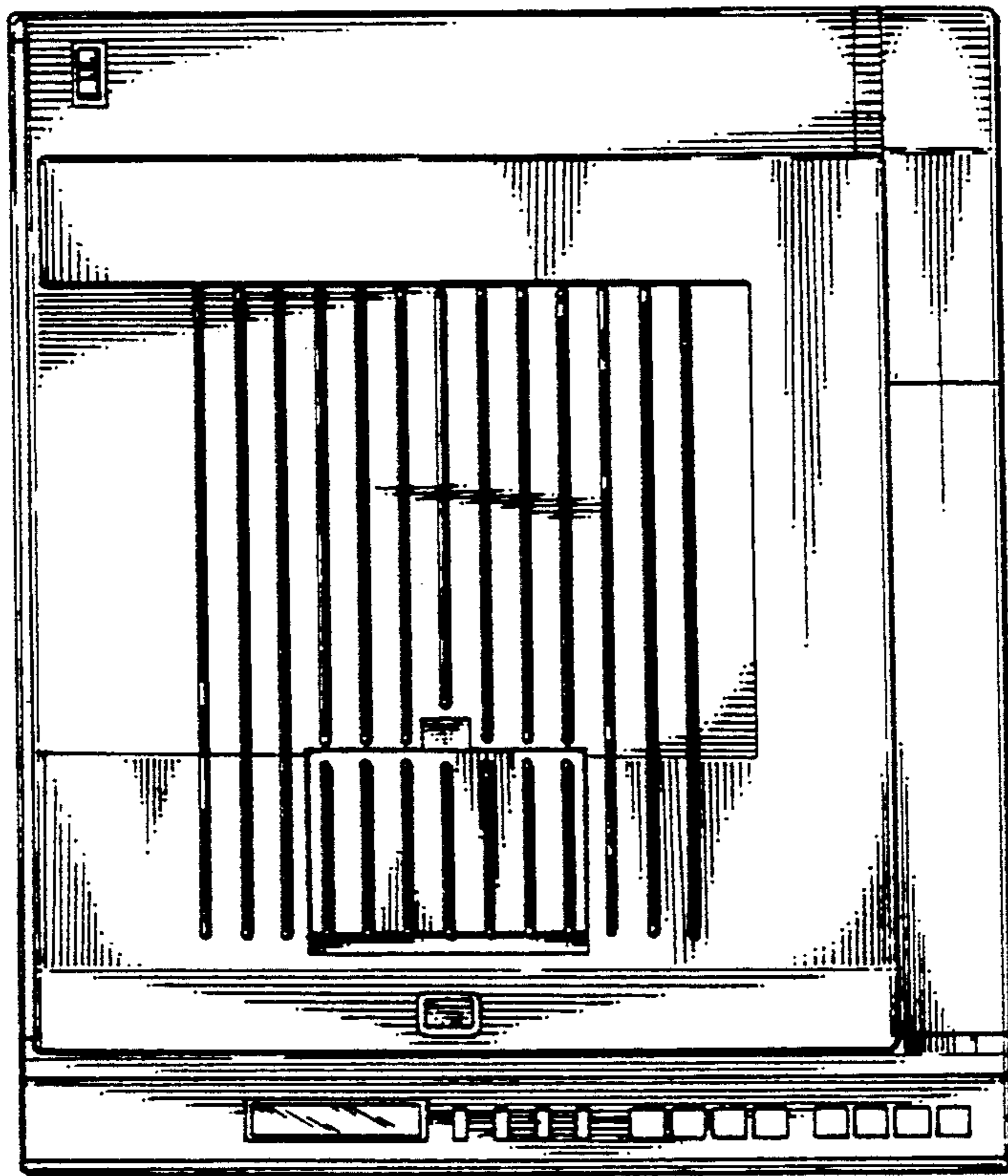


FIG. 5

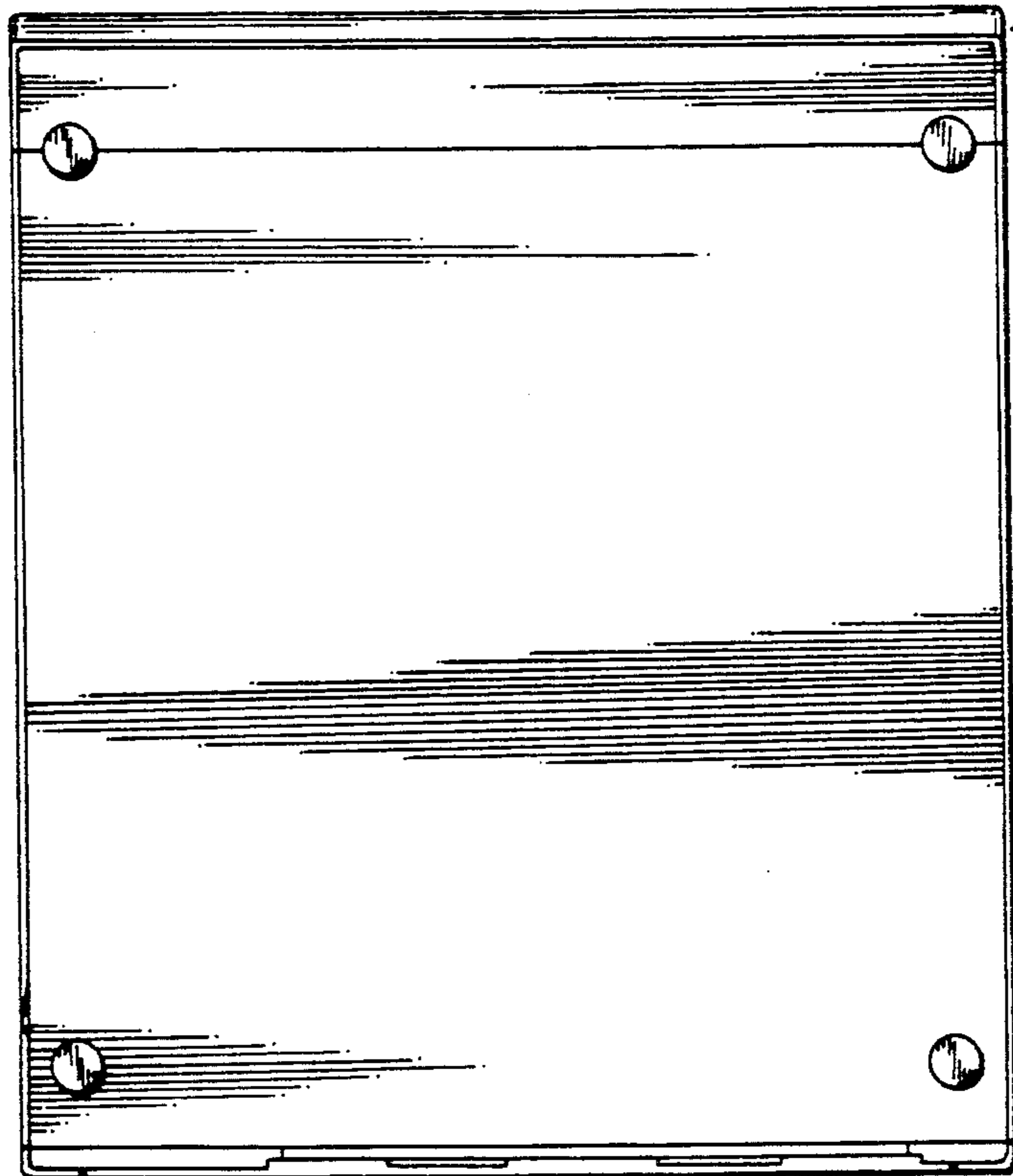


FIG. 6

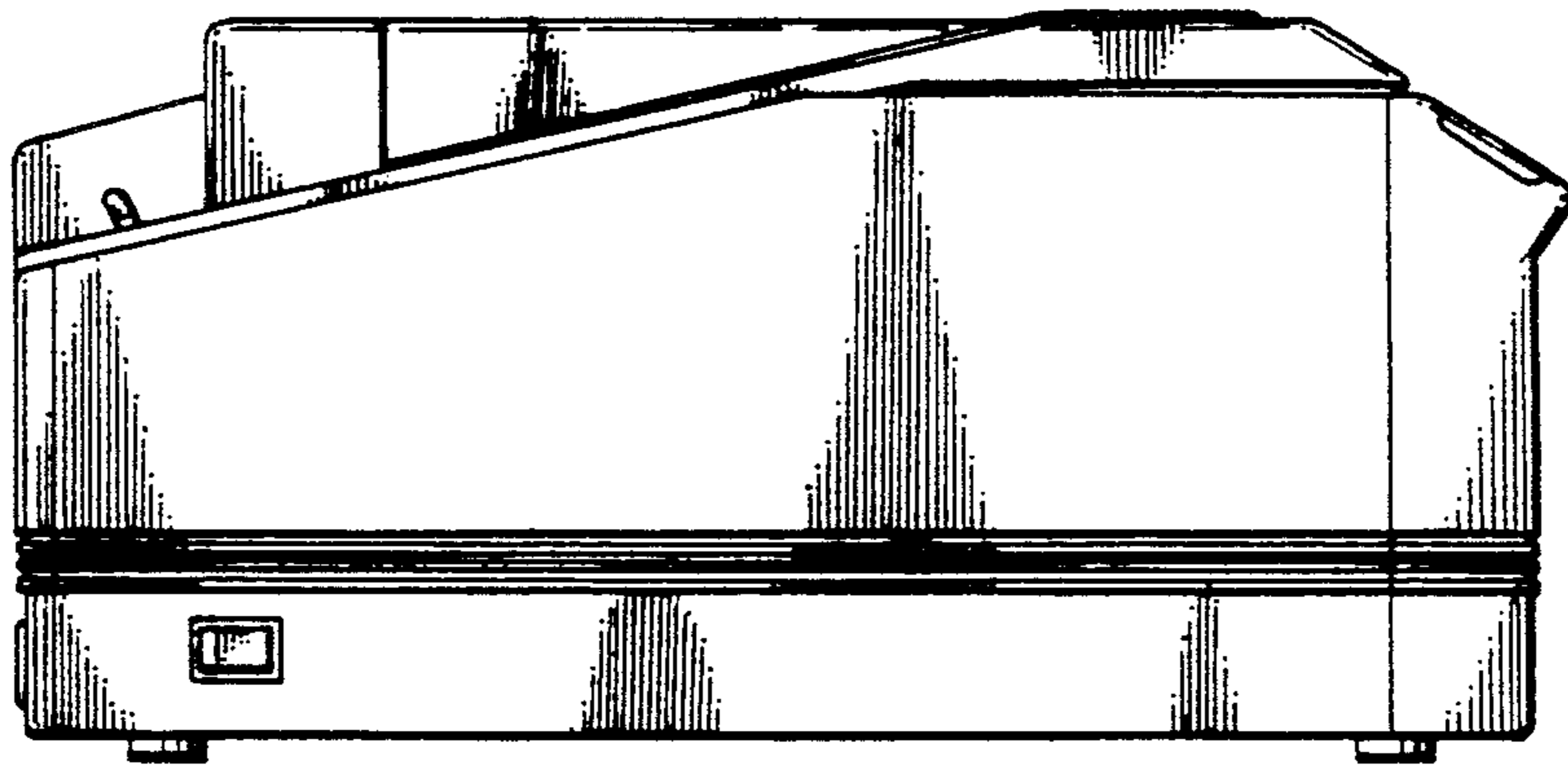


FIG. 7

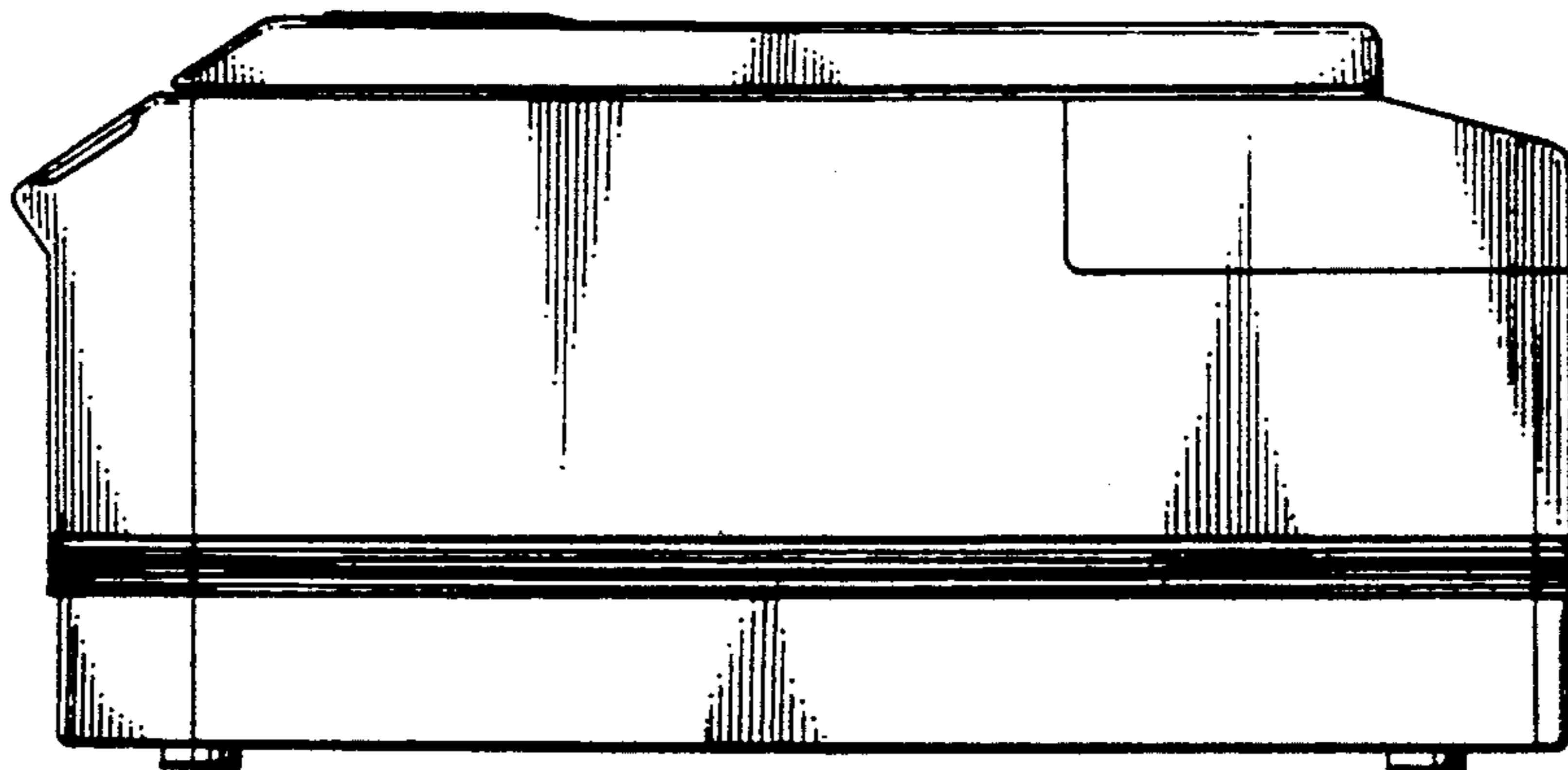


FIG. 8

