



US00D326472S

United States Patent [19] Chung

[11] Patent Number: **Des. 326,472**
[45] Date of Patent: **** May 26, 1992**

[54] **PRINTING MACHINE**

[76] Inventor: **Ng H. Chung**, 20/F., Block C,
Boardway Street, Mei Fu Sun
Chuen, Kowloon, Hong Kong

[**] Term: **14 Years**

[21] Appl. No.: **221,978**

[22] Filed: **Jul. 20, 1988**

[30] **Foreign Application Priority Data**

Jan. 30, 1988 [GB] United Kingdom 1048142

[52] U.S. Cl. **D18/14; D18/50**

[58] Field of Search D18/13, 14, 29, 99;
D14/111; 101/130, 132.5, 155, 141, 147

[56] **References Cited**

U.S. PATENT DOCUMENTS

D. 171,456 2/1954 Mitchell D18/13
D. 243,416 2/1977 Shimizu et al. D18/13

D. 251,692 4/1979 Hiraishi et al. D18/13
D. 265,210 6/1982 Hiraishi et al. D18/13

Primary Examiner—A. Hugo Word
Assistant Examiner—R. T. Seifert
Attorney, Agent, or Firm—Armstrong, Nikaido,
Marmelstein, Kubovcik & Murray

[57] **CLAIM**

The ornamental design for a printing machine, as shown.

DESCRIPTION

FIG. 1 is a left side perspective view of a printing machine showing my new design;
FIG. 2 is a right side perspective view;
FIG. 3 is a front elevational view;
FIG. 4 is a left side elevational view thereof;
FIG. 5 is a right side elevational view;
FIG. 6 is a rear elevational view; and,
FIG. 7 is a top plan view.

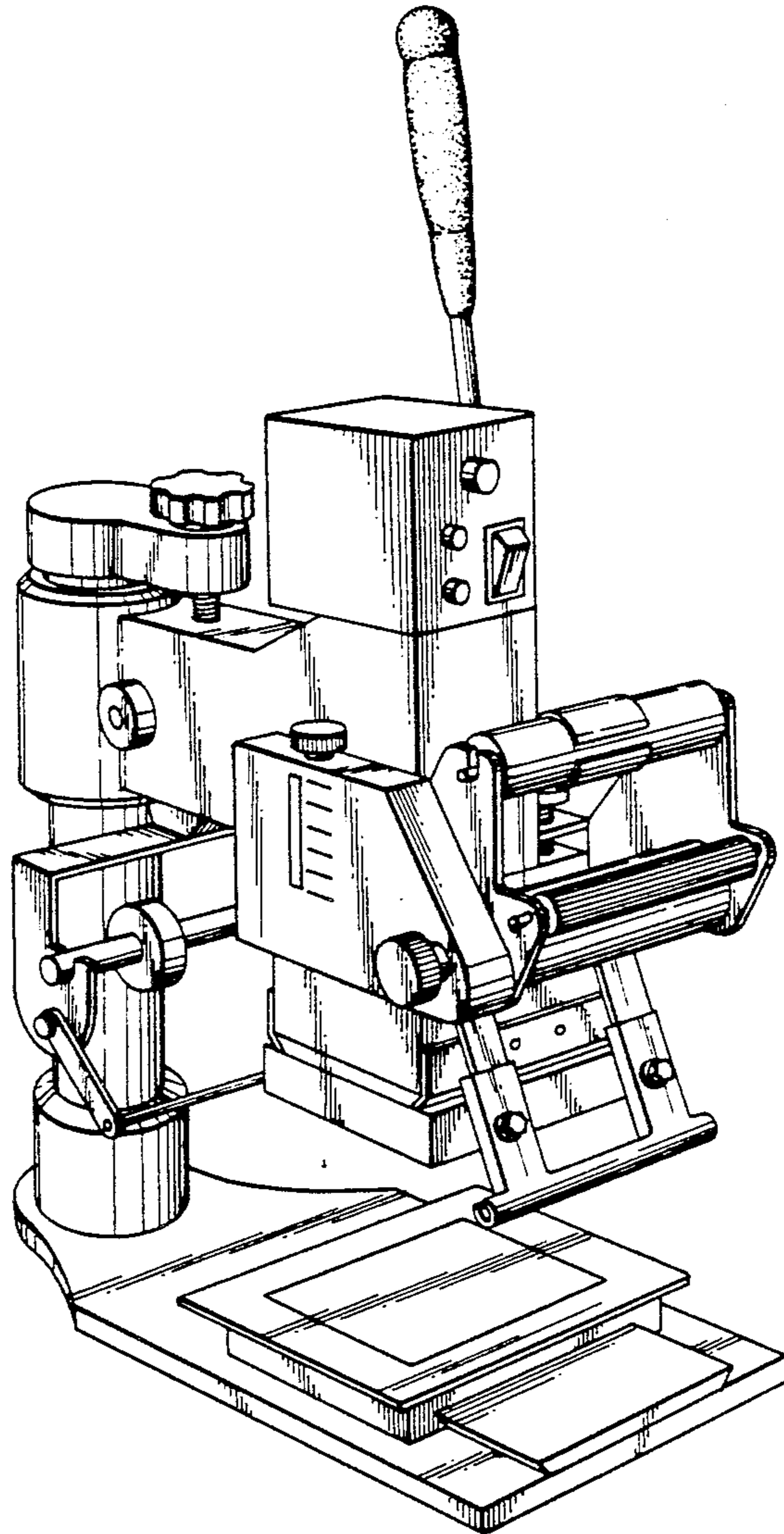


FIG. 1

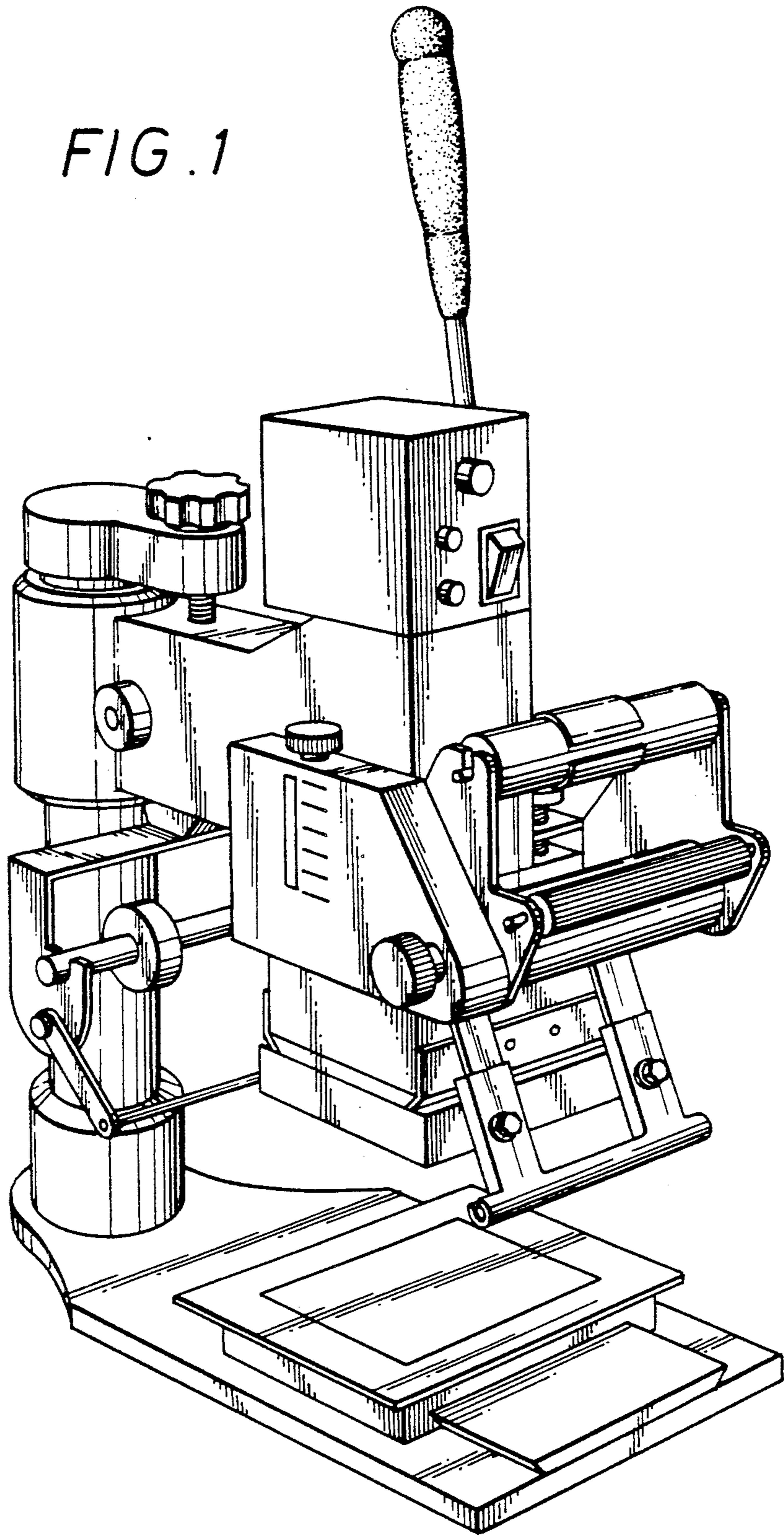


FIG. 2

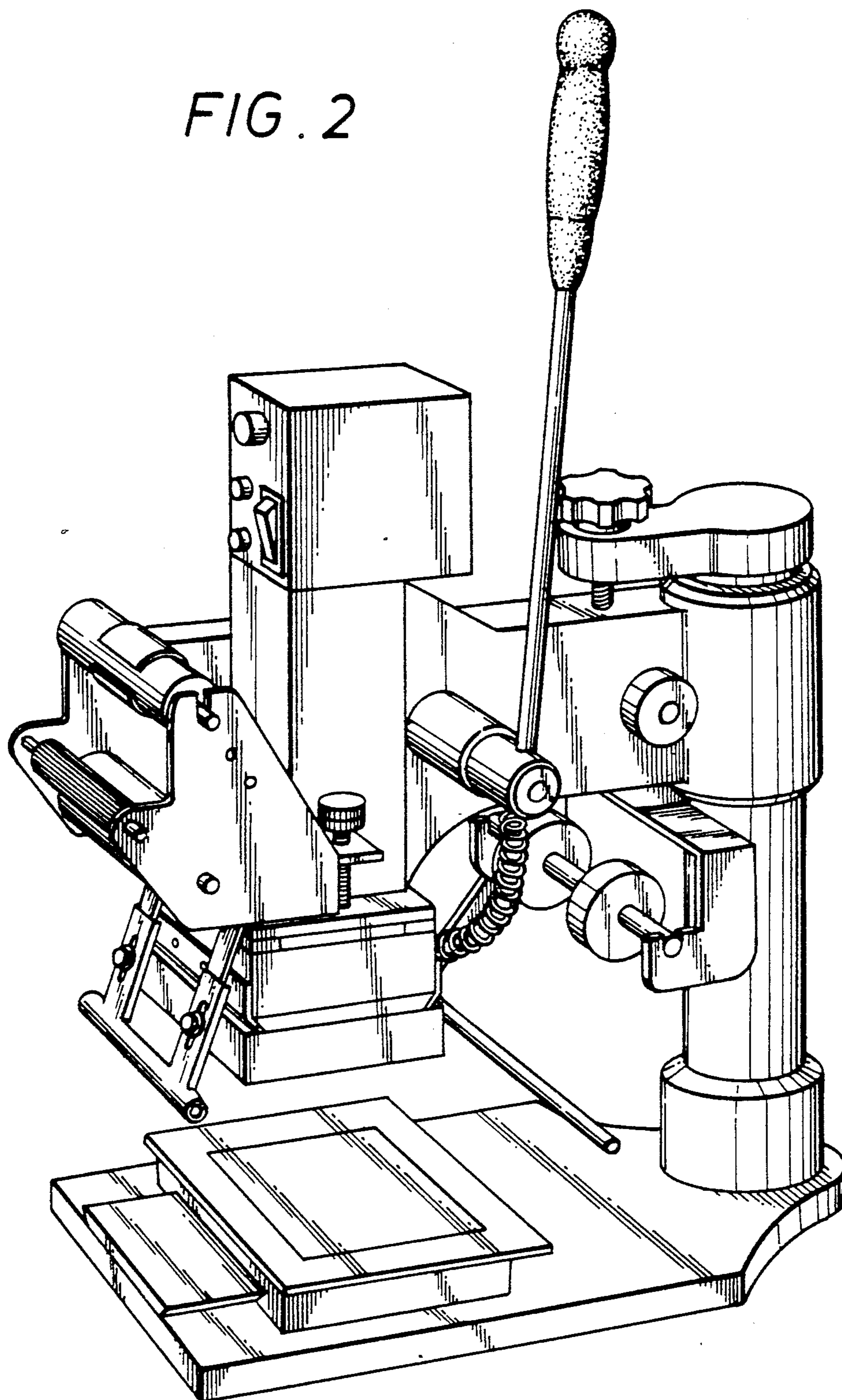


FIG. 3

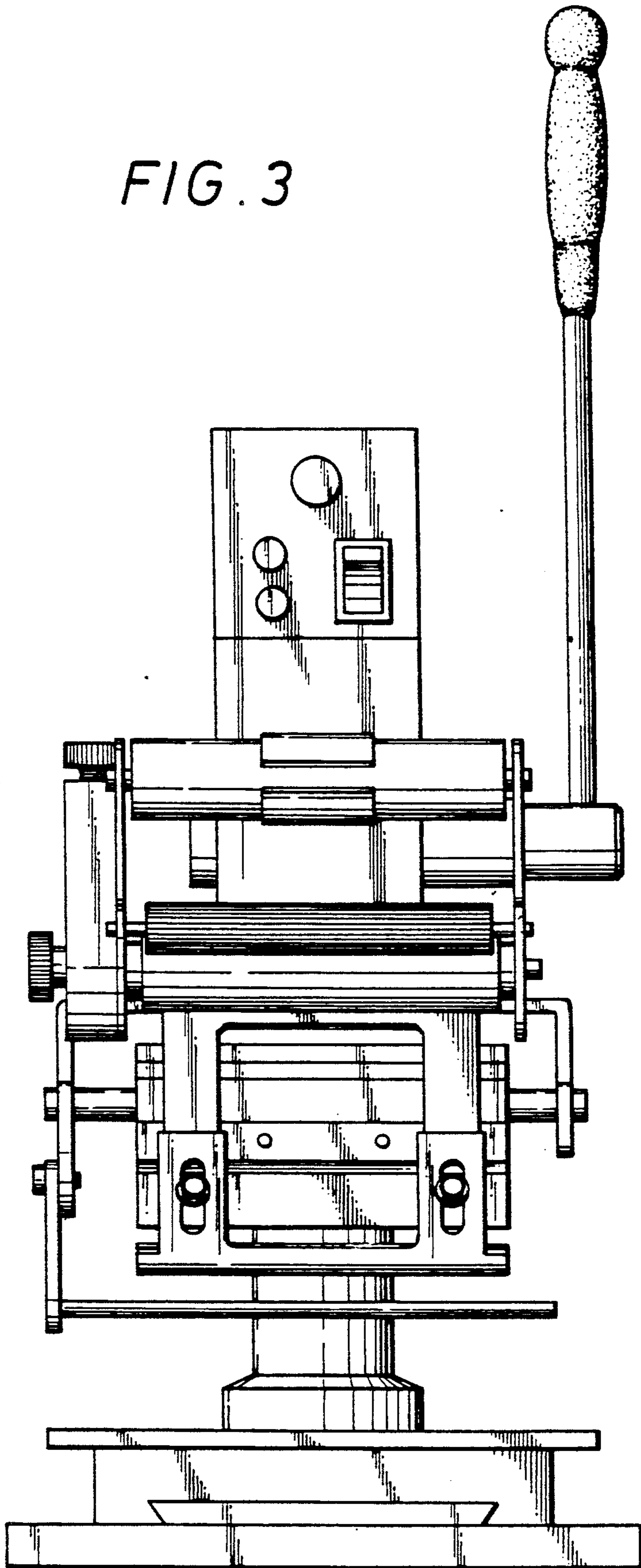


FIG. 4

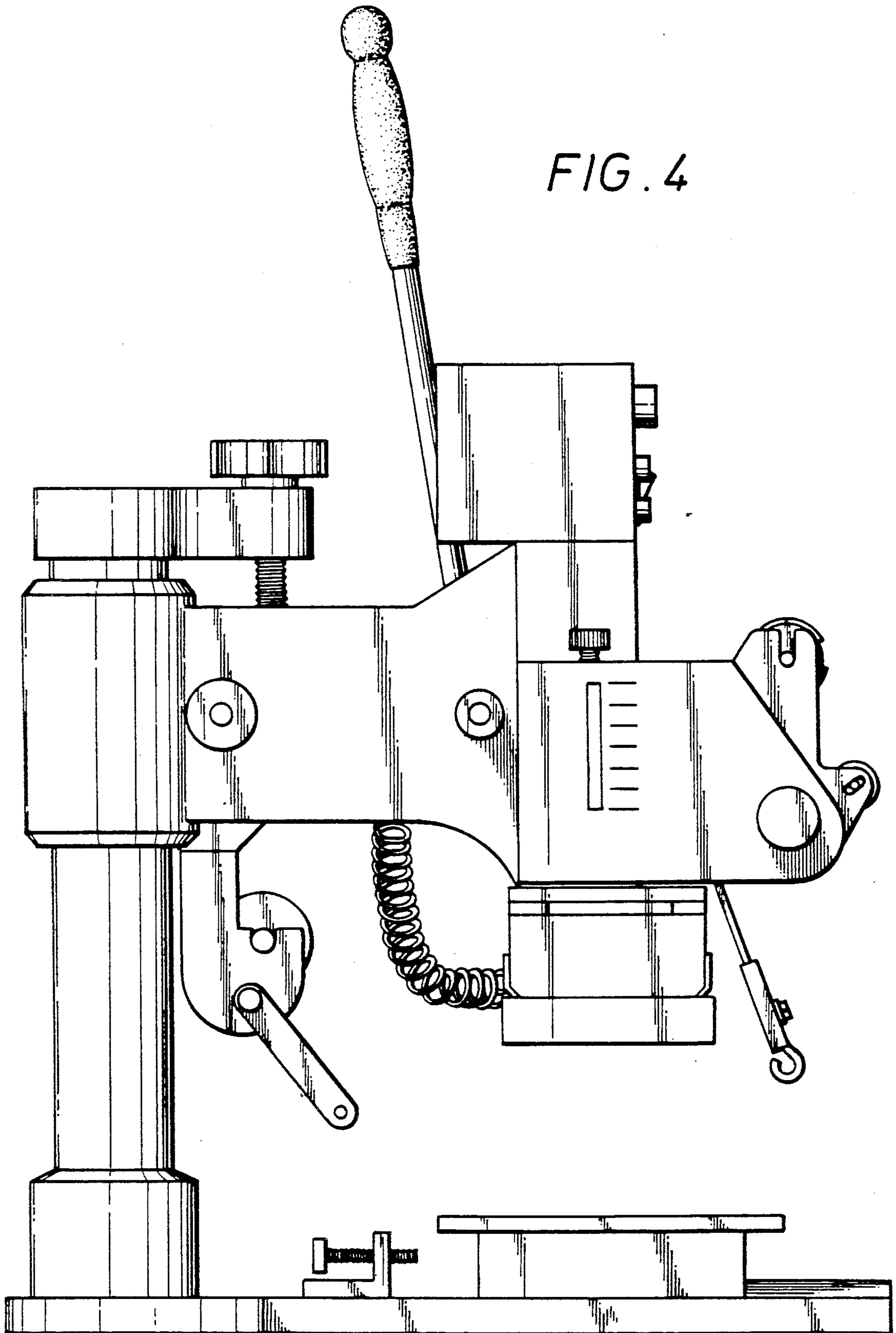


FIG. 5

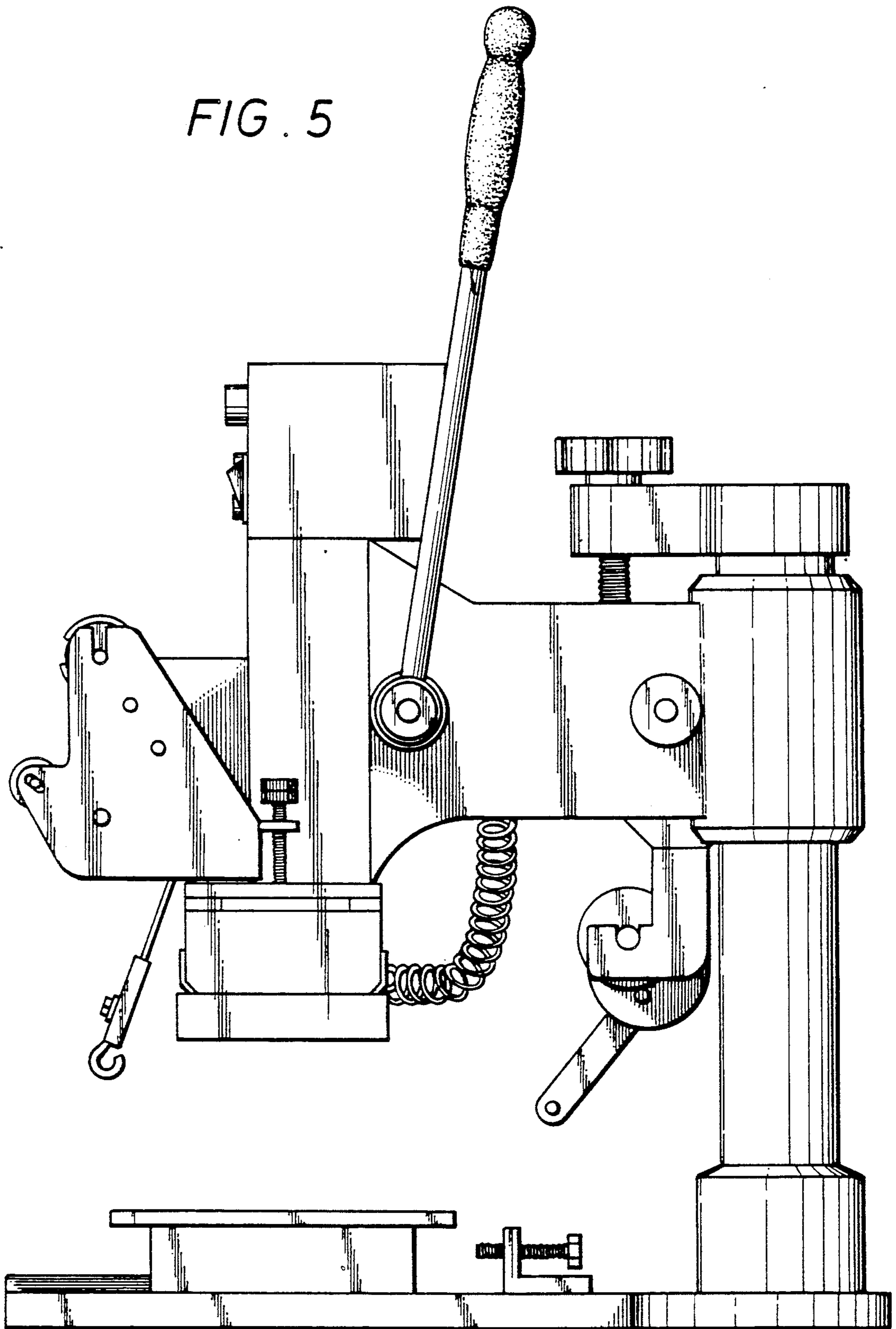


FIG. 6

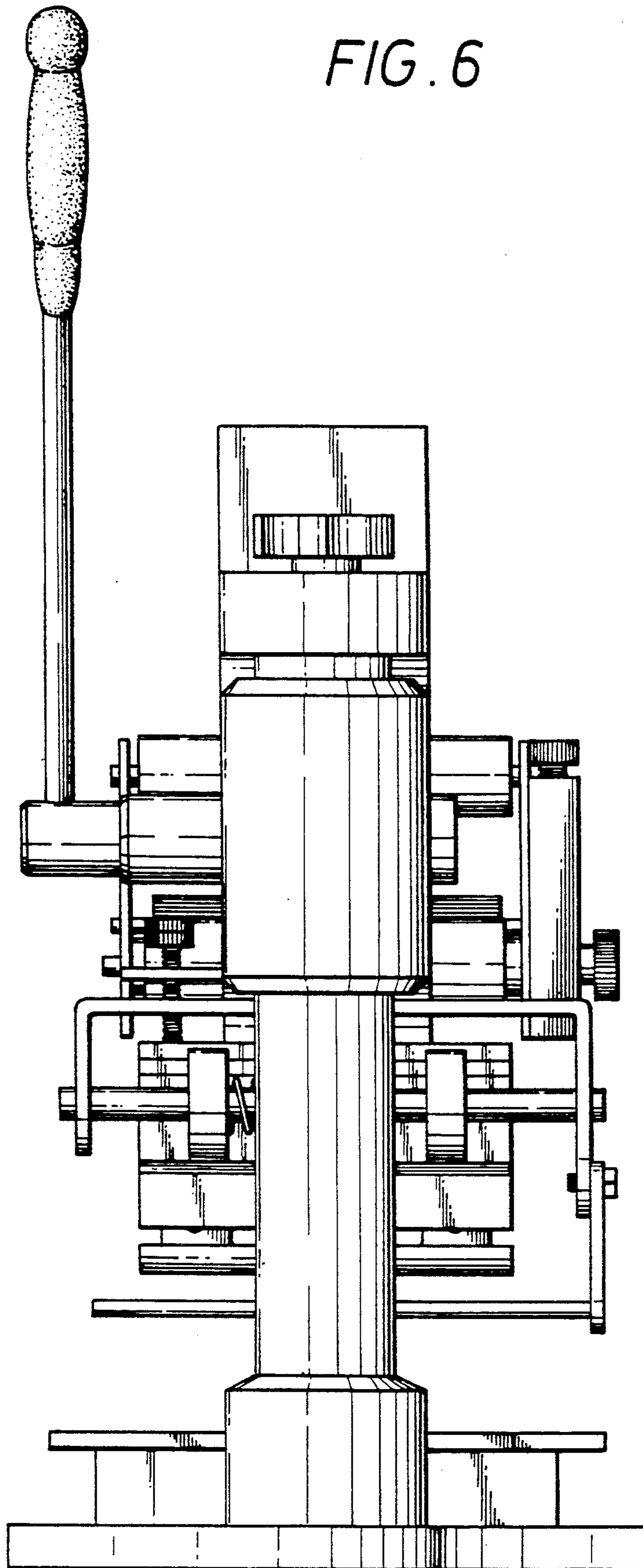


FIG. 7

