



US00D326464S

**United States Patent** [19]  
**Tabacchi**

[11] **Patent Number: Des. 326,464**

[45] **Date of Patent: \*\* May 26, 1992**

[54] **EYEGLASS FRAME**

[75] **Inventor: Vittorio Tabacchi, Padova, Italy**

[73] **Assignee: Safilo, S.p.A., Padova, Italy**

[\*\*] **Term: 14 Years**

[21] **Appl. No.: 436,508**

[22] **Filed: Oct. 31, 1989**

[52] **U.S. Cl. .... D16/102**

[58] **Field of Search ..... D16/102, 104, 107, 111, D16/112, 117, 119, 125, 127; D21/240; 351/41, 44, 45, 46, 51, 52, 83, 154, 124; 2/426, 439, 452, 436, 432, 447, 454**

[56] **References Cited**

**U.S. PATENT DOCUMENTS**

D. 165,079	11/1951	Kono	.....	D16/102
D. 184,395	2/1959	Gross	.....	D16/127
D. 224,348	7/1972	Bloch	.....	D16/102
D. 282,079	1/1986	Zalloni	.....	D16/127
D. 308,978	7/1990	Anger	.....	D16/127

**OTHER PUBLICATIONS**

LN Industries SA in advertising supplement in Optician Mar. 25 1988 p. 2 Enjo (Spectacles D16).

Optician Aug. 17 1973 p. 21.

*Primary Examiner*—Bernard Ansher

*Assistant Examiner*—R. Barkai

*Attorney, Agent, or Firm*—Howard I. Schuldenfrei

[57] **CLAIM**

The ornamental design for an eyeglass frame, as shown and described.

**DESCRIPTION**

FIG. 1 is a front perspective view of an eyeglass frame showing my new design;

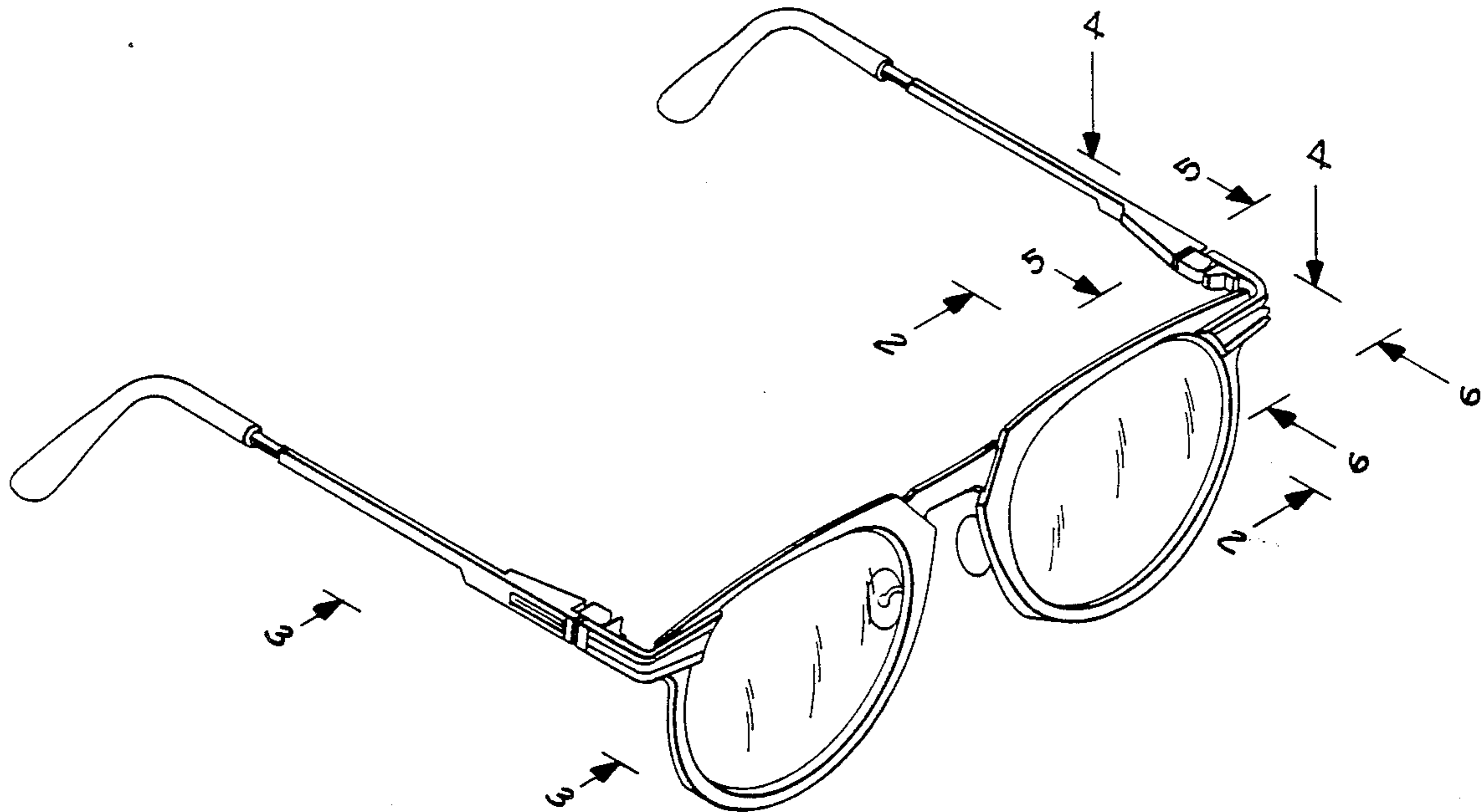
FIG. 2 is a fragmentary side elevational view thereof with portions shown in section along line 2—2 in FIG. 1;

FIG. 3 is a fragmentary left side elevational view thereof, the right side elevational view being substantially a mirror image;

FIG. 4 is a fragmentary top plan view thereof;

FIG. 5 is a fragmentary rear elevational view thereof with portions in section along the line 5—5 in FIG. 1; and,

FIG. 6 is a fragmentary front elevational view thereof.



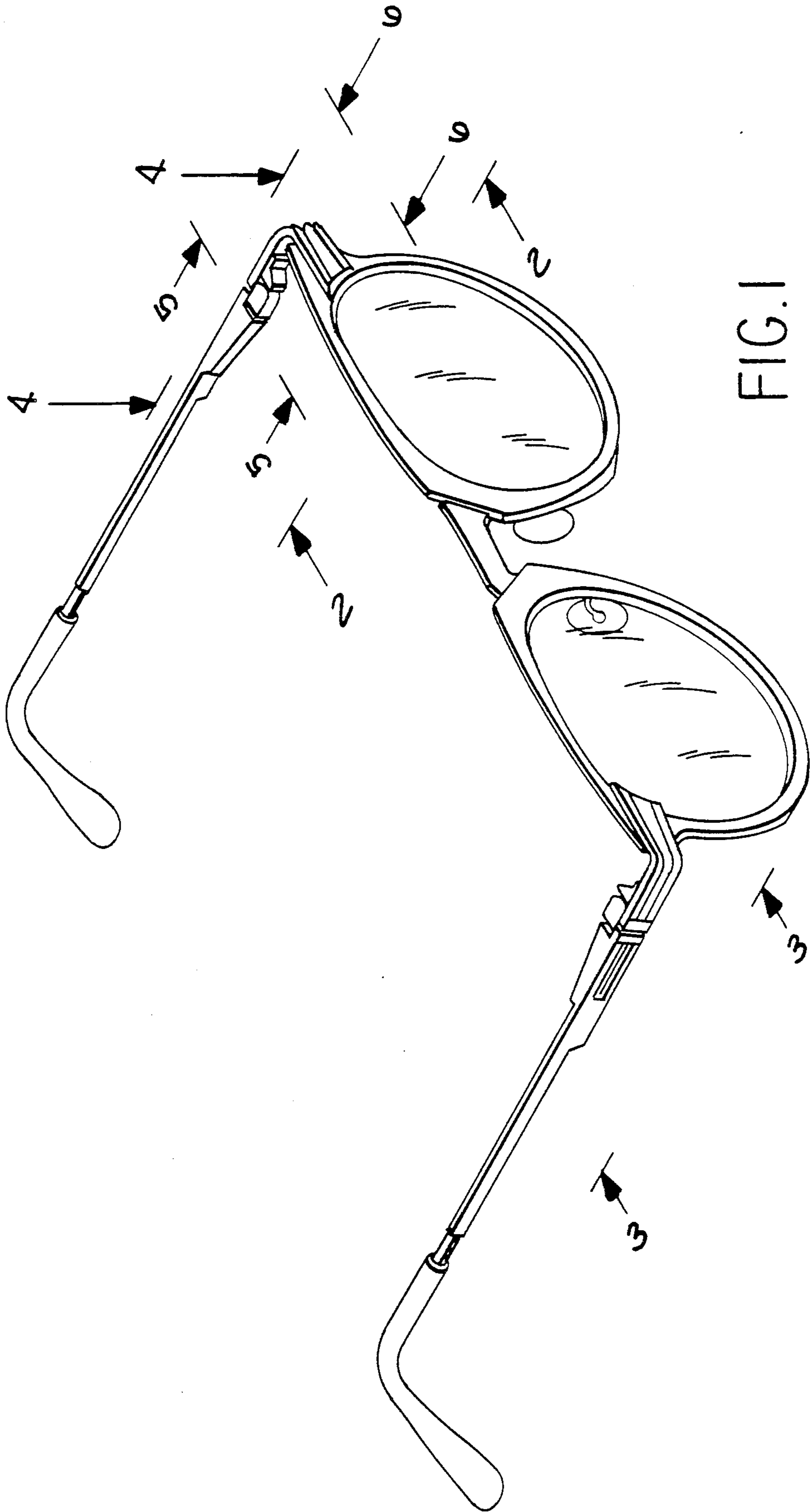


FIG. 1

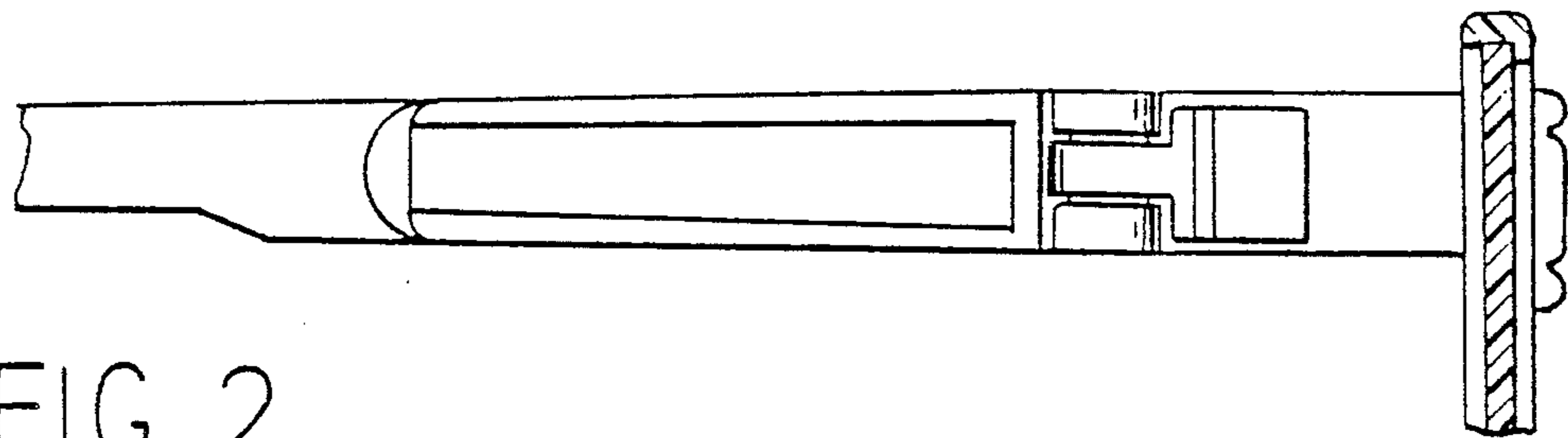


FIG. 2

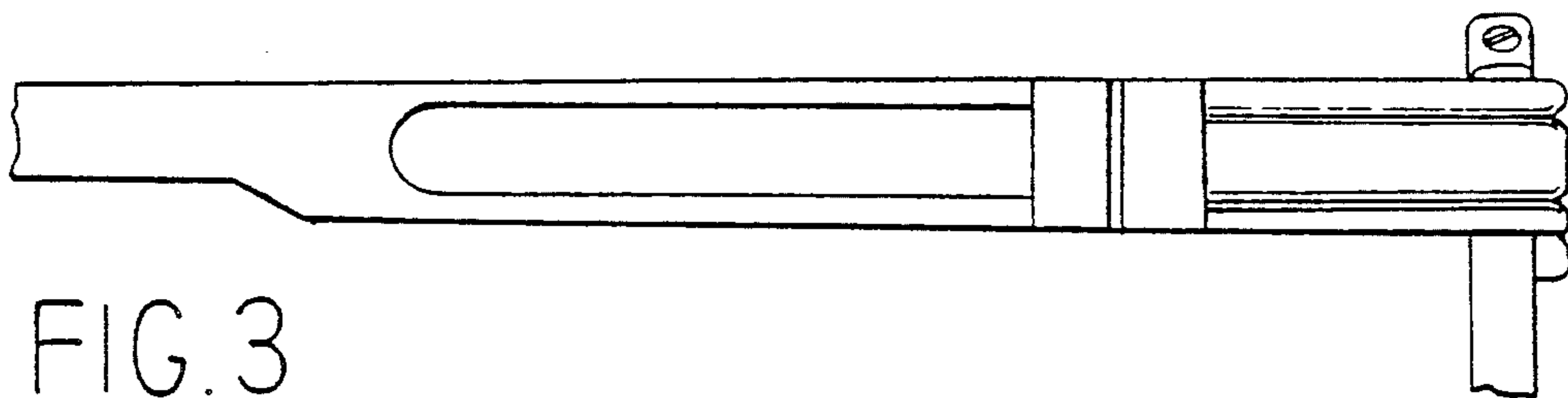


FIG. 3

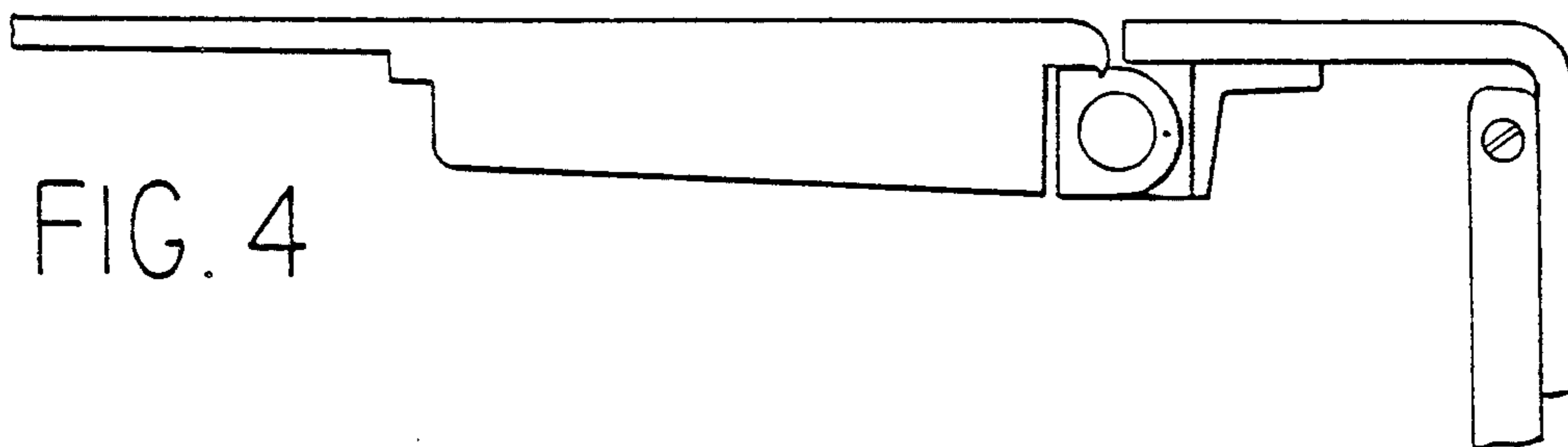


FIG. 4

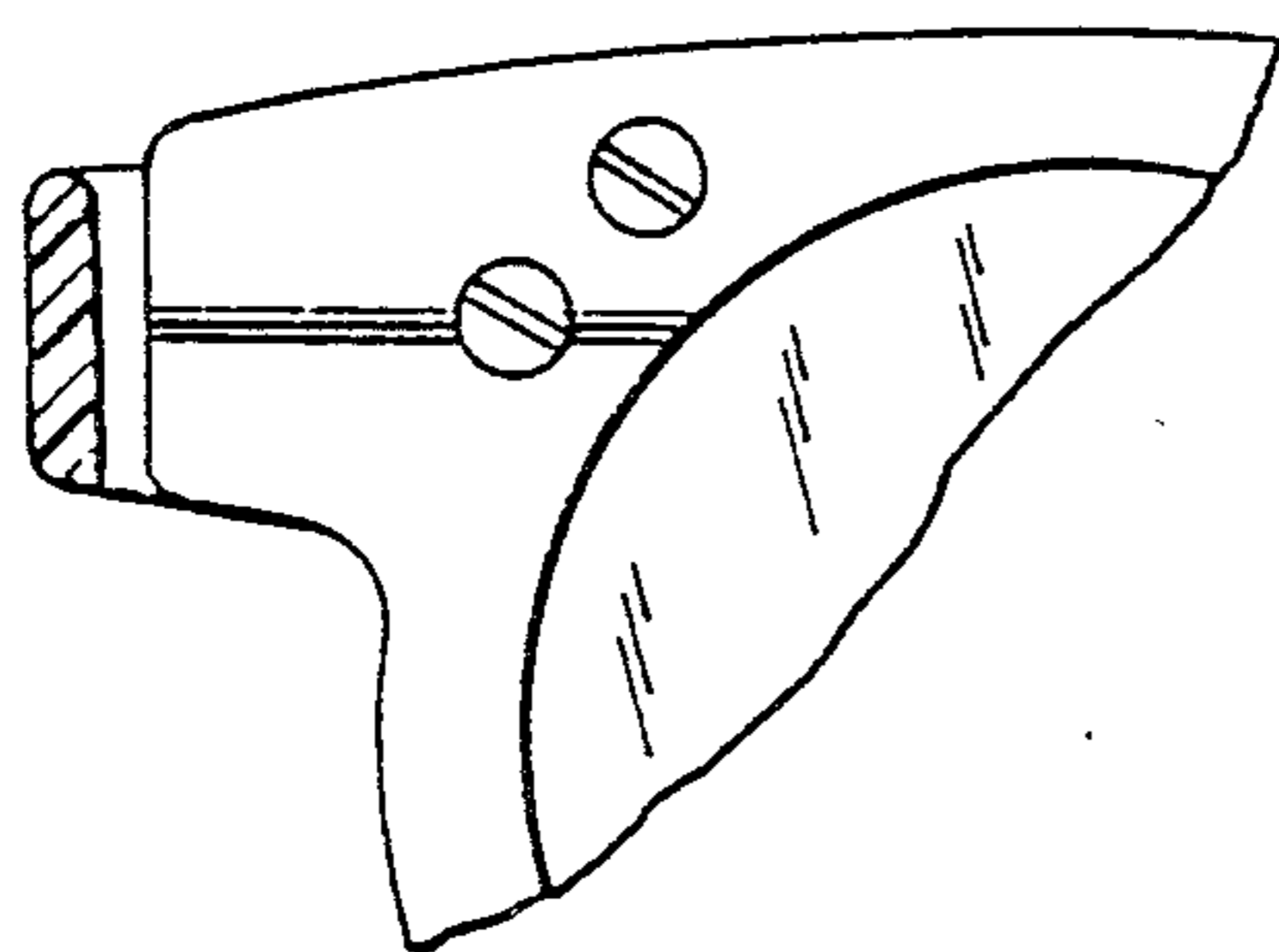


FIG. 5

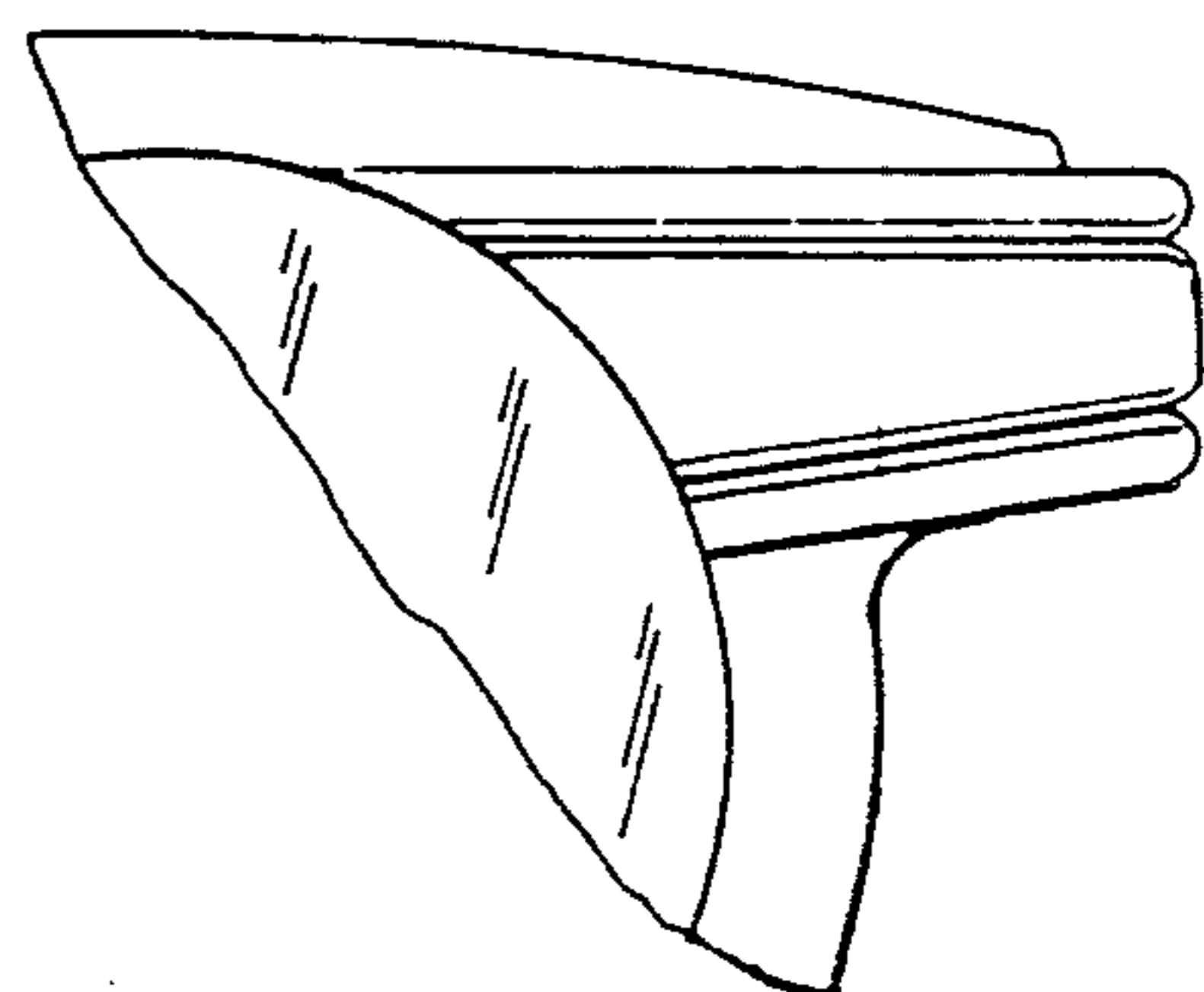


FIG. 6