



US00D326462S

United States Patent [19]

[11] Patent Number: **Des. 326,462**

Cooper

[45] Date of Patent: **** May 26, 1992**

[54] **TRIGGER LOCK FOR FUEL PUMP NOZZLE**

4,337,917	7/1982	Tesack et al.	
4,690,182	9/1987	Knaus	141/392
4,722,375	2/1988	Fox	141/392

[76] Inventor: **Daniel Cooper, 324 Empress La., League City, Tex. 77573**

Primary Examiner—A. Hugo Word
Assistant Examiner—R. Seifert
Attorney, Agent, or Firm—Gunn, Lee & Miller

[**] Term: **14 Years**

[21] Appl. No.: **498,390**

[57] **CLAIM**

[22] Filed: **Mar. 26, 1990**

The ornamental design for a trigger lock for a fuel pump nozzle, as shown and described.

[52] U.S. Cl. **D15/9.1; D8/349; 141/392**

DESCRIPTION

[58] Field of Search **D15/9.1; D3/61-65; D8/27, 18-19, 14, 16, 349, D11/5; 141/392, 206; 251/90**

FIG. 1 is a side elevational view of a trigger lock for a fuel pump nozzle showing my new design;
FIG. 2 is a perspective view;
FIG. 3 is a front elevational view, the opposite side being a mirror image;
FIG. 4 is an end elevational view;
FIG. 5 is end elevational view of the side opposite that shown in FIG. 4;
FIG. 6 is a top plan view; and,
FIG. 7 is a bottom plan view.

[56] **References Cited**

U.S. PATENT DOCUMENTS

D. 254,050	1/1980	Fitzgerald	141/392
D. 310,321	9/1990	Glover	141/392
4,201,253	5/1980	Maloney	
4,210,181	7/1980	Clevenger	141/392
4,216,807	8/1980	Diamond	141/392
4,245,682	1/1981	Agnew, Sr.	
4,275,776	6/1981	Rehkopf	141/392
4,278,116	7/1981	Opp	141/392

The broken line showing of a gasoline pump nozzle is for illustrative purposes only and forms no part of the claimed design.

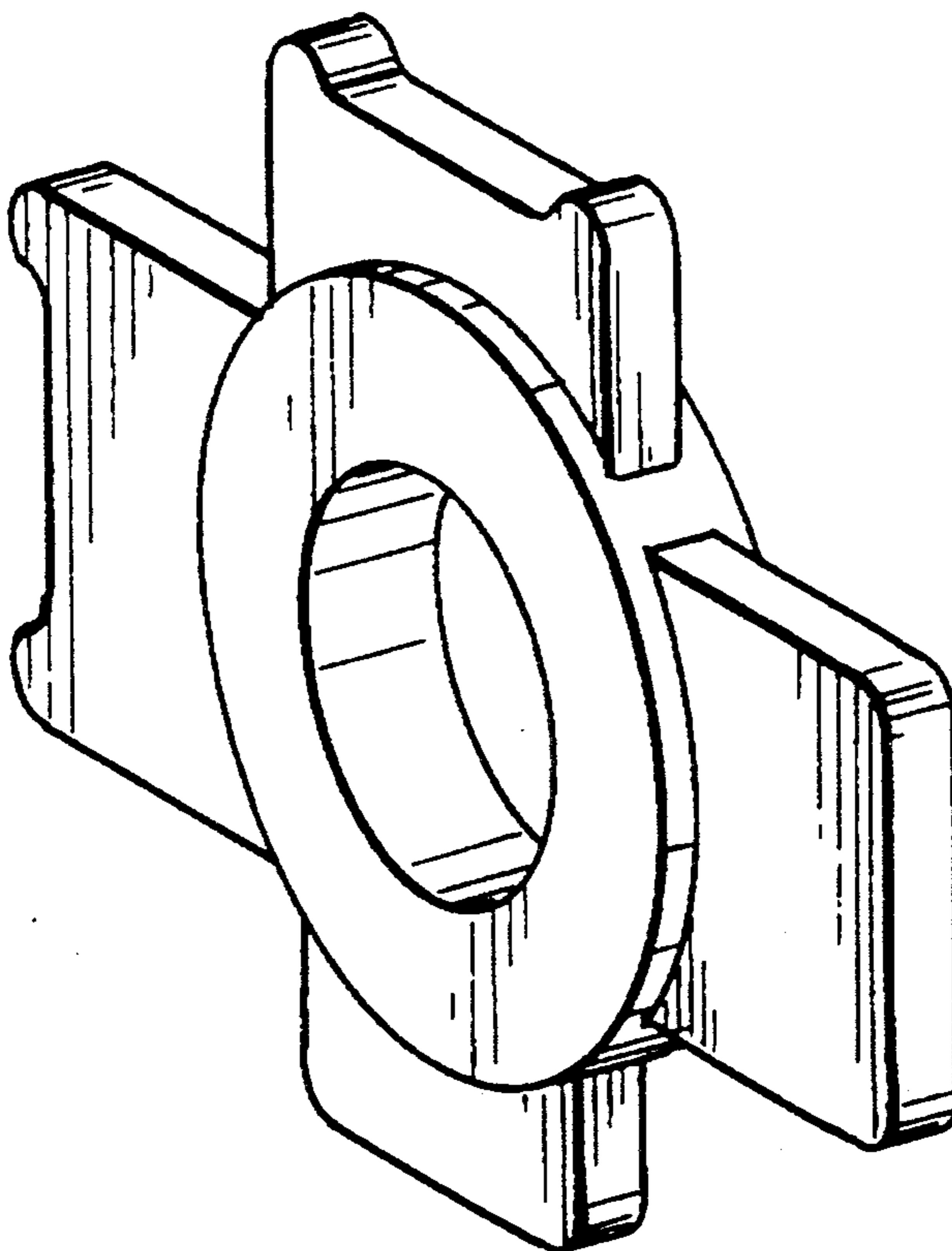


FIG. 1

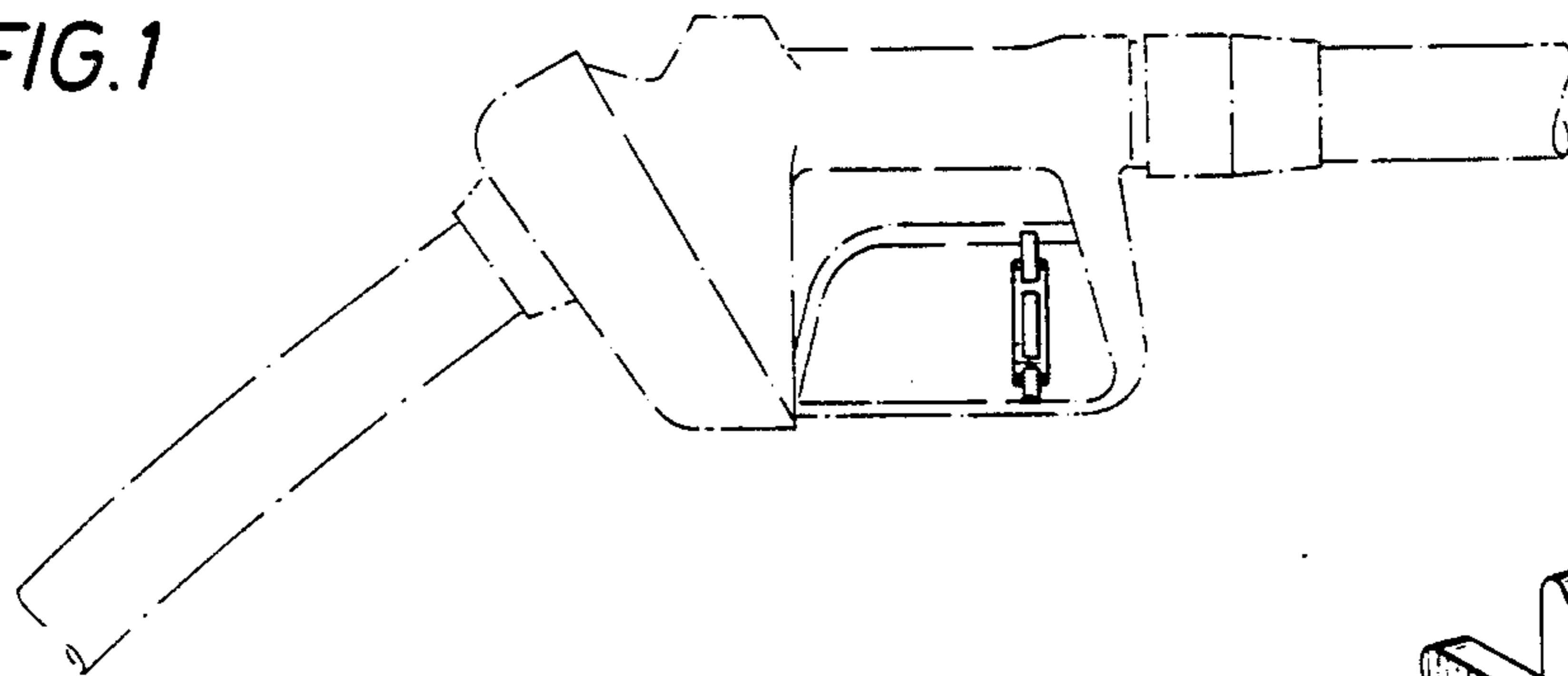


FIG. 2

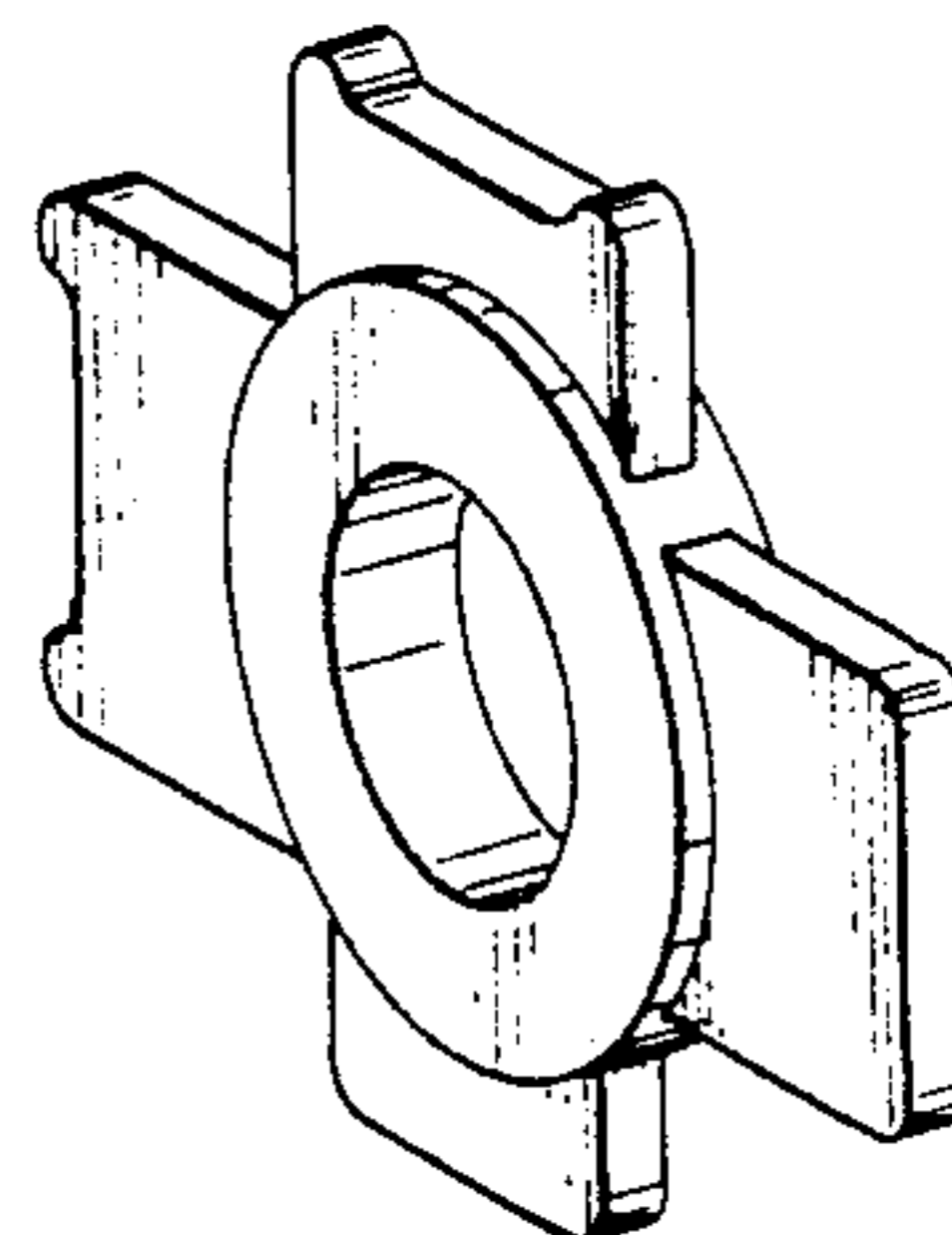


FIG. 6

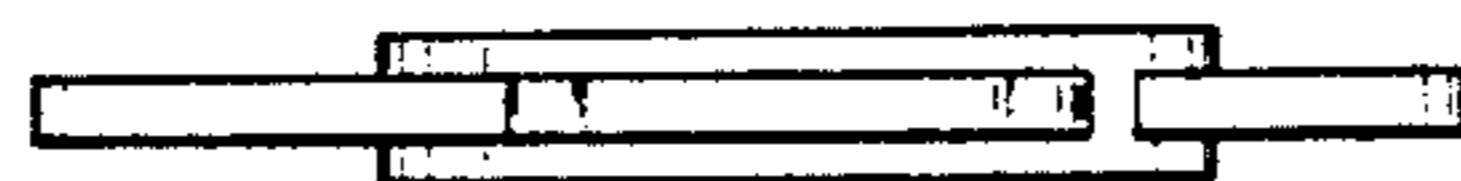


FIG. 3

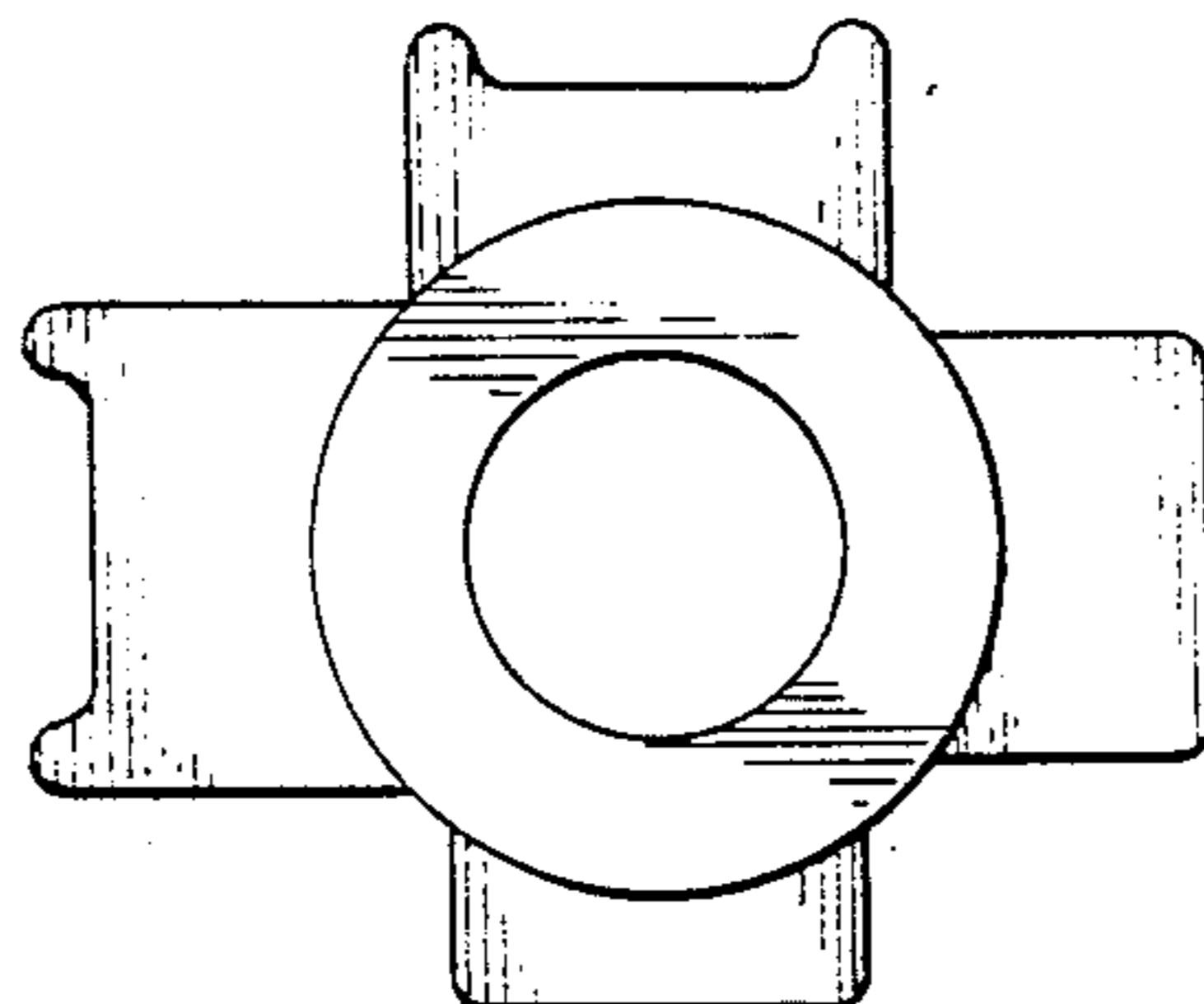


FIG. 5

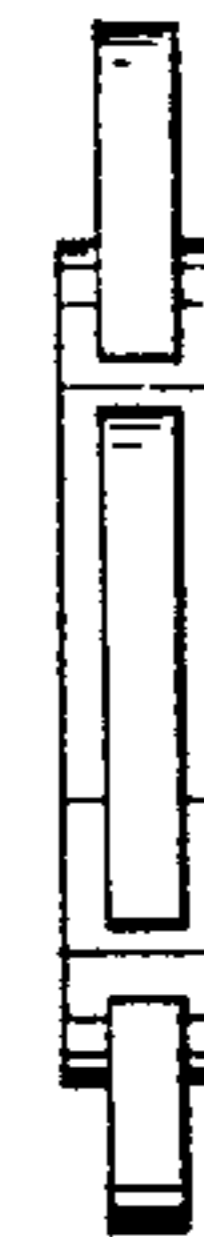


FIG. 4

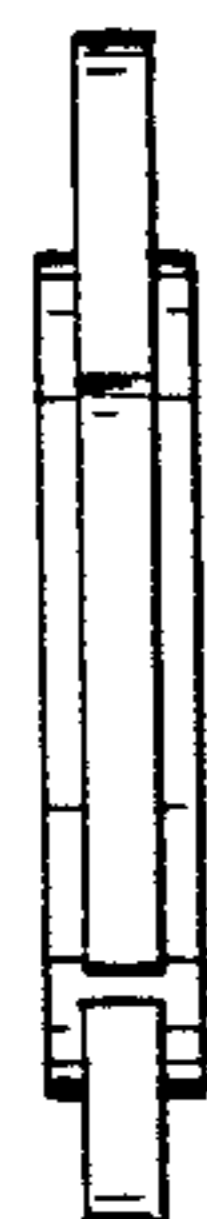


FIG. 7

