



US00D326459S

# United States Patent [19]

[11] Patent Number: Des. 326,459

Anderson

[45] Date of Patent: \*\* May 26, 1992

[54] PRESS PLATE

3,296,985 1/1967 Shelton .  
4,388,878 6/1983 Demzin .  
4,638,748 1/1987 Kopecky .  
4,770,112 9/1988 Neumeyer .

[76] Inventor: Kevin M. Anderson, P.O. Box 32,  
Andover, S. Dak. 57422

[\*\*] Term: 14 Years

Primary Examiner—Donald P. Walsh  
Assistant Examiner—Antoine D. Davis  
Attorney, Agent, or Firm—Burd, Bartz & Gutenkauf

[21] Appl. No.: 437,506

[22] Filed: Nov. 16, 1989

### [57] CLAIM

[52] U.S. Cl. .... D15/29

The ornamental design for a press plate, as shown and described.

[58] Field of Search ..... D15/123, 29; 111/52,  
111/149, 150, 151, 152, 153, 154, 155, 156

### DESCRIPTION

### [56] References Cited

FIG. 1 is a perspective view of a press plate showing my new design;

#### U.S. PATENT DOCUMENTS

D. 204,471	4/1966	McConnell	.....	D15/29
D. 244,597	6/1977	Bowes, Jr.	.....	D15/29
D. 244,683	6/1977	Bowes, Jr.	.....	D15/29
D. 299,350	1/1989	Edmisson	.....	D15/29
D. 299,351	1/1989	Edmisson	.....	D15/29
1,333,394	3/1920	Ekman	.....	D15/29 X

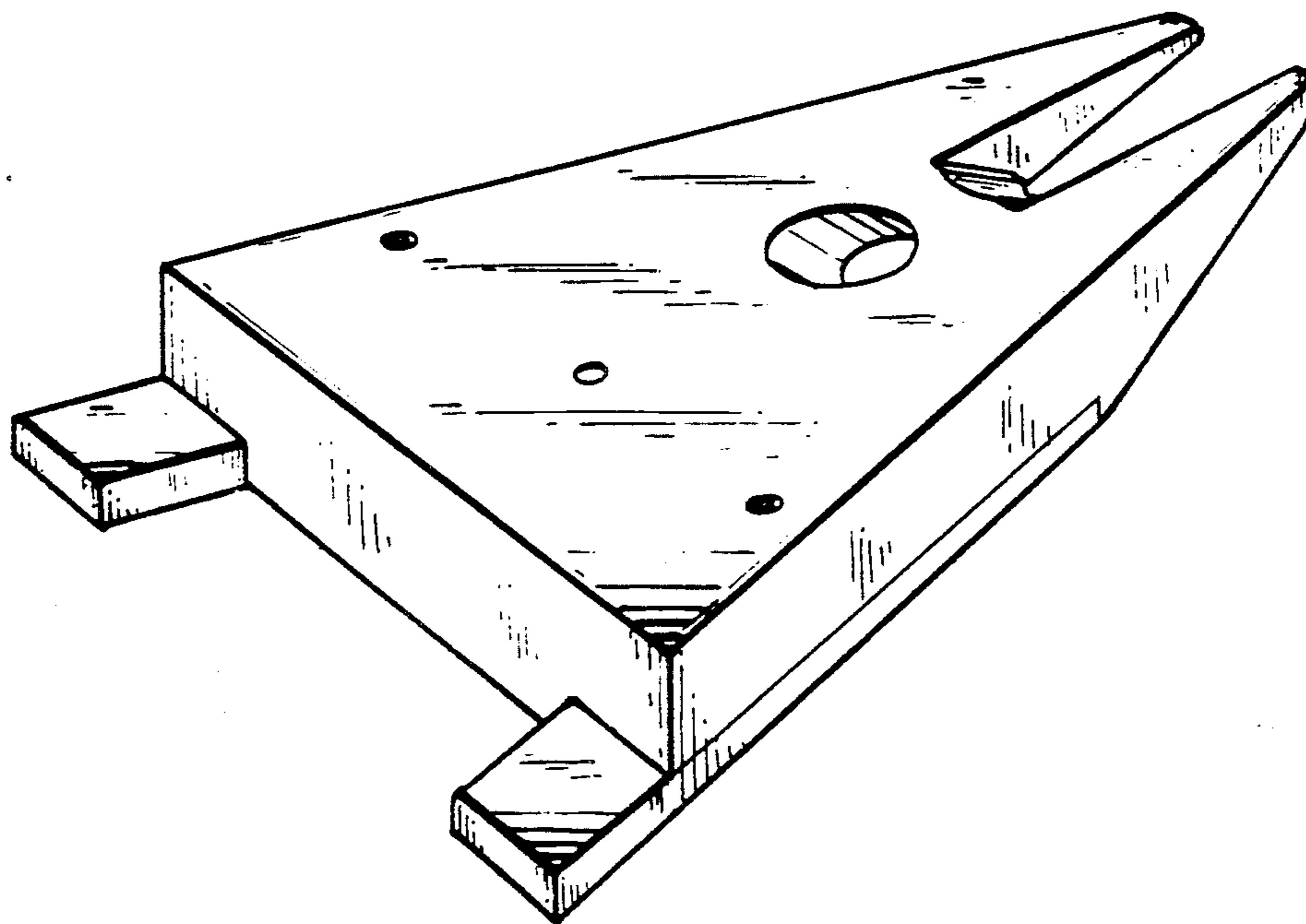
FIG. 2 is a top plan view;

FIG. 3 is a bottom plan view;

FIG. 4 is a left side elevational view, the right side elevational view being identical;

FIG. 5 is a front elevational view; and,

FIG. 6 is a rear elevational view thereof.



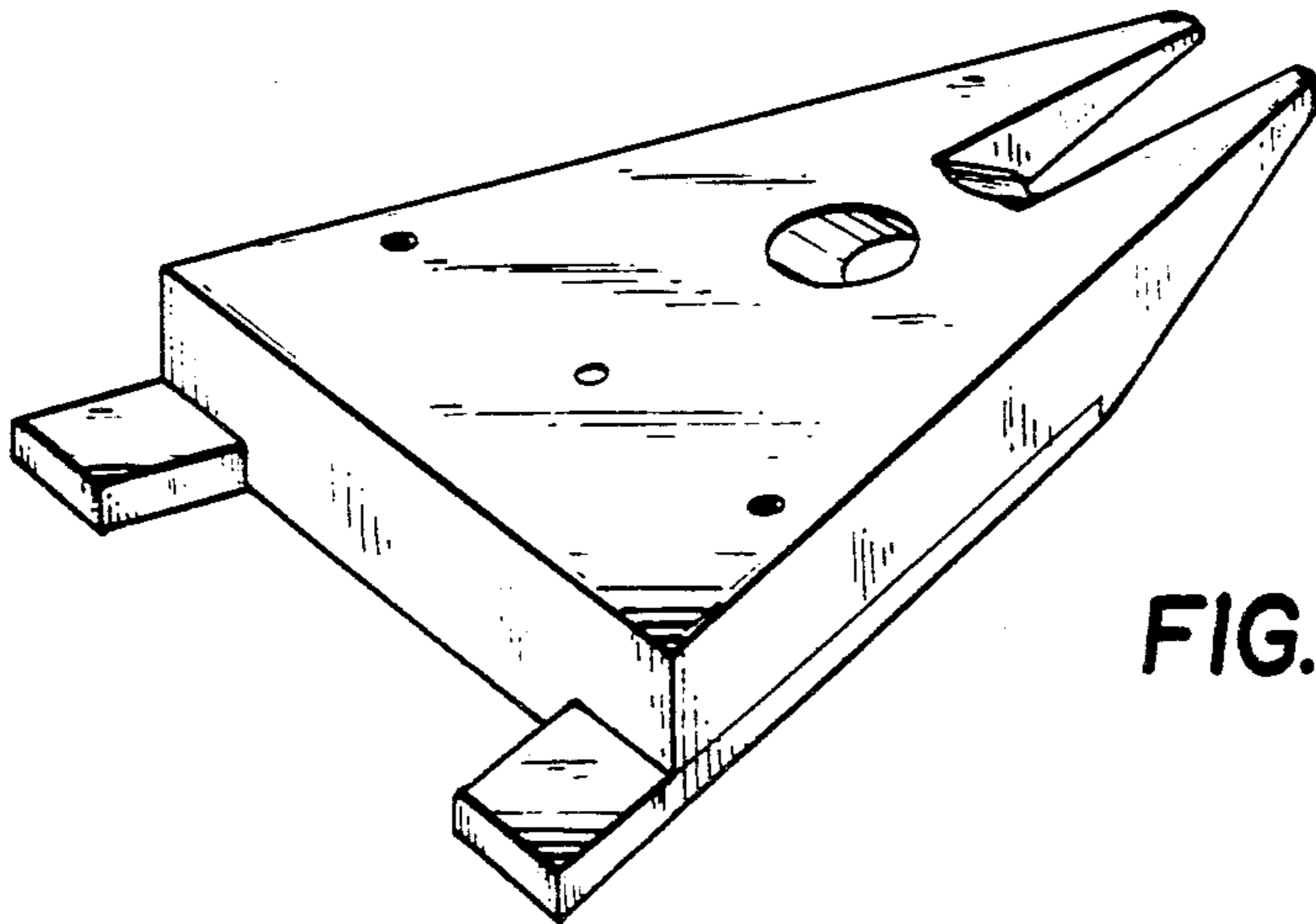


FIG. 1

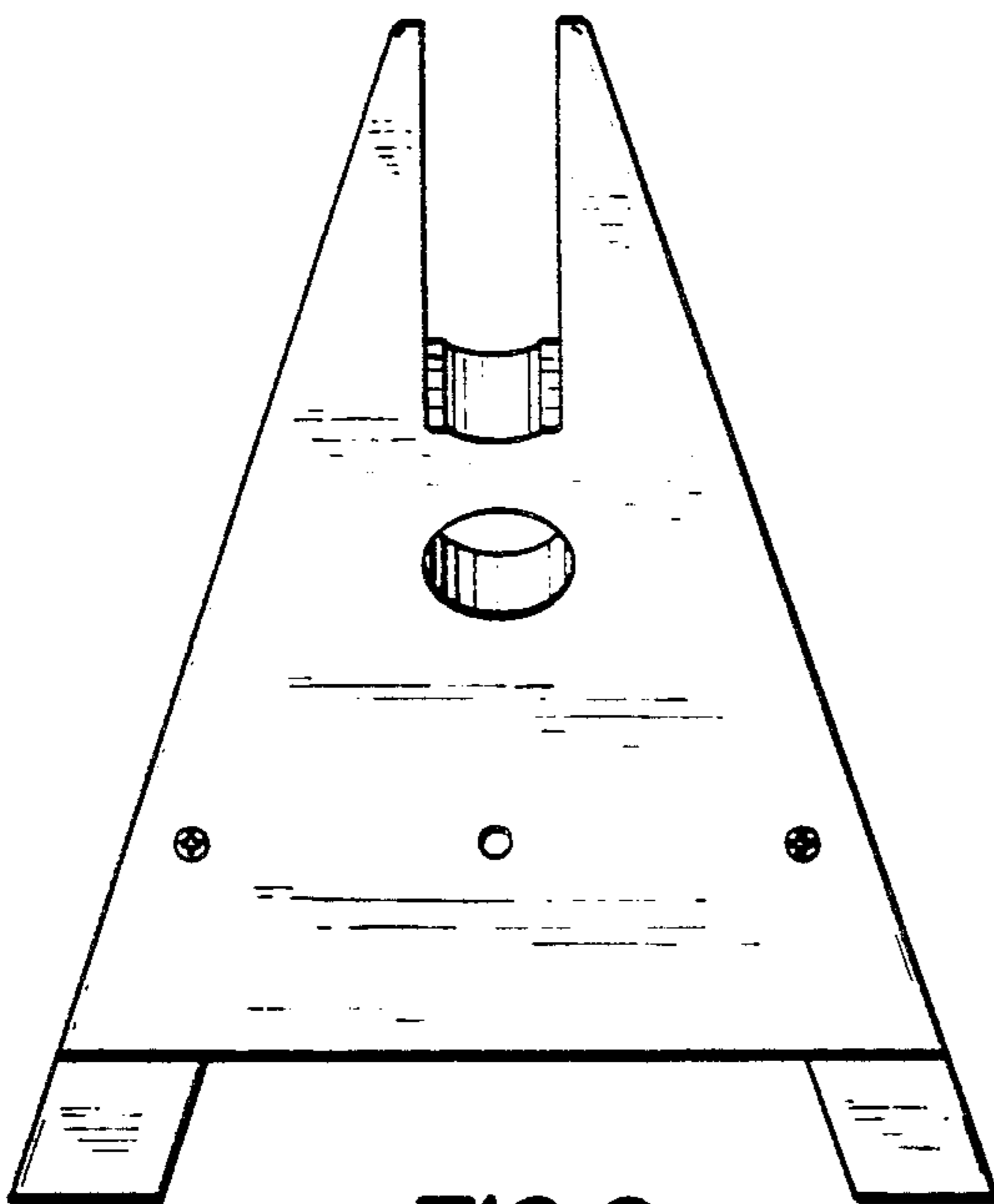


FIG. 2

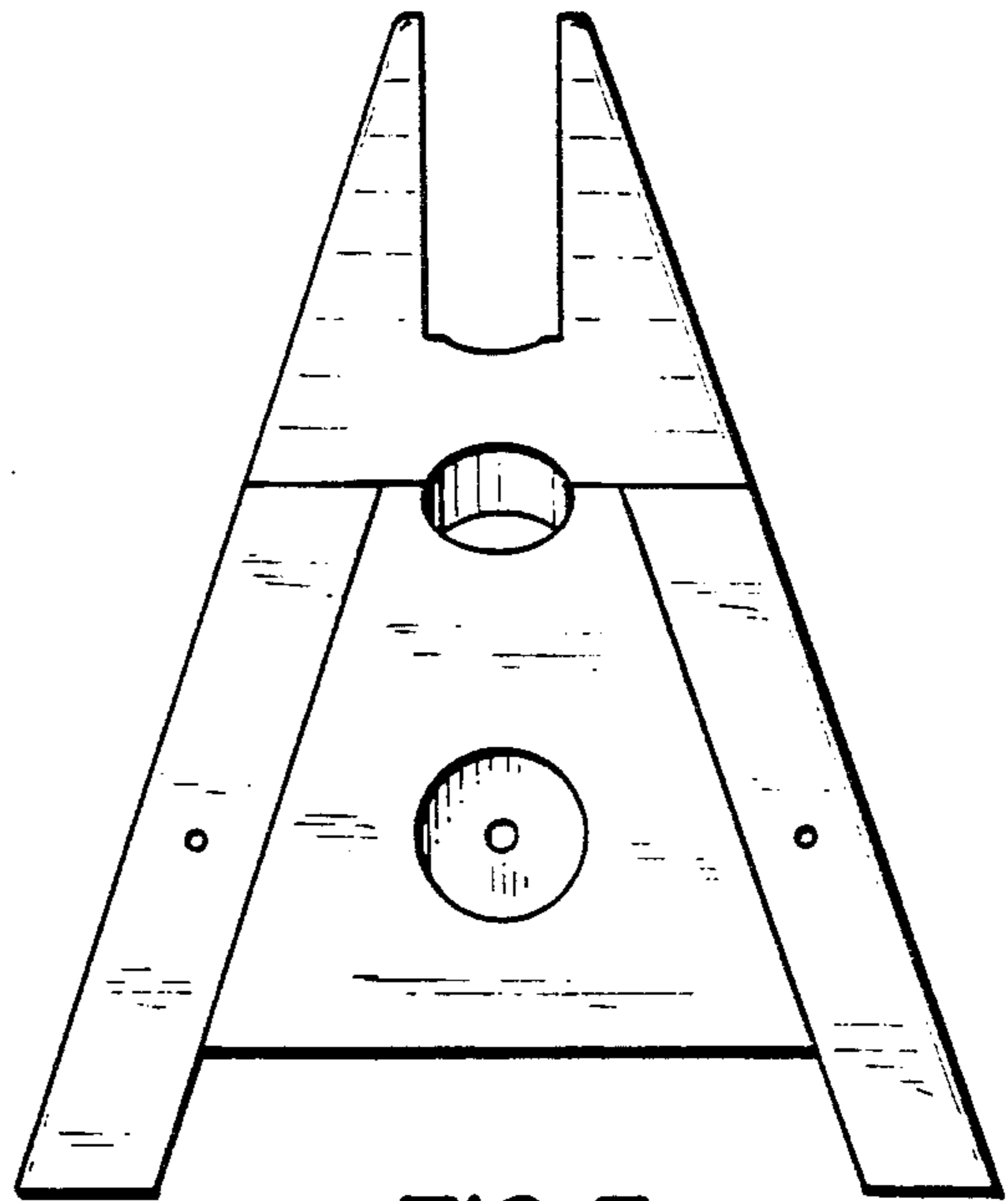


FIG. 3



**FIG. 4**



**FIG. 5**



**FIG. 6**