



US00D326458S

# United States Patent [19]

[11] Patent Number: Des. 326,458

Huber, Jr.

[45] Date of Patent: \*\* May 26, 1992

## [54] LEAF BLOWER GRASS TRIMMER ATTACHMENT

[76] Inventor: **Robert D. Huber, Jr.**, 616E 700N, Westville, Ind. 46391

[\*\*] Term: **14 Years**

[21] Appl. No.: **355,376**

[22] Filed: **May 23, 1989**

[52] U.S. Cl. .... **D15/17**

[58] Field of Search ..... **D15/10-13, D15/14, 17, 28; D32/15; 30/276, DIG. 5; 56/12.8, 13.4, 233, 255, 320.2**

### [56] References Cited

#### U.S. PATENT DOCUMENTS

D. 305.816	1/1990	Berfield et al. ....	D32/15
3,781,991	1/1974	Stretton et al. ....	30/276
3,831,278	8/1974	Voglesonger ....	30/276
4,827,702	5/1989	Cerreta ....	56/13.4
4,835,950	6/1989	Cerreta ....	56/13.4

## OTHER PUBLICATIONS

Green Machine Power-Blower, top.

*Primary Examiner*—Bernard Ansher

*Assistant Examiner*—Sandra Morris

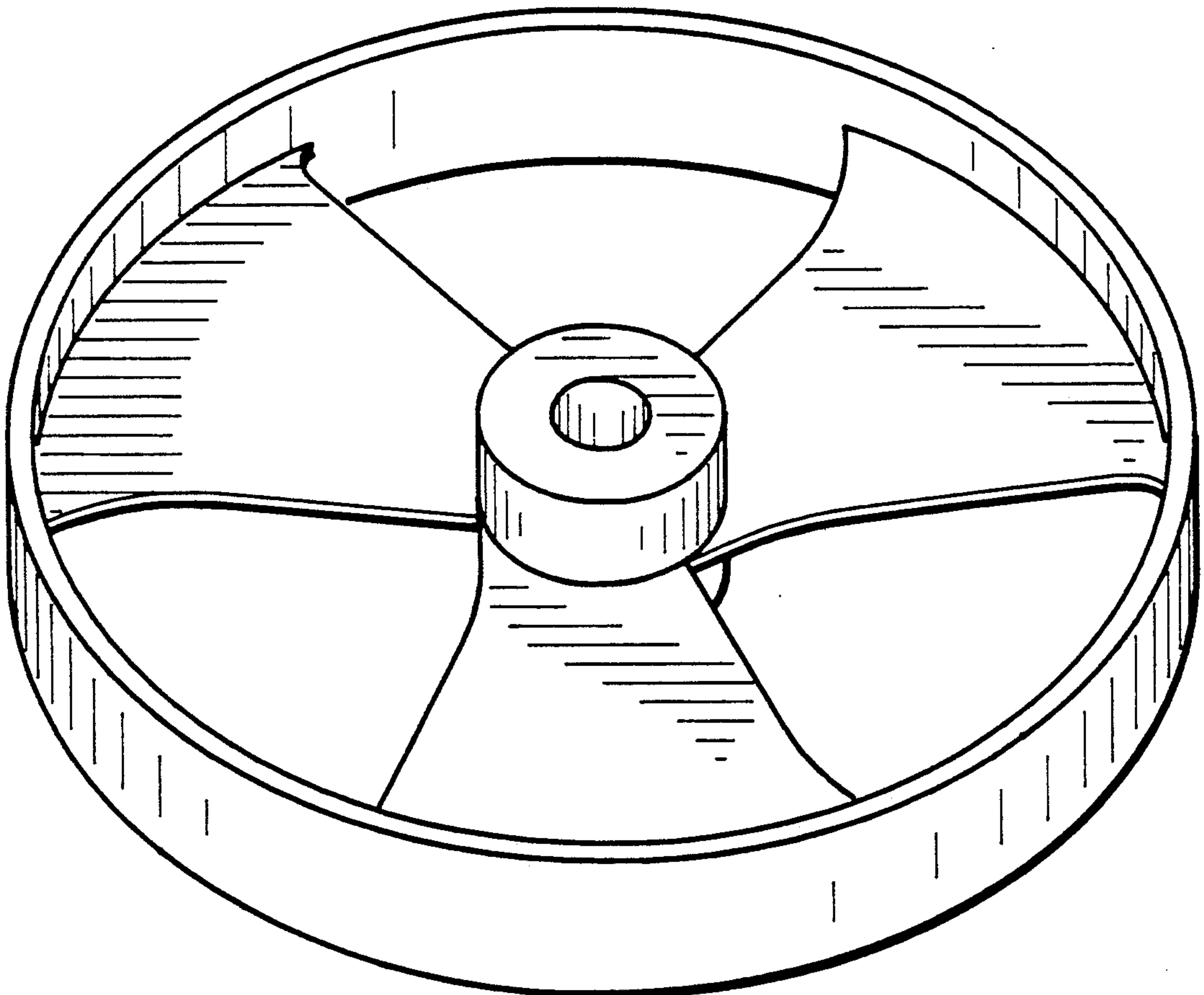
*Attorney, Agent, or Firm*—Leon Gilden

## [57] CLAIM

The ornamental design for a leaf blower grass trimmer attachment, as shown and described.

## DESCRIPTION

FIG. 1 is a front elevational view of a leaf blower grass trimmer attachment showing my new design; FIG. 2 is a rear elevational view thereof; FIG. 3 is a left side elevational view thereof; FIG. 4 is a right side elevational view thereof; FIG. 5 is a top plan view thereof; FIG. 6 is a bottom plan view thereof; FIG. 7 is an enlarged perspective view thereof; and FIG. 8 is an enlarged cross-sectional view thereof, taken on line 8—8 in FIG. 5.



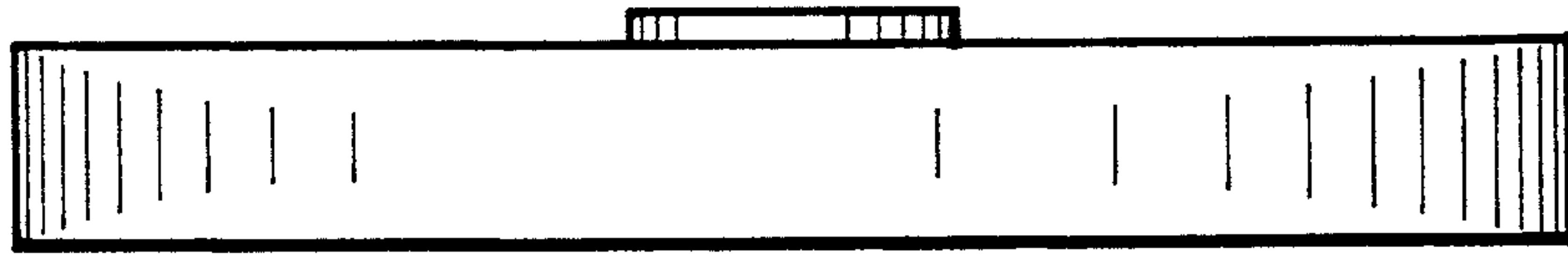


Fig. 1

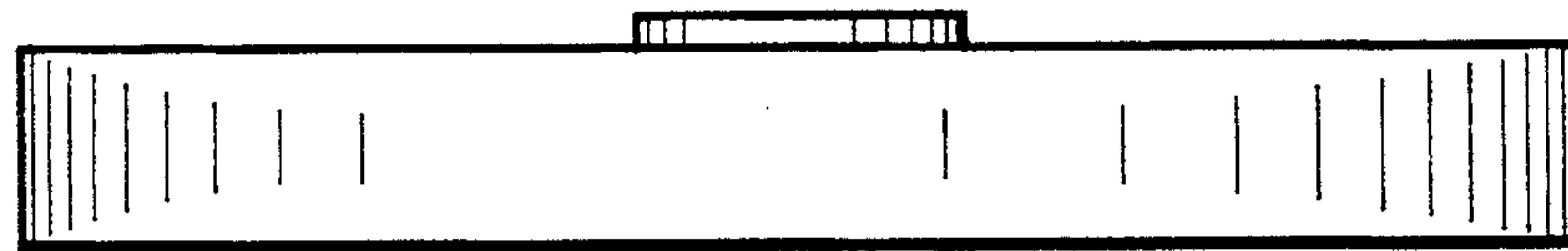


Fig. 2



Fig. 3

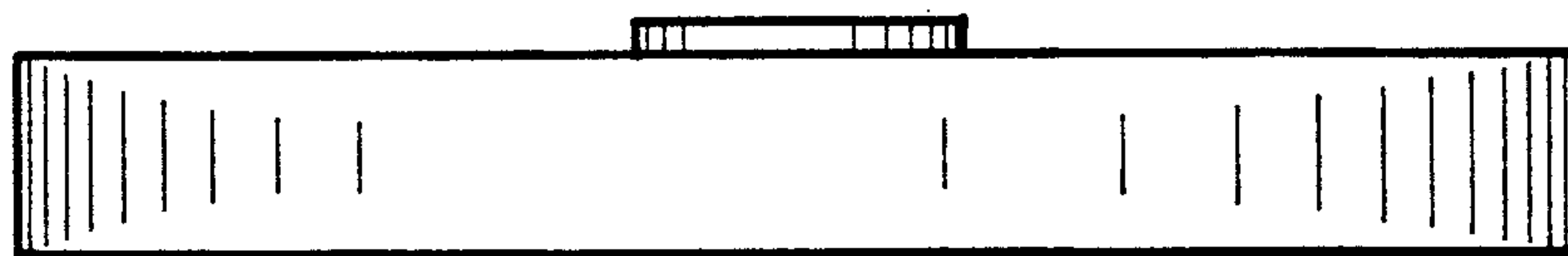


Fig. 4

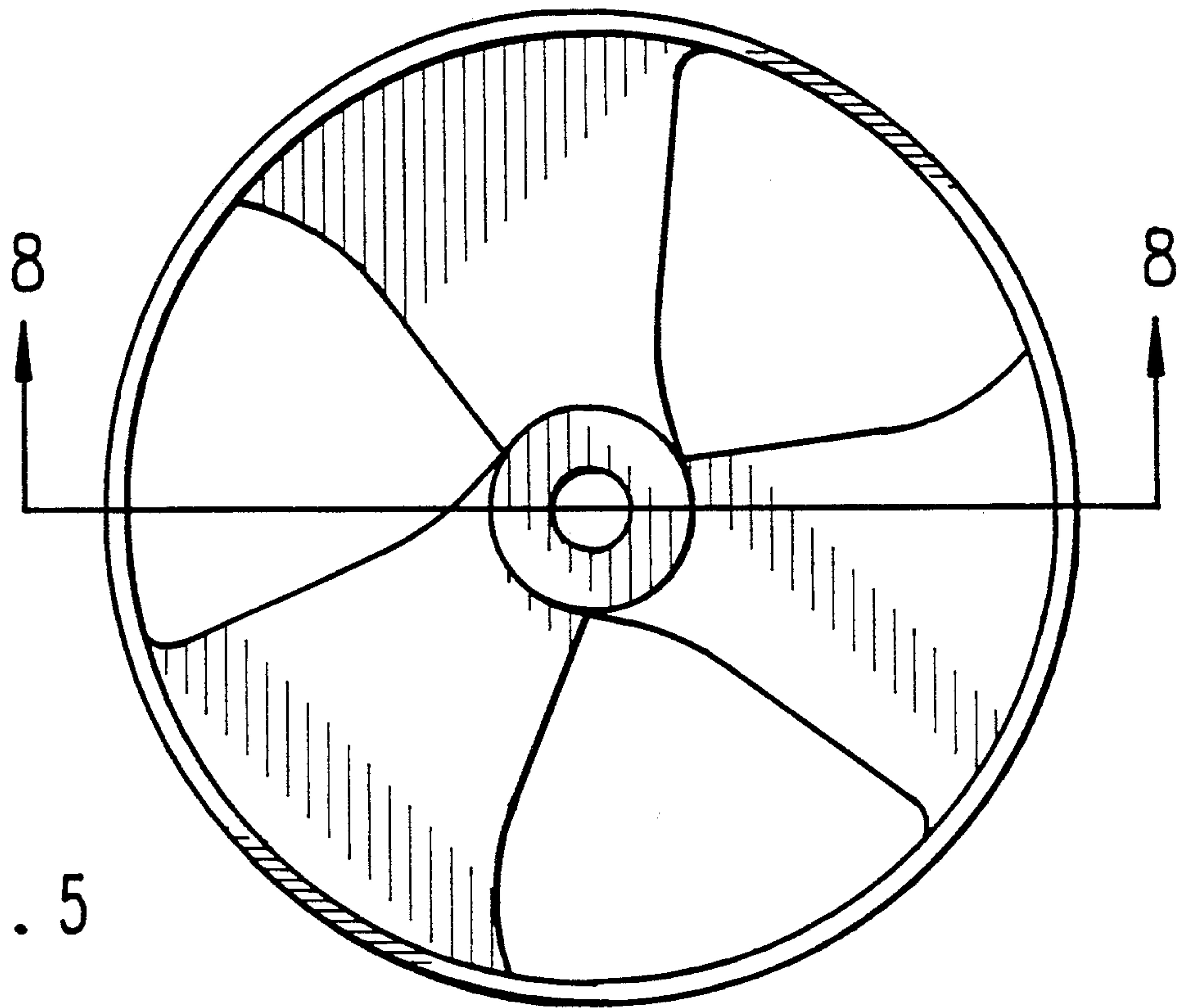


Fig. 5

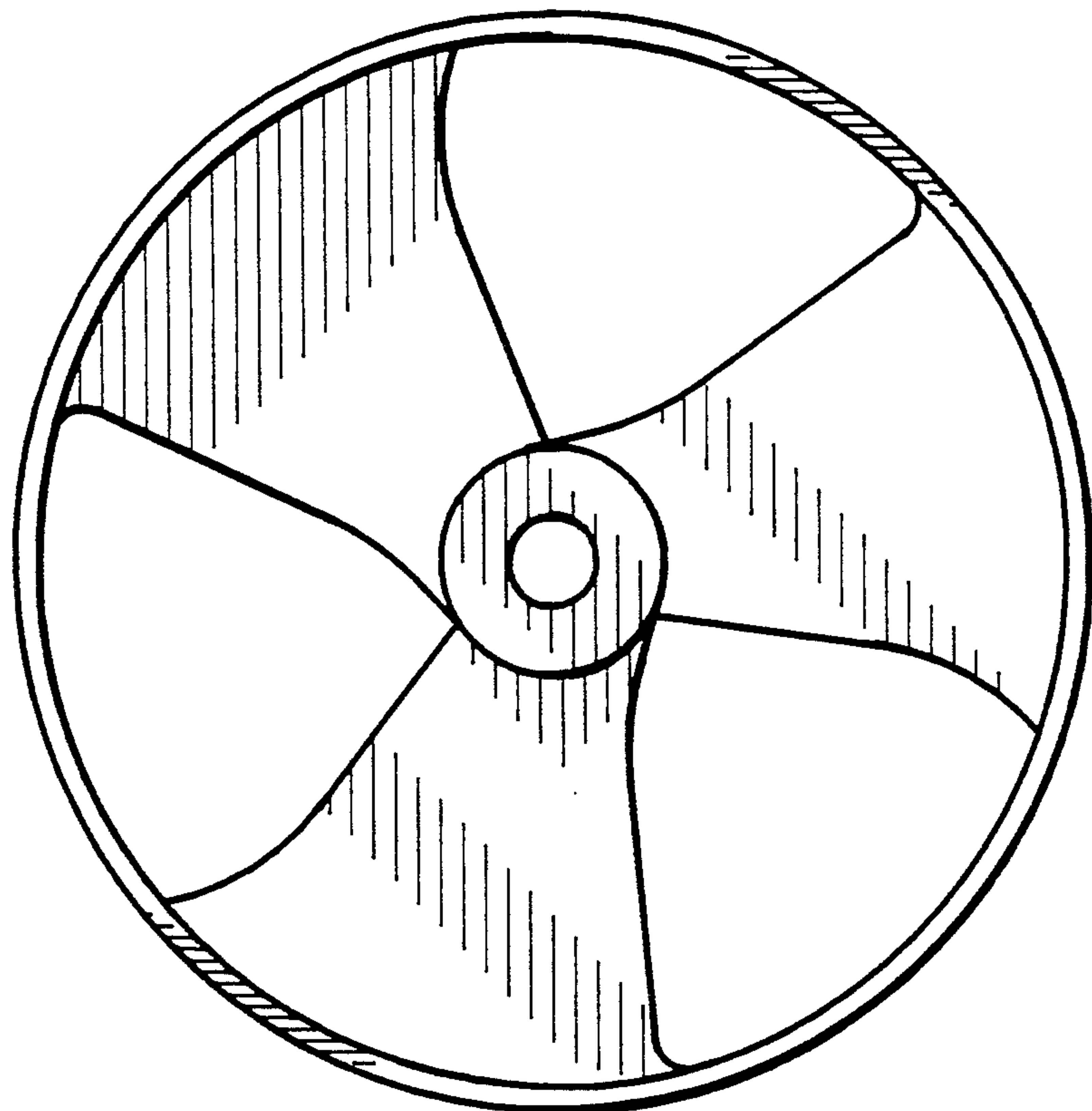


Fig. 6

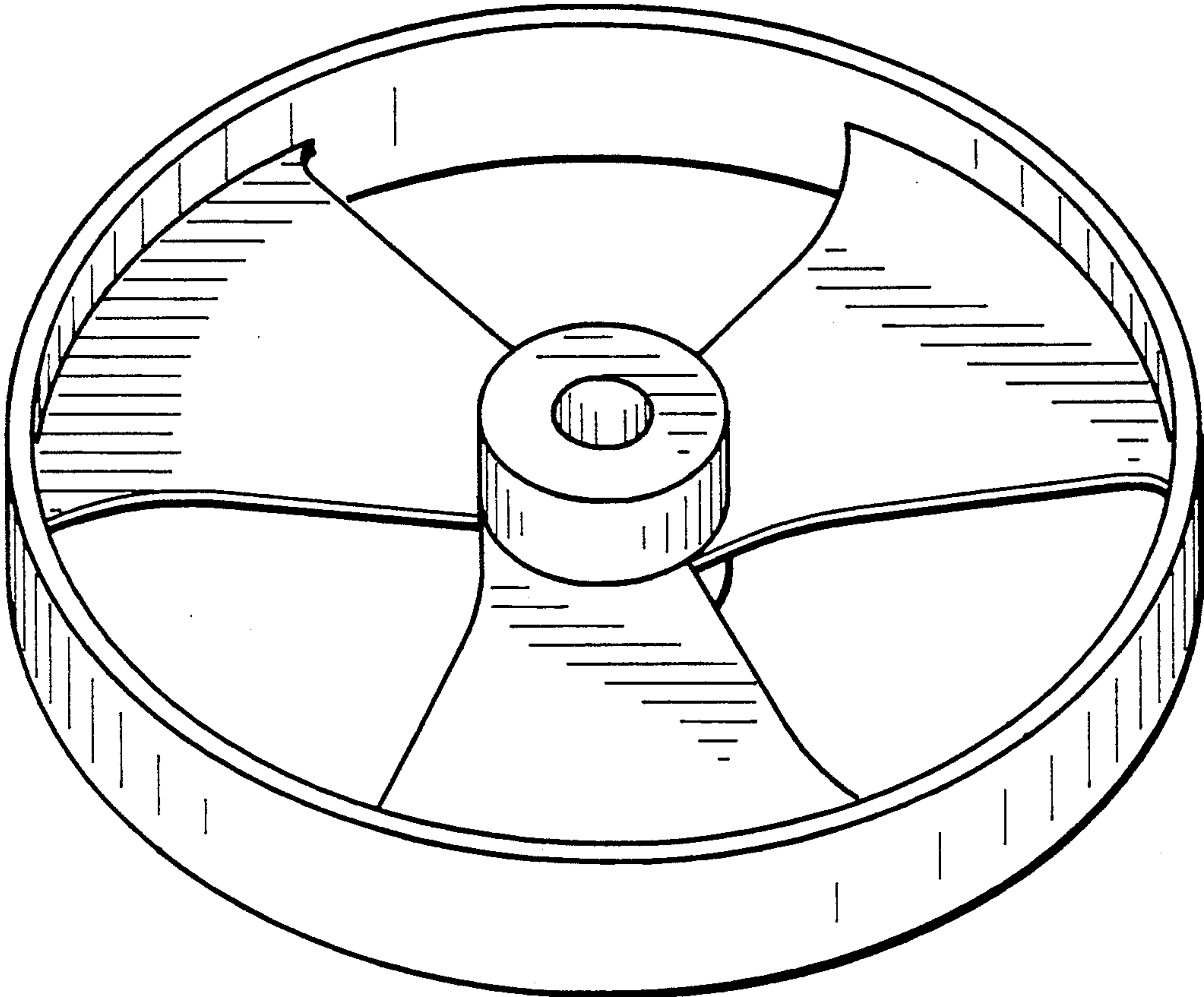


Fig. 7

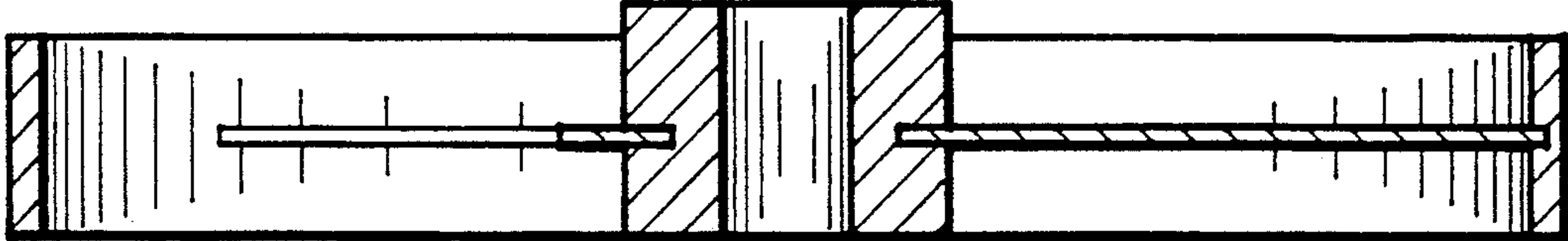


Fig. 8