



US00D326457S

United States Patent [19]

[11] Patent Number: **Des. 326,457**

Pink et al.

[45] Date of Patent: **** May 26, 1992**

[54] SNOW THROWER

[75] Inventors: **Anthony N. Pink, Shakopee; Floyd Niskanen, Golden Valley, both of Minn.**

[73] Assignee: **The Toro Company, Minneapolis, Minn.**

[**] Term: **14 Years**

[21] Appl. No.: **765,476**

[22] Filed: **Sep. 25, 1991**

Related U.S. Application Data

[63] Continuation of Ser. No. 294,143, Jan. 6, 1989, abandoned.

[52] U.S. Cl. **D15/11**

[58] Field of Search **D15/10-12; 37/244, 248, 251, 257-260, 262**

[56] References Cited

U.S. PATENT DOCUMENTS

- D. 262,797 1/1982 Arthur et al. D15/12
- D. 269,092 5/1983 Davies D15/12
- 2,642,680 6/1953 Curtis et al. .
- 3,452,460 7/1969 Cope et al. .
- 3,548,522 12/1970 Roper .

- 3,603,008 9/1971 Heth .
- 4,294,027 10/1981 Edwards 37/262
- 4,295,285 10/1981 Stevens .
- 4,325,195 4/1982 Comer .
- 4,694,594 9/1987 Thorud et al. .

OTHER PUBLICATIONS

International Harvester Snow Removal Equipment Catalog, p. 2, top right of page.
Toro Guide to Snowthrowers, p. 10, "Snow Pup" upper left.

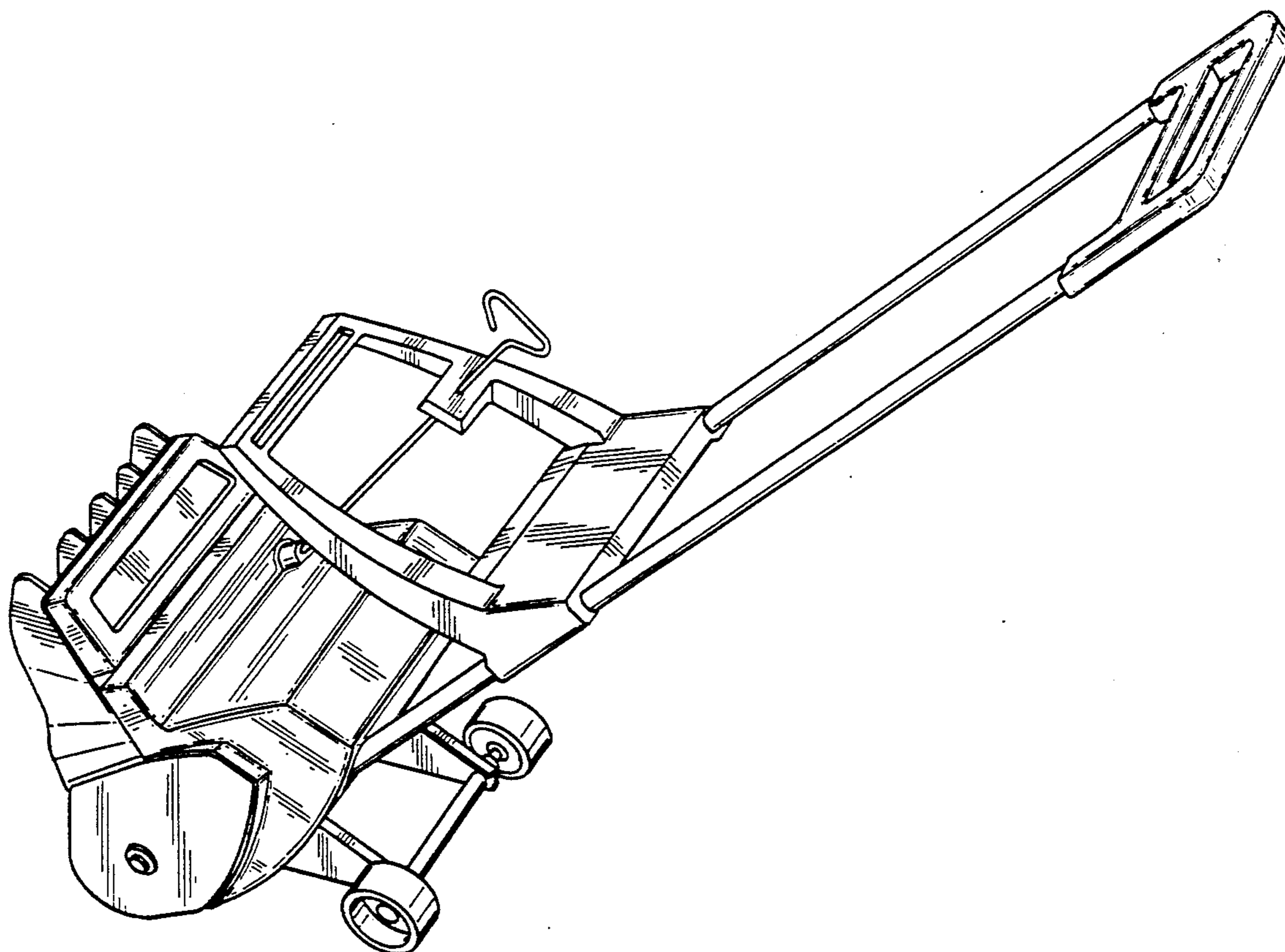
Primary Examiner—Bernard Ansher
Assistant Examiner—Sandra Morris
Attorney, Agent, or Firm—R. Lawrence Buckley

[57] CLAIM

The ornamental design for a snow thrower, as shown and described.

DESCRIPTION

FIG. 1 is a perspective view of a snow thrower, showing our new design;
FIG. 2 is a front elevational view thereof;
FIG. 3 is a right side elevational view thereof; the left side being a mirror image;
FIG. 4 is a rear elevational view thereof;
FIG. 5 is a top plan view thereof; and,
FIG. 6 is a bottom plan view thereof.



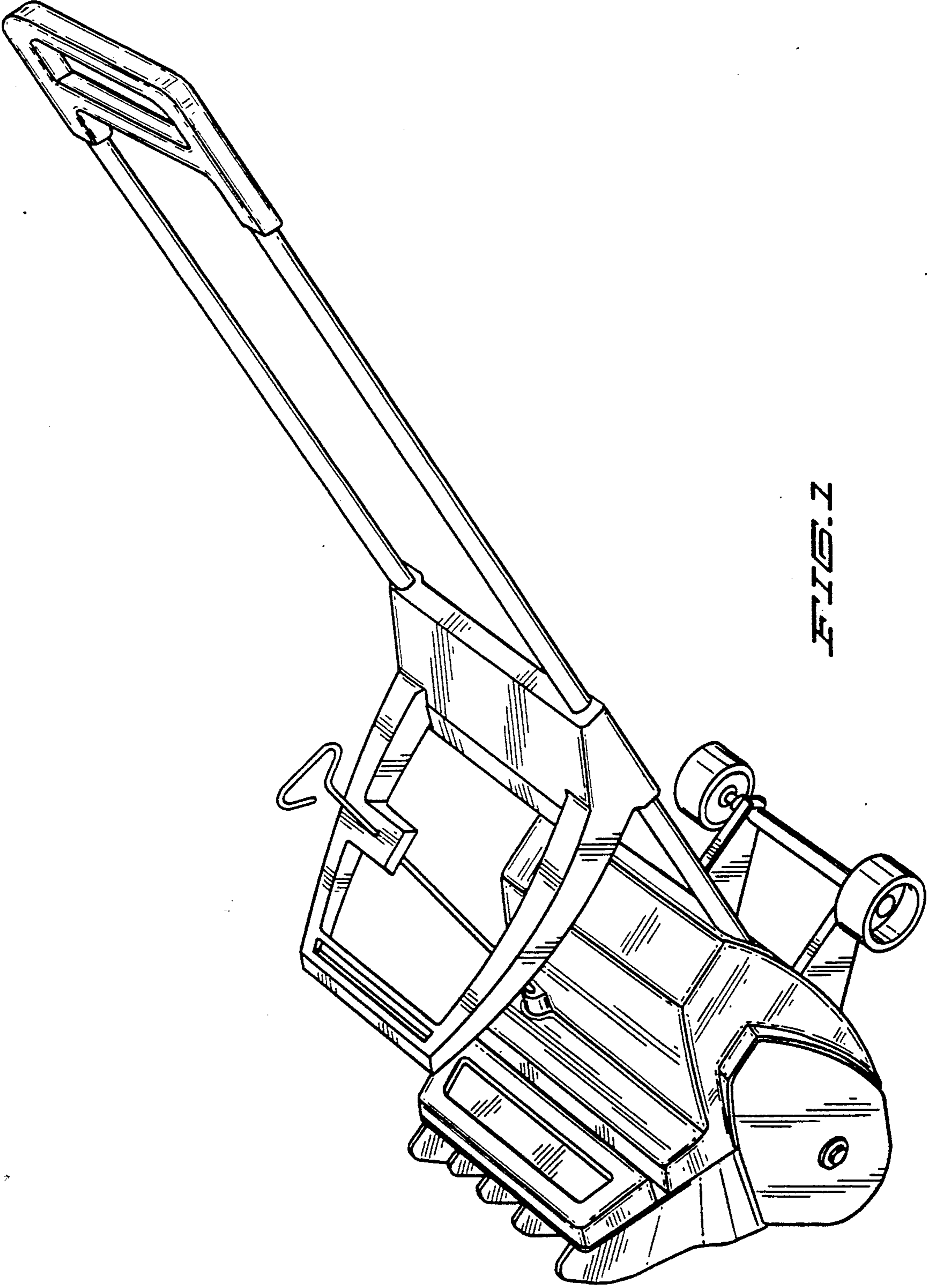


FIG. 1

