



US00D326456S

United States Patent [19]
Hahn

[11] **Patent Number: Des. 326,456**
[45] **Date of Patent: ** May 26, 1992**

- [54] **REGRESSED SPEAKER GRILLE**
- [75] Inventor: **Richard Hahn, Richmond Heights, Mo.**
- [73] Assignee: **PRS, Inc., St. Louis, Mo.**
- [**] Term: **14 Years**
- [21] Appl. No.: **374,641**
- [22] Filed: **Jun. 26, 1989**
- [52] U.S. Cl. **D14/219**
- [58] Field of Search **D14/204, 207-216, D14/219-224; 181/144, 148, 150, 157, 199; 381/86-88, 90, 158, 203**

D. 255,234 6/1980 Wellward et al. D14/209

OTHER PUBLICATIONS

Stereo Review, Dec. 1987, p. 14, Bottom left—OWI model 2300-FX.

Primary Examiner—Theodore M. Shooman
Attorney, Agent, or Firm—Grace J. Fishel

[57] **CLAIM**

The ornamental design for a regressed speaker grille, as shown and described.

DESCRIPTION

FIG. 1 is a bottom and front perspective view of a regressed speaker grille showing my new design; FIG. 2 is a bottom plan view thereof; FIG. 3 is a side elevational view thereof, rotated 180 degrees from FIG. 1; and, FIG. 4 is a top plan view thereof.

[56] **References Cited**
U.S. PATENT DOCUMENTS

- D. 242,151 11/1976 Wellward et al. D14/209
- D. 247,562 3/1978 Walker et al. D14/209

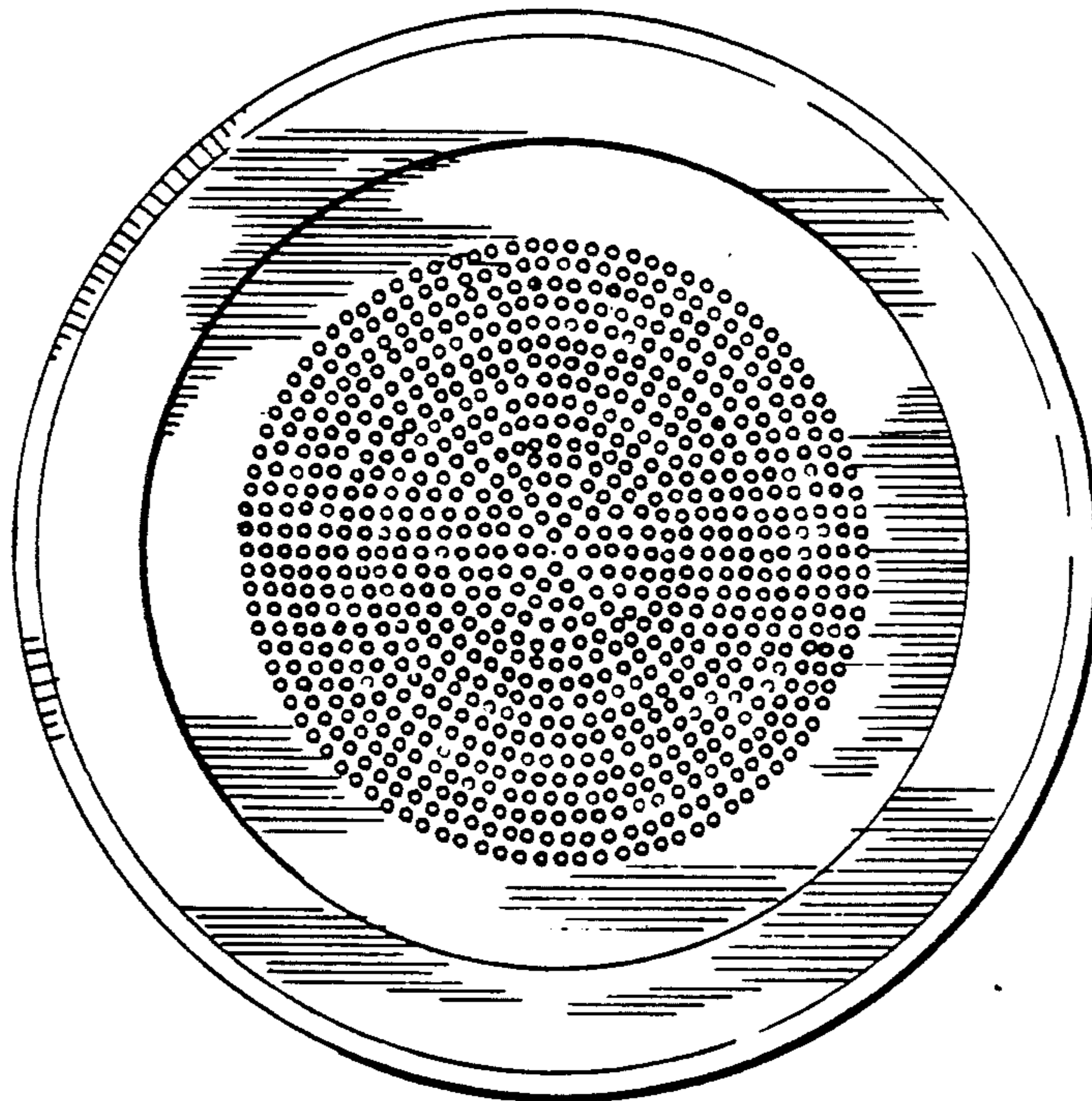
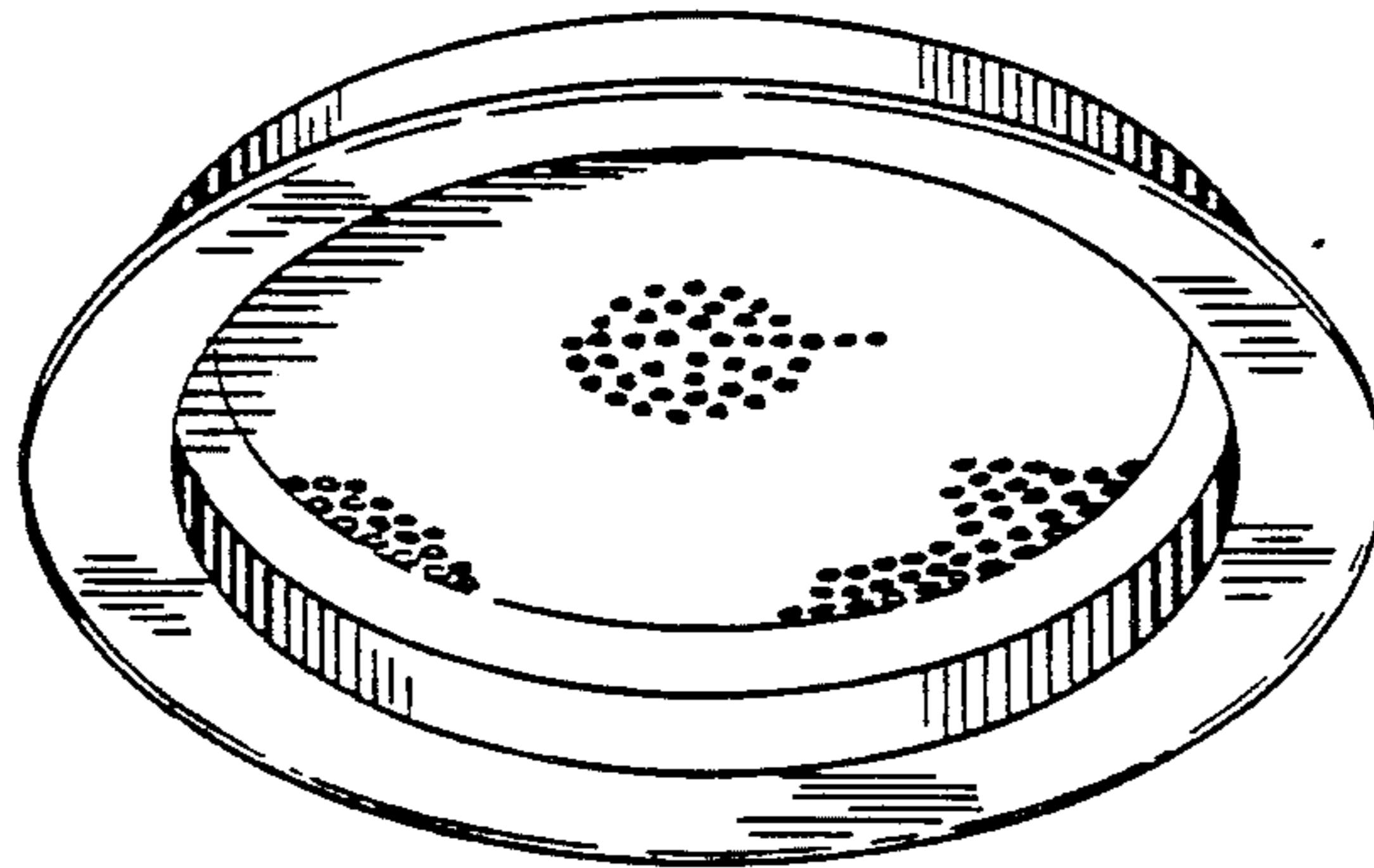


FIG. 1

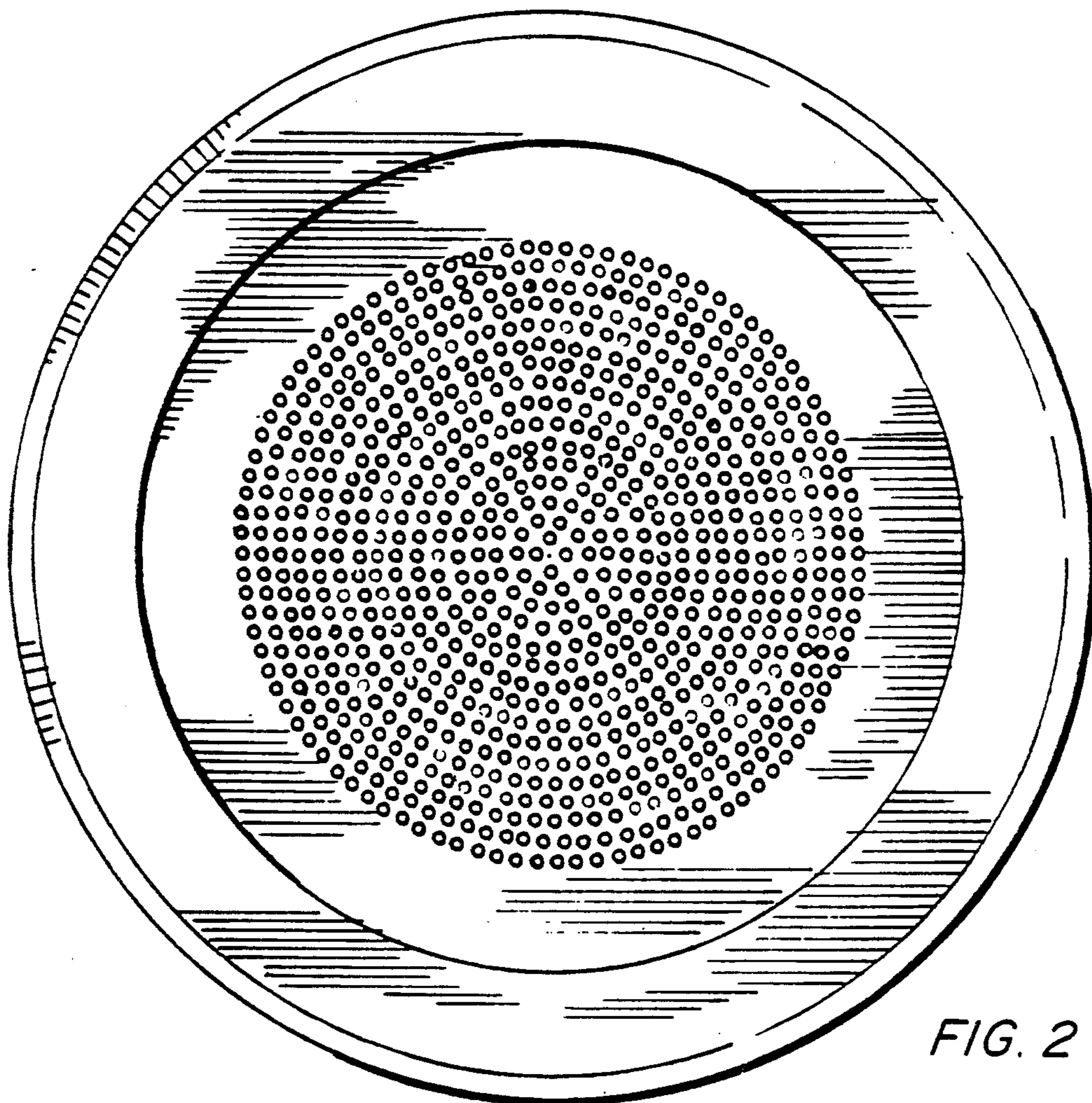
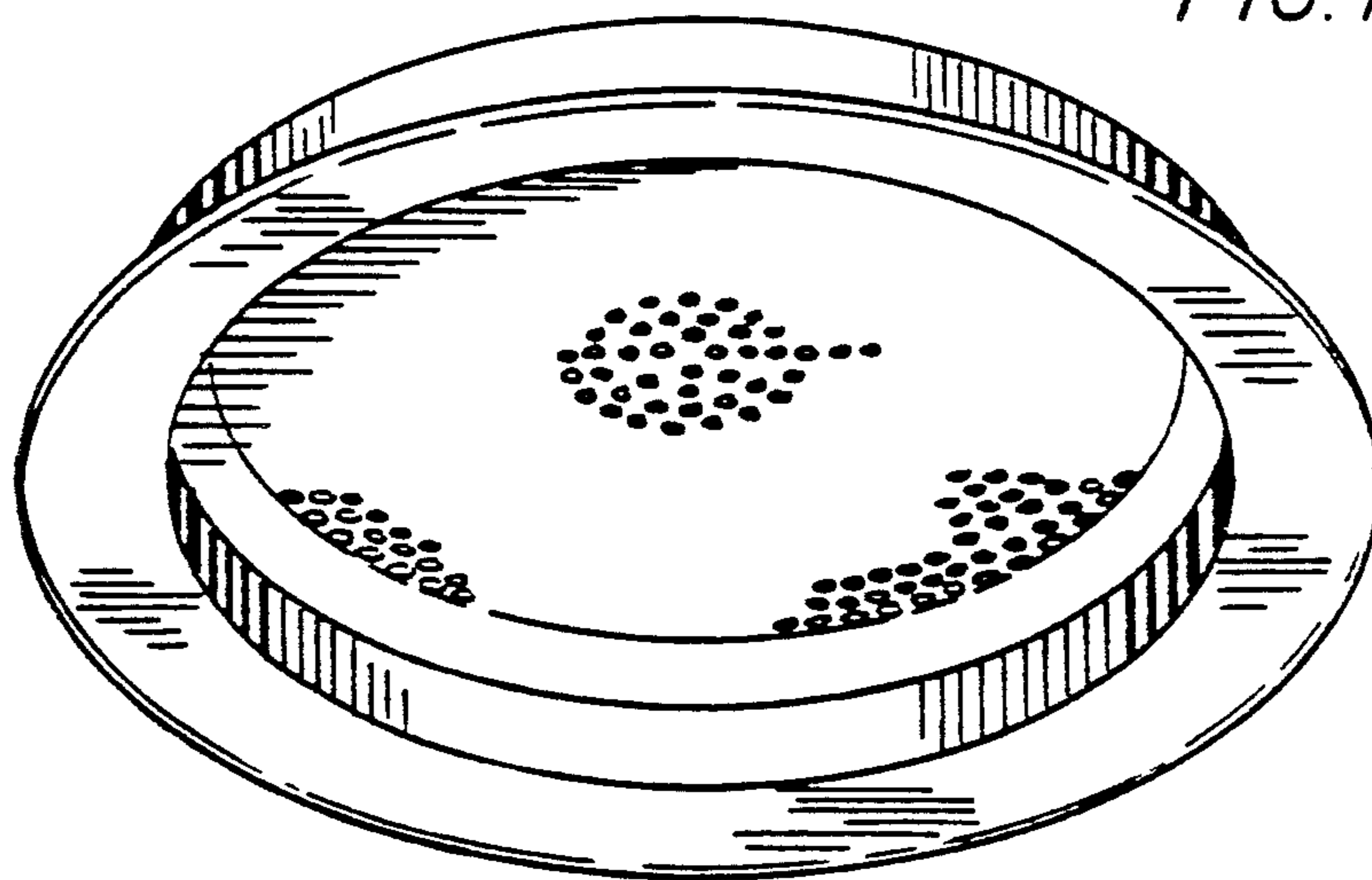


FIG. 2

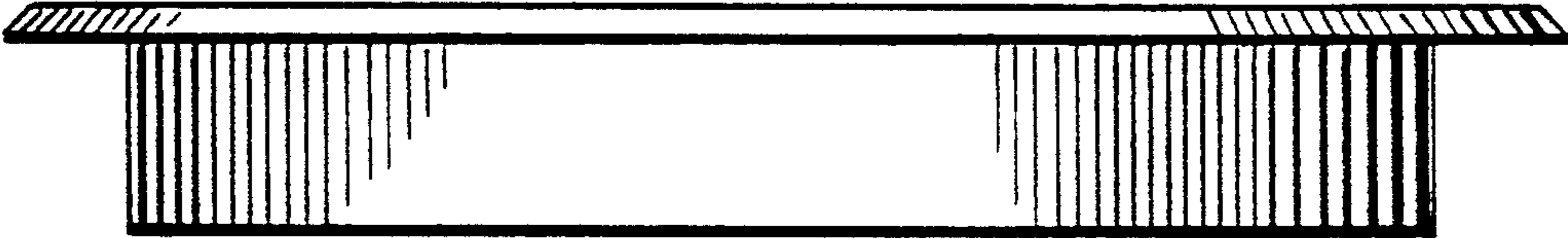


FIG. 3

FIG. 4

