



US00D326453S

United States Patent [19]

[11] Patent Number: Des. 326,453

Hayashi

[45] Date of Patent: ** May 26, 1992

[54] COMBINED TUNER AND TAPE DECK

[75] Inventor: Ryozo Hayashi, Osaka, Japan

[73] Assignee: Sharp Corporation, Osaka, Japan

[**] Term: 14 Years

[21] Appl. No.: 428,756

[22] Filed: Oct. 27, 1989

[52] U.S. Cl. D14/162; D14/164

[58] Field of Search D14/135, 154, 160-162, D14/164, 188, 260; 455/344, 350-351

[56] **References Cited**

U.S. PATENT DOCUMENTS

- D. 248,467 7/1978 Usami D14/164
- D. 250,759 1/1979 Asai D14/164

OTHER PUBLICATIONS

Stereo Review, Jun. 1988, p. 79, cassette deck.

Primary Examiner—Terry A. Pfeffer
Attorney, Agent, or Firm—Flehr, Hohbach, Test, Albritton & Herbert

[57] **CLAIM**

The ornamental design for a combined tuner and tape deck, as shown and described.

DESCRIPTION

FIG. 1 is a perspective view of an enlarged scale-combined tuner and tape deck showing the new design with the cassette holder open;

FIG. 2 is a front elevational view thereof;

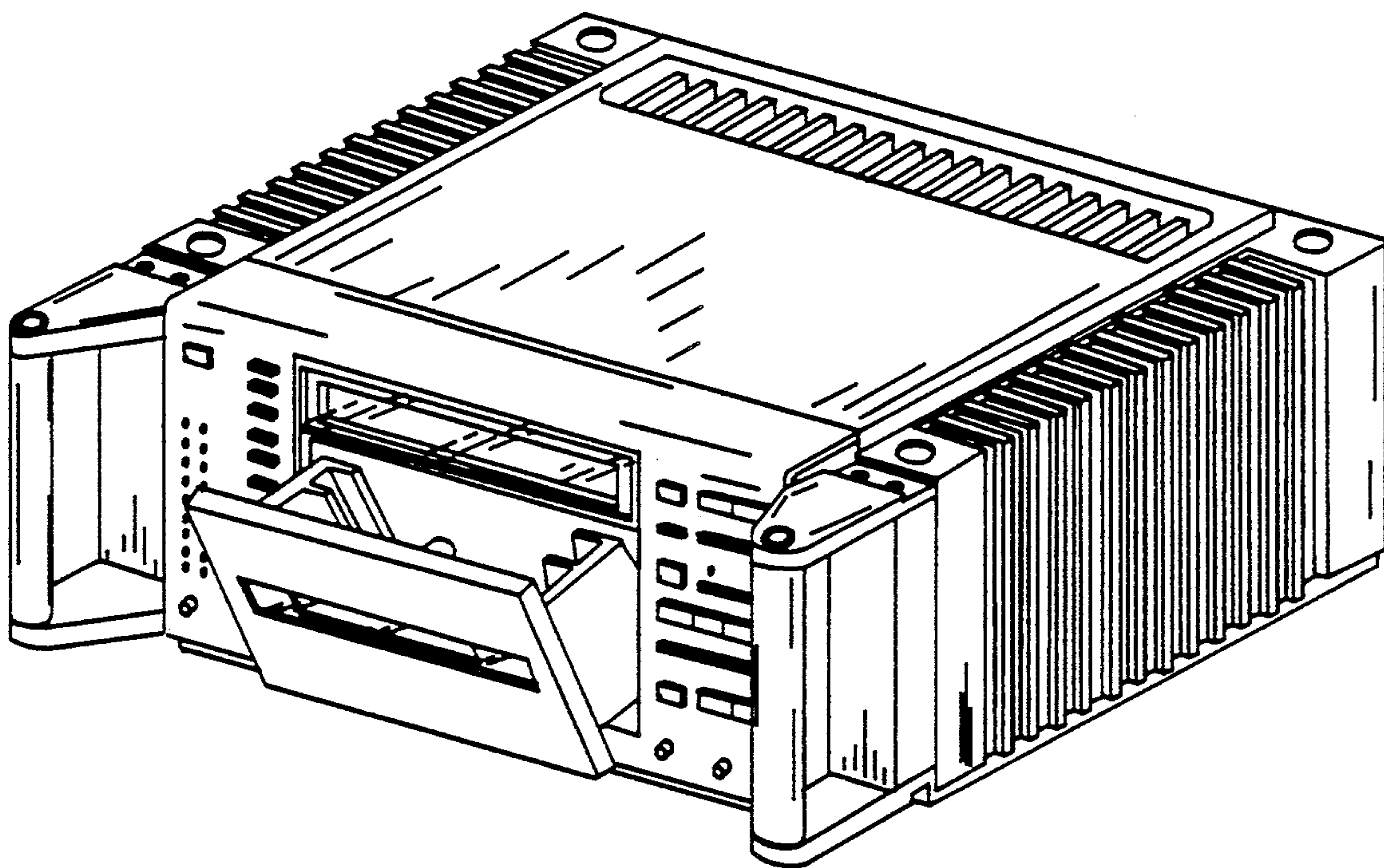
FIG. 3 is a rear elevational view thereof;

FIG. 4 is a top plan view thereof;

FIG. 5 is a bottom plan view thereof;

FIG. 6 is a right side elevational view thereof; and,

FIG. 7 is a left side elevational view thereof.



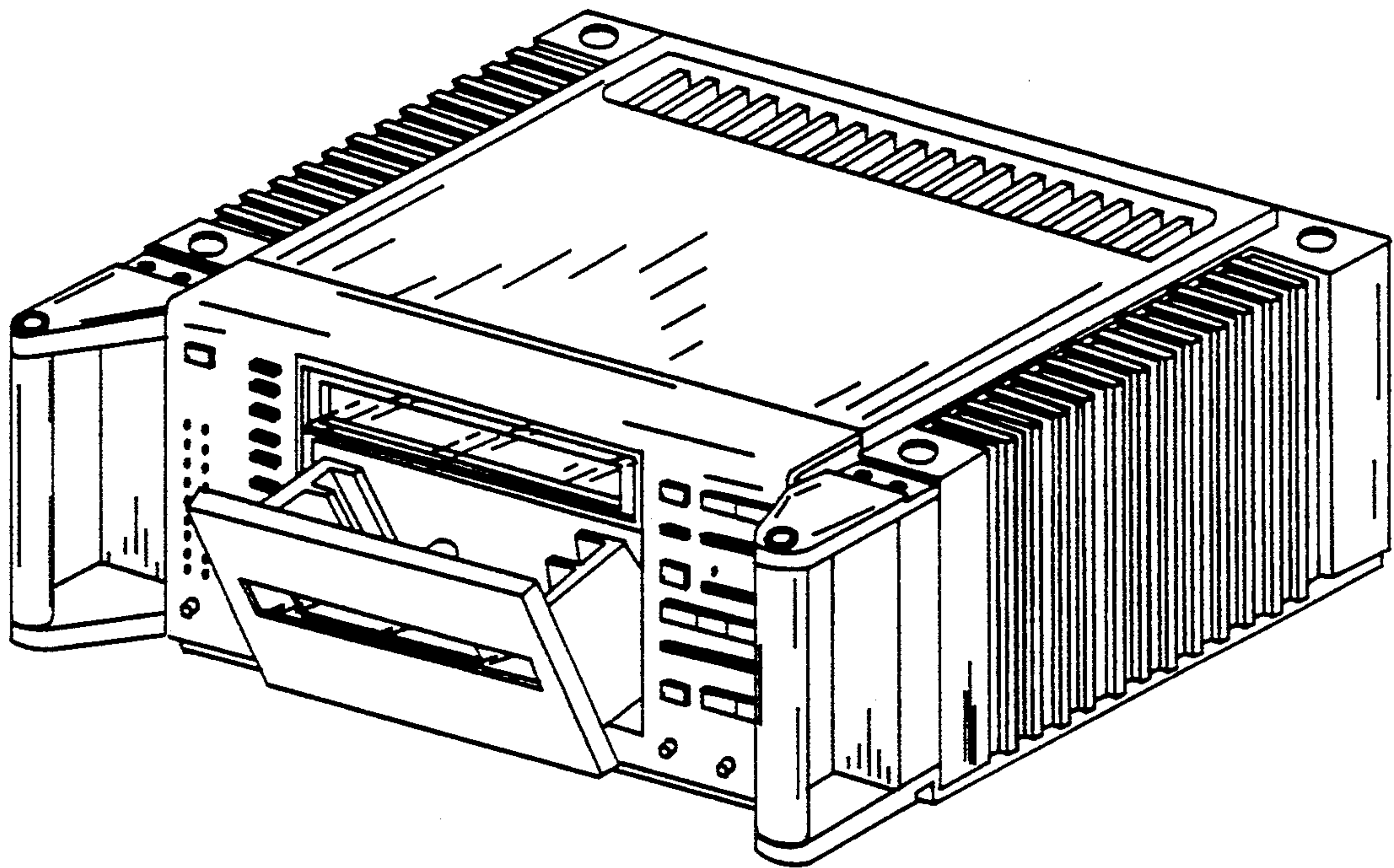


FIG. - 1

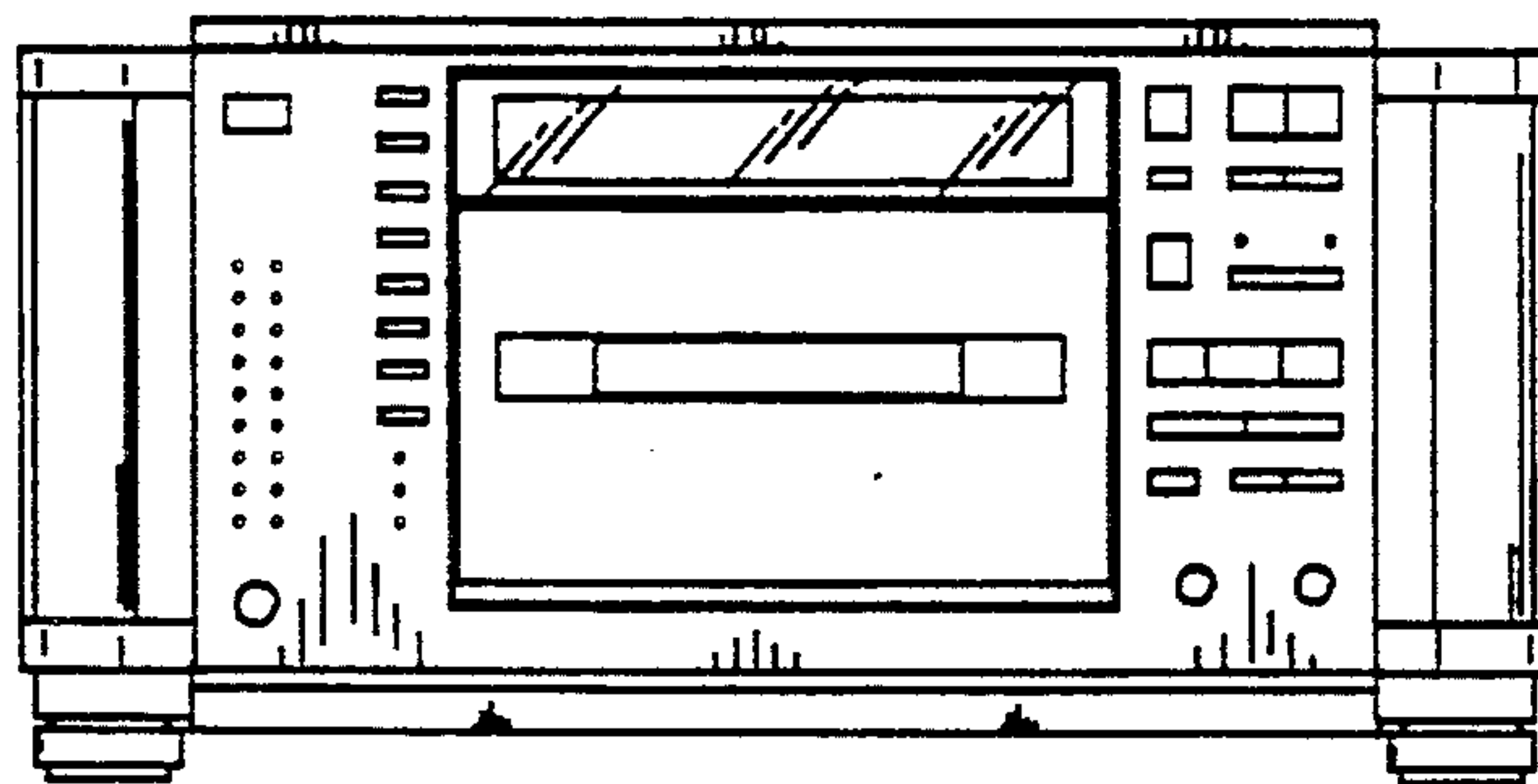


FIG. - 2

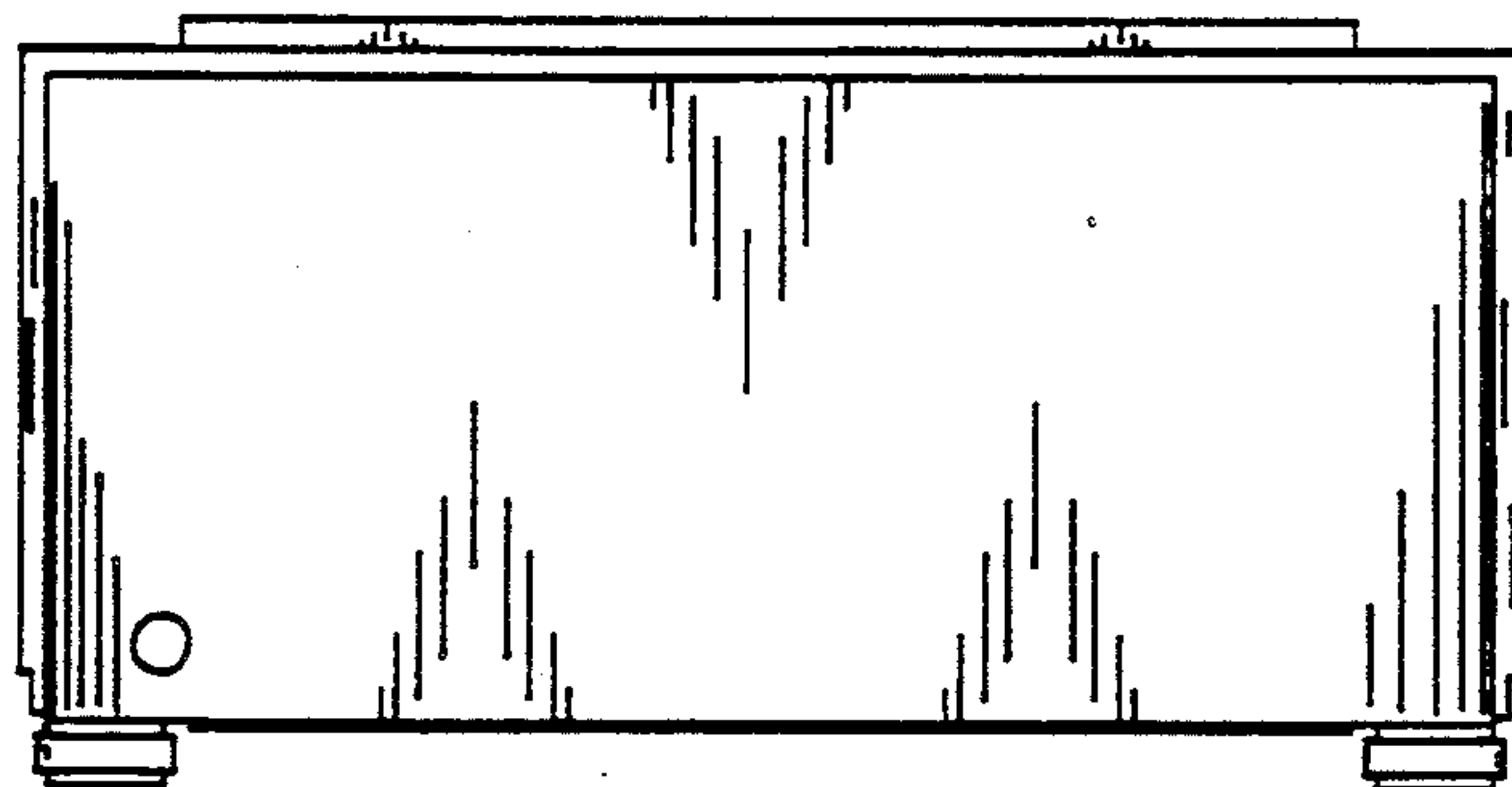


FIG. - 3

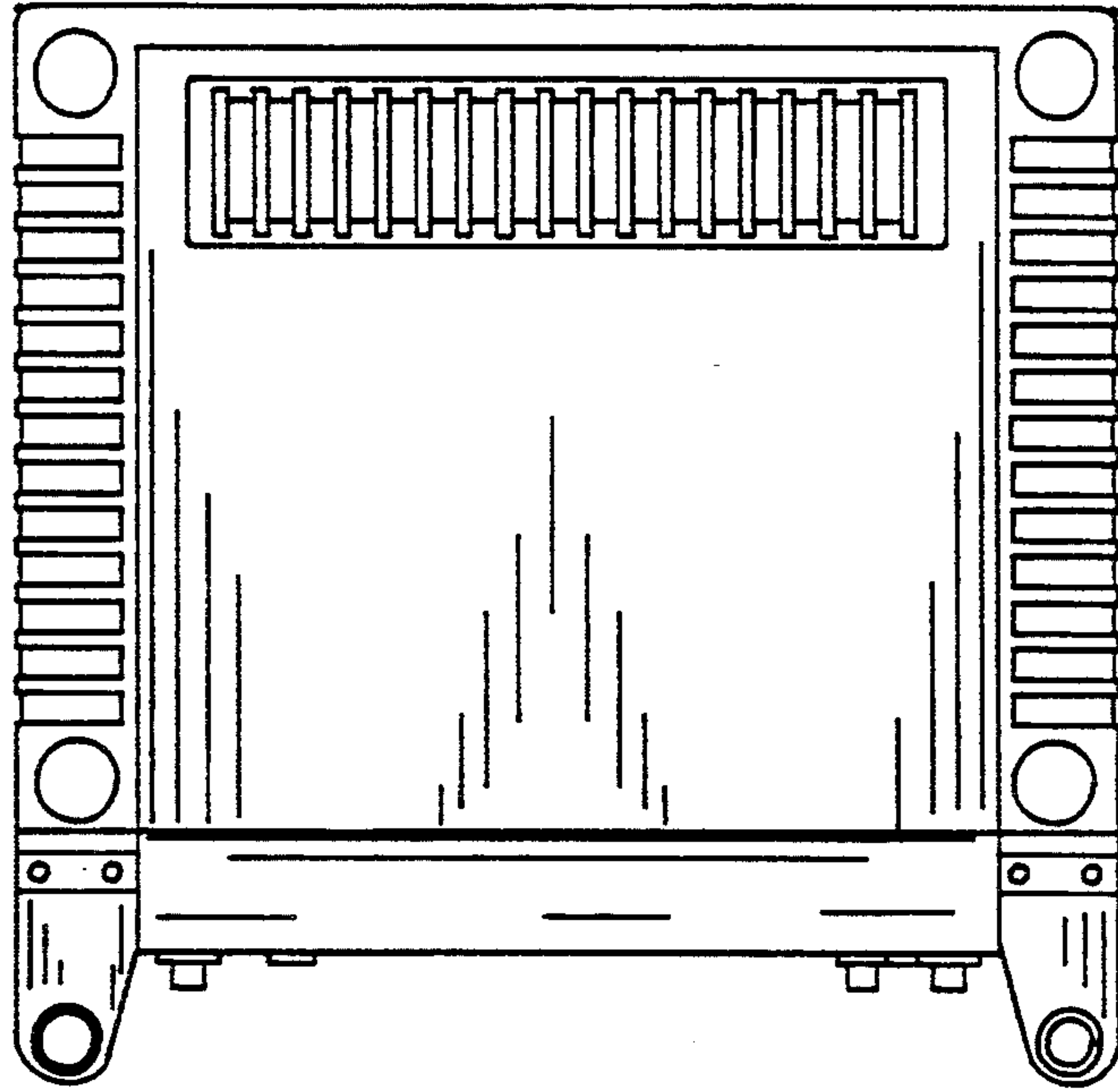


FIG. -4

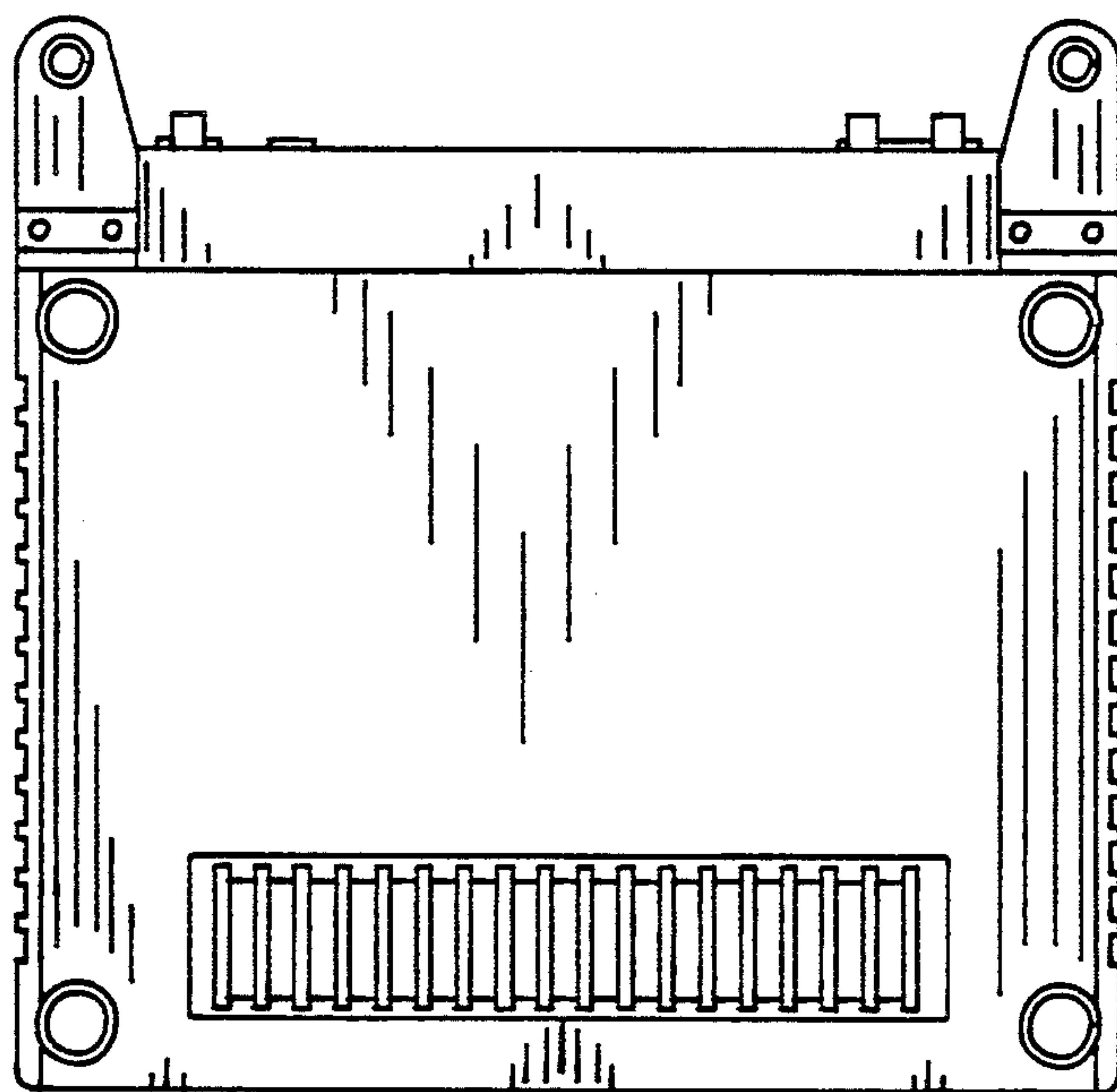


FIG. -5

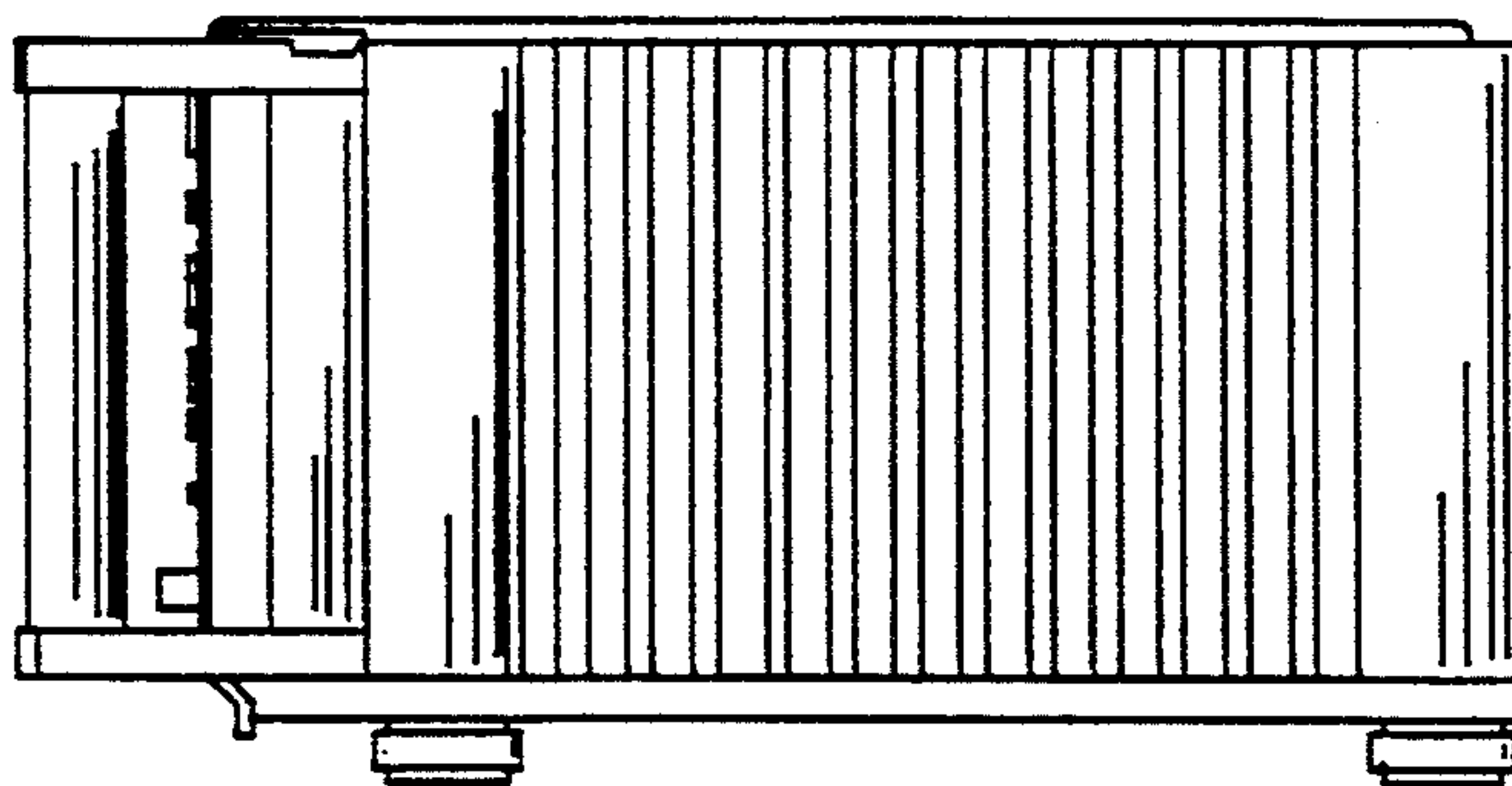


FIG. -6

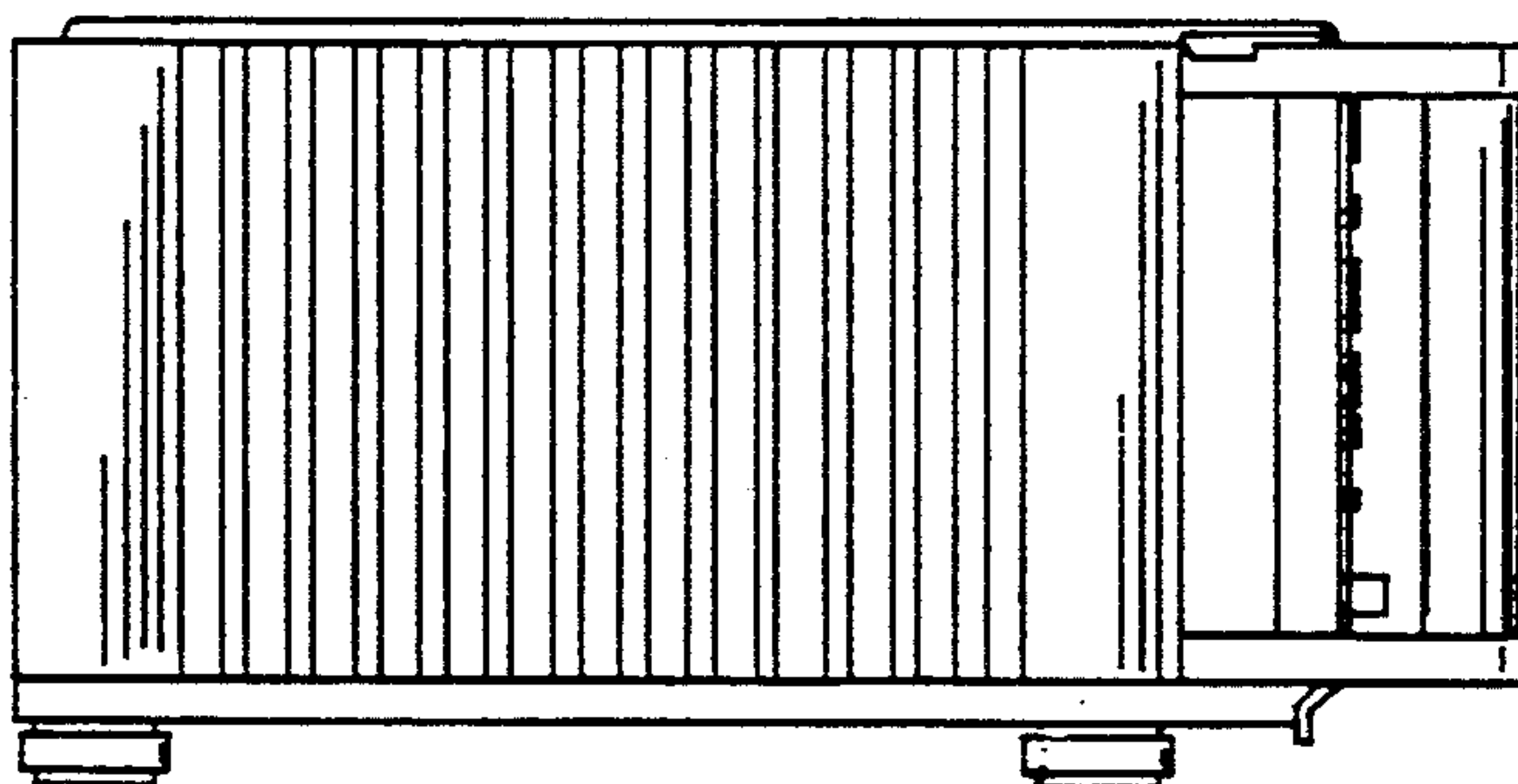


FIG. -7