



US00D326449S

United States Patent [19]

[11] Patent Number: **Des. 326,449**

Wachob et al.

[45] Date of Patent: **** May 26, 1992**

[54] **COMBINATION INTEGRAL REMOTE CONTROL AND CORDLESS HANDSET UNIT TOGETHER WITH A TELEPHONE BASE UNIT WITH AN ANTENNA**

Primary Examiner—Horace B. Fay, Jr.
Attorney, Agent, or Firm—Barry R. Lipsitz

[75] Inventors: **David E. Wachob**, Elkins Park, Pa.;
Charles Curbbun, Huntington Beach, Calif.

[57] **CLAIM**

The ornamental design for a combination integral remote control and cordless handset unit together with a telephone base unit with an antenna, as shown and described.

[73] Assignee: **General Instrument Corporation**, Hatboro, Pa.

DESCRIPTION

[**] Term: **14 Years**

FIG. 1 is a front, top and right side perspective view of a combination integral remote control and cordless handset telephone and its base with an antenna showing our new design;

[21] Appl. No.: **637,747**

FIG. 2 is a top plan view of the integral remote control cordless handset telephone unit;

[22] Filed: **Jan. 7, 1991**

[52] U.S. Cl. **D14/138; D14/147; D14/142; D14/248**

FIG. 3 is a right side elevational view of the integral remote control cordless handset telephone unit; the side opposite being a mirror image;

[58] Field of Search **D14/147, 138, 137, 148, D14/151, 248; D21/111; 379/433, 440, 436**

FIG. 4 is a bottom plan view of the integral remote control cordless handset telephone unit;

[56] **References Cited**

U.S. PATENT DOCUMENTS

D. 243,024	1/1977	Publik	D14/137
D. 253,886	1/1980	Orn	D14/138
D. 277,379	1/1985	Cooke et al.	D14/147
D. 278,053	3/1985	Menn et al.	D14/147
D. 284,663	7/1986	Edwards et al.	D14/138
D. 287,487	12/1986	Sasaki et al.	D14/138
D. 289,896	5/1987	Martensson et al.	D14/138
D. 296,692	7/1988	Besford et al.	D14/138
D. 298,033	10/1988	Hotsumi et al.	D14/138
D. 298,751	11/1988	Shin	D14/138
D. 306,296	2/1991	Hayashi	D14/151
D. 317,483	6/1991	Wiggs et al.	D21/111
D. 319,231	8/1991	Plunkett et al.	D21/111 X
D. 321,184	10/1991	Colida	D14/248 X
4,694,485	9/1987	Iwase	D14/137 X

FIGS. 5 and 6 are respectively top and bottom ends of the integral remote combined and cordless handset telephone unit alone;

FIG. 7 is a right side, top and back side of the integral handset unit alone;

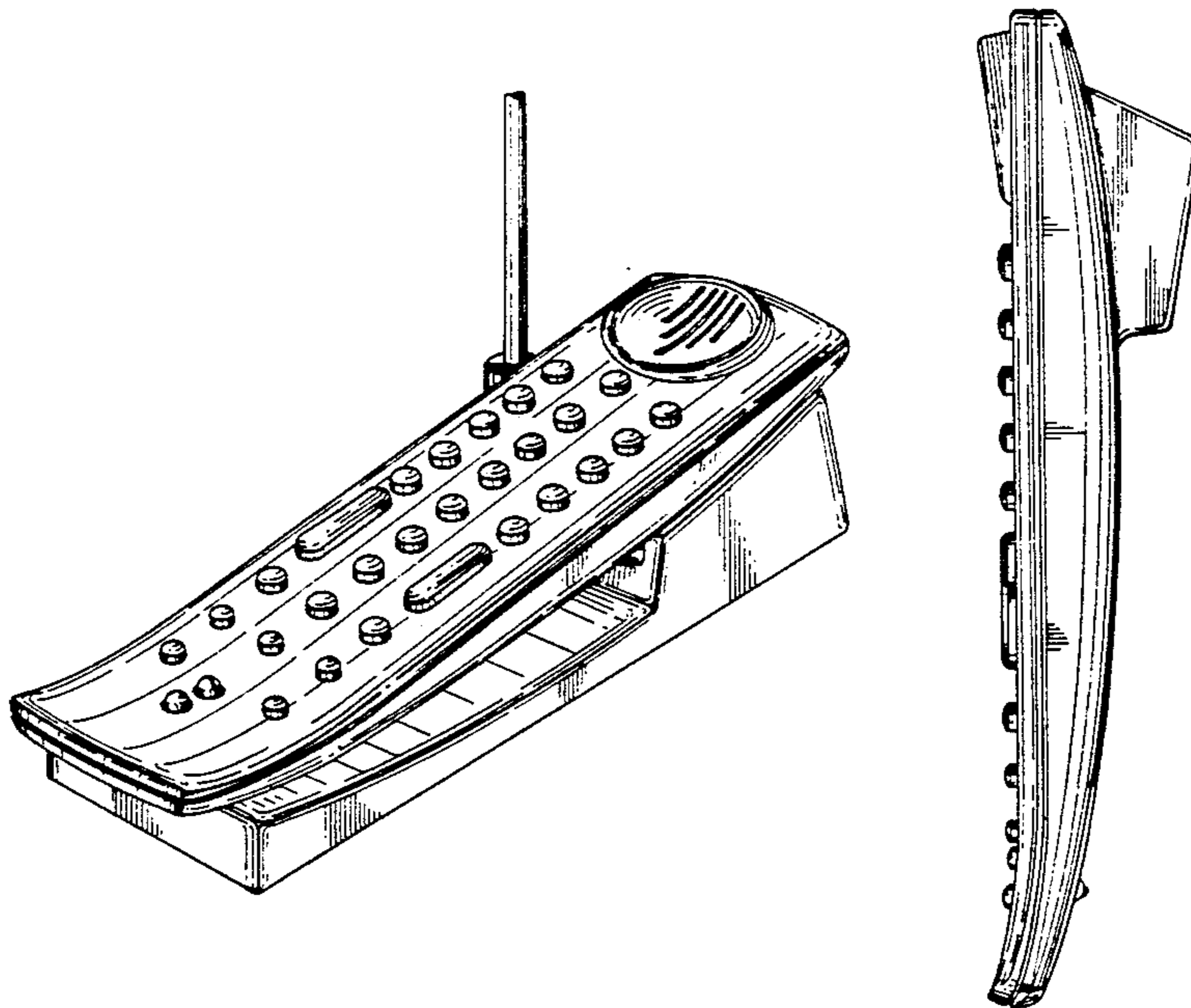
FIGS. 8 and 9 are respectively left and right side elevational views of the base unit alone; with the antenna truncated in FIG. 9;

FIG. 10 is a top plan view of the base unit alone;

FIG. 11 is a front elevational view of the base unit with antenna truncated for convenience;

FIG. 12 is a rear elevational view of the base unit with antenna extended; and,

FIG. 13 is a front, top and right side perspective view of a second embodiment of the integral remote control cordless handset telephone, with the sole difference being a different earpiece.



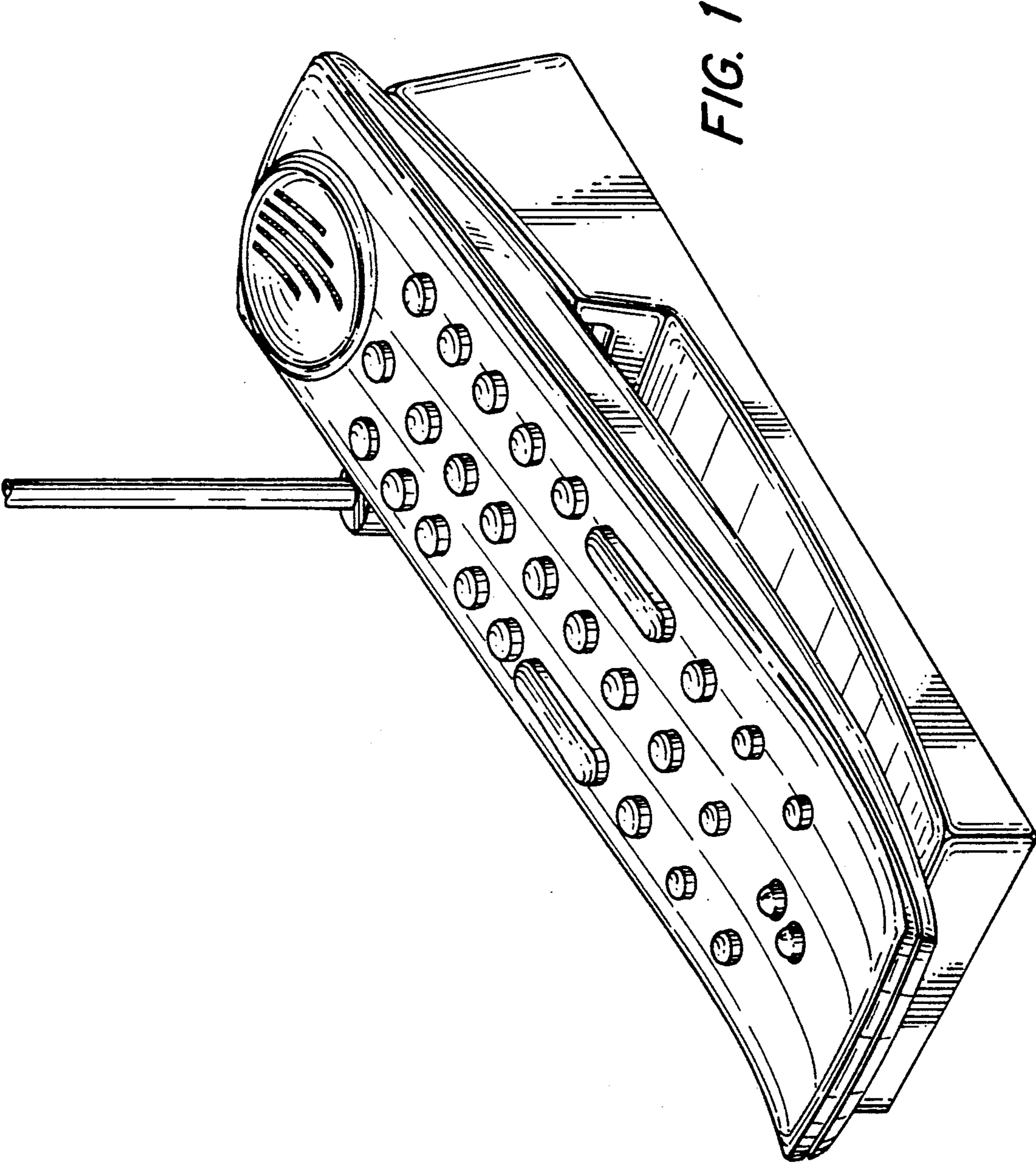


FIG. 1

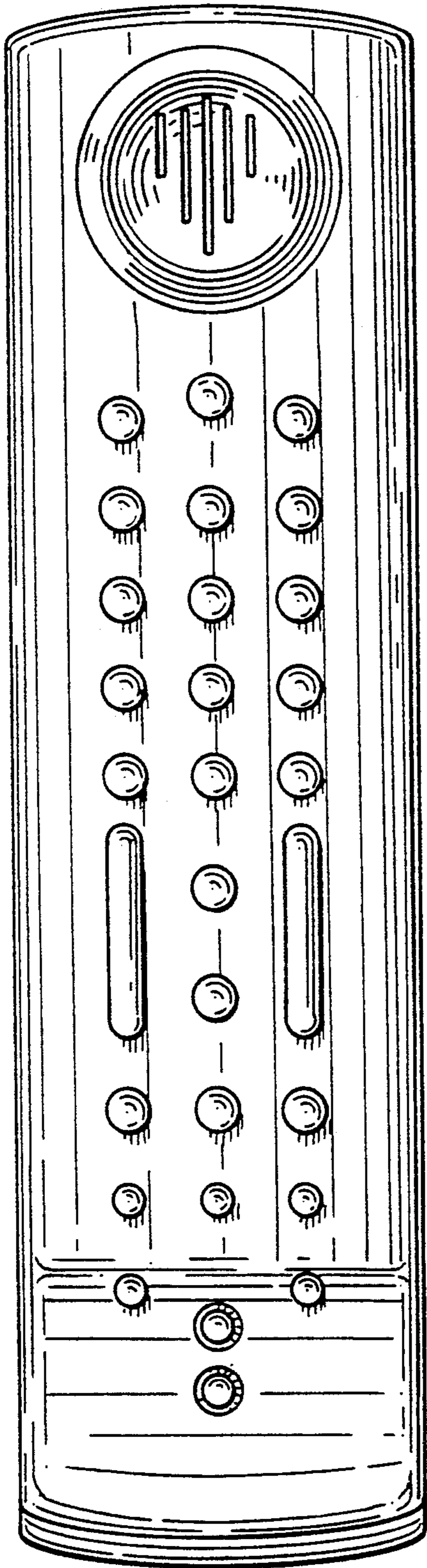


FIG. 2

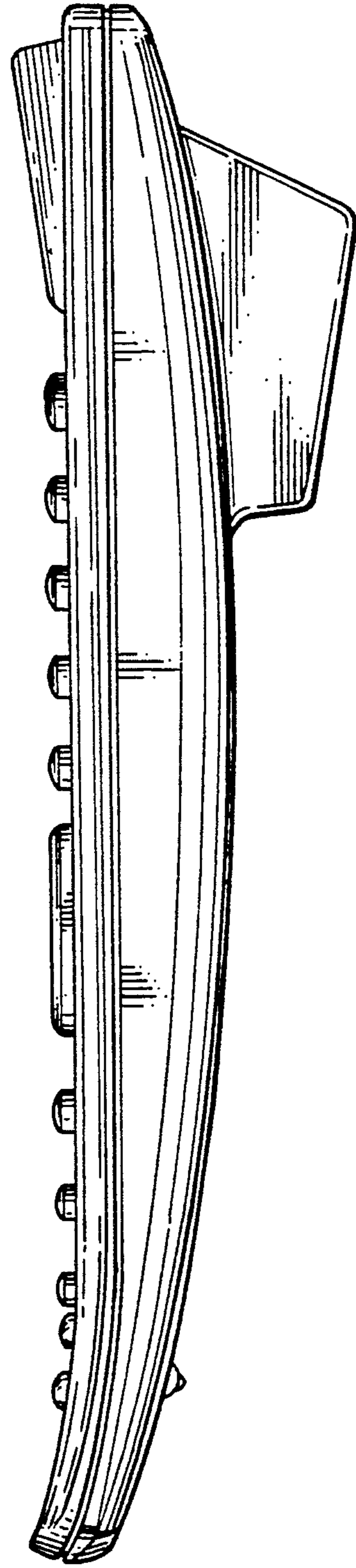


FIG. 3

FIG. 4

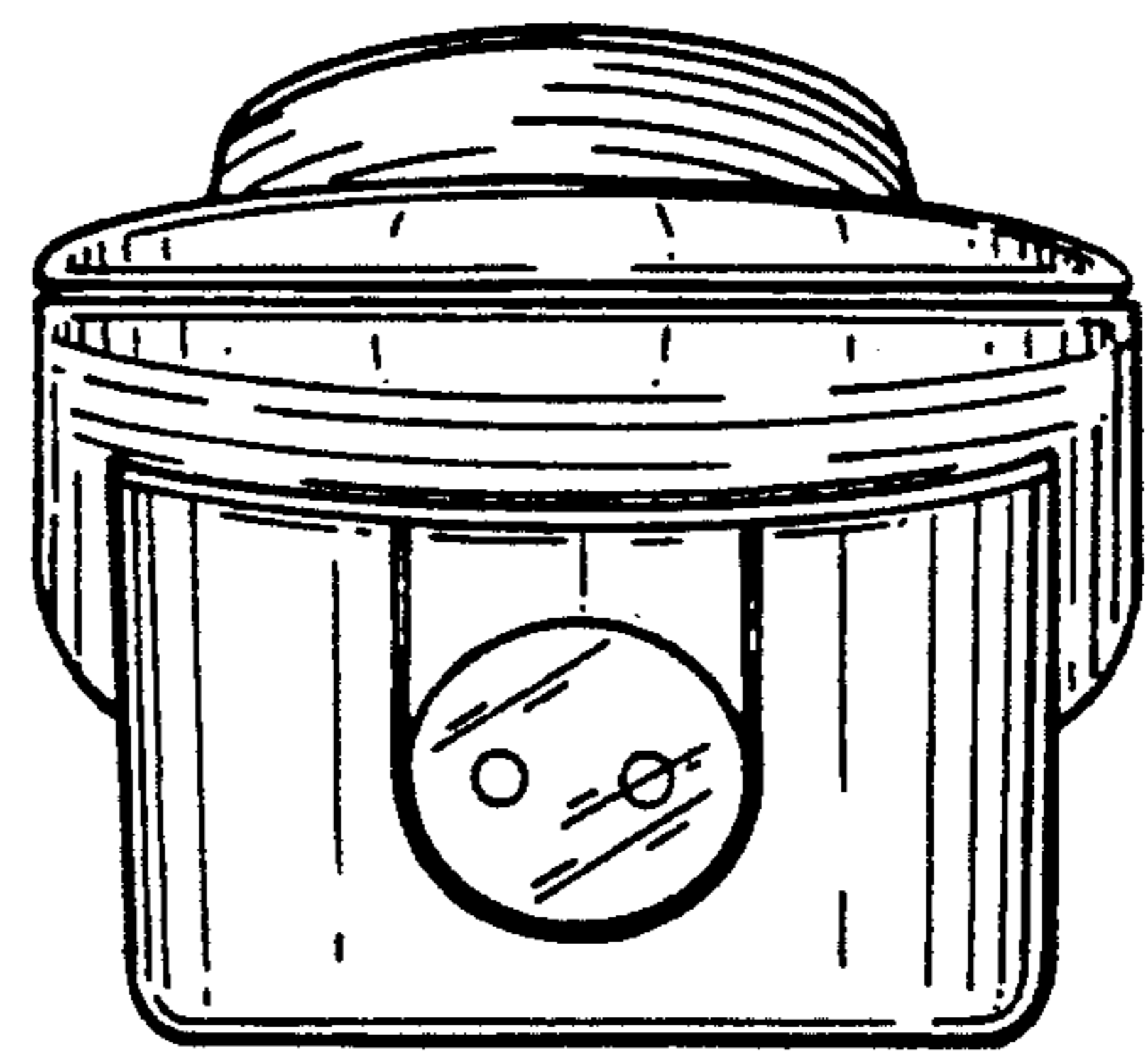
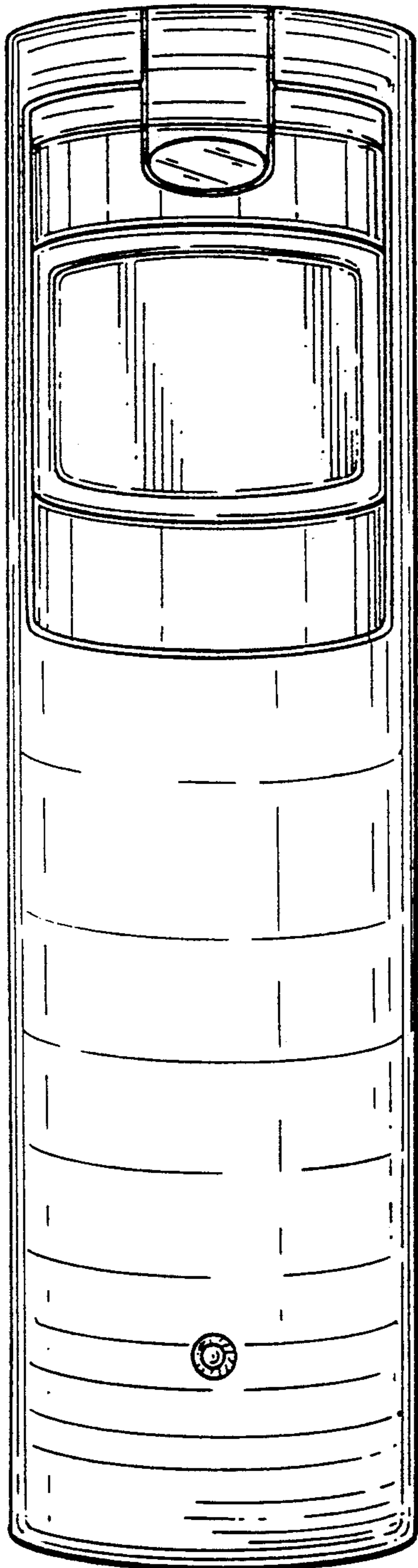


FIG. 5

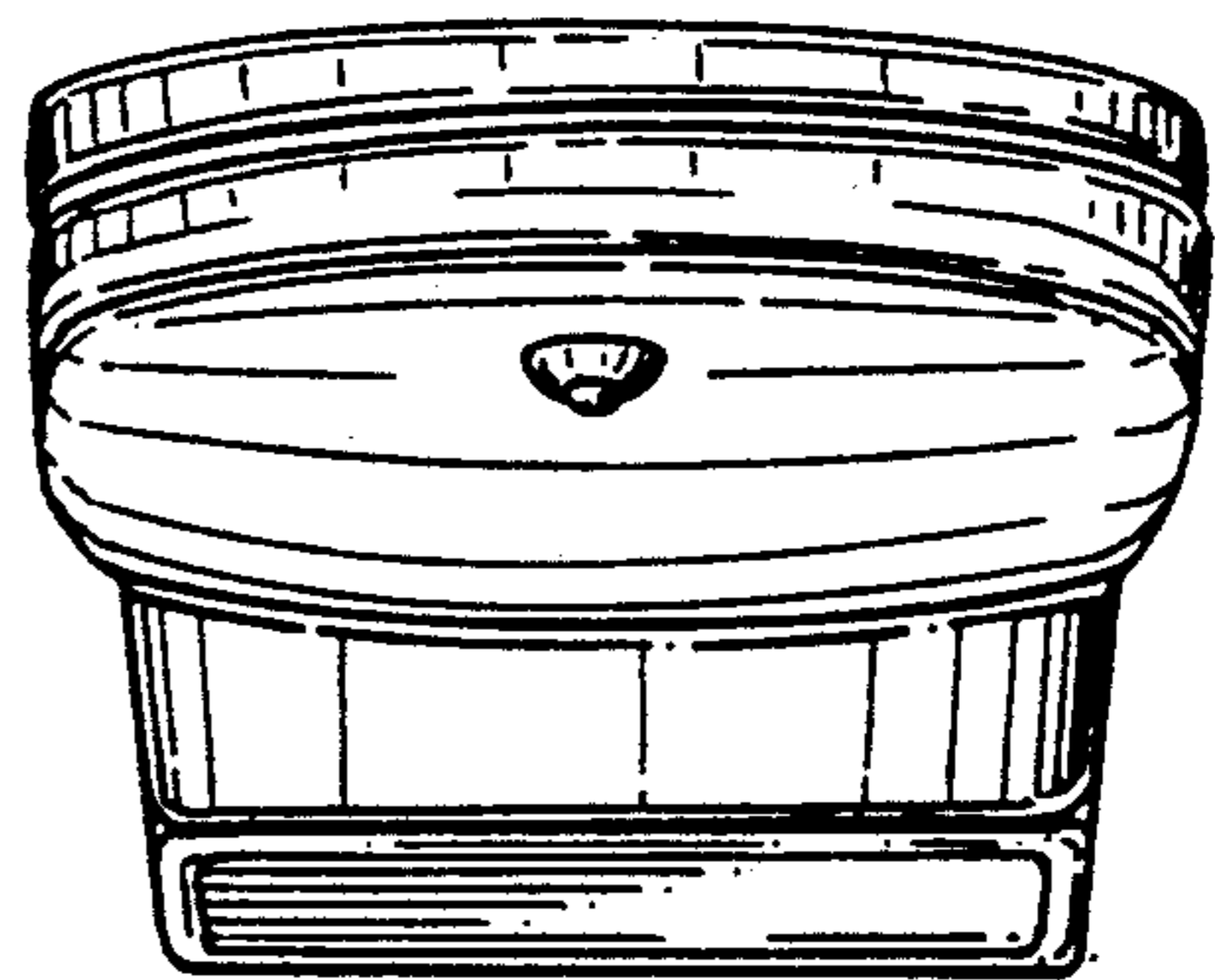


FIG. 6

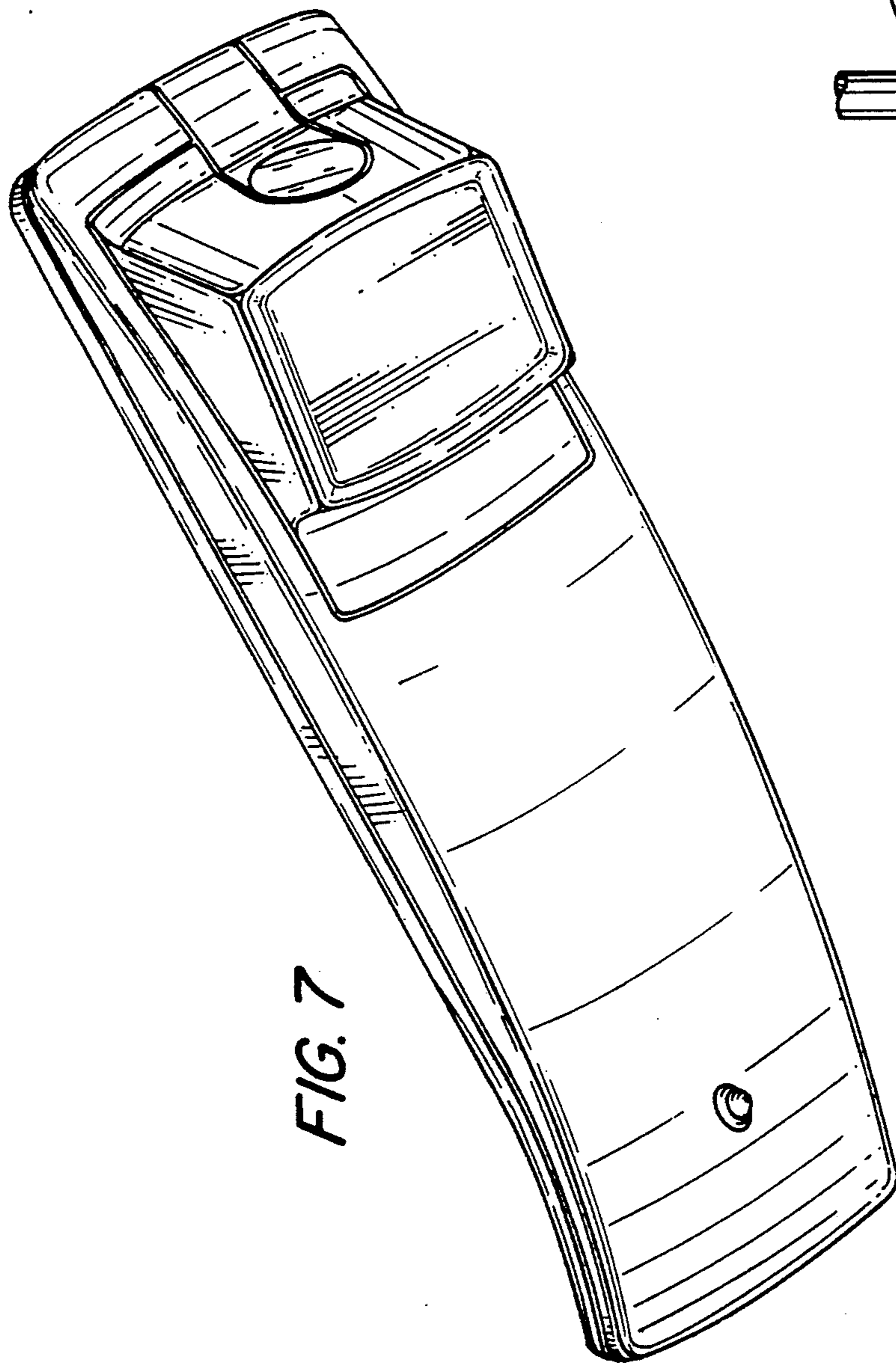


FIG. 7

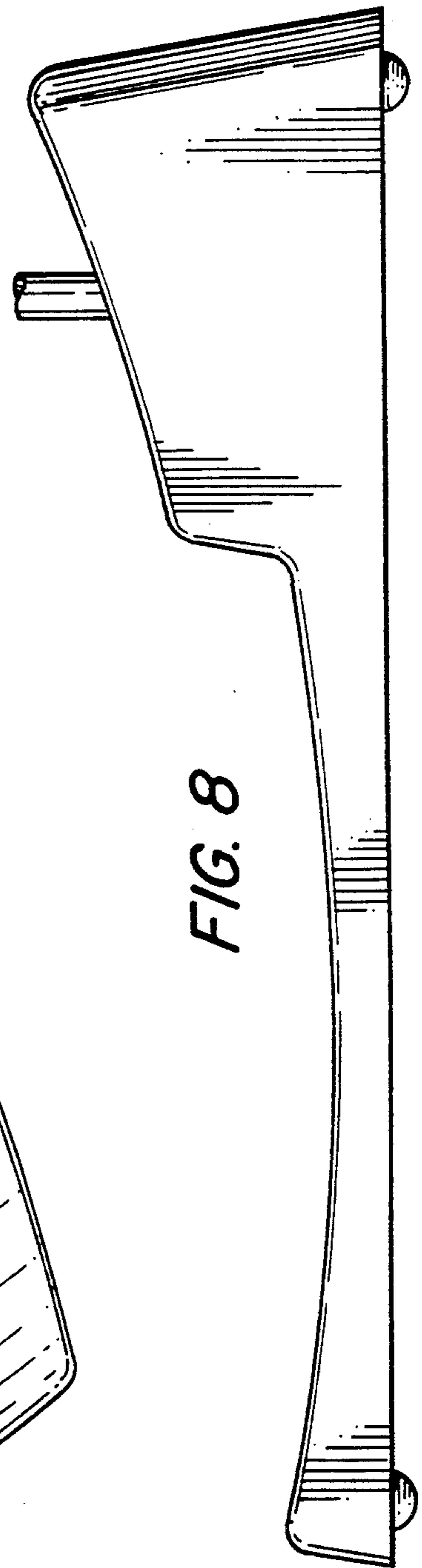


FIG. 8

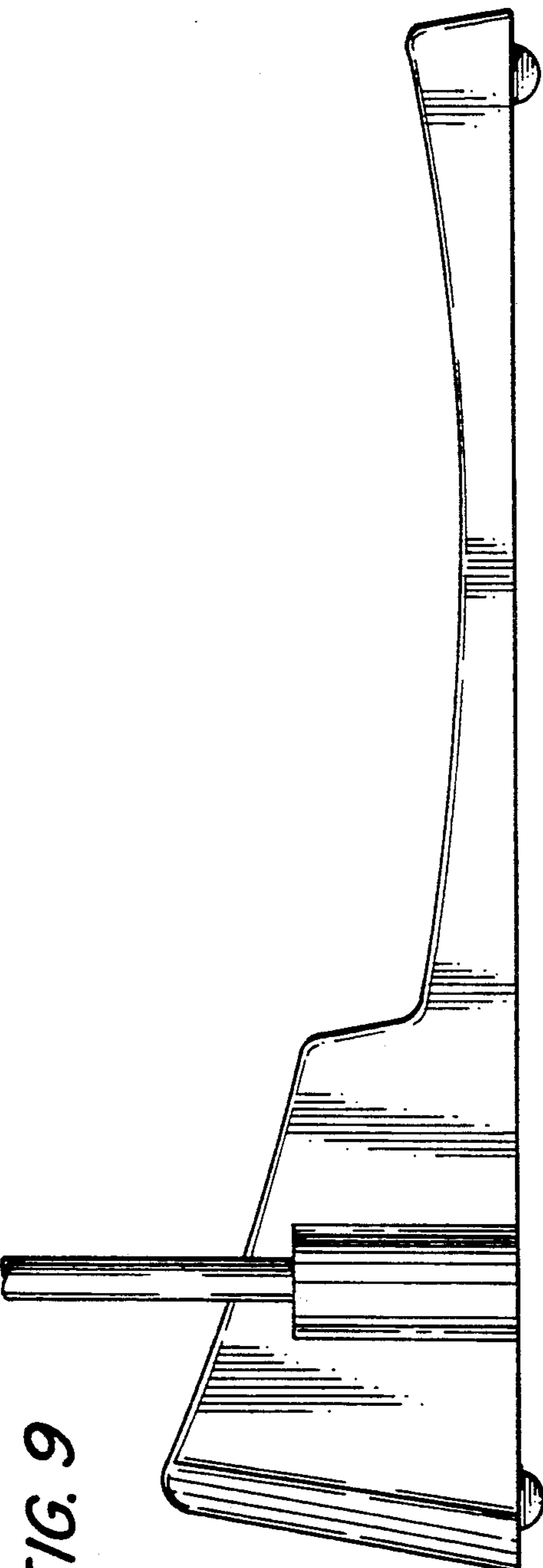


FIG. 9

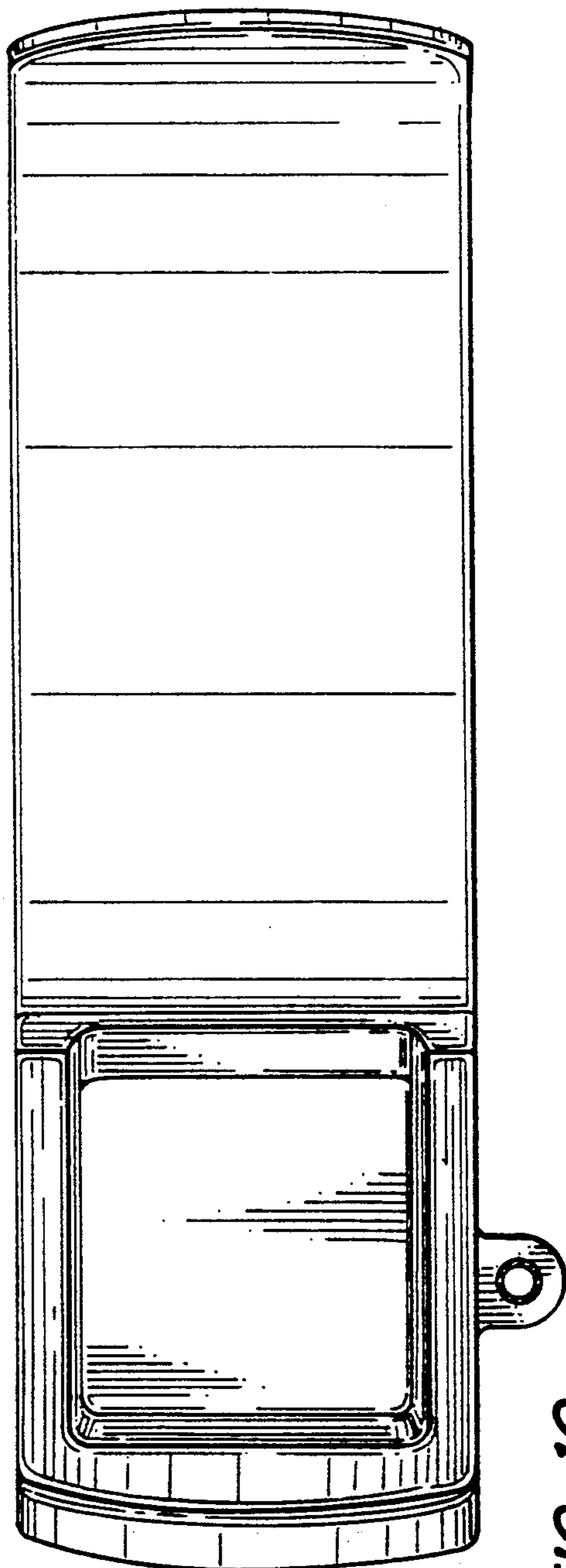


FIG. 10

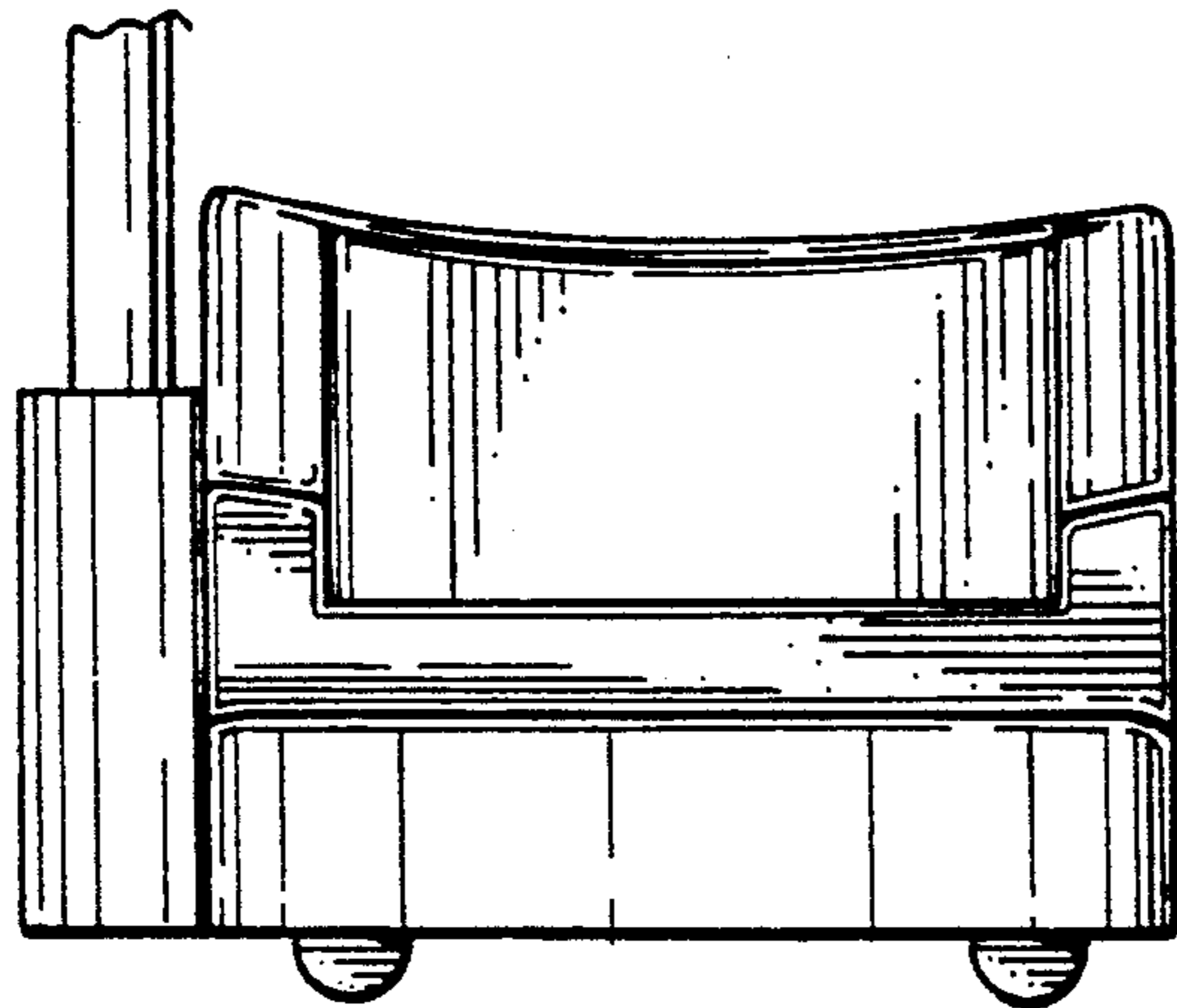


FIG. 11

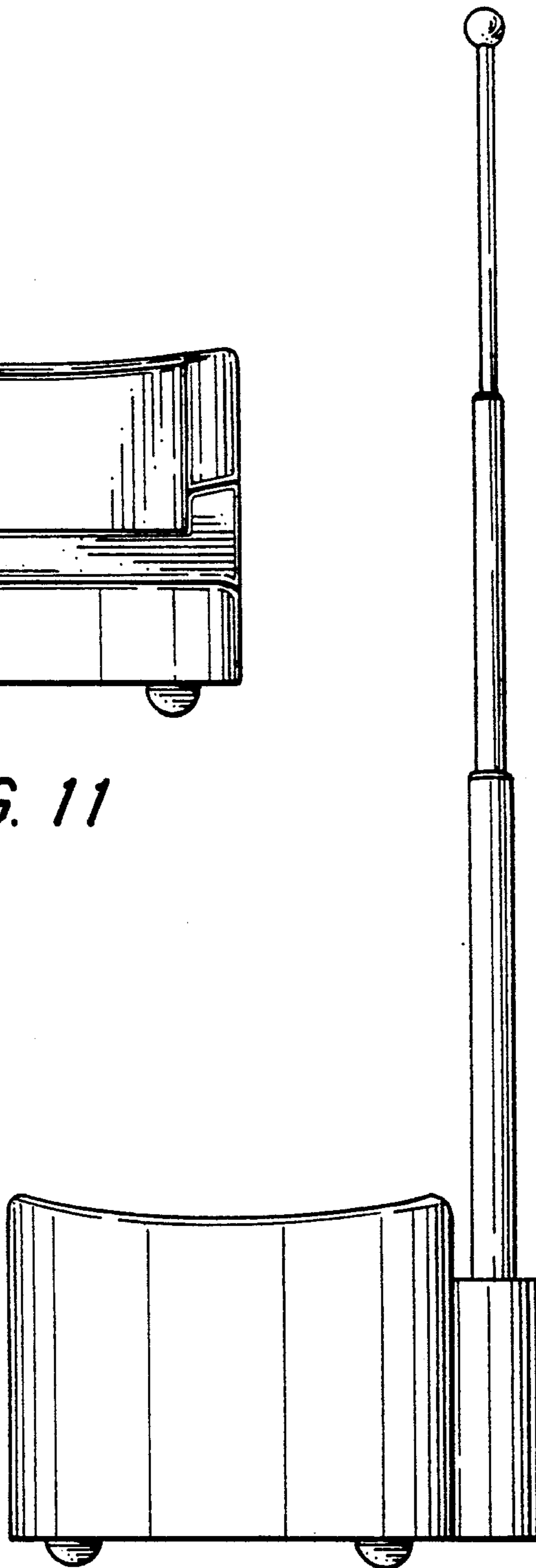


FIG. 12

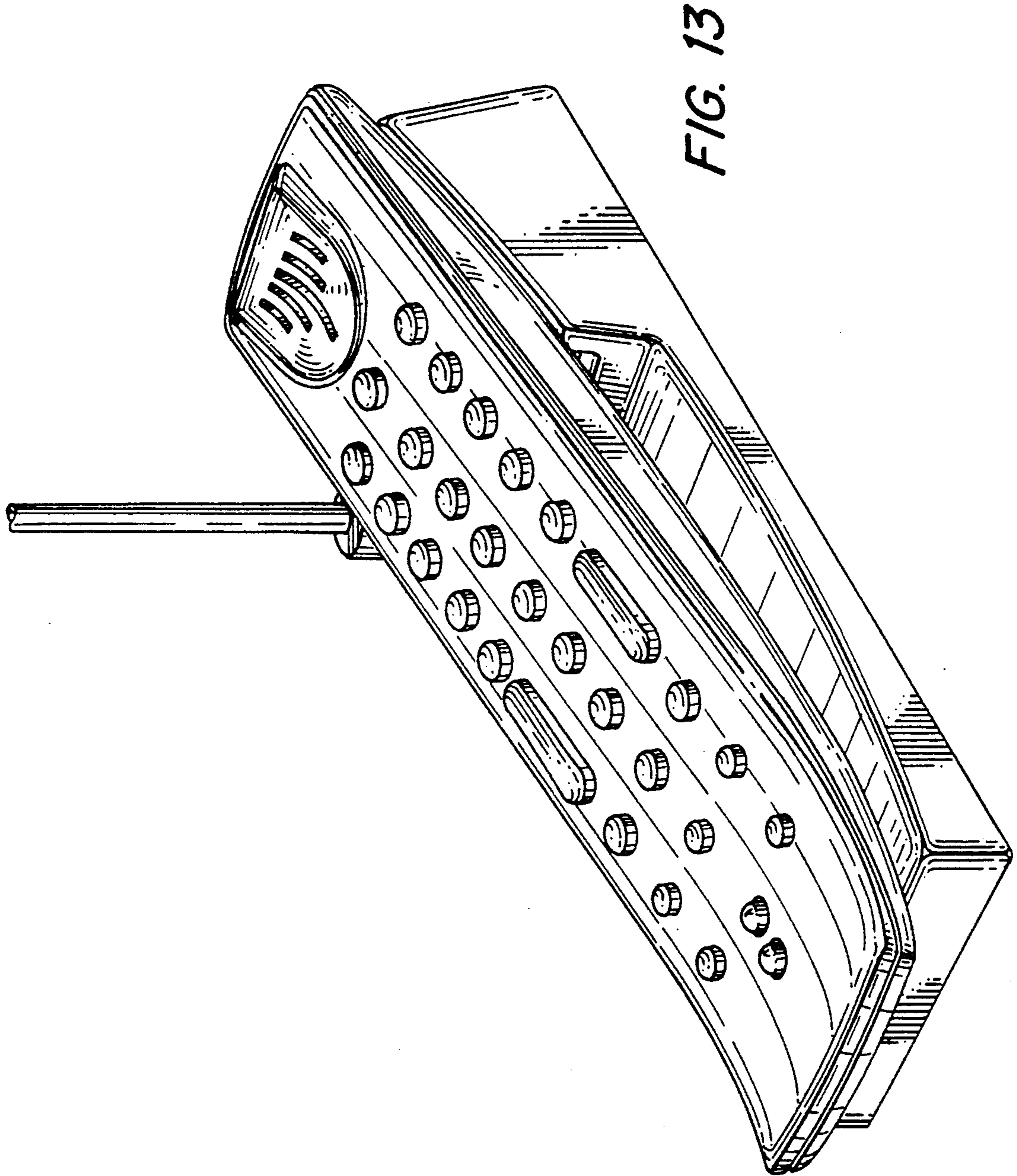


FIG. 13