



US00D326448S

United States Patent [19]

[11] Patent Number: **Des. 326,448**

Fukuda

[45] Date of Patent: **** May 26, 1992**

[54] **DOCUMENT SCANNER**

D. 305,329 1/1990 Hiroki et al. D14/107
D. 308,667 6/1990 Makidera D14/107 X

[75] Inventor: **Kouki Fukuda, Osaka, Japan**

FOREIGN PATENT DOCUMENTS

[73] Assignee: **Sharp Corporation, Osaka, Japan**

706332 5/1987 Japan D14/107

[**] Term: **14 Years**

Primary Examiner—Wallace R. Burke
Assistant Examiner—Freda S. Nunn
Attorney, Agent, or Firm—Flehr, Hohbach, Test,
Albritton & Herbert

[21] Appl. No.: **480,218**

[22] Filed: **Feb. 14, 1990**

[57] **CLAIM**

[30] **Foreign Application Priority Data**

The ornamental design for a document scanner, as shown and described.

Aug. 25, 1989 [JP] Japan 1-31045

[52] U.S. Cl. **D14/107**

[58] Field of Search D14/100, 105, 107, 114,
D14/116; D16/1, 2, 223, 27-32; D18/36, 12,
22, 37, 40; 235/454, 462, 470-473, 475, 479;
250/208, 203 R, 566, 568, 239; 382/58, 62, 63,
65; 355/231, 233; 354/80-82; 358/408, 473,
474, 479

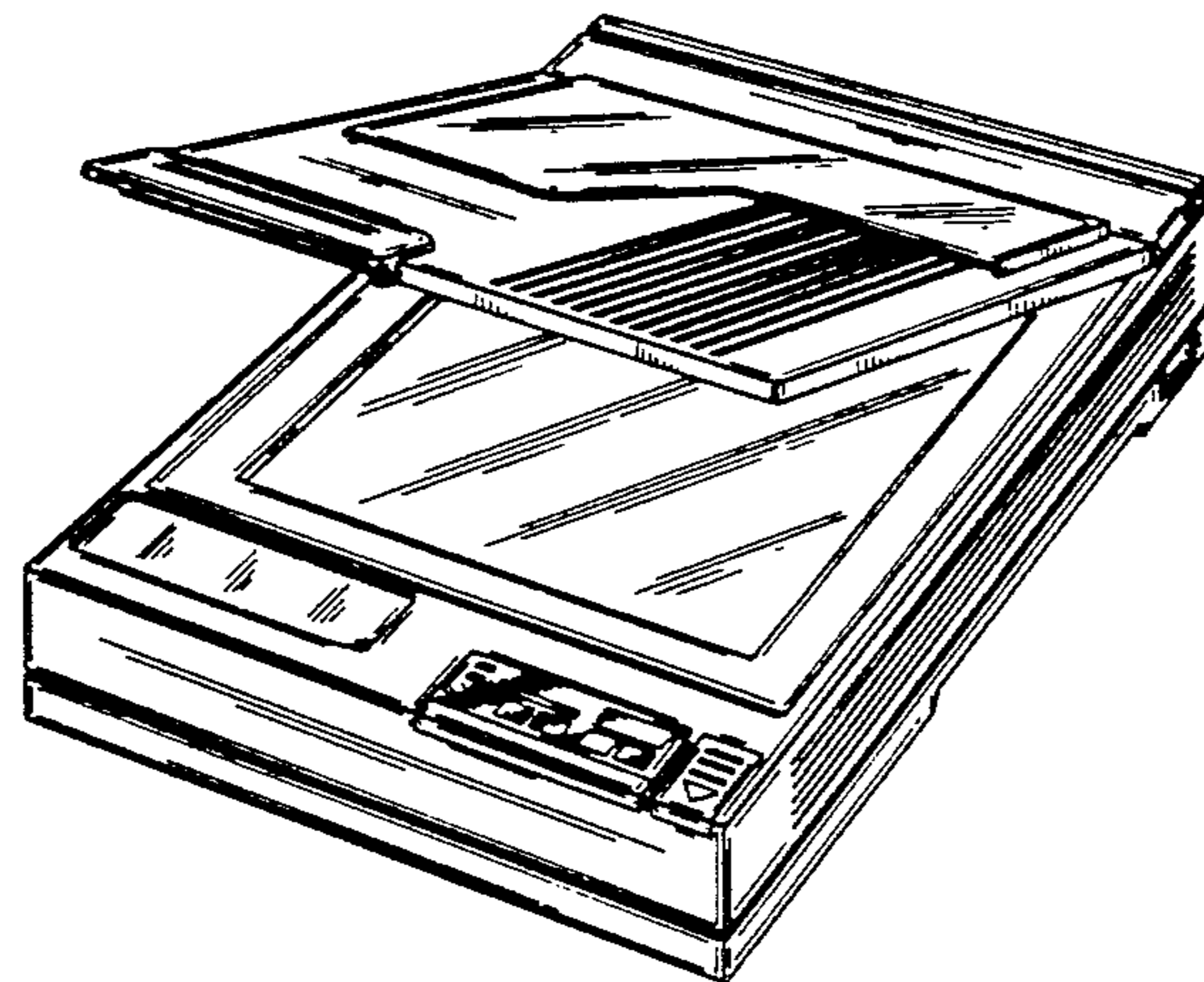
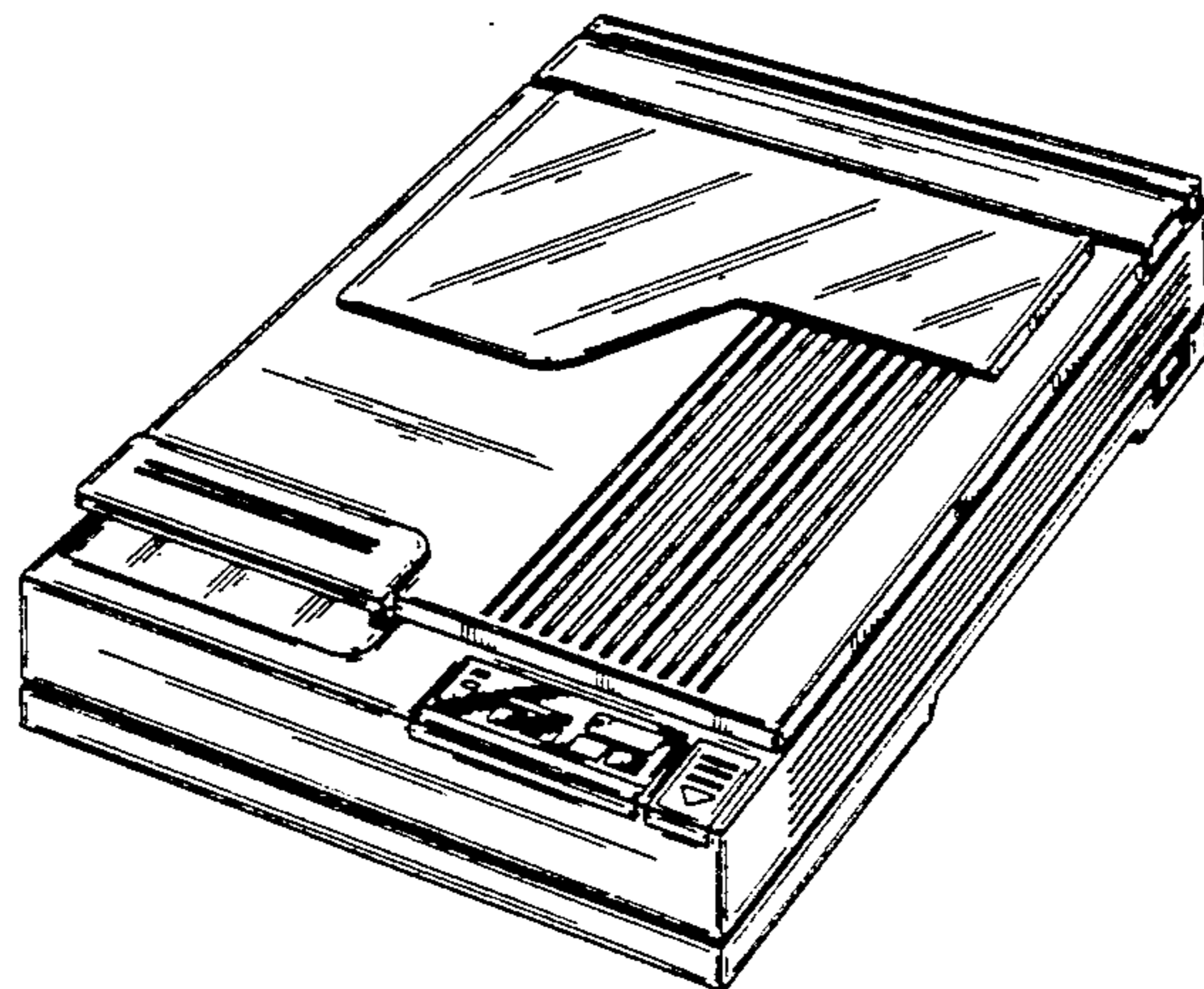
DESCRIPTION

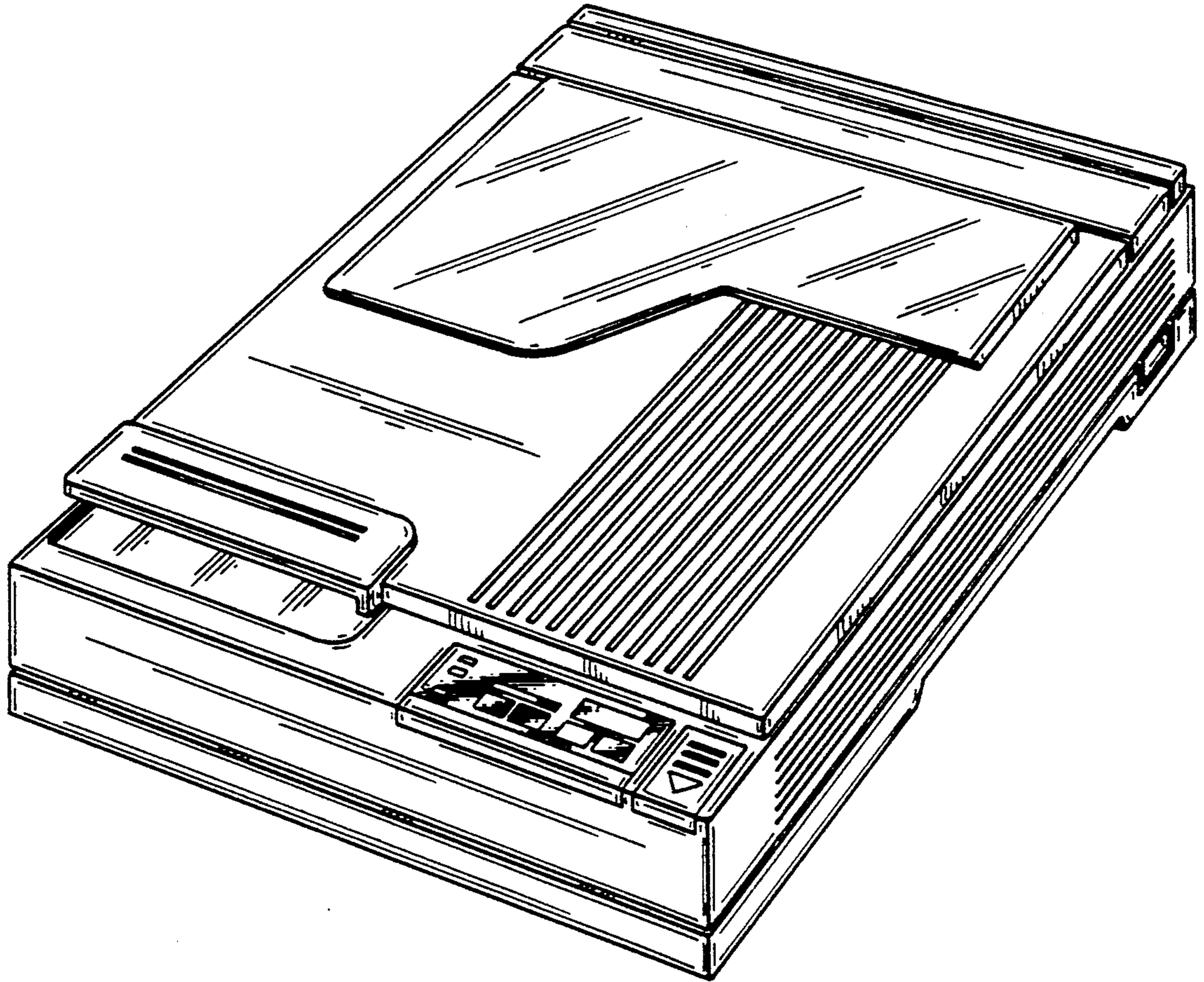
FIG. 1 is a perspective view of a document scanner showing my new design;
FIG. 2 is a perspective view thereof with the cover open;
FIG. 3 is a top plan view thereof;
FIG. 4 is a bottom plan view thereof;
FIG. 5 is a front elevational view thereof;
FIG. 6 is a rear elevational view thereof;
FIG. 7 is a right side elevational view thereof; and,
FIG. 8 is a left side elevational view thereof.

[56] **References Cited**

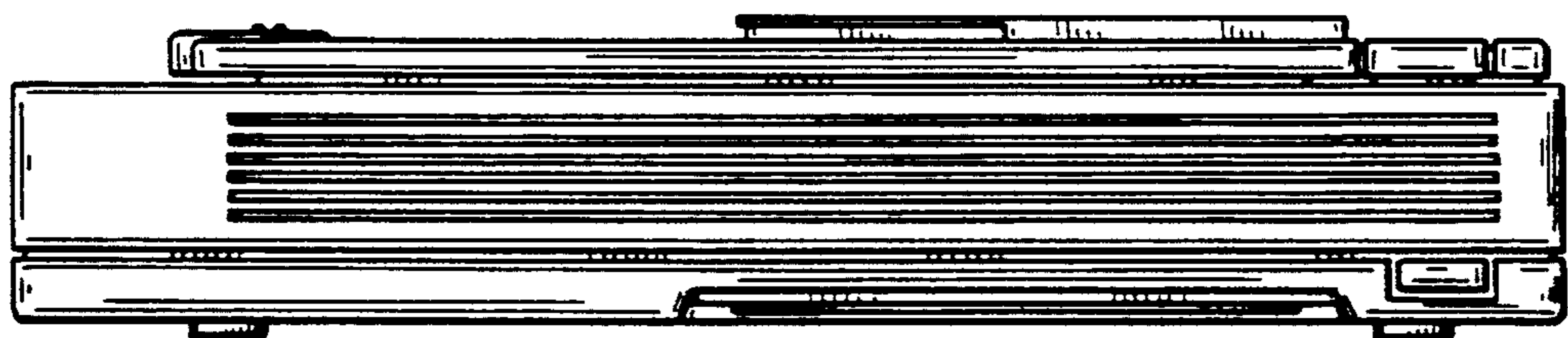
U.S. PATENT DOCUMENTS

D. 293,794 1/1988 Nakade D14/107
D. 302,007 7/1989 Hara et al. D14/107
D. 303,660 9/1989 Yamagiwa et al. D14/107

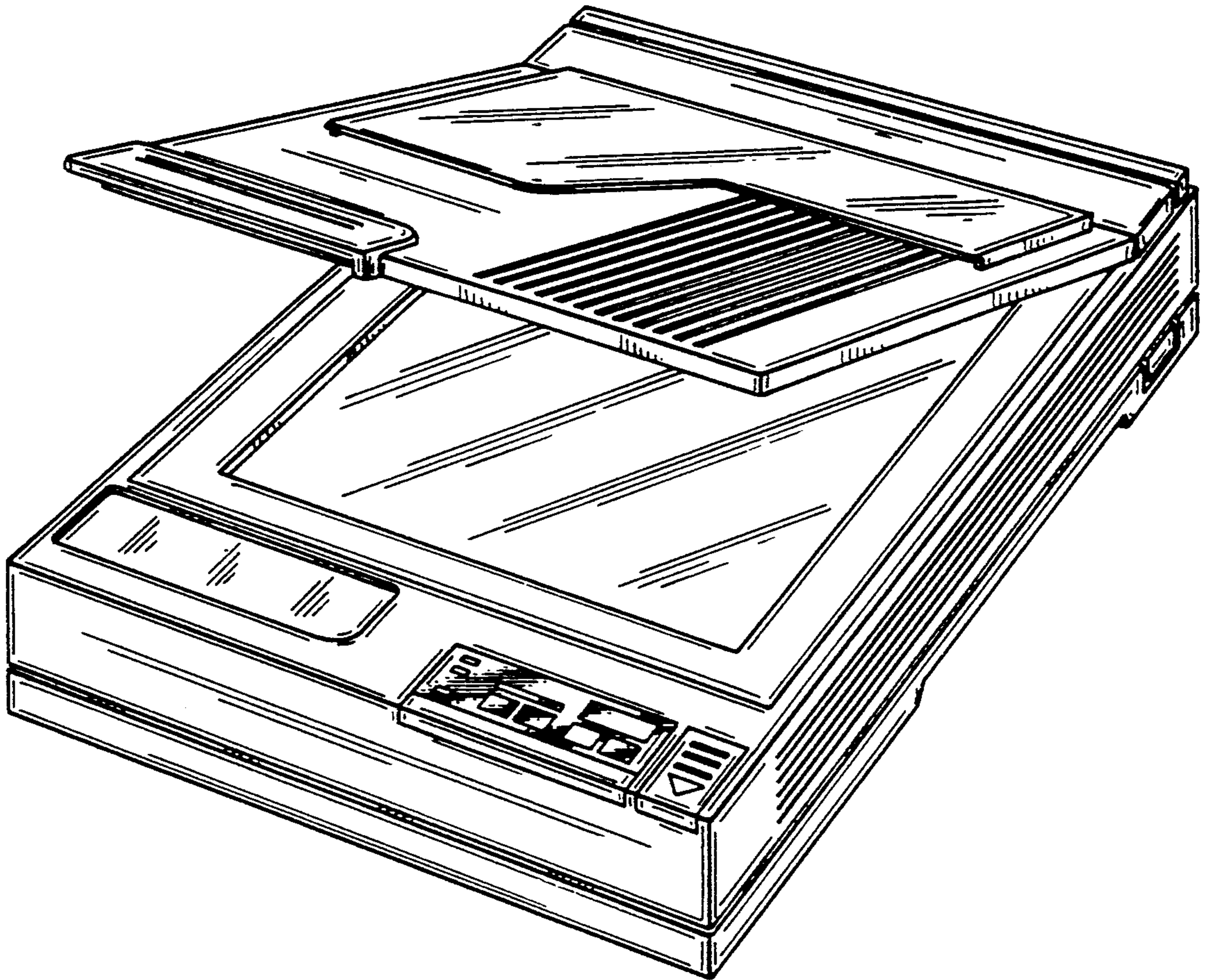




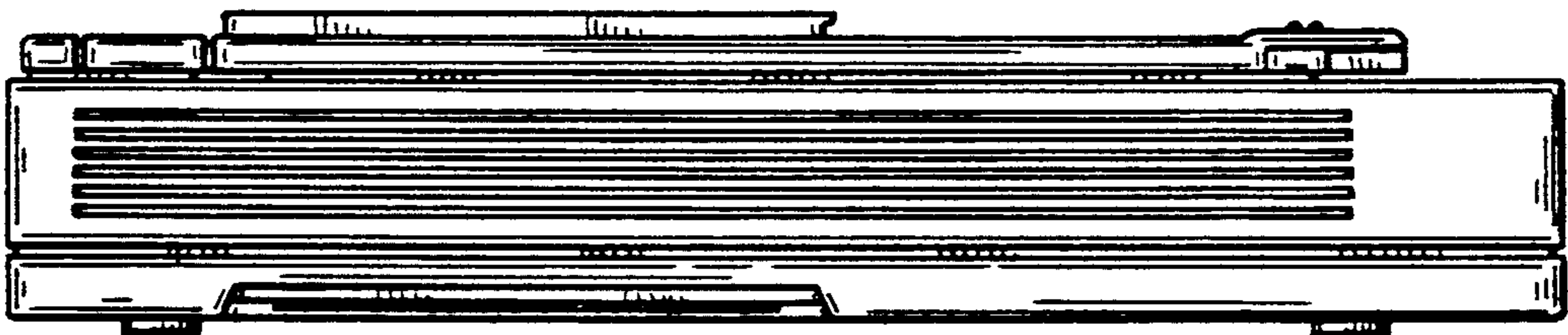
FIG_1



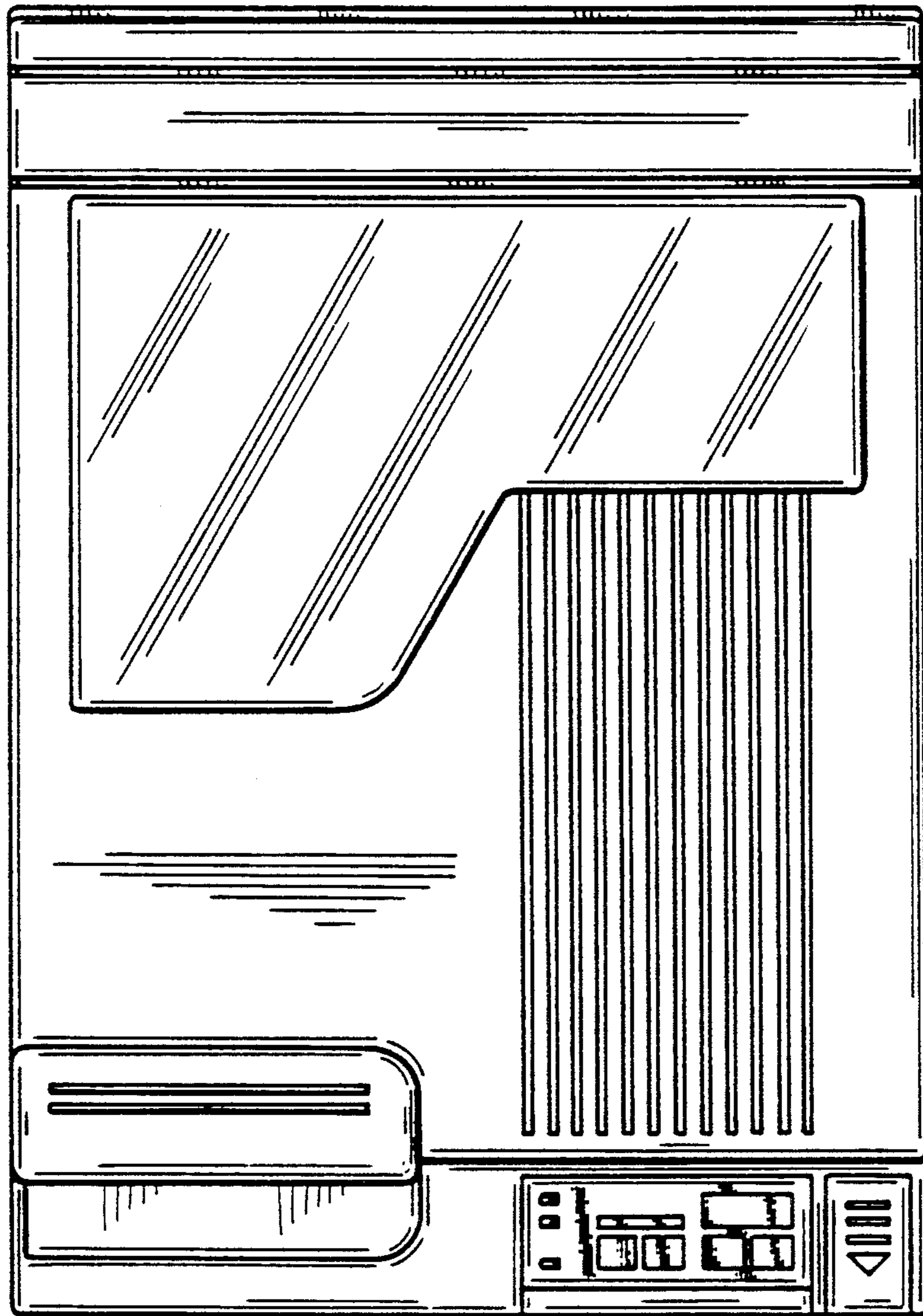
FIG_7



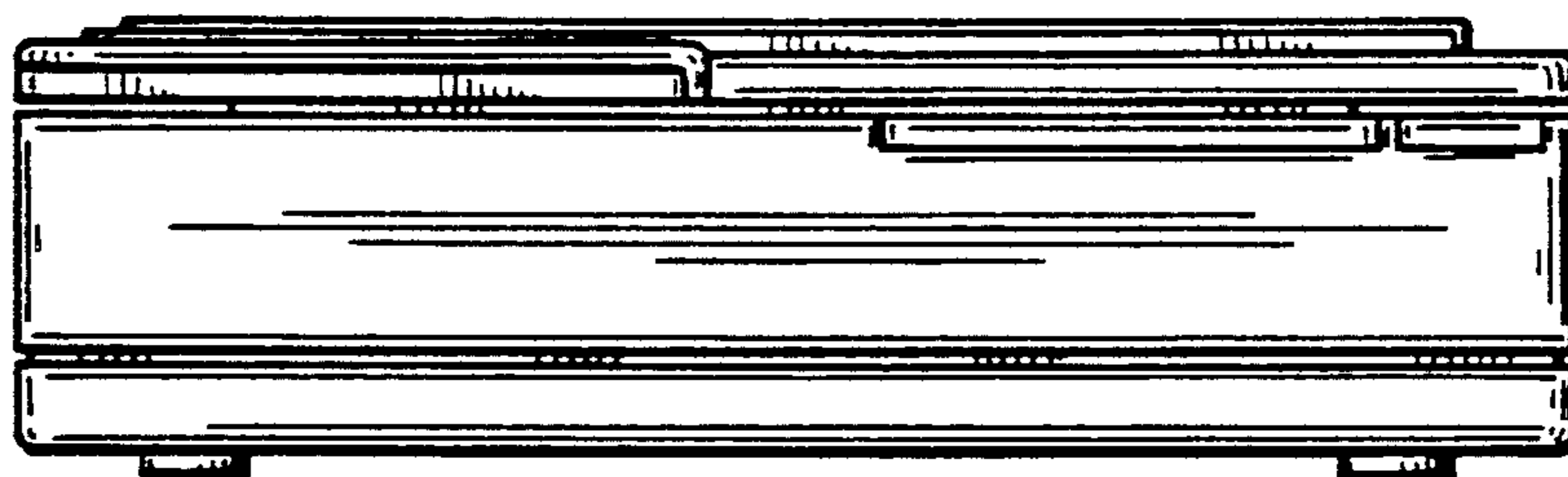
FIG_2



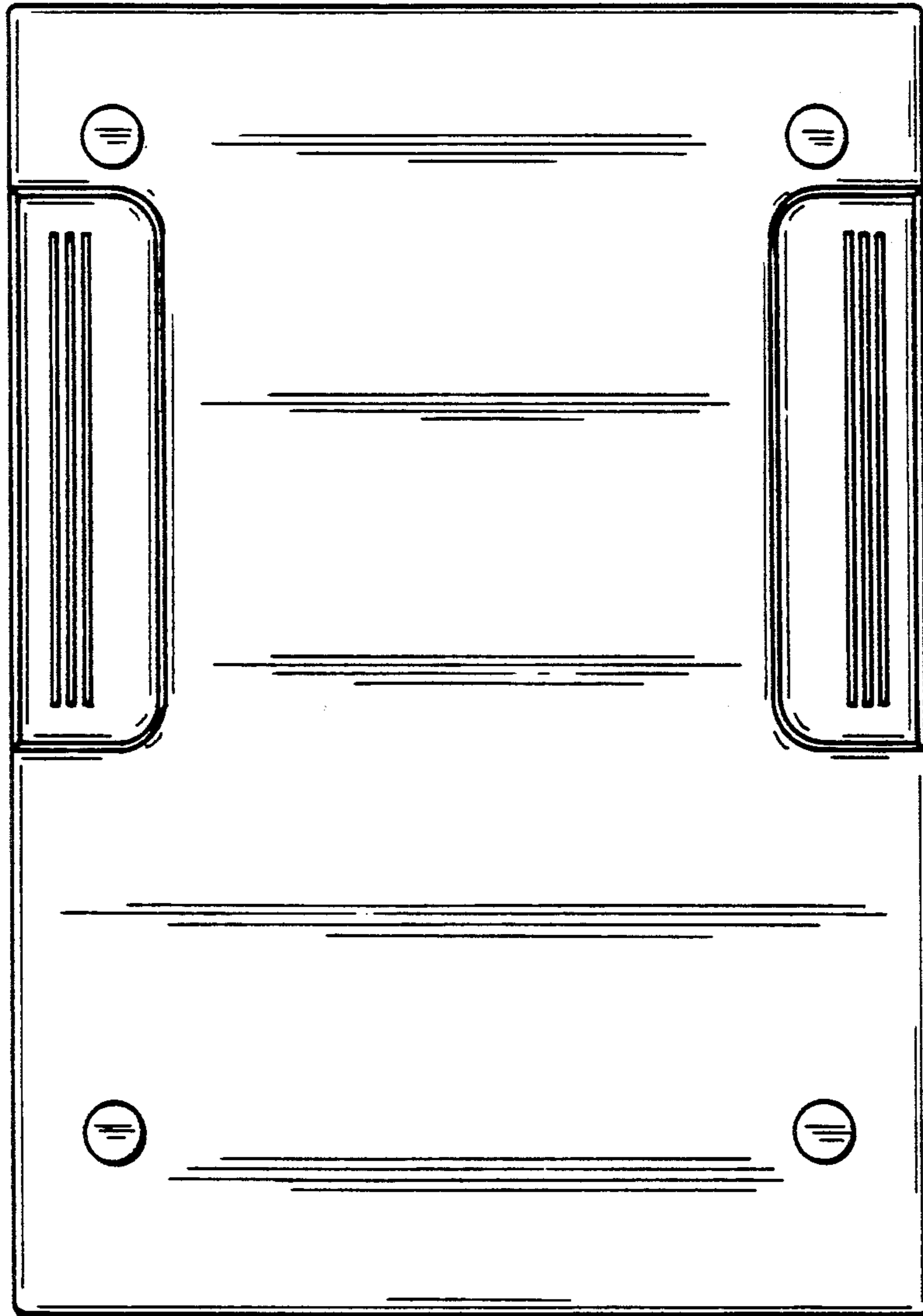
FIG_8



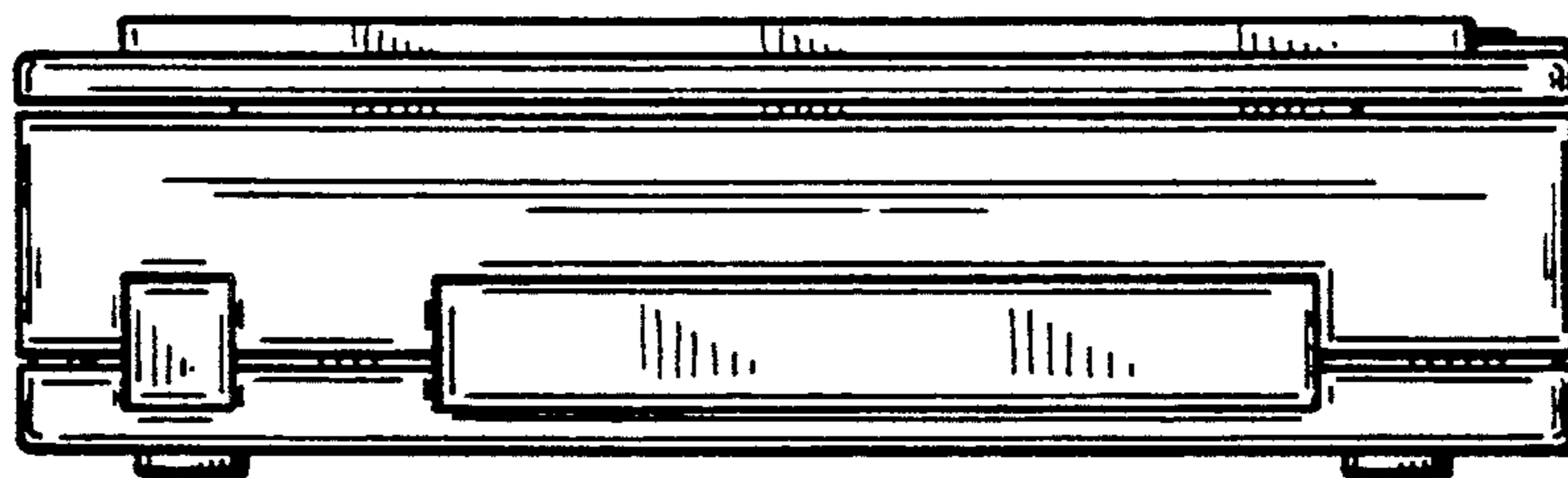
FIG_3



FIG_5



FIG_4



FIG_6