



US00D326447S

United States Patent [19]

[11] Patent Number: Des. 326,447

Hofland et al.

[45] Date of Patent: ** May 26, 1992

[54] PROBE MODULE OR THE LIKE

[75] Inventors: Robert M. Hofland; Philip D. Smith, both of Boulder, Colo.

[73] Assignee: International Business Machines Corporation, Armonk, N.Y.

[**] Term: 14 Years

[21] Appl. No.: 439,111

[22] Filed: Nov. 17, 1989

- D. 268,931 5/1983 Ellis et al. D14/107
- D. 269,345 6/1983 Payne, Jr. et al. D14/107
- D. 295,752 5/1988 MacKenzie et al. D14/107
- D. 303,252 9/1989 Shih D14/107
- D. 304,935 12/1989 Muller et al. D14/107

OTHER PUBLICATIONS

Computer Products, p. 33, Sep. 1987, Space Saving Modem.
 Computer Products, p. 22, Oct. 1987, PEP Converter Module.

Primary Examiner—Wallace R. Burke
Assistant Examiner—Freda S. Nunn
Attorney, Agent, or Firm—Carl M. Wright

Related U.S. Application Data

- [63] Continuation-in-part of Ser. No. 334,401, Apr. 5, 1989.
- [52] U.S. Cl. D14/107
- [58] Field of Search D14/100, 105, 107, 114; D13/162, 184, 199; 174/50, 52.1; 364/706-709.12, 507, 559; 361/330-335, 380-385, 390-395, 399, 415; 360/97.01-99.12, 133; 340/521, 586, 721, 722; 343/894; 200/61.03

CLAIM

[57] The ornamental design for a probe module or the like, as shown and described.

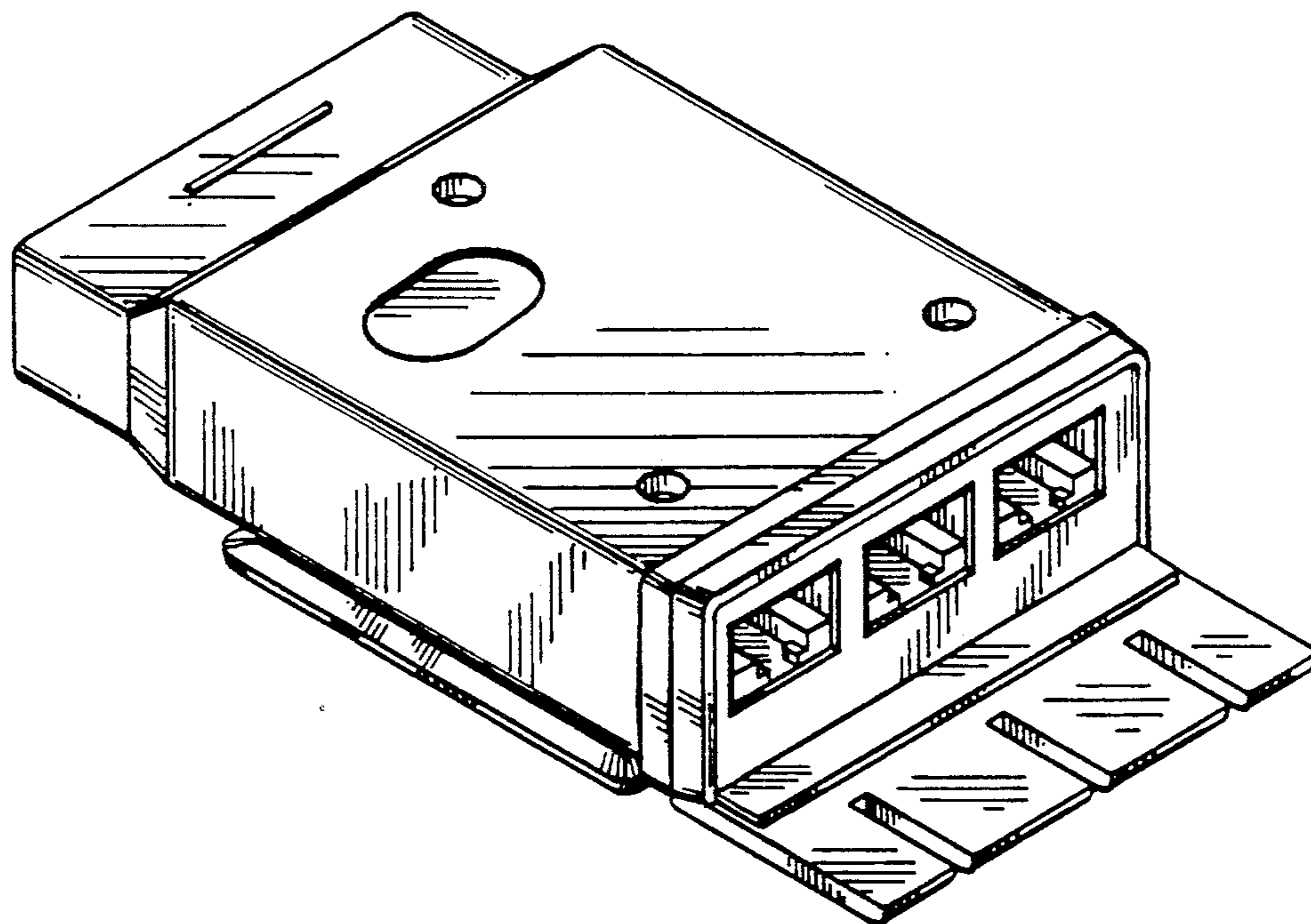
DESCRIPTION

FIG. 1 is a front elevational view of a probe unit or the like showing our new design;
 FIG. 2 is a rear elevational view thereof;
 FIG. 3 is a bottom plan view thereof;
 FIG. 4 is a top plan view thereof;
 FIG. 5 is a left side elevational view thereof; and,
 FIG. 6 is a top rear right side perspective view thereof.

References Cited

U.S. PATENT DOCUMENTS

- D. 259,041 4/1981 Ault et al. D14/100



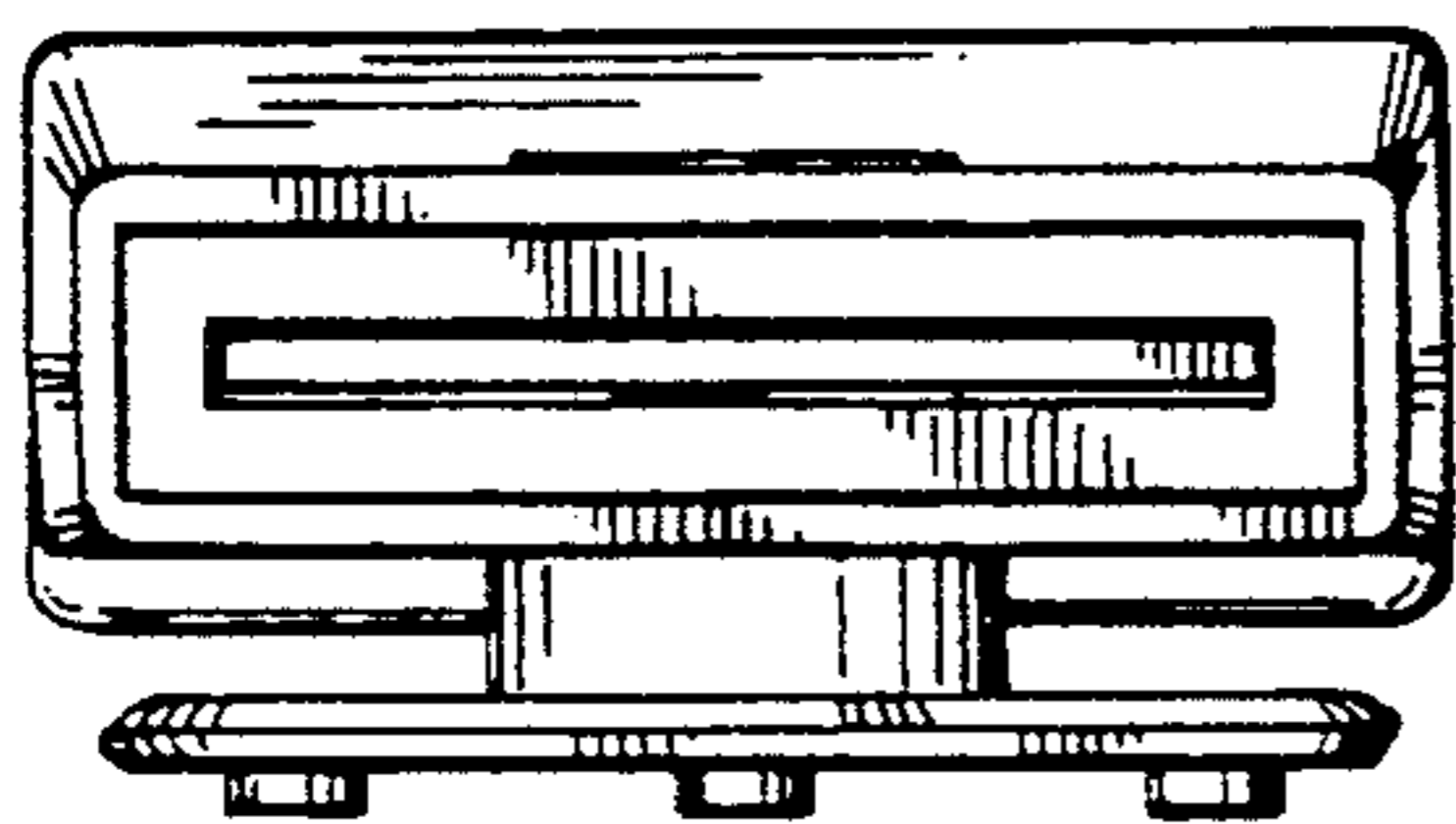


FIG. 1.

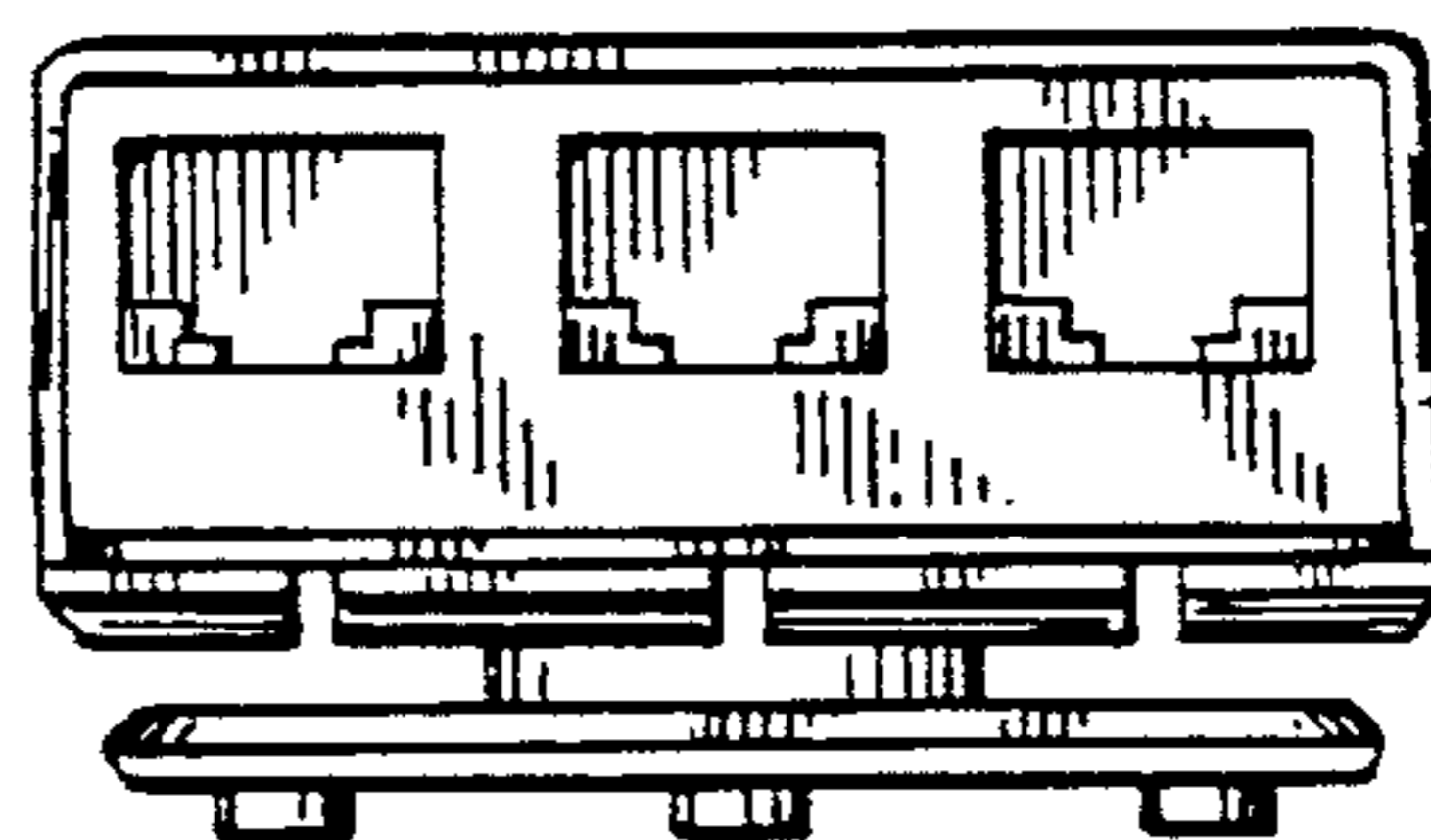


FIG. 2.

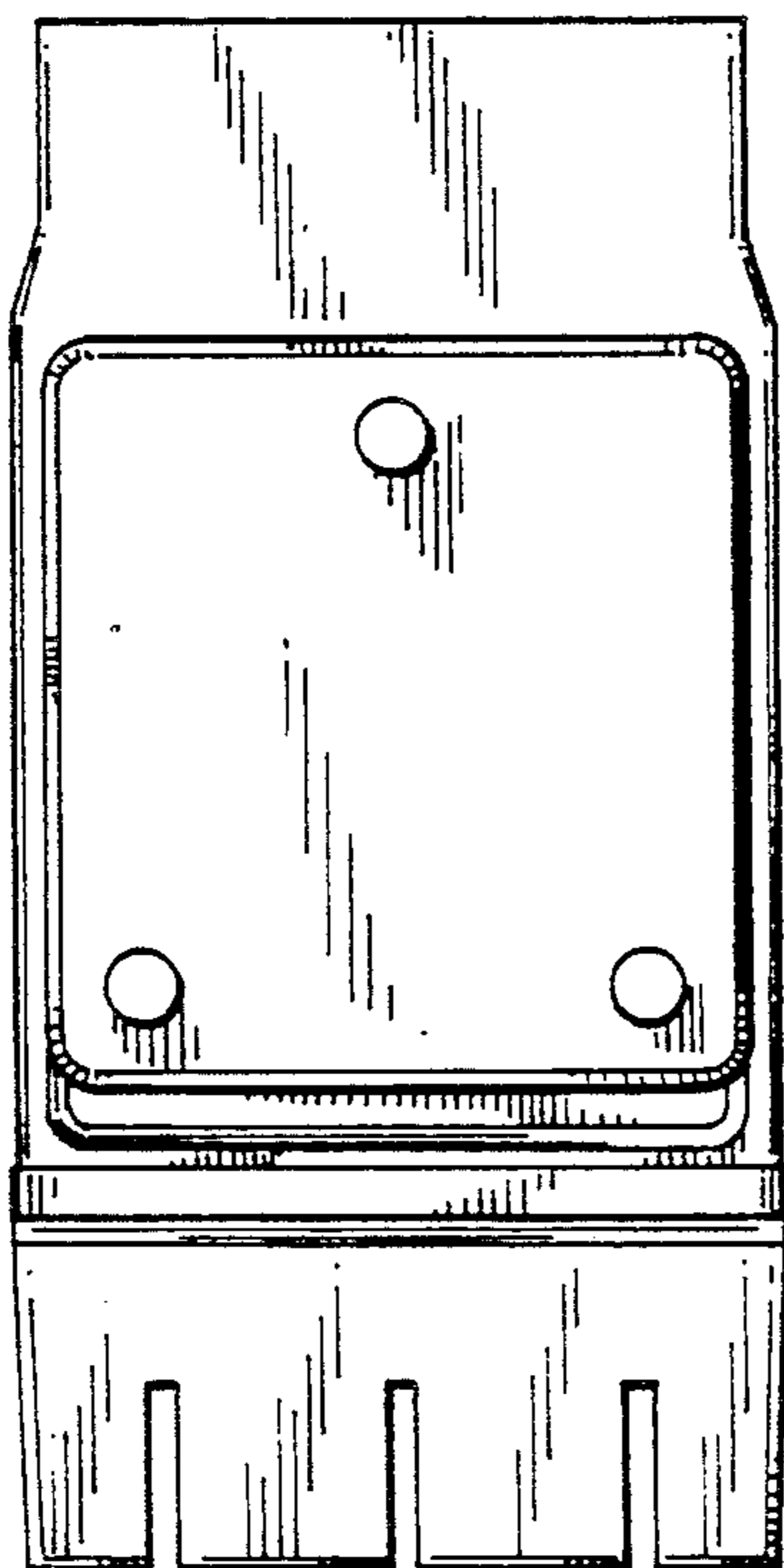


FIG. 3.

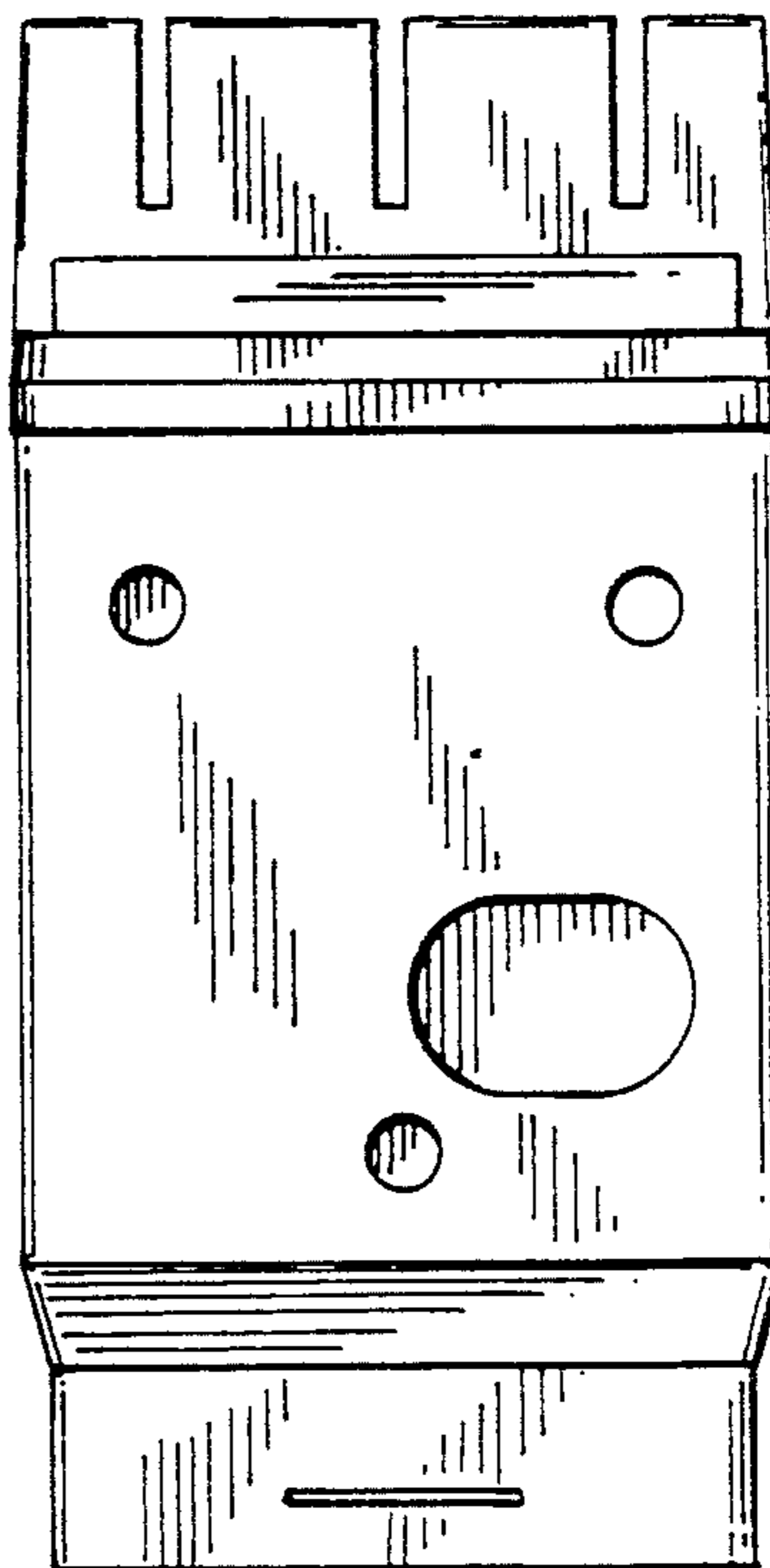


FIG. 4.

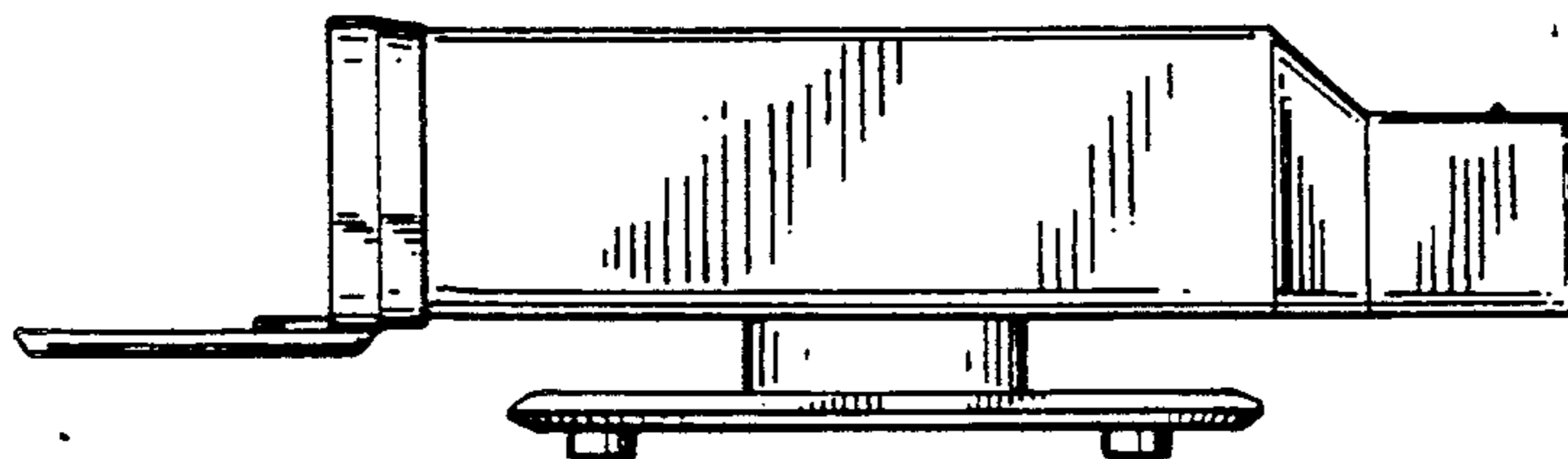


FIG. 5.

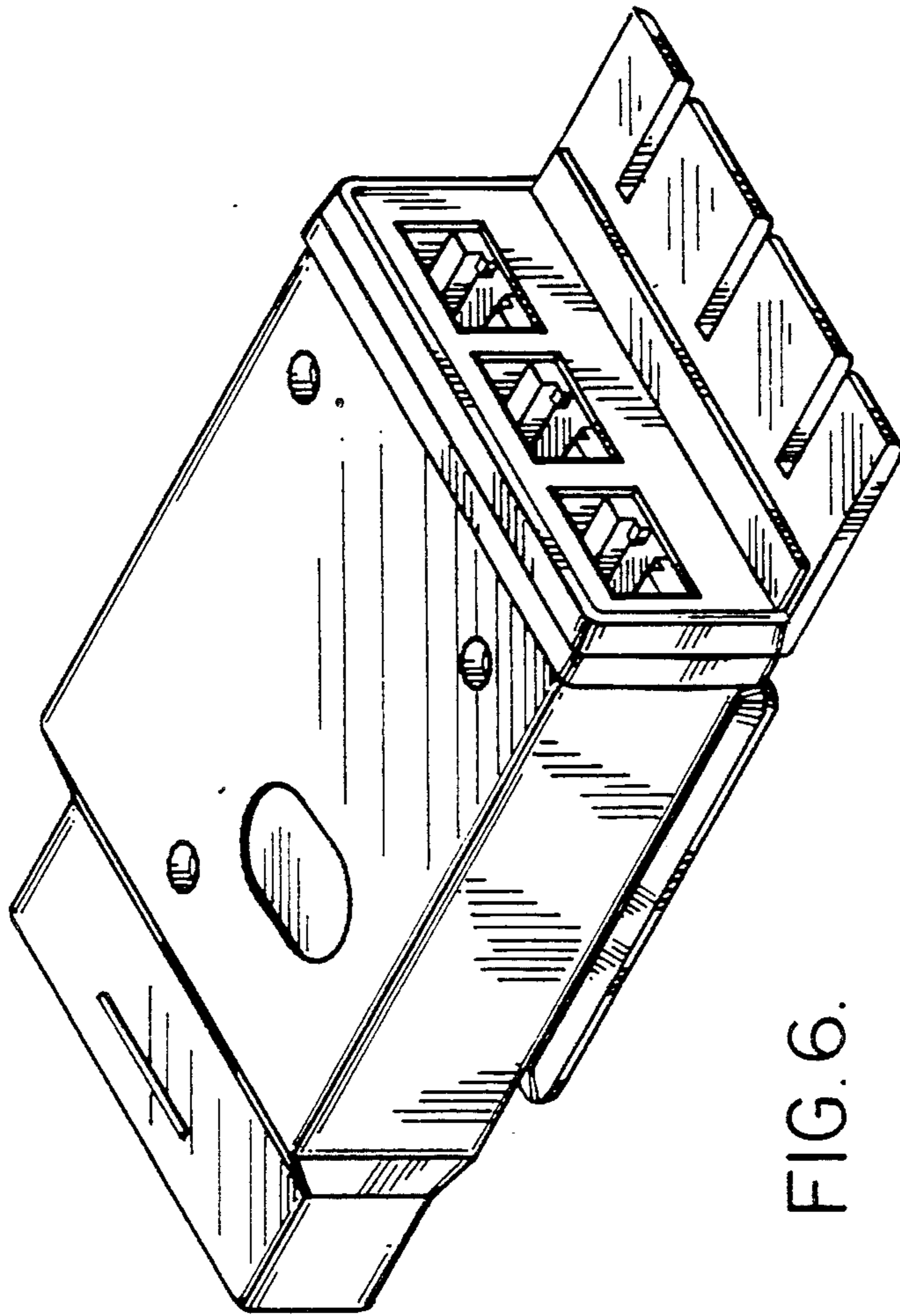


FIG. 6.