



US00D326443S

# United States Patent [19]

[11] Patent Number: Des. 326,443

Ingalsbe

[45] Date of Patent: \*\* May 26, 1992

[54] ADAPTER FOR TELECOMMUNICATIONS TERMINALS

[75] Inventor: David L. Ingalsbe, Hastings, Minn.

[73] Assignee: Independent Technologies, Inc., Omaha, Nebr.

[\*\*] Term: 14 Years

[21] Appl. No.: 478,775

[22] Filed: Feb. 12, 1990

[52] U.S. Cl. .... D13/147; D14/256

[58] Field of Search ..... D13/147; D14/240, 256; 439/76, 350, 676, 638, 709; 379/156, 325, 327, 330, 332

### [56] References Cited

#### U.S. PATENT DOCUMENTS

D. 242,862	12/1976	Huber	.....	D13/147
D. 298,932	12/1988	Knickerbocker et al.	....	D14/256 X
D. 317,297	6/1991	Reed	.....	D13/147
4,651,340	3/1987	Marson	.....	379/156
4,878,848	11/1989	Ingalsbe	.....	439/76
4,906,196	3/1990	Bowman et al.	.....	439/76
4,925,393	5/1990	Ingalsbe	.....	D13/147 X
4,968,260	11/1990	Ingalsbe	.....	439/76

#### FOREIGN PATENT DOCUMENTS

2070868	9/1981	United Kingdom	.....	439/350
---------	--------	----------------	-------	---------

### OTHER PUBLICATIONS

Burndy Adapters From Burndy Flexway Undercarpet Brochure, copyright 1984.

Primary Examiner—Susan J. Lucas  
Assistant Examiner—Joel Sincavage  
Attorney, Agent, or Firm—Joel D. Skinner

### [57] CLAIM

The ornamental design for an adapter for telecommunications terminals, as shown and described.

### DESCRIPTION

FIG. 1 is a front and upper right perspective view of an adapter for telecommunications terminals showing my new design;

FIG. 2 is a rear and upper right perspective view thereof;

FIG. 3 is a rear and upper right perspective view of an adapter for telecommunications terminals showing a second embodiment of my new design. Except for the rear appearance, the plan and elevational views are the same as the first embodiment;

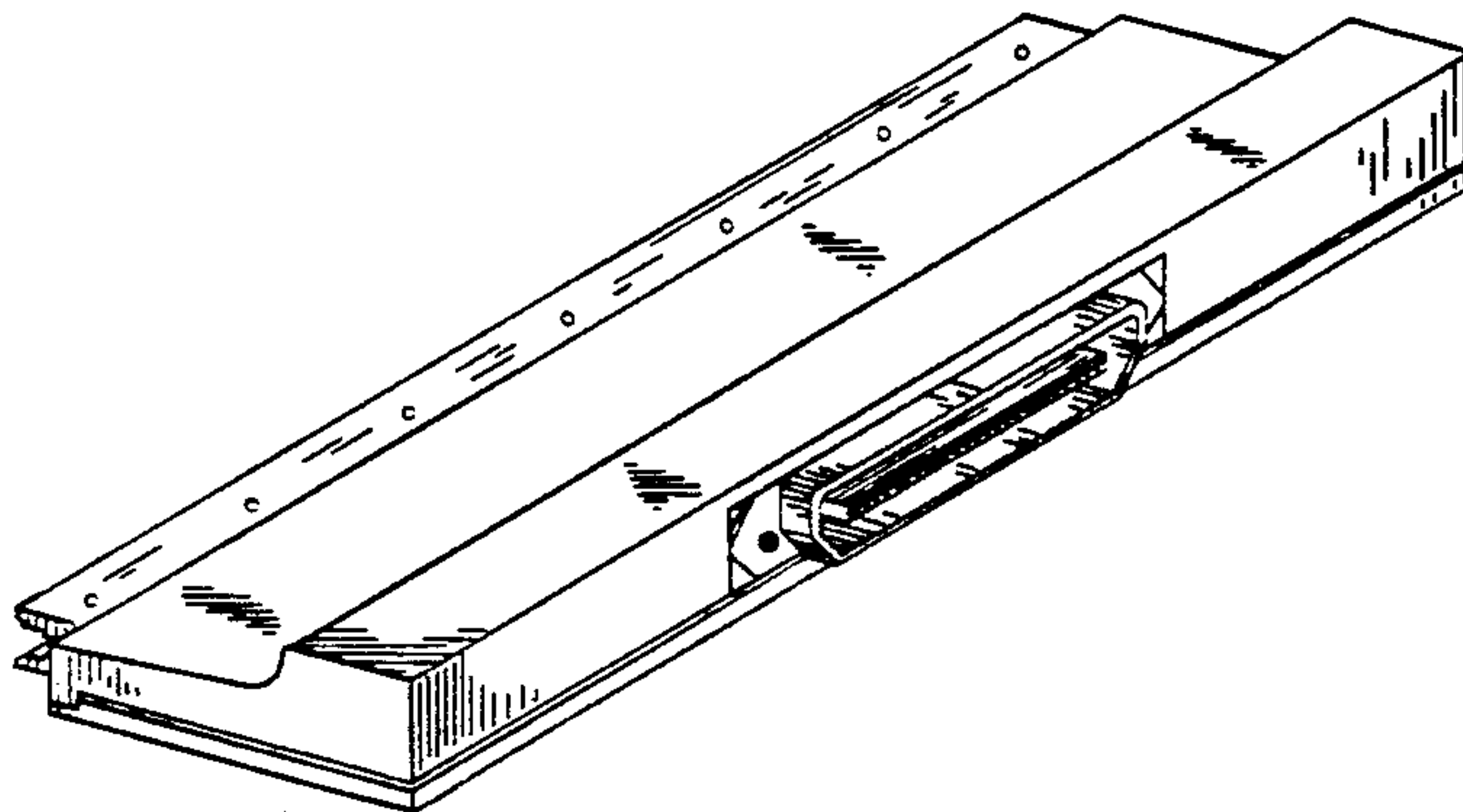
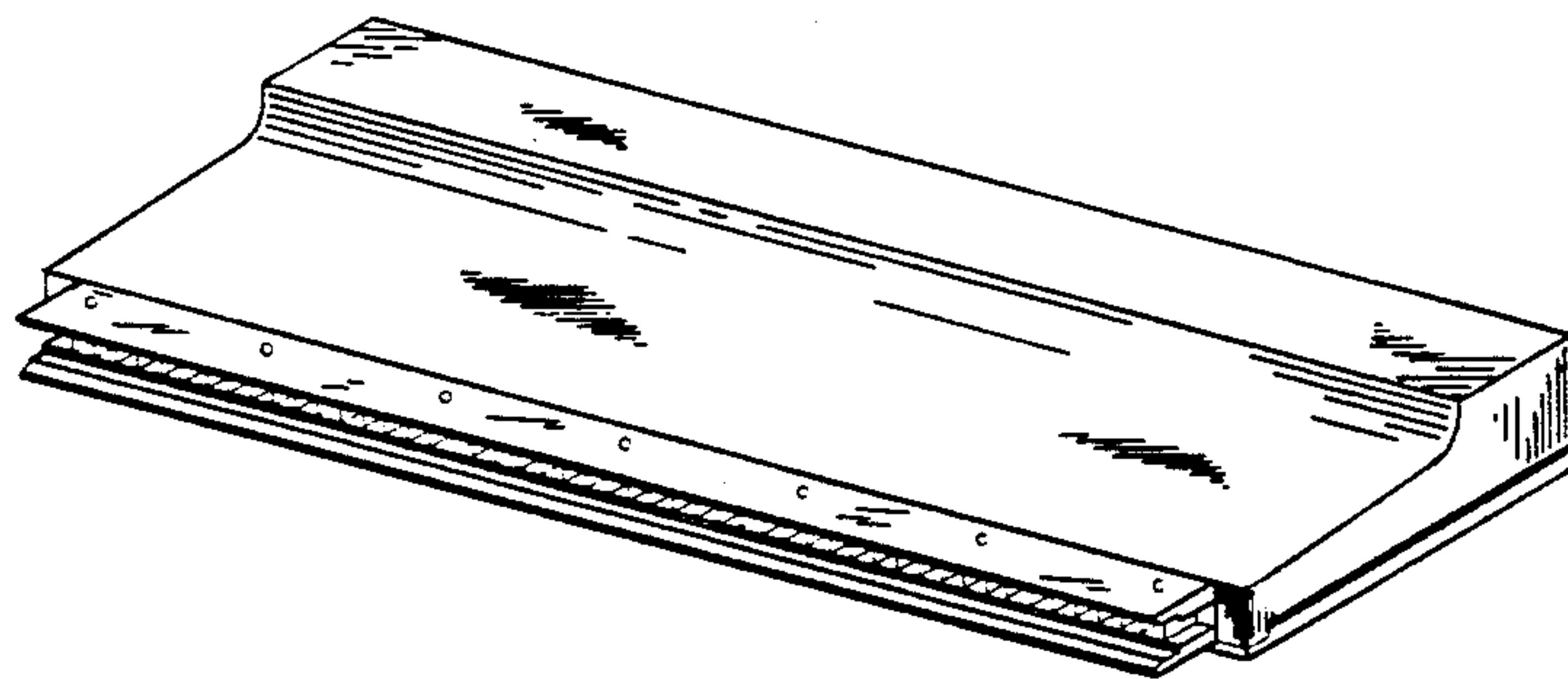
FIG. 4 is a rear and upper right perspective view of an adapter for telecommunications terminals showing a third embodiment of my new design. Except for the rear appearance, the plan and elevational views are the same as the first embodiment;

FIG. 5 is a right side elevational view of an adapter for telecommunications terminals showing the first embodiment of my new design, the left side elevational view thereof being a mirror image;

FIG. 6 is a top plan view thereof;

FIG. 7 is a front elevational view thereof; and,

FIG. 8 is a bottom plan view thereof.



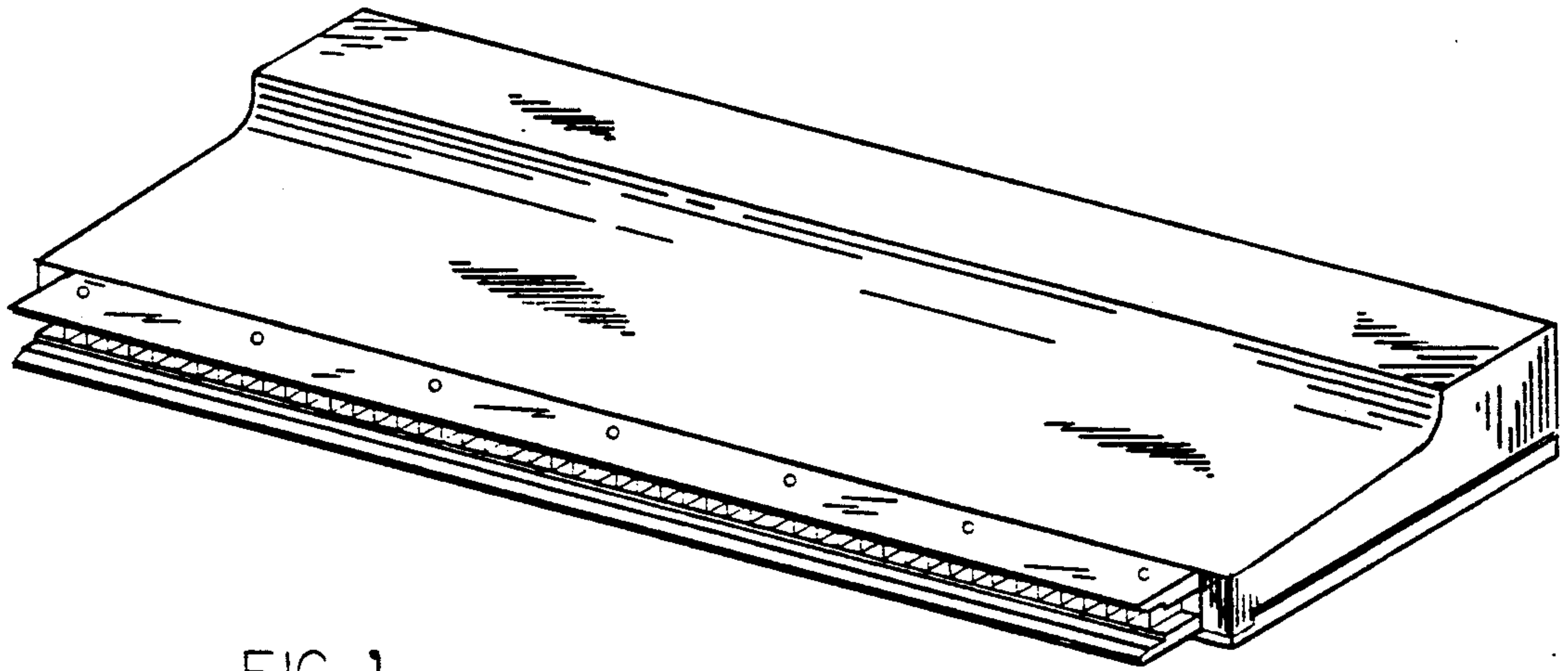


FIG. 1

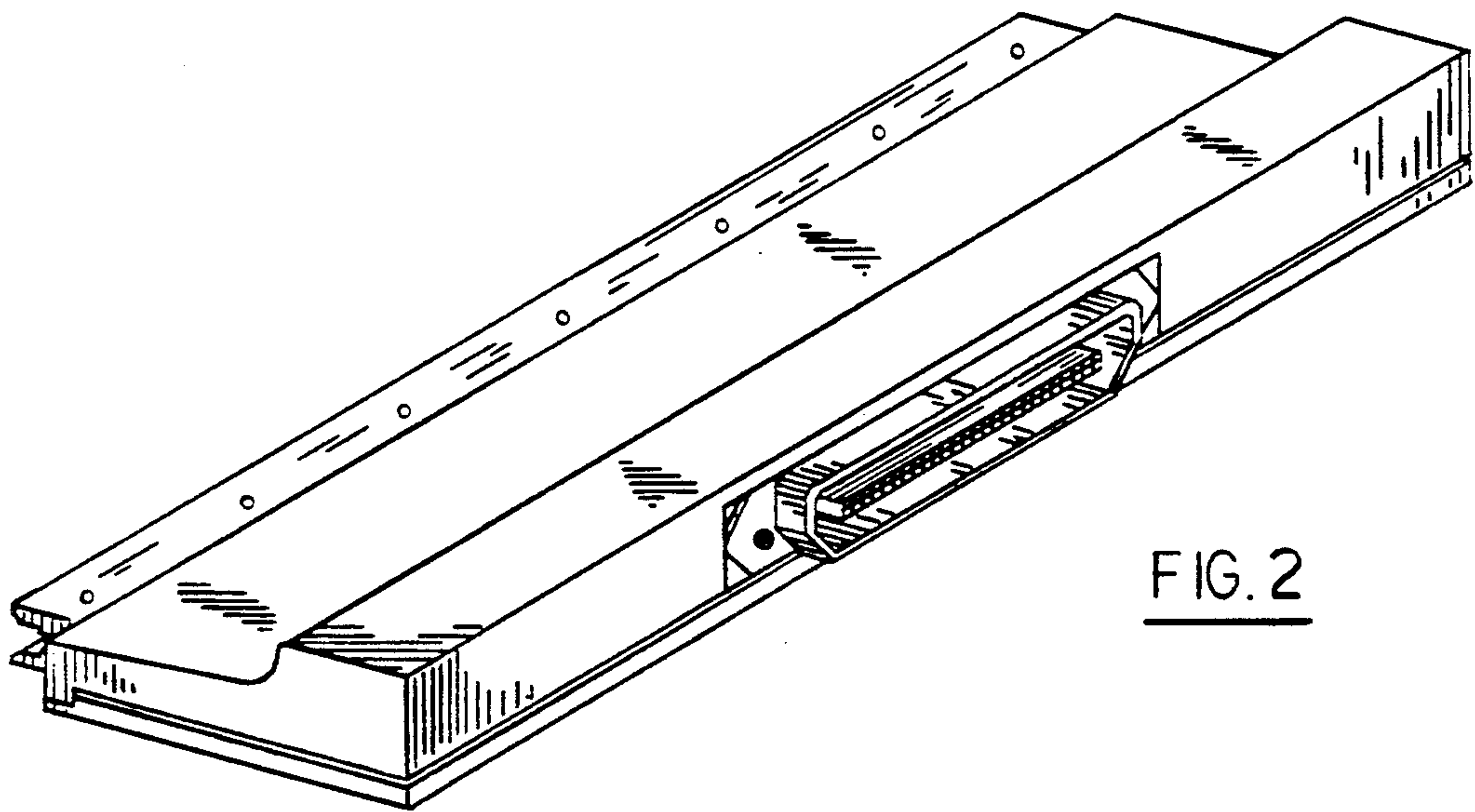


FIG. 2

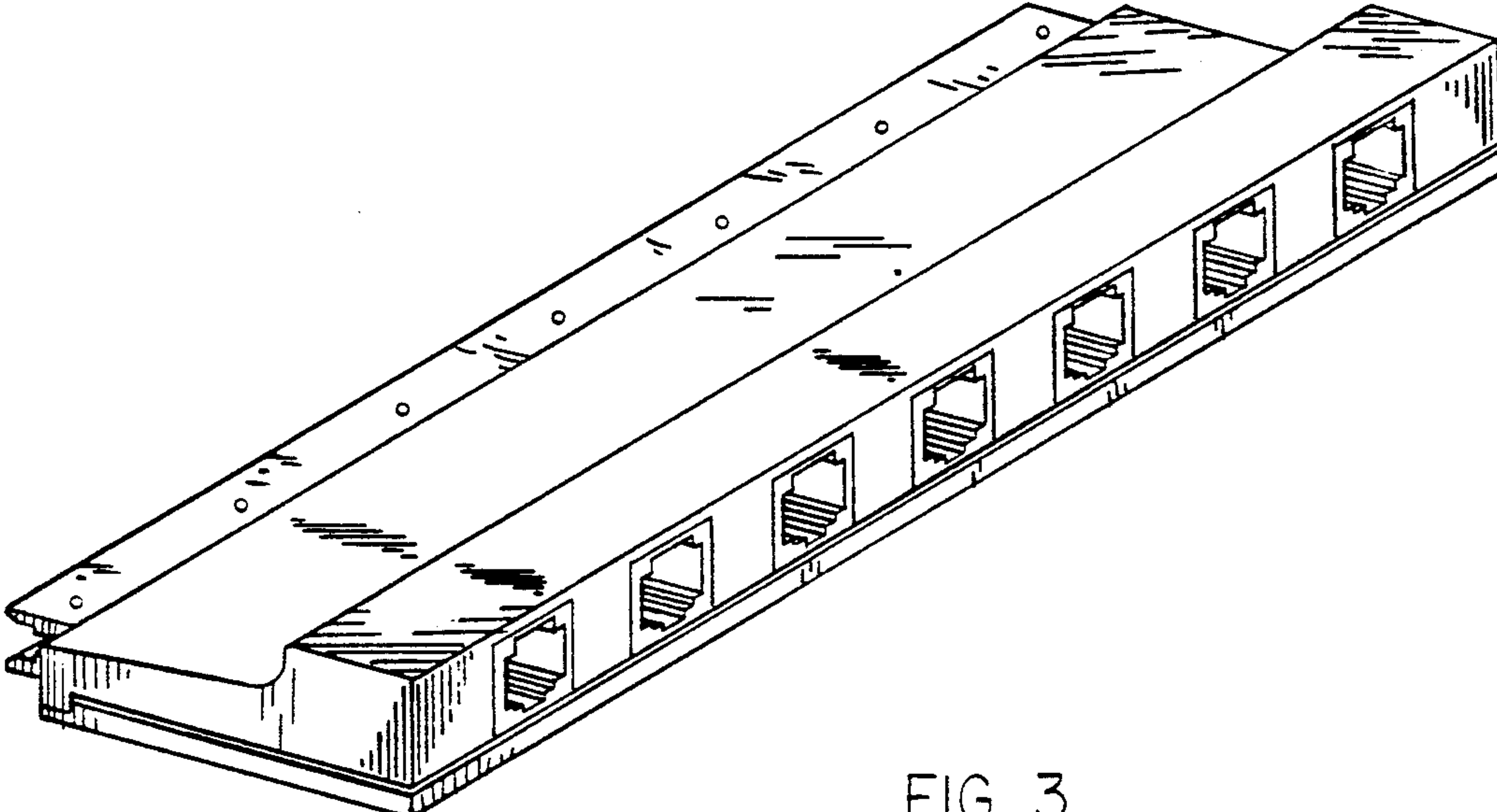


FIG. 3

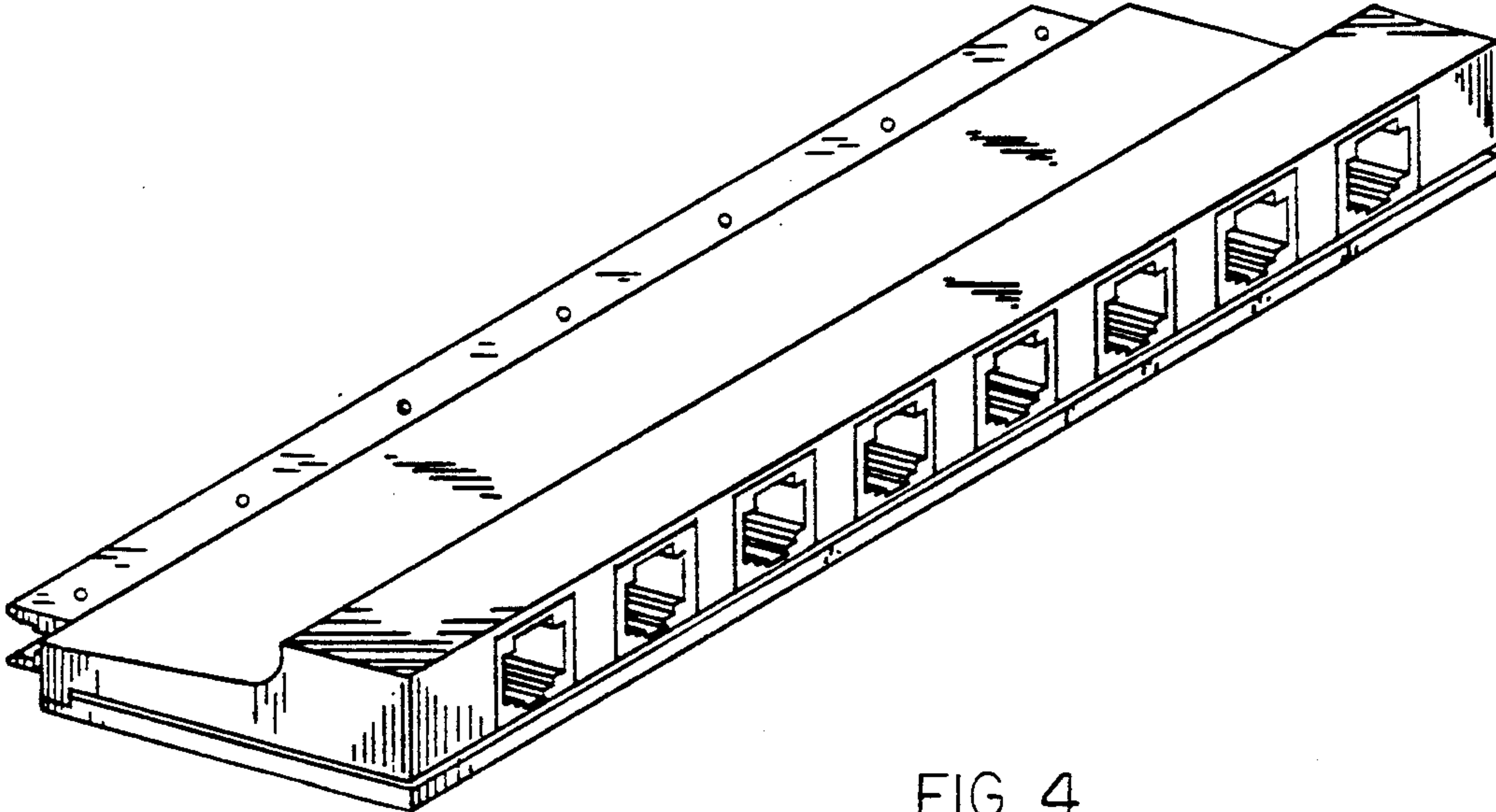


FIG. 4



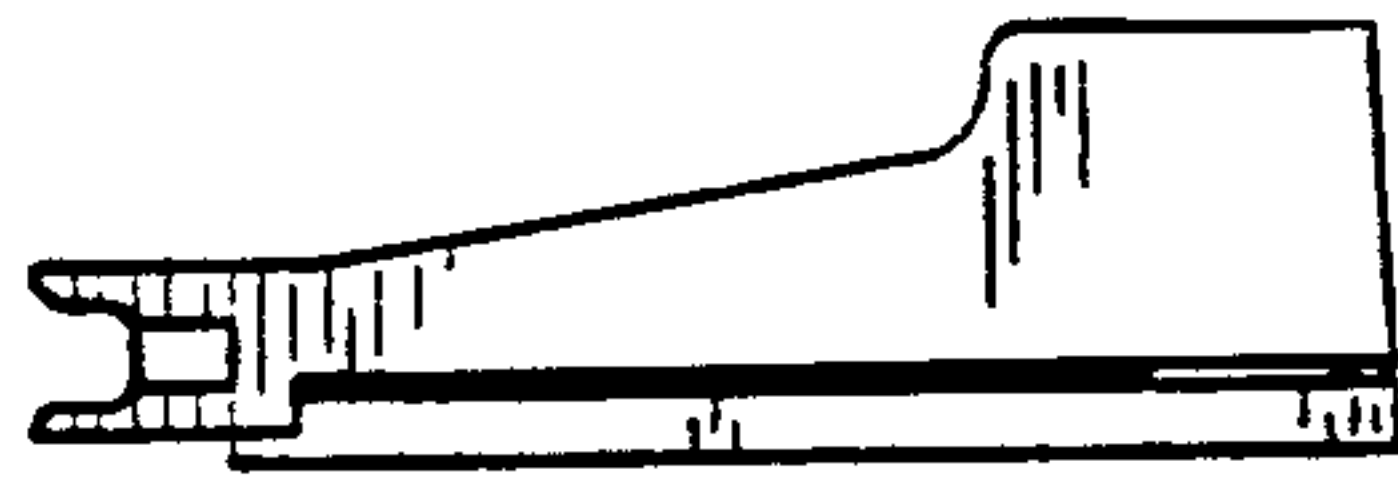


FIG. 5

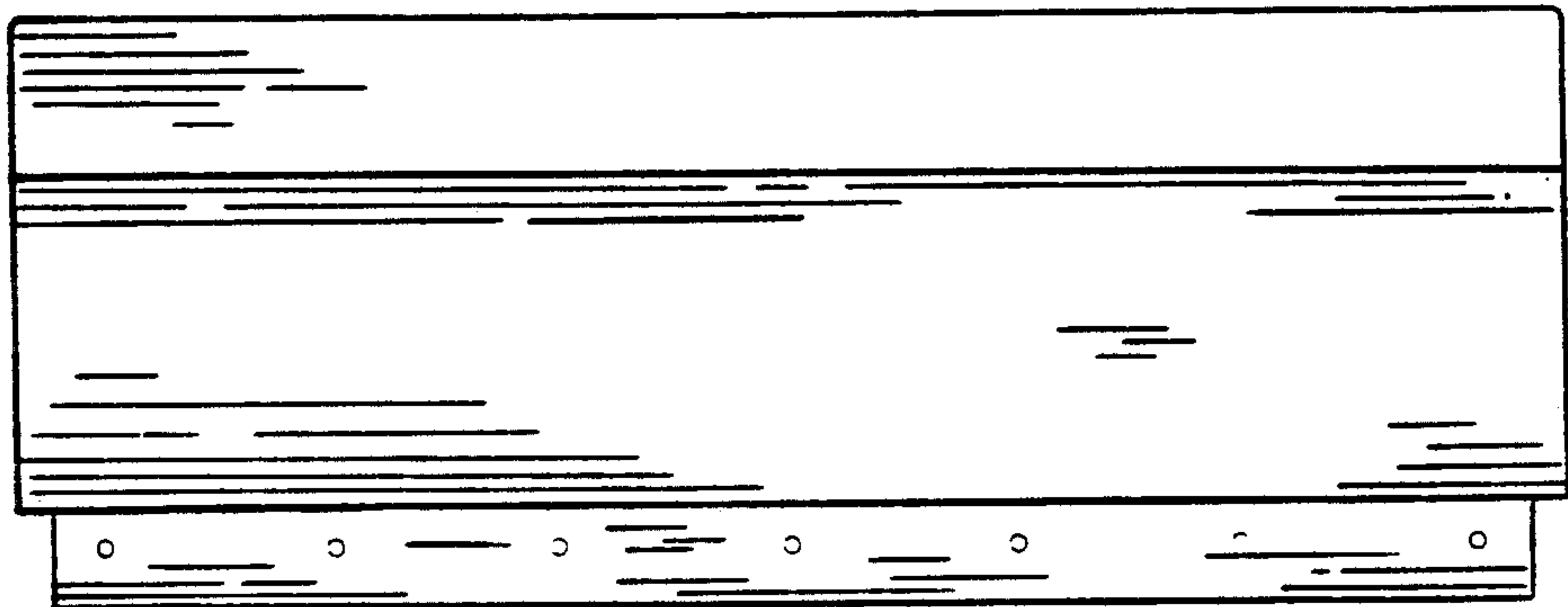


FIG. 6

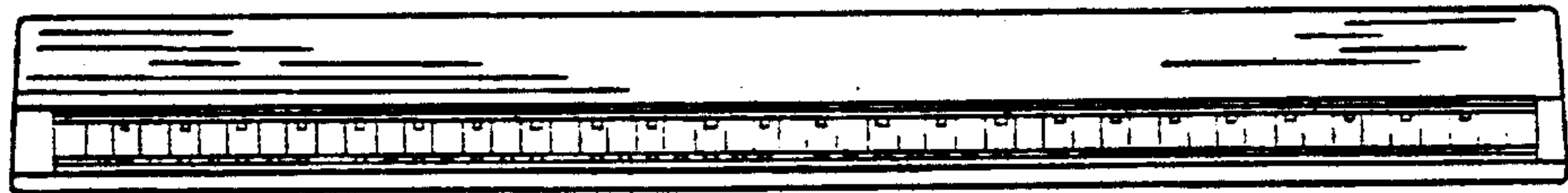


FIG. 7

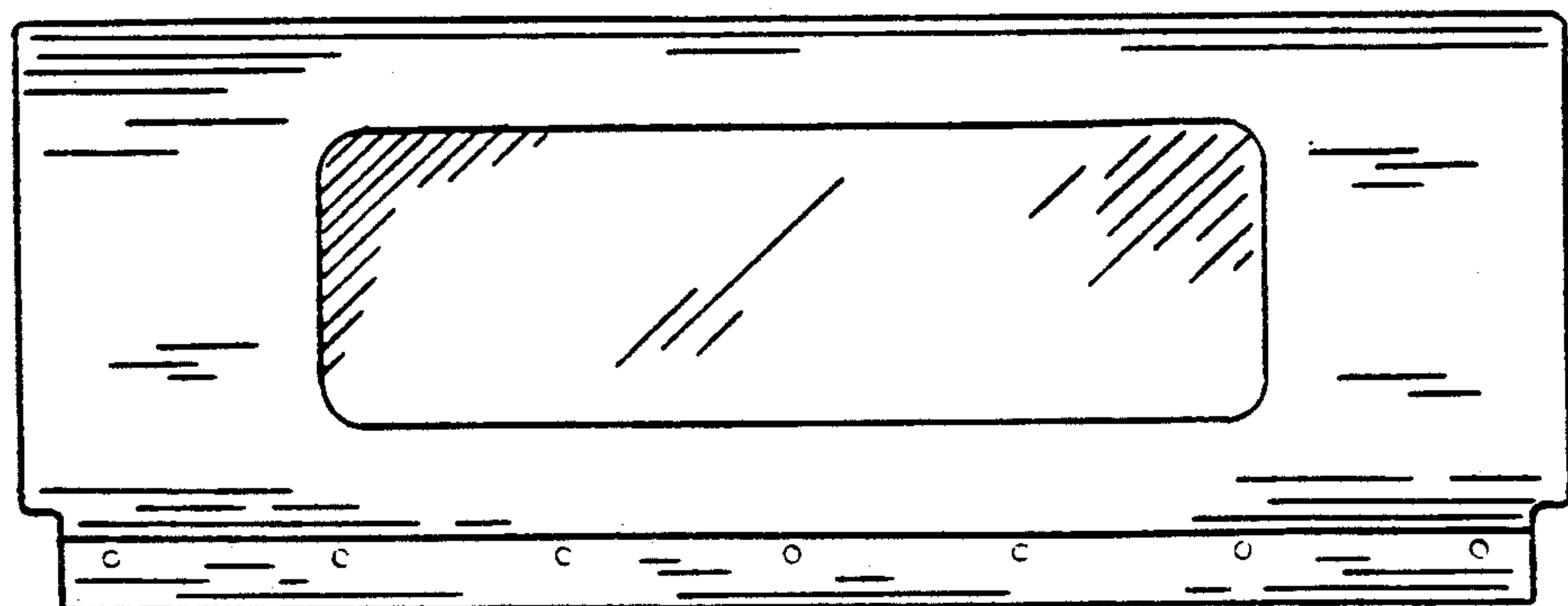


FIG. 8