



US00D326437S

United States Patent [19]

[11] Patent Number: **Des. 326,437**

Kühl et al.

[45] Date of Patent: **** May 26, 1992**

[54] **MOBILE CHAIR**

3,891,268 6/1975 Taylor 297/217
4,707,026 11/1987 Johansson 297/281
4,768,796 9/1988 Friedrich 280/242 WC

[75] Inventors: **Poul Kühl, Ligusternejj; Flemming Moeller; Erik Ernst**, both of Soevind, all of Denmark

Primary Examiner—Kay H. Chin
Attorney, Agent, or Firm—Watson, Cole, Grindle & Watson

[73] Assignee: **R82, Gedved, Denmark**

[**] Term: **14 Years**

[57] **CLAIM**

[21] Appl. No.: **611,370**

The ornamental design for a mobile chair, as shown and described.

[22] Filed: **Nov. 9, 1990**

DESCRIPTION

[52] U.S. Cl. **D12/128; 280/47.4; D12/131**

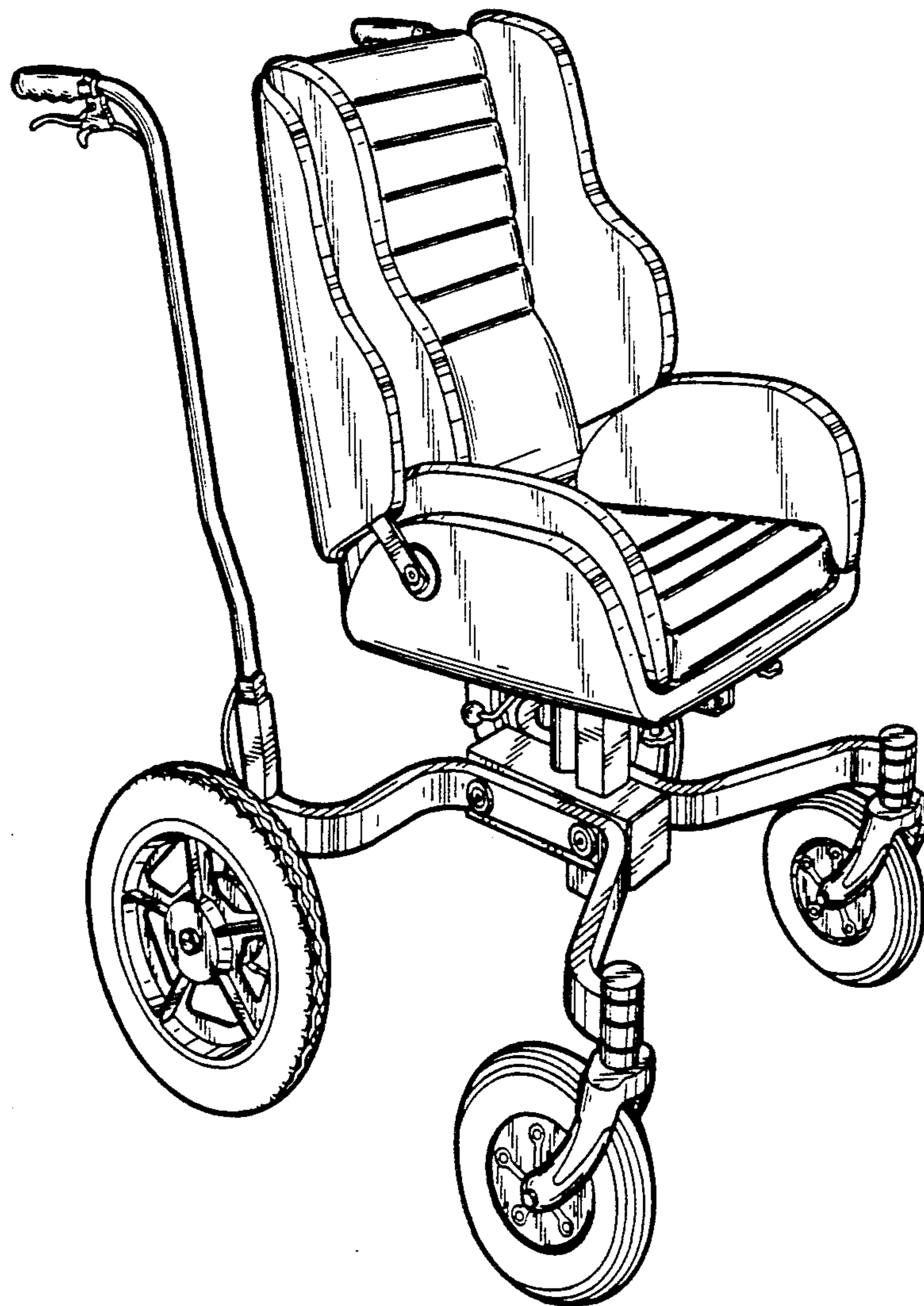
FIG. 1 is a top, front and right side perspective view of a mobile chair showing our new design;
FIG. 2 is a rear perspective view thereof;
FIG. 3 is a top, and front perspective view of the support frame of the mobile chair;
FIG. 4 is a top, front and right side perspective view of the seat of the mobile chair; and,
FIG. 5 is a bottom and left side perspective view of the seat of the mobile chair.

[58] Field of Search **D12/128, 131; D6/368, D6/356, 333; 297/4, 5, 217, 352, DIG. 4, 281, 284; 280/47.38, 47.4, 650, 647, 657, 250.1**

[56] **References Cited**

U.S. PATENT DOCUMENTS

D. 240,414 7/1976 Thomas D12/131



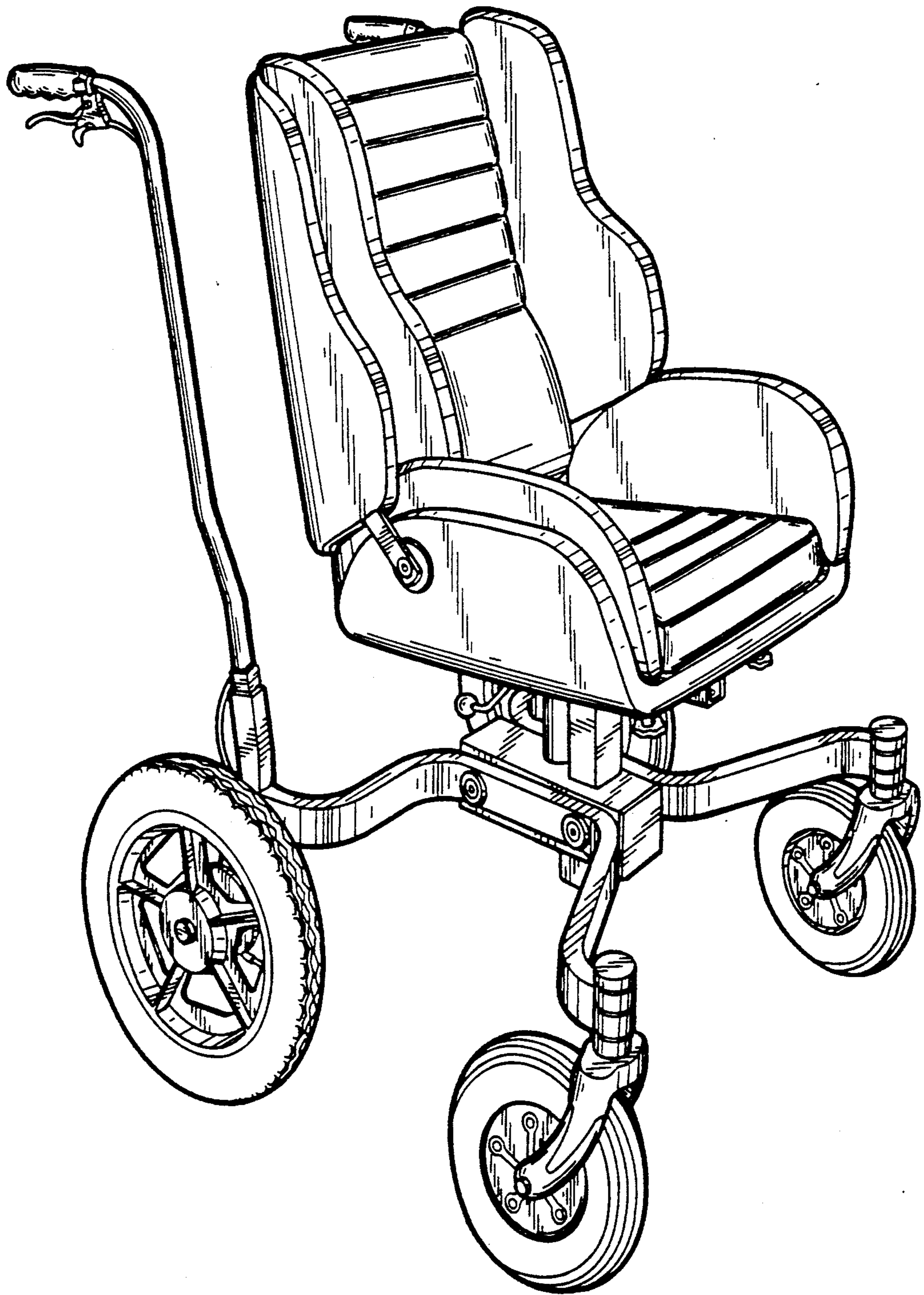


FIG. 1

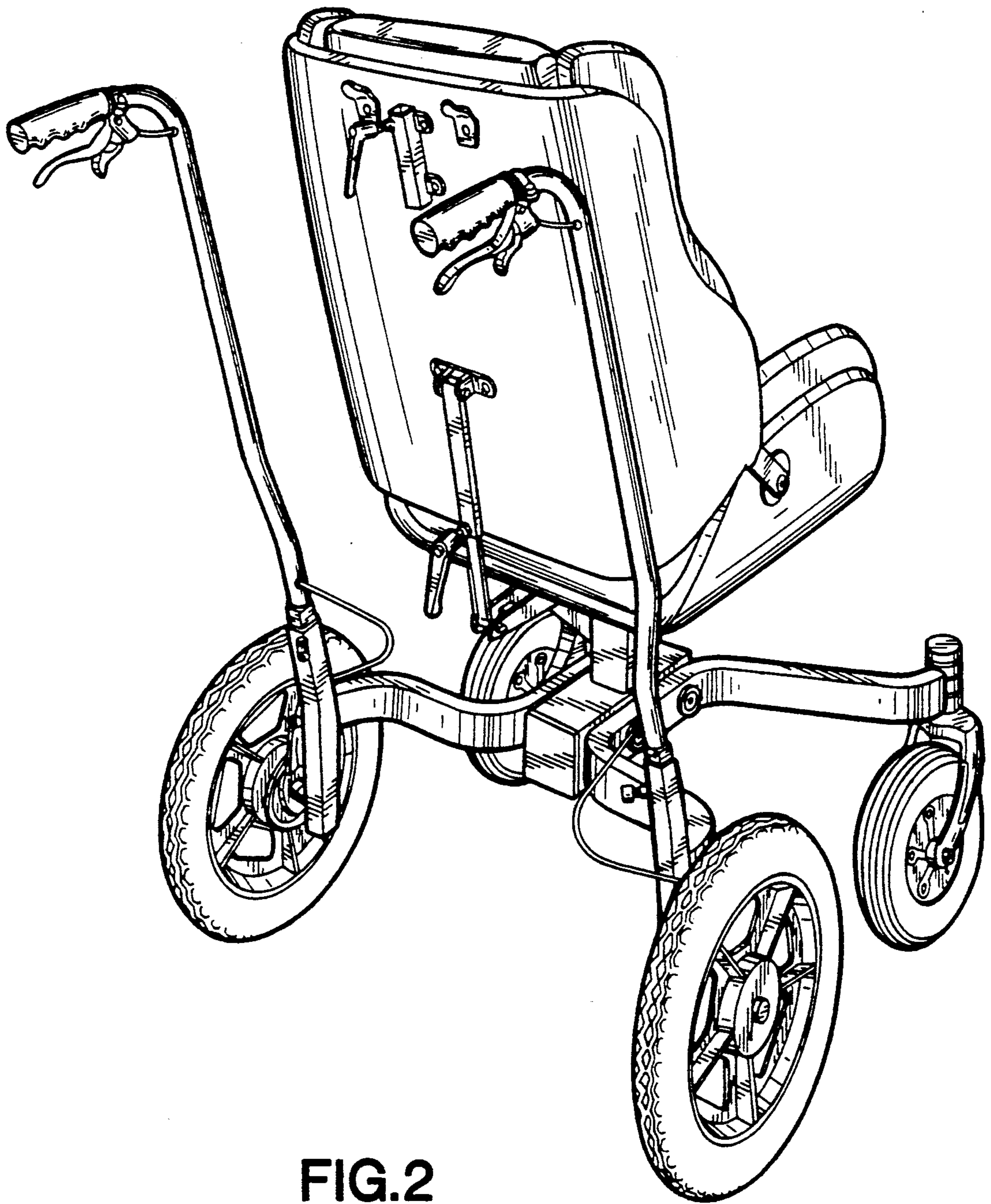


FIG.2

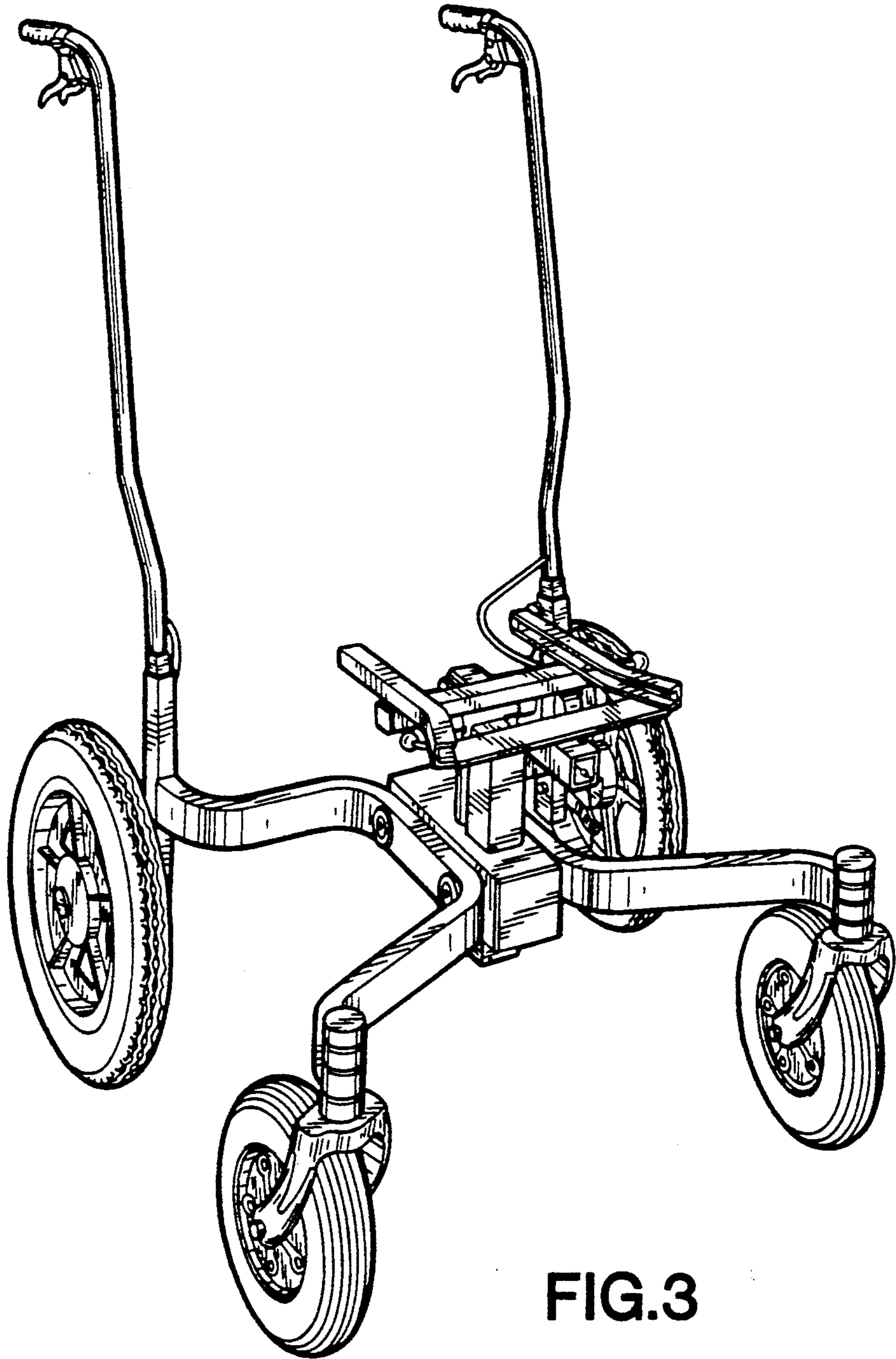


FIG. 3

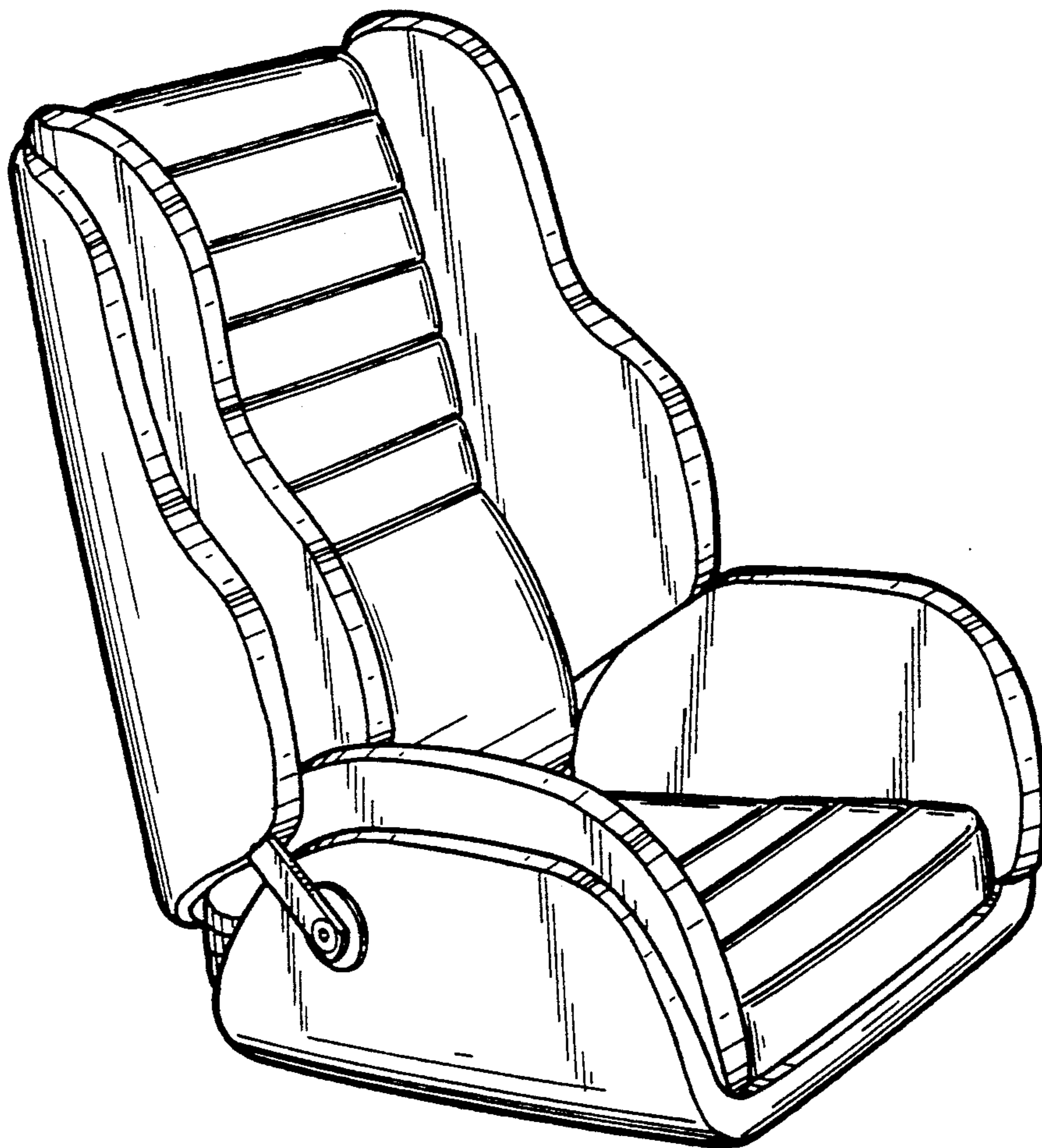


FIG.4

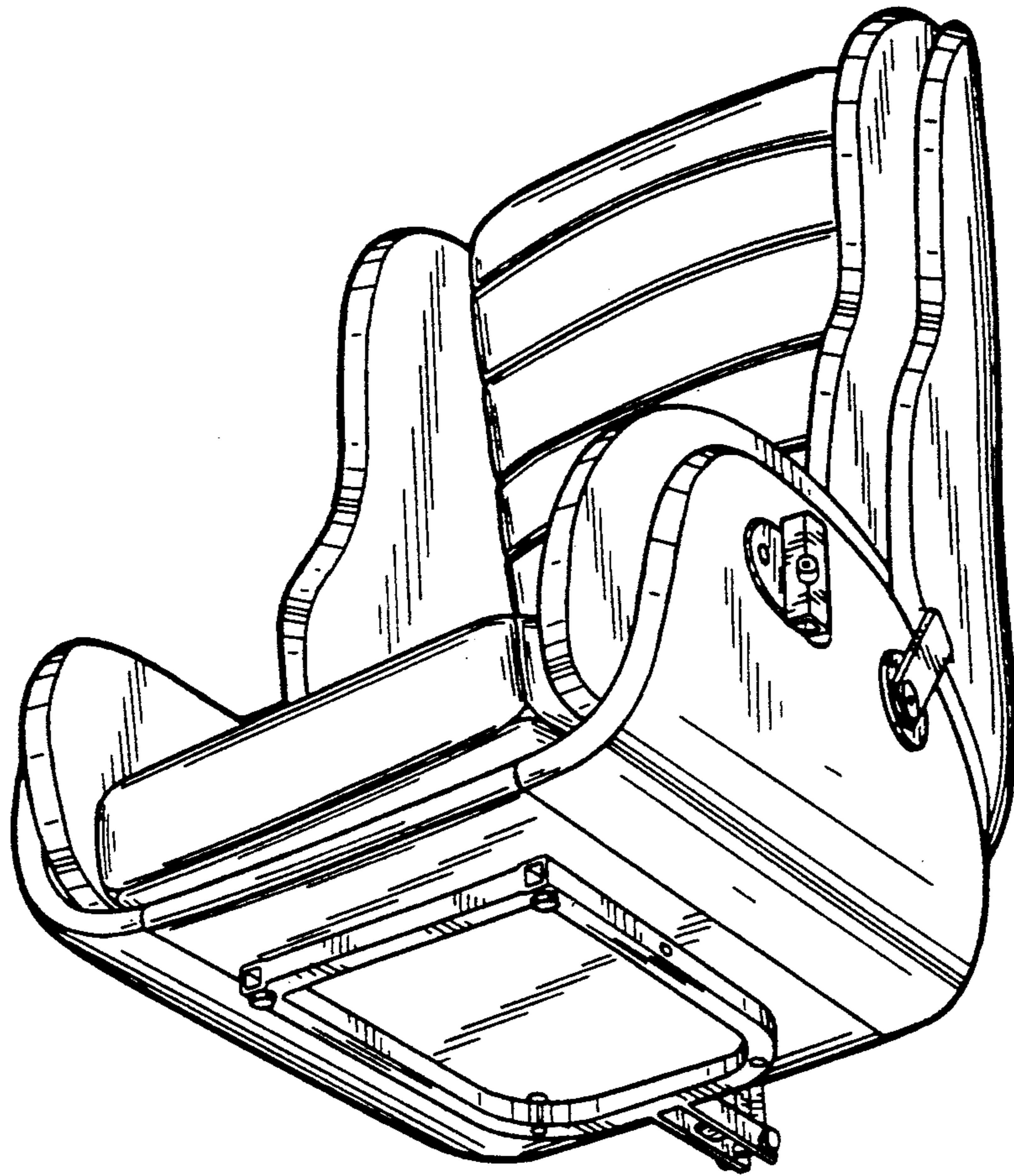


FIG.5