



US00D326432S

# United States Patent [19]

McNulty

[11] Patent Number: Des. 326,432

[45] Date of Patent: \*\* May 26, 1992

[54] AUTOMOBILE WINDSHIELD PENNANT

[76] Inventor: William J. McNulty, 527 E. Minor Dr., Kansas City, Mo. 64131

[\*\*] Term: 14 Years

[21] Appl. No.: 476,015

[22] Filed: Feb. 6, 1990

[52] U.S. Cl. .... D11/166

[58] Field of Search ..... D11/165, 166, 181; D12/155; 40/597; 116/173-175

[56] **References Cited**

**U.S. PATENT DOCUMENTS**

- D. 29,194 8/1898 Whitney et al. .... D11/181
- D. 233,510 11/1974 Baker ..... D11/166 X
- 1,665,535 4/1928 Davis ..... 116/173

- 1,672,134 6/1928 Pitt et al. .... D11/166 X
- 2,431,838 12/1947 Staley ..... 116/175
- 3,208,173 9/1965 Shank ..... 40/597 X
- 4,352,461 10/1982 Orta et al. .... 40/597 X
- 4,633,215 12/1986 Anders et al. .... 116/173 X
- 4,667,428 5/1987 Elmer ..... 40/597 X
- 4,953,315 4/1990 Romine ..... 40/597 X

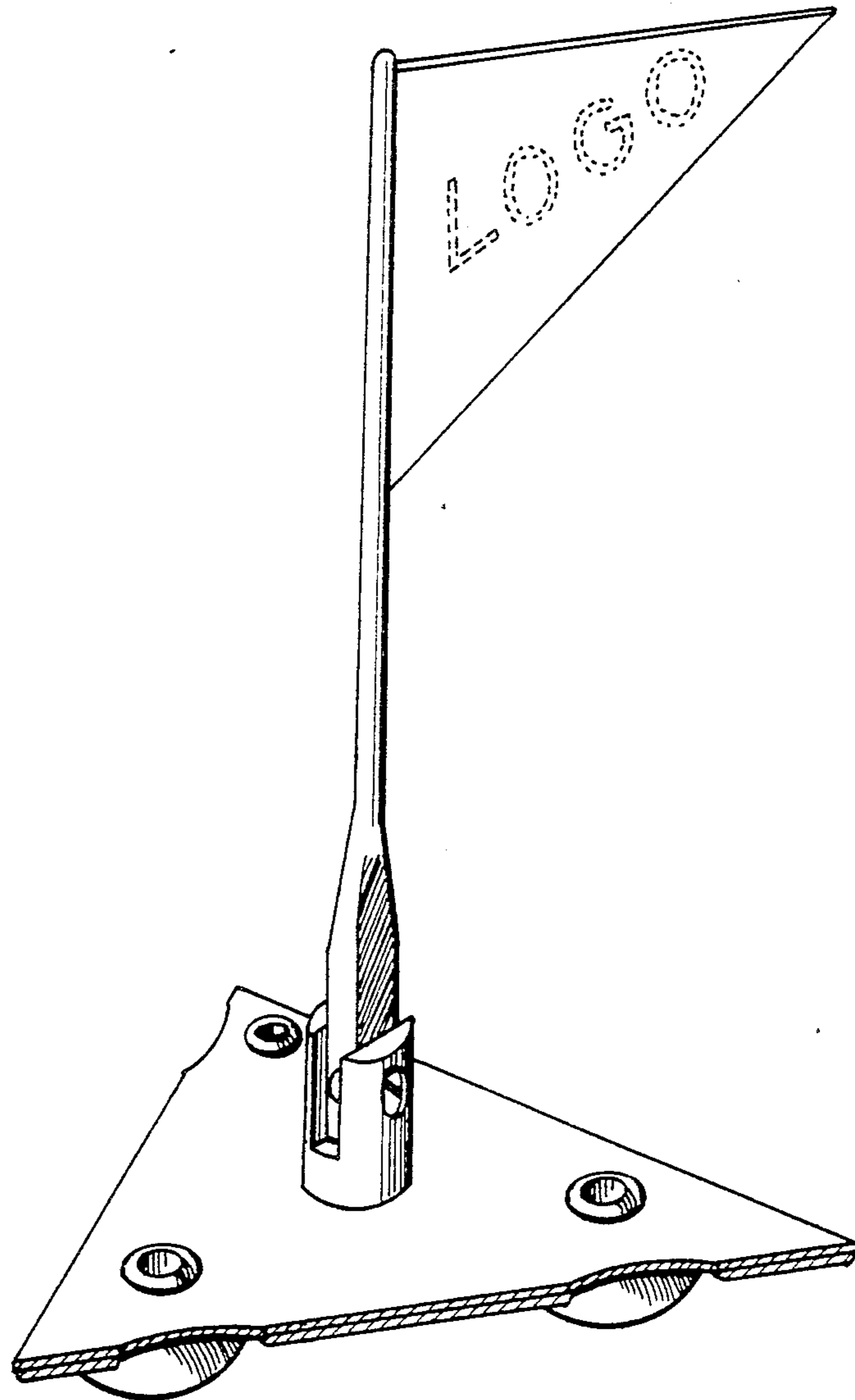
*Primary Examiner*—Bernard Ansher  
*Assistant Examiner*—Dominic Simone  
*Attorney, Agent, or Firm*—William W. Stagg

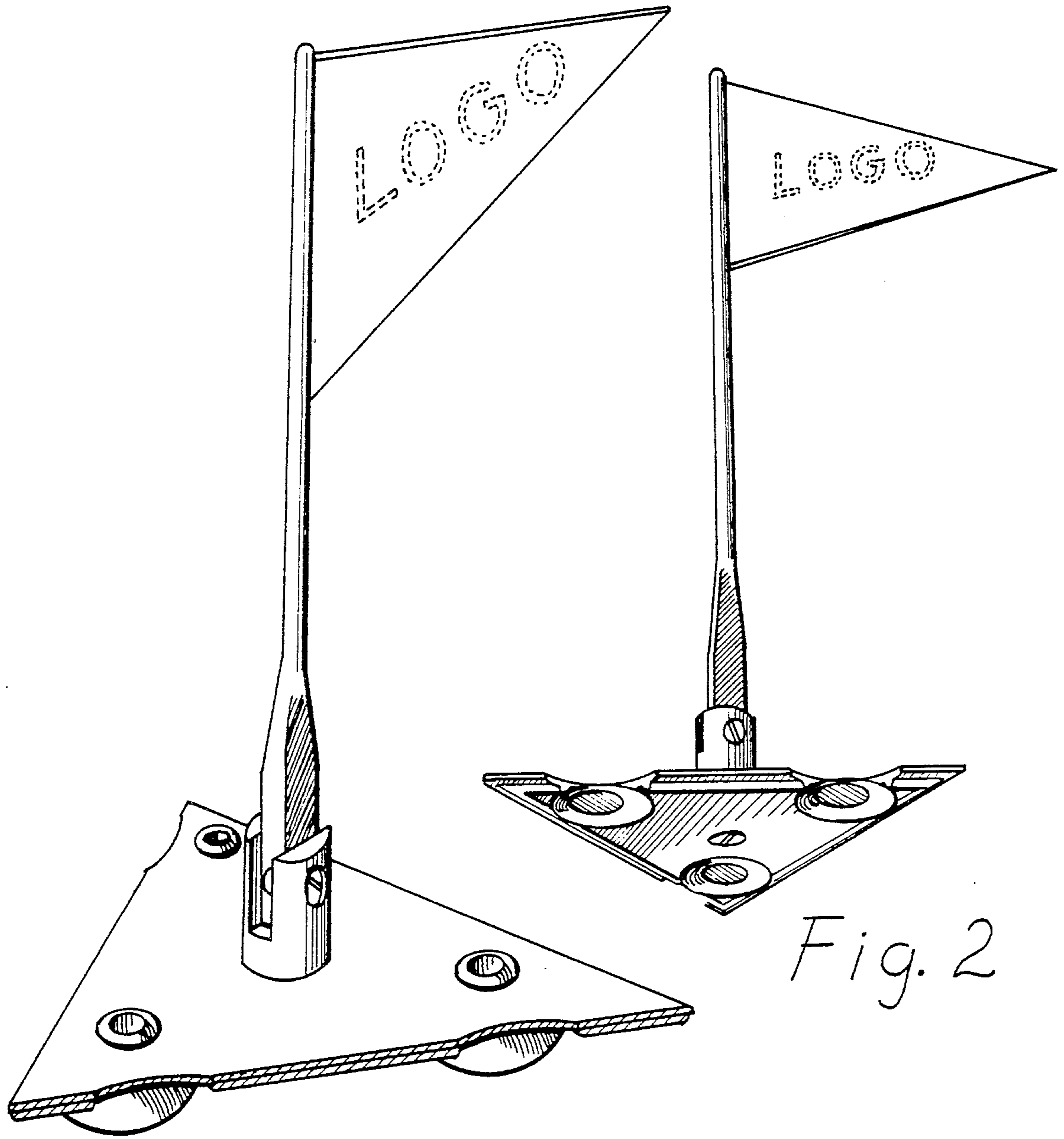
[57] **CLAIM**

The ornamental design for an automobile windshield pennant or similar article, as shown and described.

**DESCRIPTION**

FIG. 1 is top perspective view of an automobile windshield pennant showing my new design; and, FIG. 2 is a bottom perspective view thereof.





*Fig. 1*

*Fig. 2*