



US00D326427S

# United States Patent [19]

[11] Patent Number: Des. 326,427

Matsuda

[45] Date of Patent: \*\* May 26, 1992

[54] CLOCK MOVEMENT

[75] Inventor: Takumi Matsuda, Tokyo, Japan

[73] Assignee: Seikosha Co., Ltd., Japan

[\*\*] Term: 14 Years

[21] Appl. No.: 549,695

[22] Filed: Jul. 9, 1990

[52] U.S. Cl. .... D10/129

[58] Field of Search ..... D10/1-40,  
D10/122-132; 368/88, 220, 300

4,175,374 11/1979 Yoshiawa ..... 368/300  
 4,272,841 6/1981 Schultheiss ..... 368/276 X  
 4,464,062 8/1984 Inage ..... 368/220

Primary Examiner—Nelson C. Holtje  
 Attorney, Agent, or Firm—Bruce L. Adams; Van C. Wilks

### [57] CLAIM

The ornamental design for a clock movement, as shown and described.

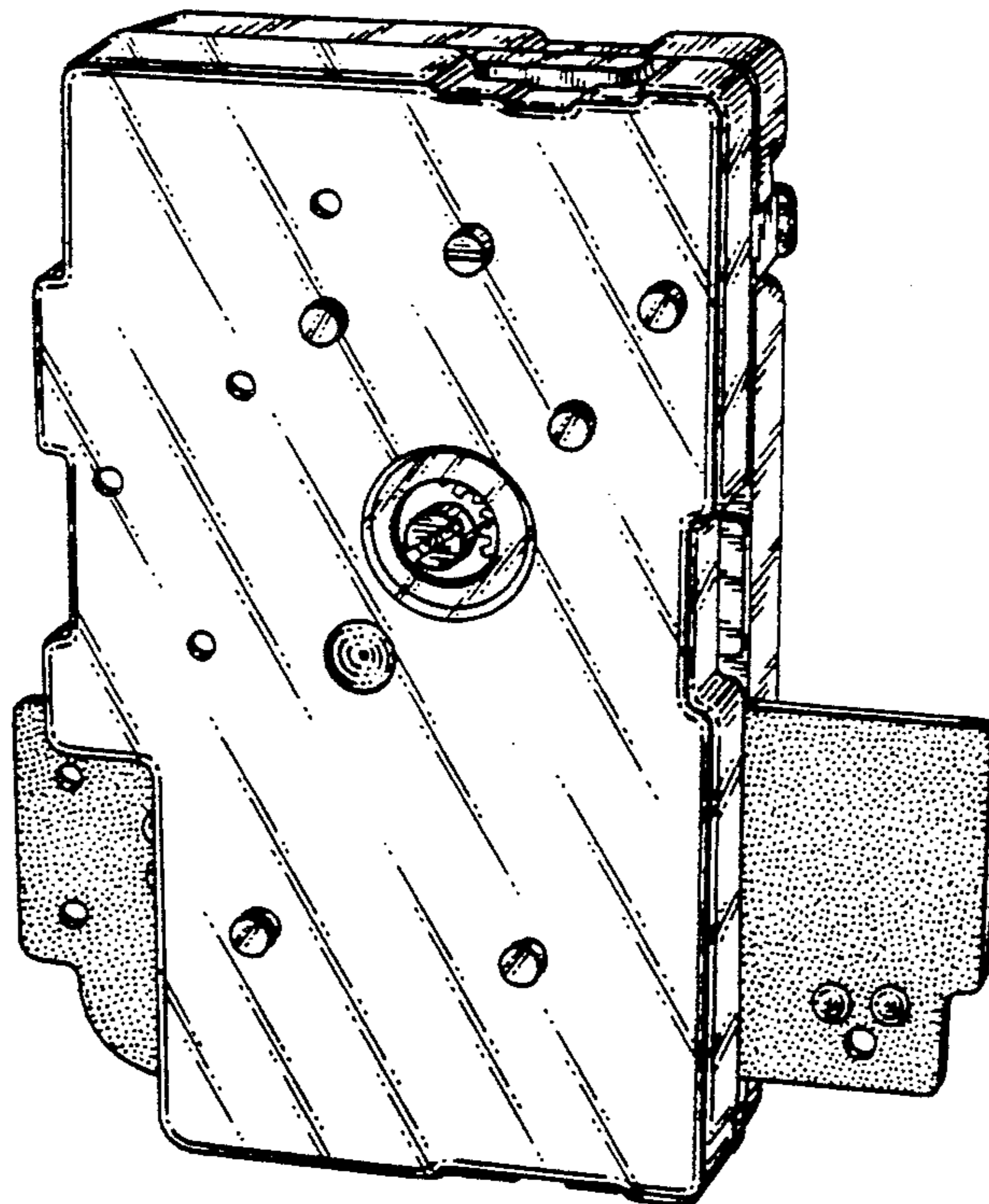
### DESCRIPTION

FIG. 1 is a front elevational view of a clock movement showing my new design;  
 FIG. 2 is a rear elevational view thereof;  
 FIG. 3 is a top plan view thereof;  
 FIG. 4 is a bottom plan view thereof;  
 FIG. 5 is a left side elevational view thereof;  
 FIG. 6 is a right side elevational view thereof;  
 FIG. 7 is a front right perspective view thereof; and,  
 FIG. 8 is a rear right perspective view thereof.

[56] References Cited

U.S. PATENT DOCUMENTS

D. 303,226	9/1989	Moritaka	.....	D10/129
D. 303,227	9/1989	Hayakawa	.....	D10/129
D. 303,228	9/1989	Ikeda	.....	D10/129
D. 311,352	10/1990	Tanaka	.....	D10/129
D. 318,027	7/1991	Moritaka	.....	D10/129
3,049,861	8/1962	Jensen	.....	368/300



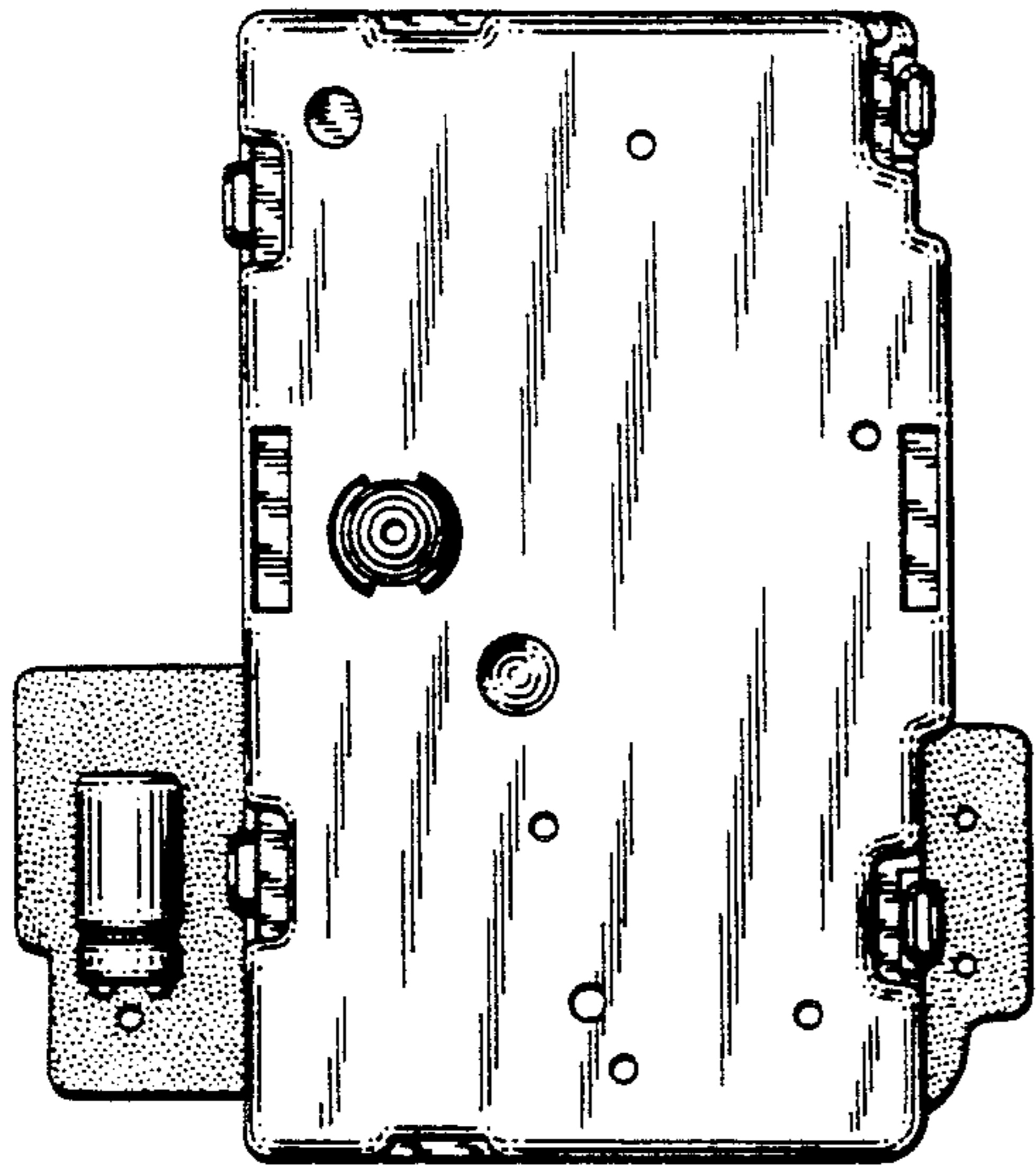


FIG. 1

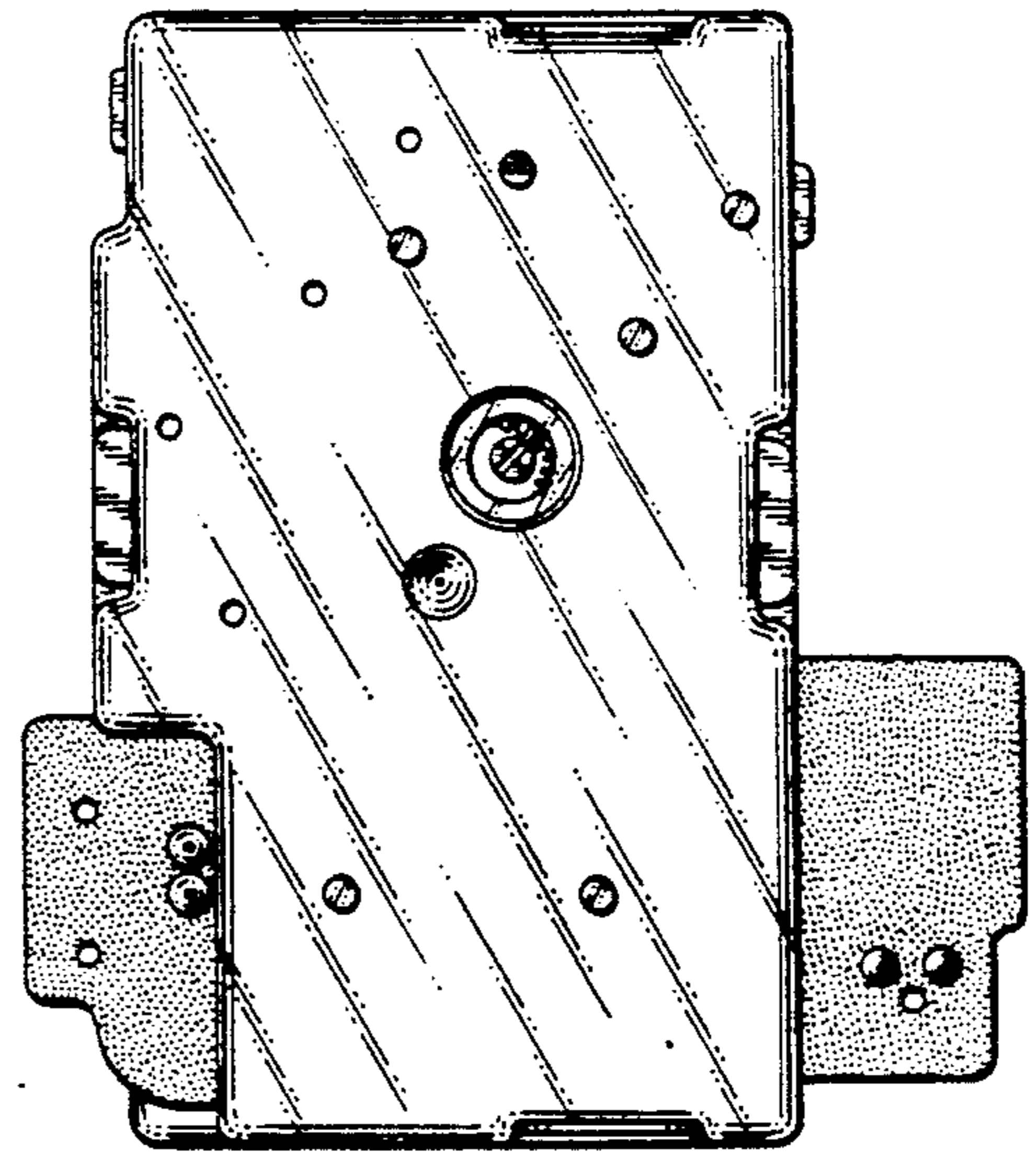


FIG. 2

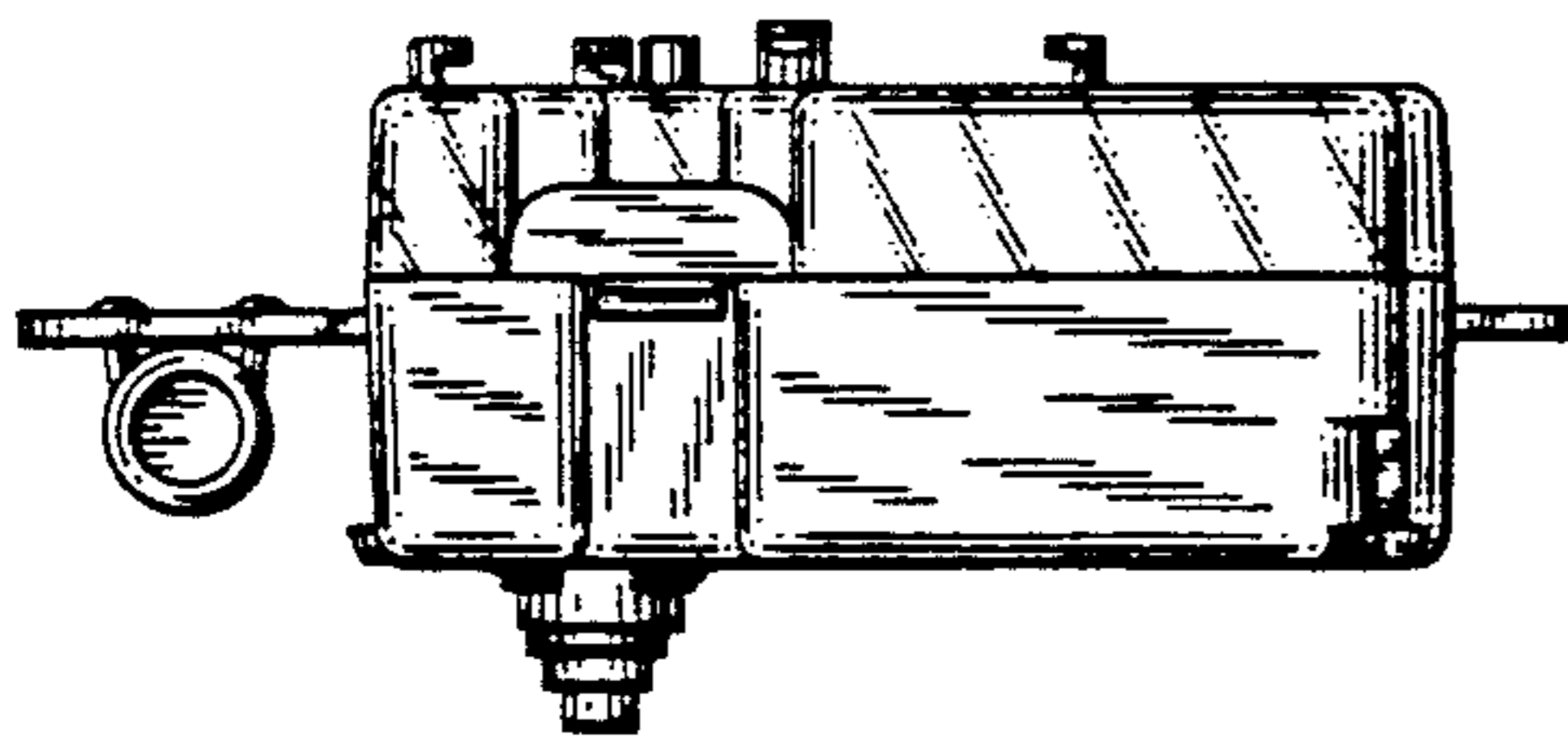


FIG. 3

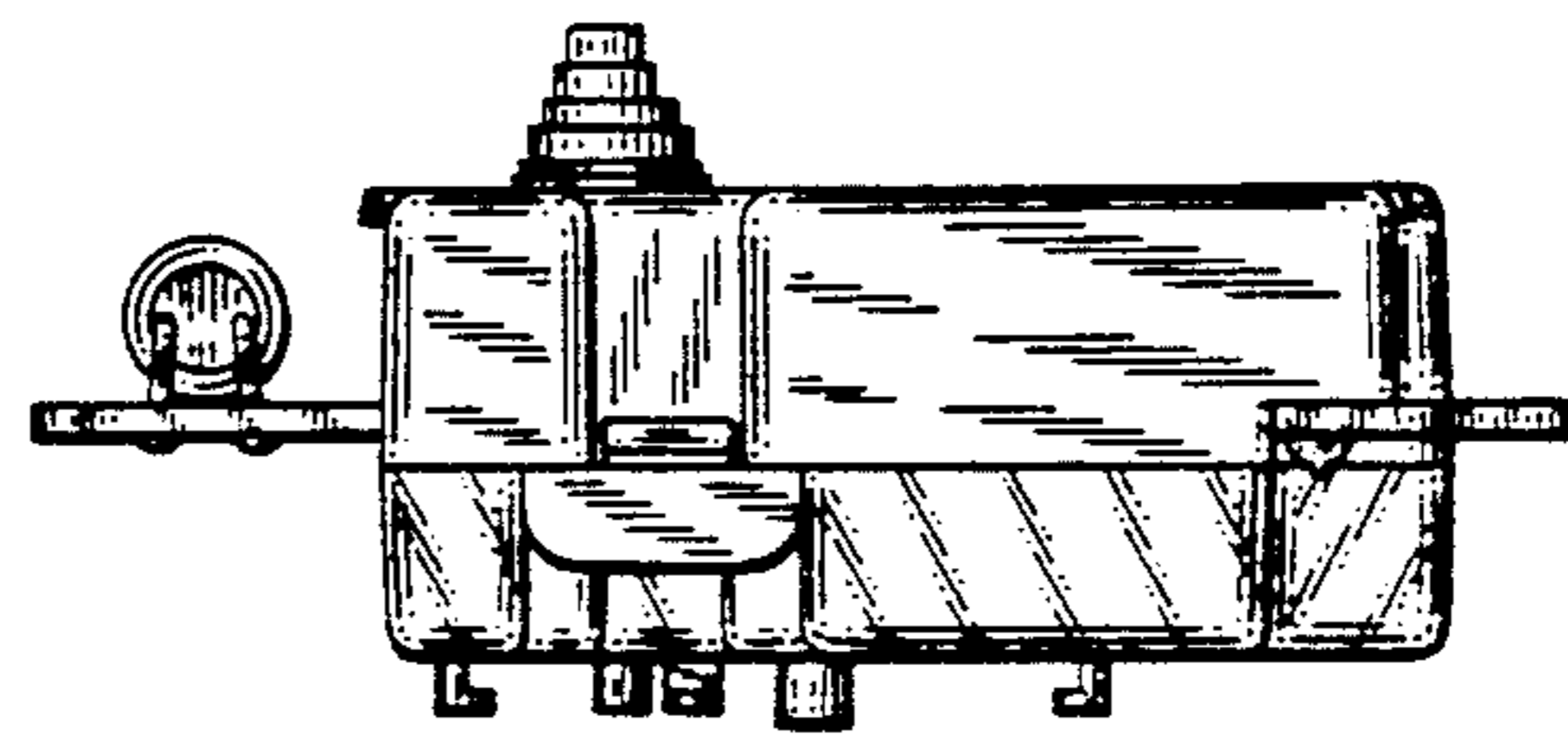


FIG. 4

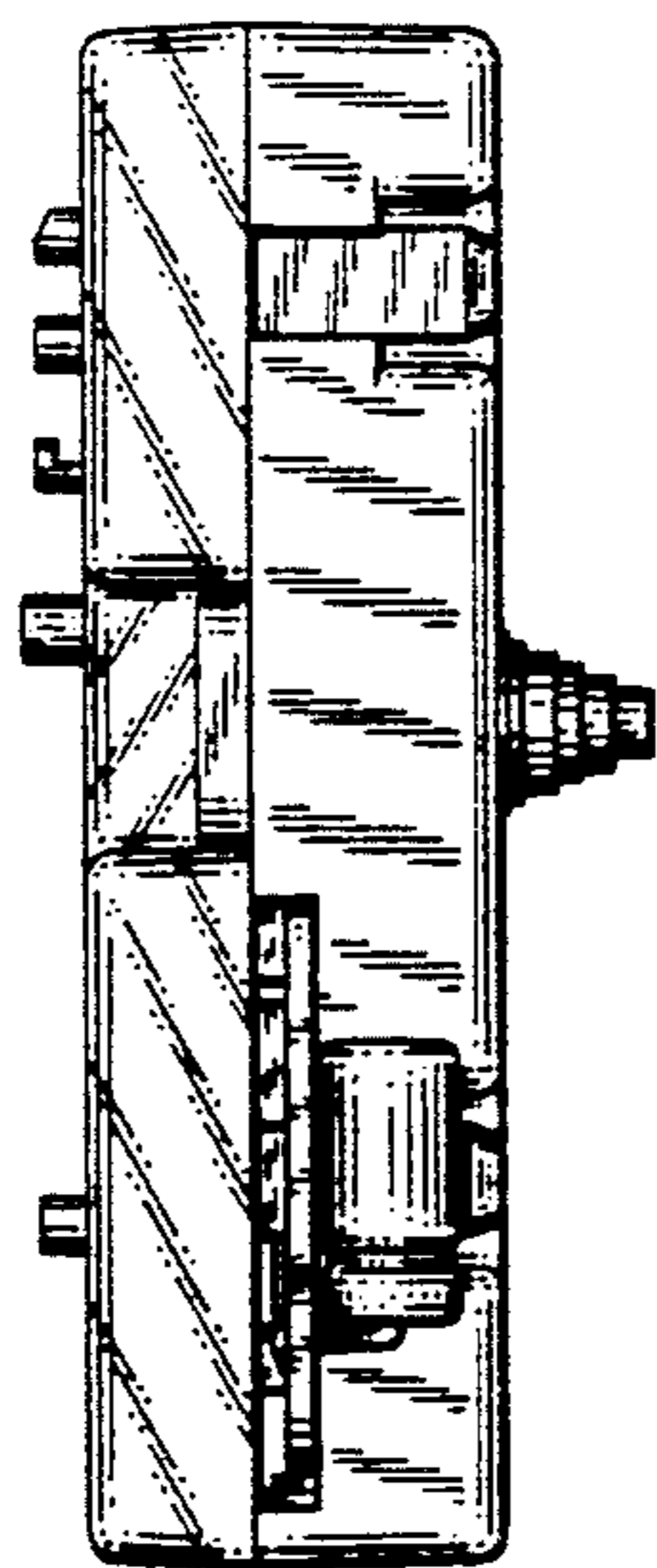


FIG. 5

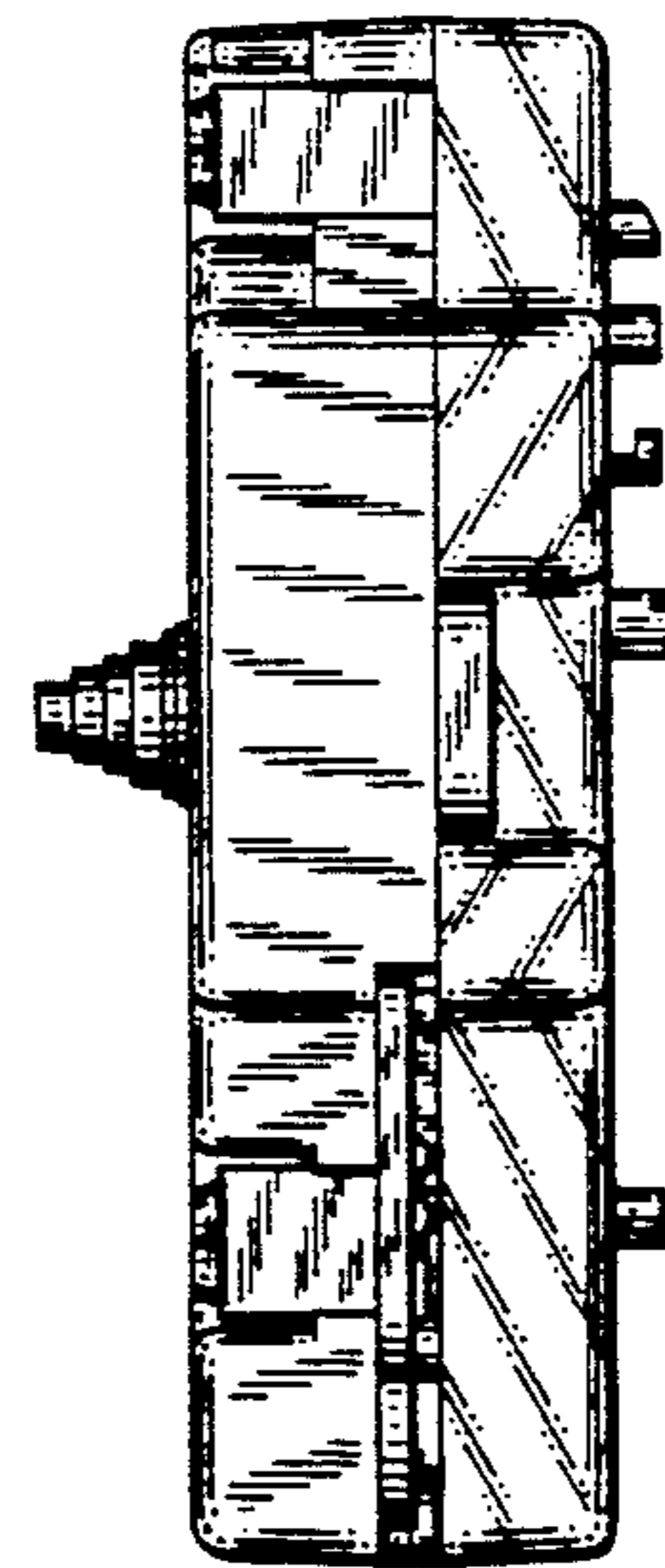
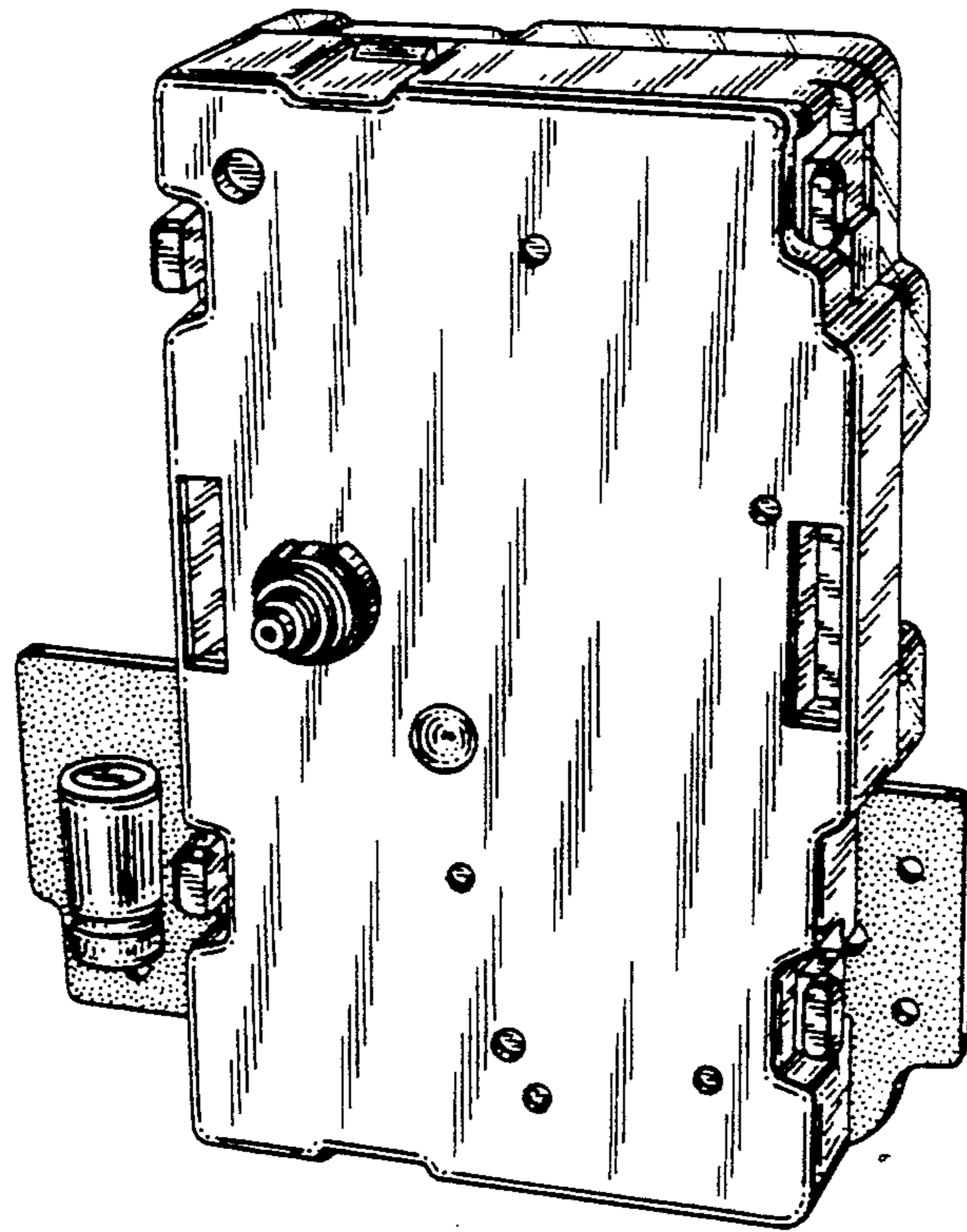
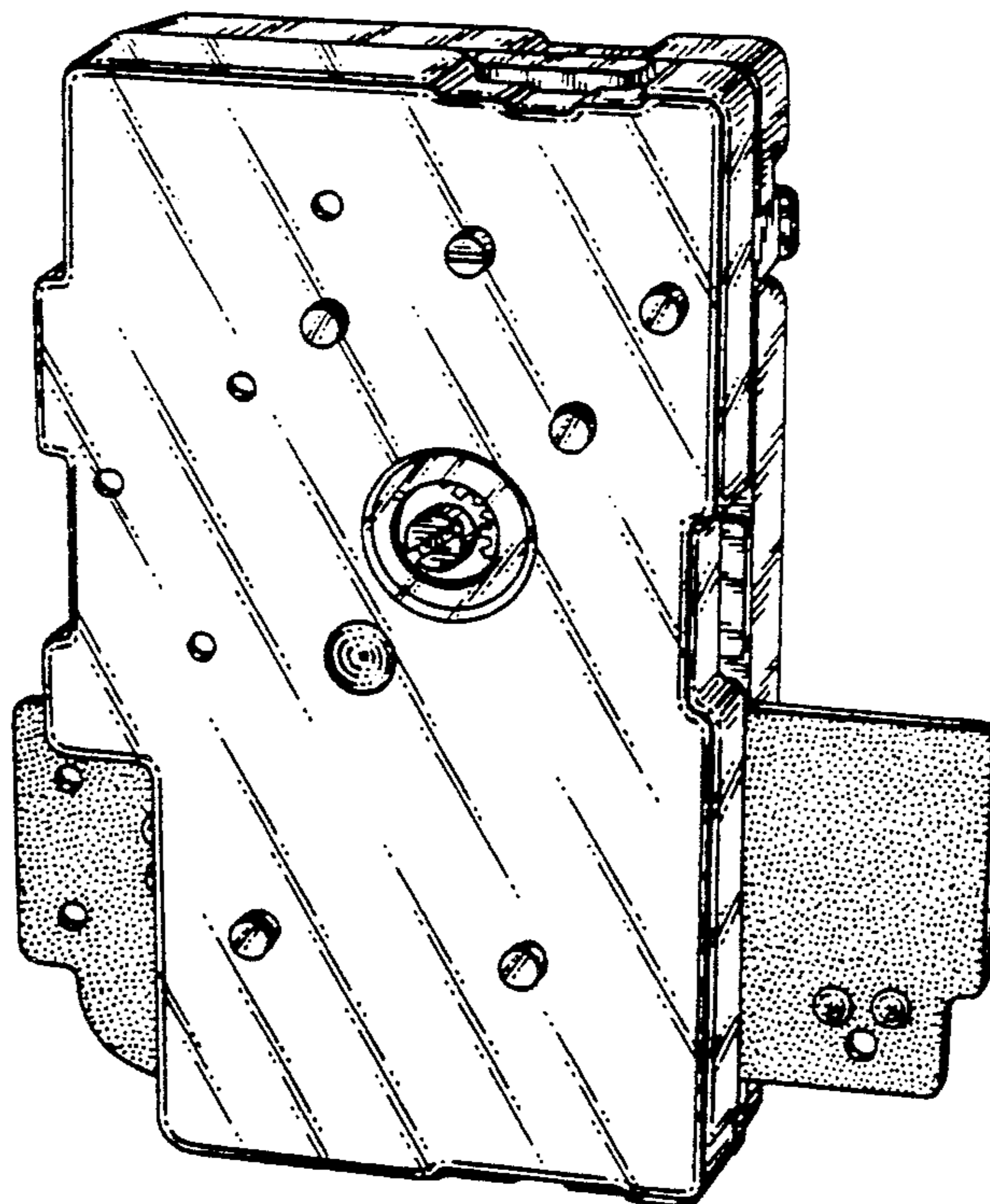


FIG. 6



*FIG. 7*



*FIG. 8*