



US00D326425S

United States Patent [19]

[11] Patent Number: **Des. 326,425**

Smith, Sr.

[45] Date of Patent: **** May 26, 1992**

[54] **PORTABLE CHEMILUMINESCENT MARKER**

3,938,465 2/1976 Lyons 362/34 X
4,768,136 8/1988 Tashjian 362/84

[76] Inventor: **Jacob O. Smith, Sr.**, 601 Armenia Dr., Pensacola, Fla. 32505

Primary Examiner—Susan J. Lucas
Attorney, Agent, or Firm—George A. Bode

[**] Term: **14 Years**

[57] **CLAIM**

[21] Appl. No.: **491,846**

The ornamental design for a portable chemiluminescent marker, as shown and described.

[22] Filed: **Mar. 12, 1990**

DESCRIPTION

[52] U.S. Cl. **D10/114; D26/37**

FIG. 1 is a top plan view of a portable chemiluminescent marker showing my new design;

[58] Field of Search **D26/37, 138, 140; D10/114; 362/34, 84, 370**

FIG. 2 is a front elevational view thereof, the rear being a mirror image;

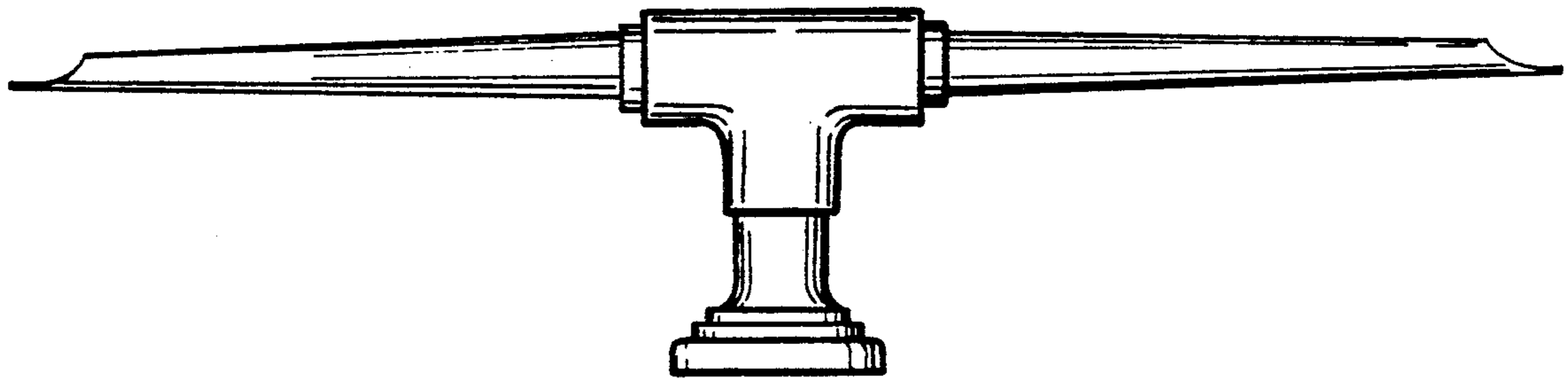
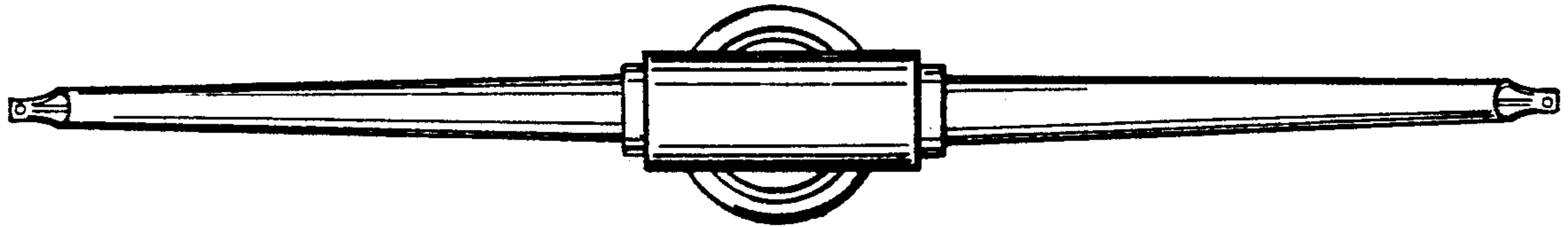
FIG. 3 is a bottom plan view thereof; and,

FIG. 4 is a side elevational view thereof, the opposite side being a mirror image.

[56] **References Cited**

U.S. PATENT DOCUMENTS

D. 300,602 4/1989 Smith, Sr. D26/37 X



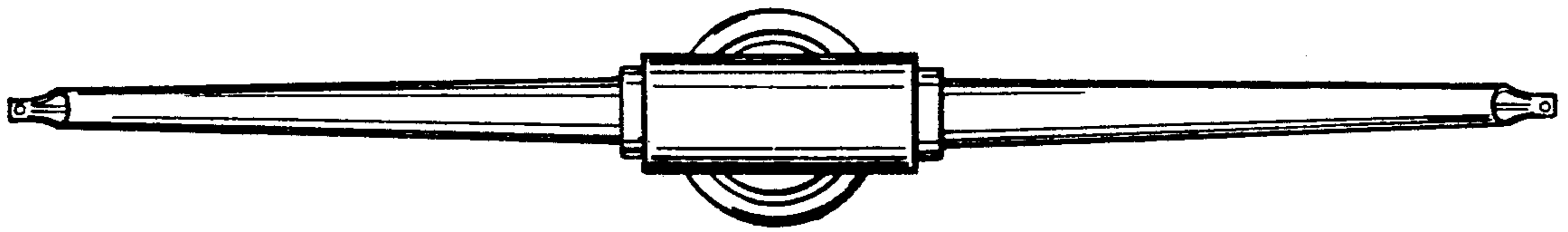


FIG. 1

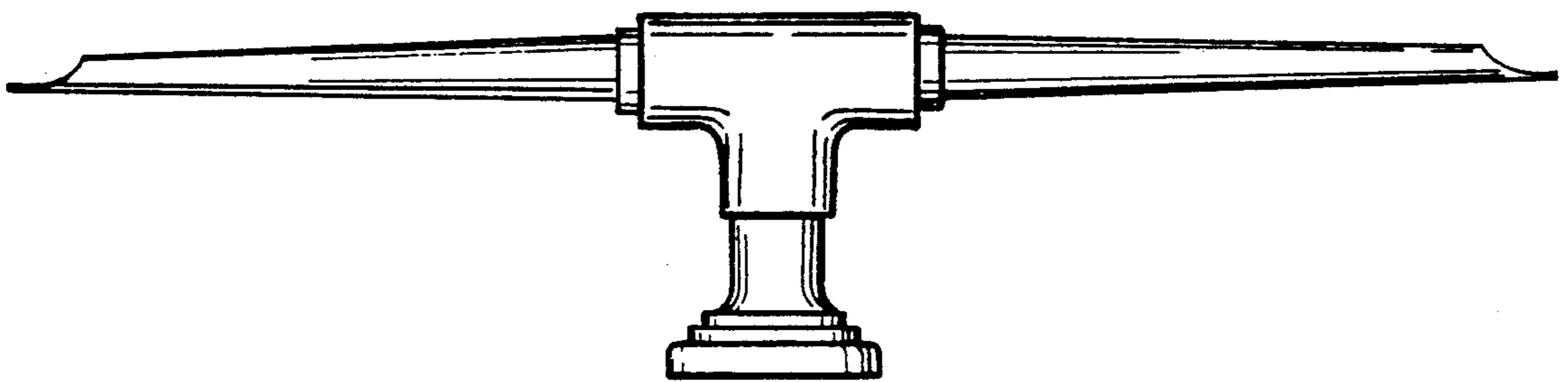


FIG. 2

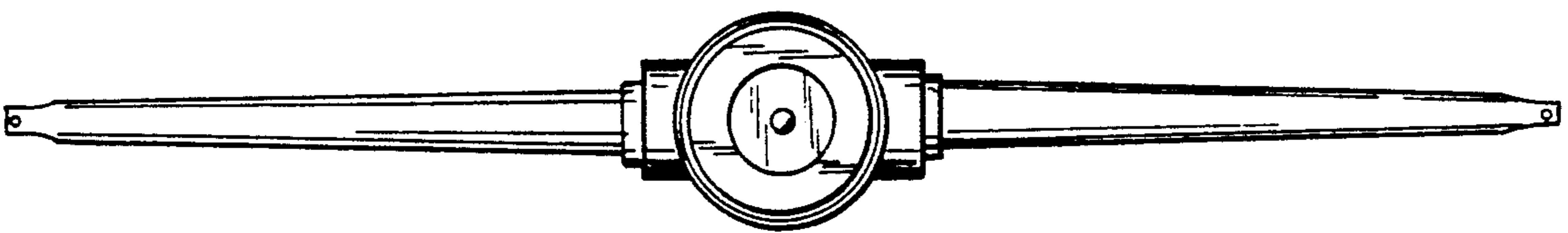


FIG. 3

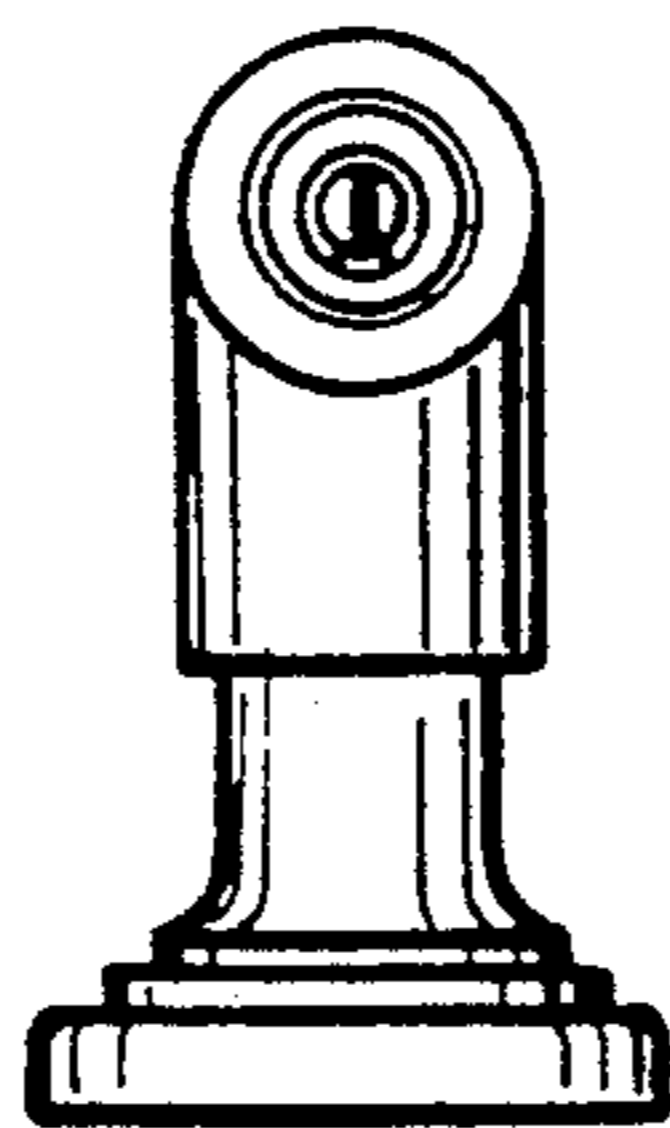


FIG. 4