



US00D326420S

United States Patent [19] Reitano

[11] Patent Number: Des. 326,420
[45] Date of Patent: ** May 26, 1992

[54] LEVEL
[76] Inventor: Thomas Reitano, 59 A Locust Ave.
#61, New Rochelle, N.Y. 10801
[**] Term: 14 Years
[21] Appl. No.: 447,247
[22] Filed: Dec. 7, 1989
[52] U.S. Cl. D10/69
[58] Field of Search D10/69; 33/365, 366,
33/367, 451

4,152,839 5/1979 McDonald 33/366
4,565,101 1/1986 Herman .
4,574,491 3/1986 Vining 33/366

Primary Examiner—Bruce W. Dunkins
Assistant Examiner—Antoine D. Davis
Attorney, Agent, or Firm—Terry M. Gernstein

[57] CLAIM

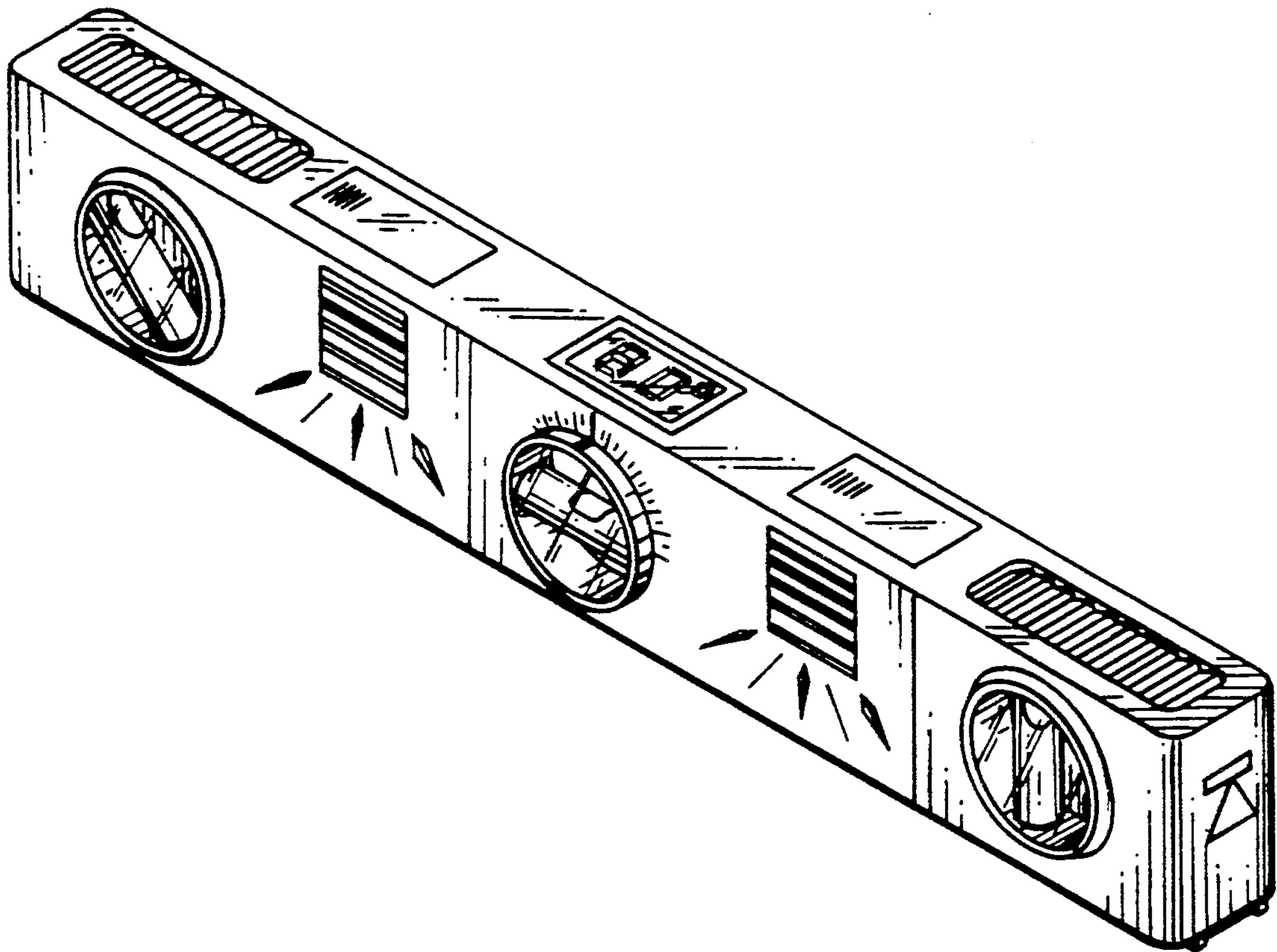
The ornamental design for a level, as shown and described.

DESCRIPTION

FIG. 1 is a top, front and right side perspective view of a level showing my design;
FIG. 2 is a rear elevational view thereof;
FIG. 3 is a bottom plan view;
FIG. 4 is a front elevational view;
FIG. 5 is a top plan view;
FIG. 6 is a right side elevational view; and,
FIG. 7 is a left side elevational view thereof.

[56] **References Cited**
U.S. PATENT DOCUMENTS

43,192	10/1912	Disston	D10/69
D. 269,255	6/1983	Olson	D10/69
3,786,472	1/1974	Scopacasa	.	
3,861,052	1/1975	Siegfried	.	
4,003,134	1/1977	Adams	33/366 X
4,079,521	3/1978	Vhorczak	33/366



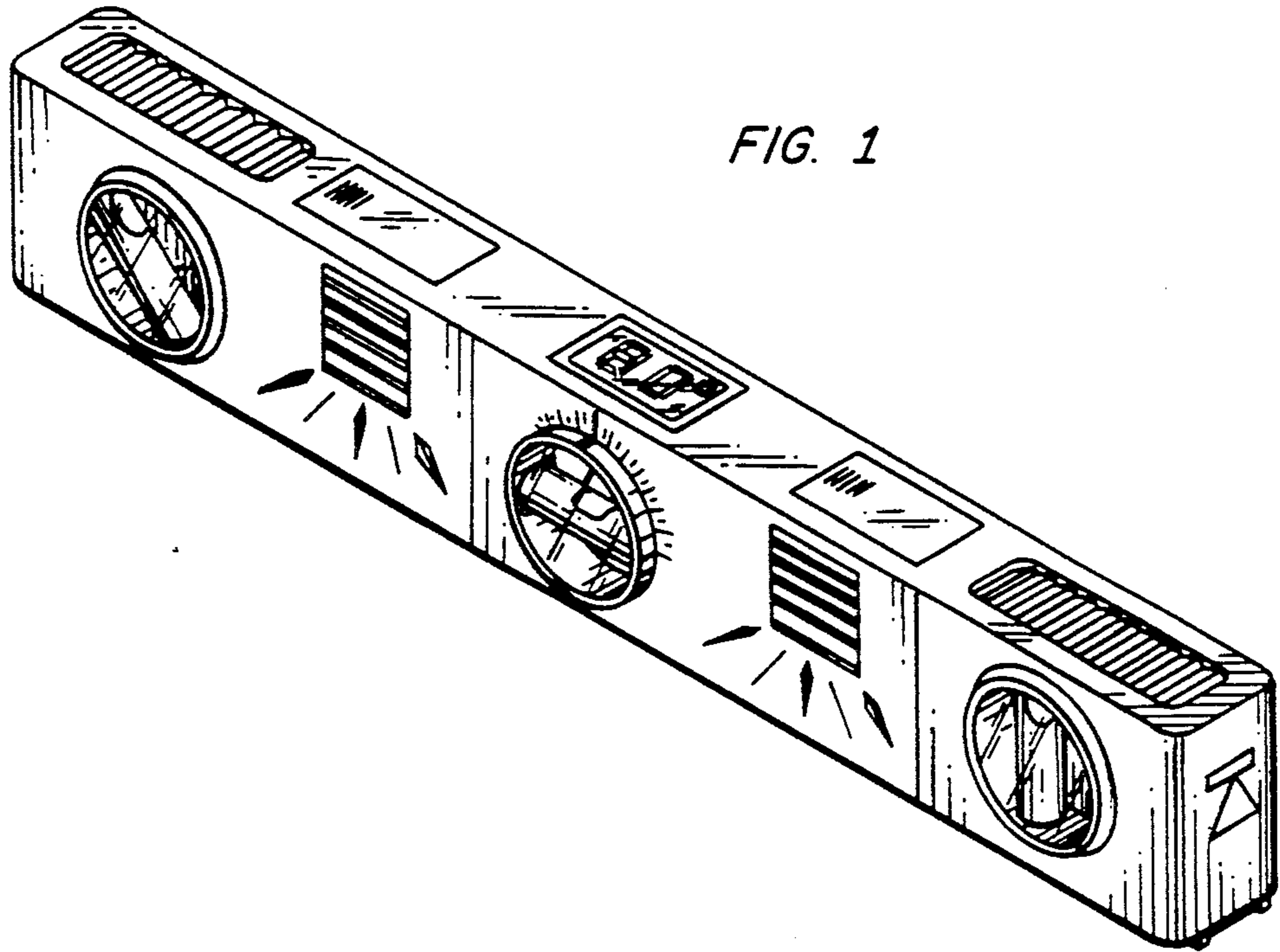


FIG. 2

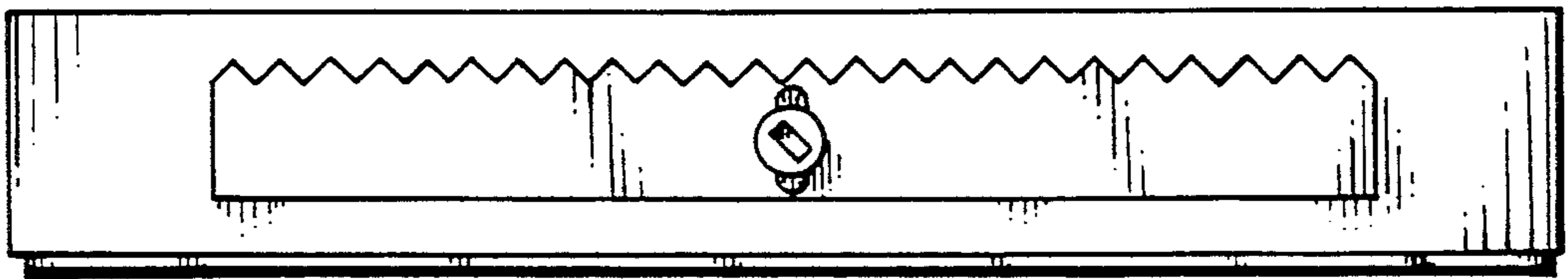
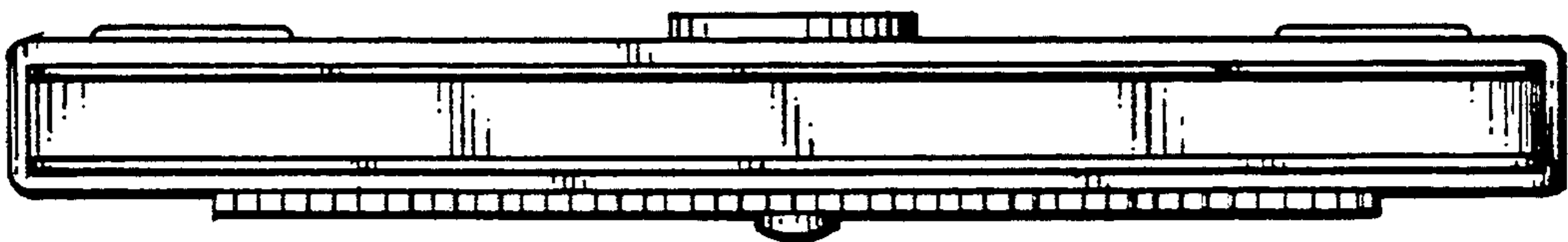


FIG. 3



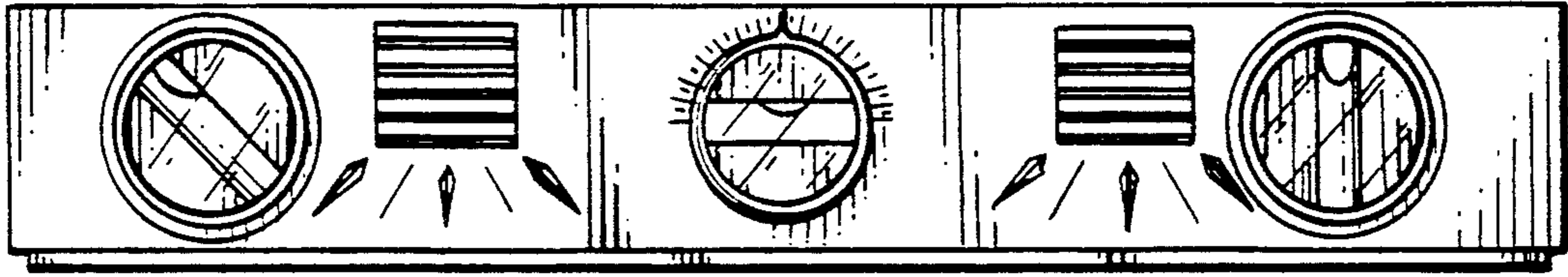


FIG. 4

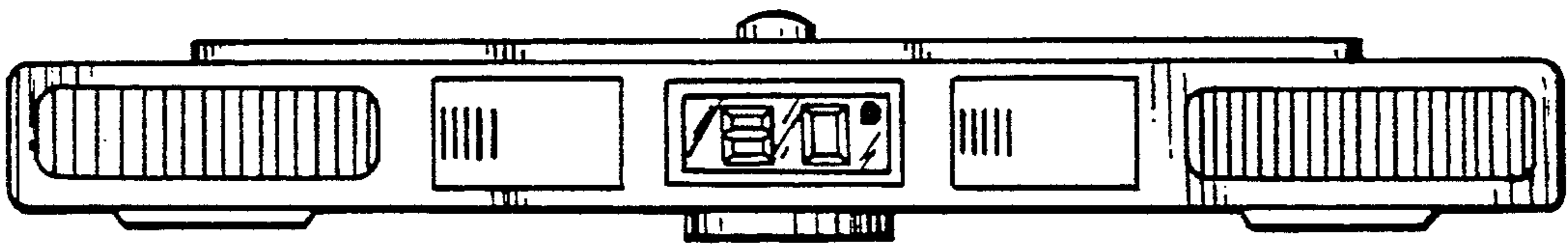


FIG. 5

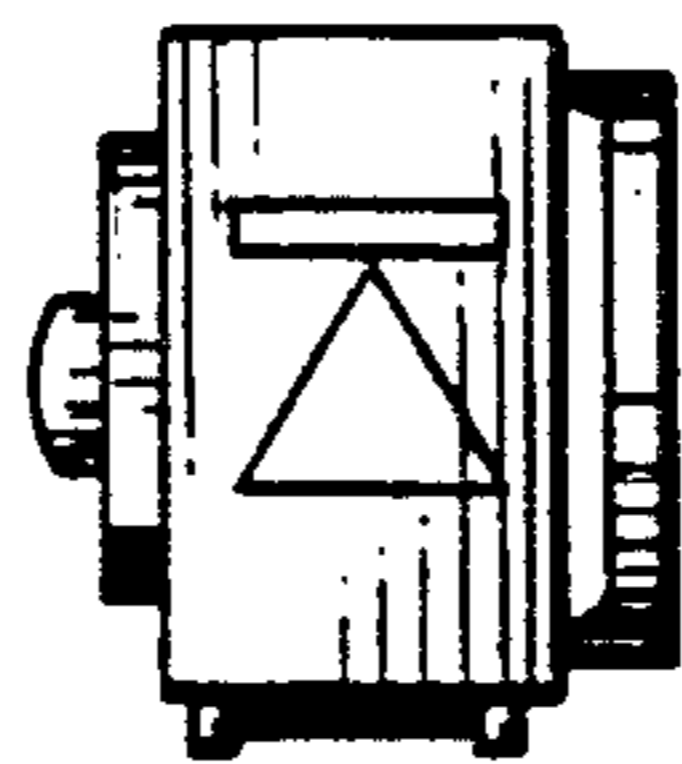


FIG. 6

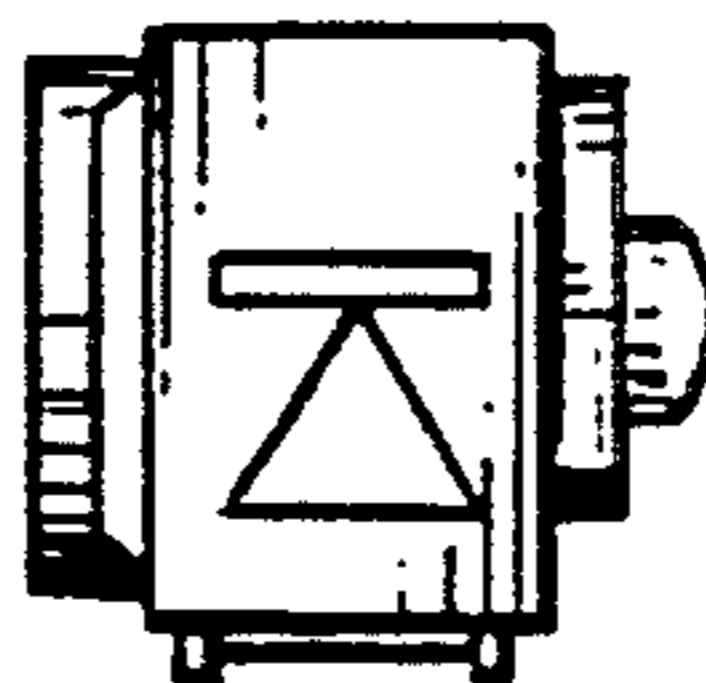


FIG. 7