



US00D326419S

United States Patent [19] Bulgari

[11] Patent Number: Des. 326,419

[45] Date of Patent: ** May 26, 1992

[54] WRISTWATCH

[75] Inventor: Gianni Bulgari, Rome, Italy

[73] Assignee: Gianni Bulgari S.p.A., Rome, Italy

[**] Term: 14 Years

[21] Appl. No.: 304,373

[22] Filed: Jan. 31, 1989

[52] U.S. Cl. D10/39

[58] Field of Search D10/30-33,
D10/38, 39, 122-126; 368/223-232, 276-278,
281, 292-296

FOREIGN PATENT DOCUMENTS

918064 11/1945 France 368/281
339878 9/1959 Switzerland 368/232

OTHER PUBLICATIONS

Jeweler's Circular—Keystone, Flat Quartz Calender #20-95-210, p. 34, Mar. 1979.

Primary Examiner—Bruce W. Dunkins

Assistant Examiner—Antoine D. Davis

Attorney, Agent, or Firm—Sughrue, Mion, Zinn, Macpeak & Seas

[57] CLAIM

The ornamental design for a wristwatch, as shown.

DESCRIPTION

FIG. 1 is a front elevational view of a wristwatch showing my new design;

FIG. 2 is a top plan view;

FIG. 3 is a bottom plan view;

FIG. 4 is a left side elevational view;

FIG. 5 is a right side elevational view;

FIG. 6 is a rear elevational view; and,

FIG. 7 is a perspective view thereof.

[56] References Cited

U.S. PATENT DOCUMENTS

D. 135,635	5/1943	Von Burg	D10/32
D. 170,179	8/1953	Wylar	D10/39
D. 178,770	9/1956	Doerwald	D10/39
D. 178,771	9/1956	Doerwald	D10/39
D. 251,055	2/1979	Sulek	D10/38

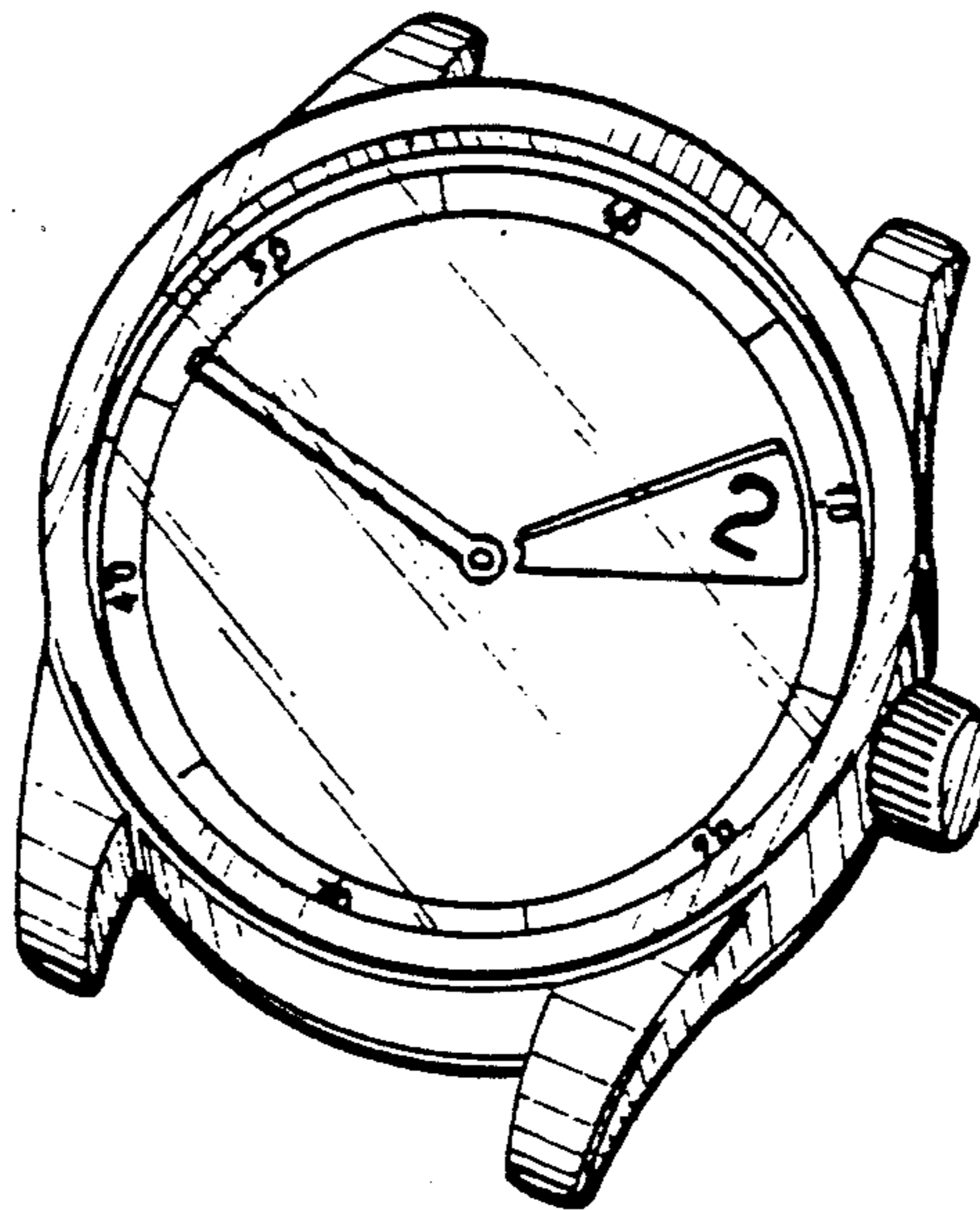


FIG. 2



FIG. 4

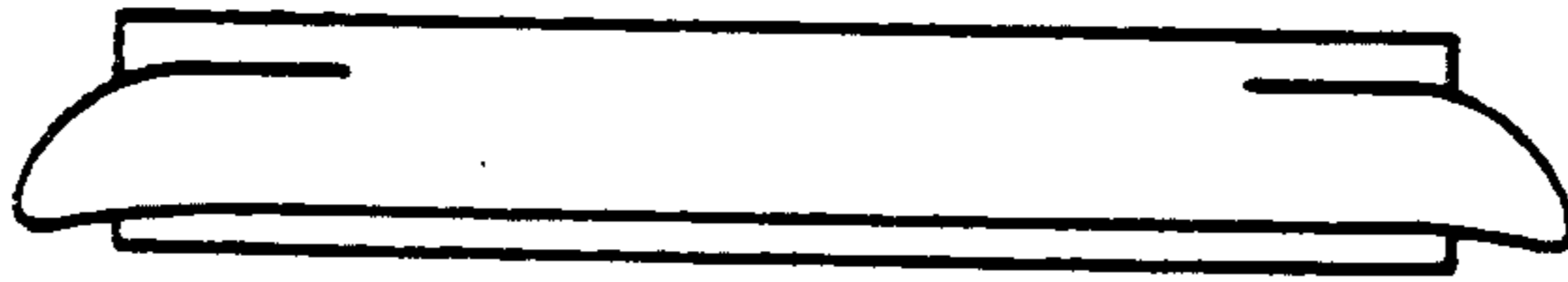


FIG. 1

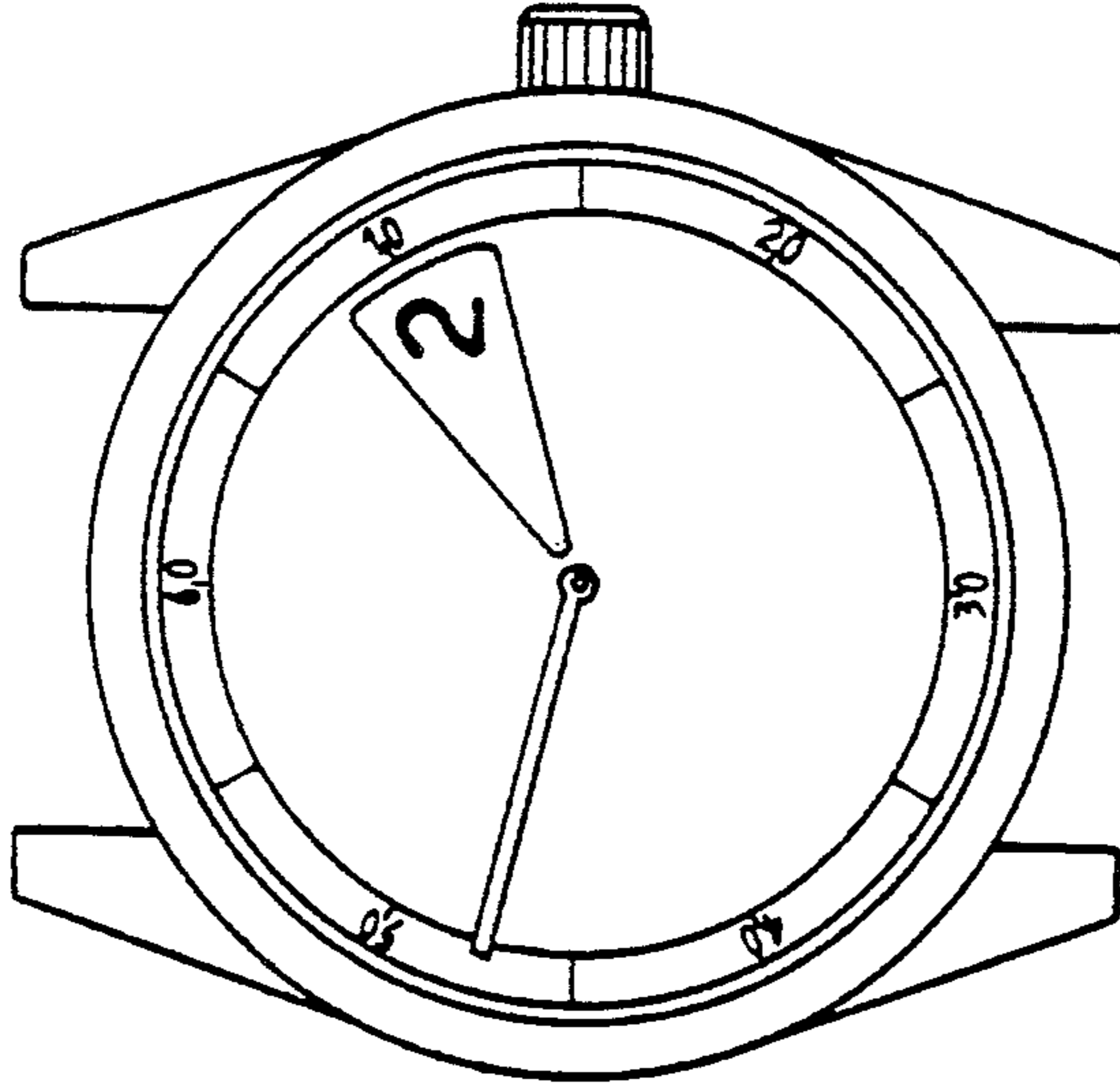


FIG. 5



FIG. 6

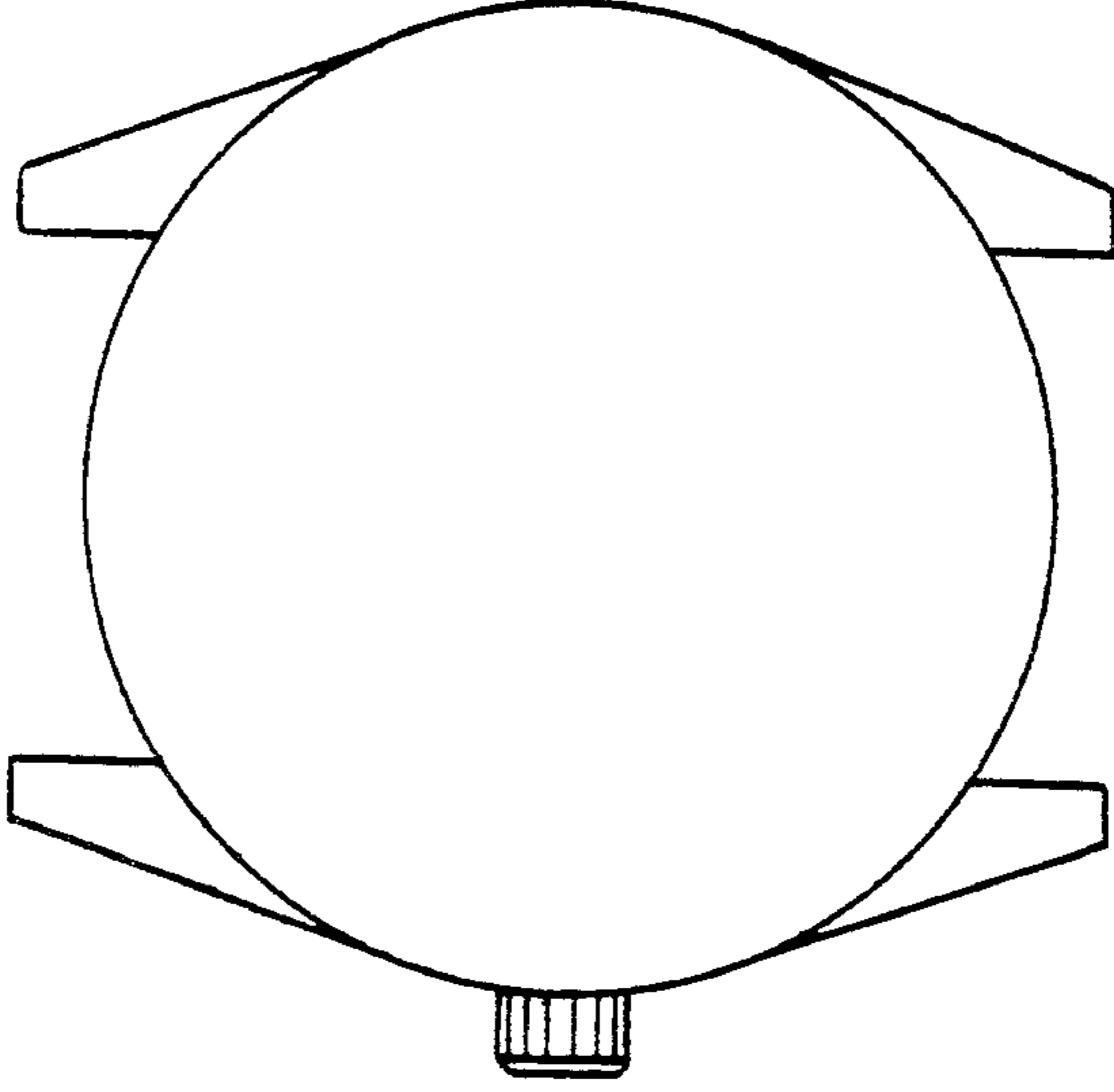


FIG. 3

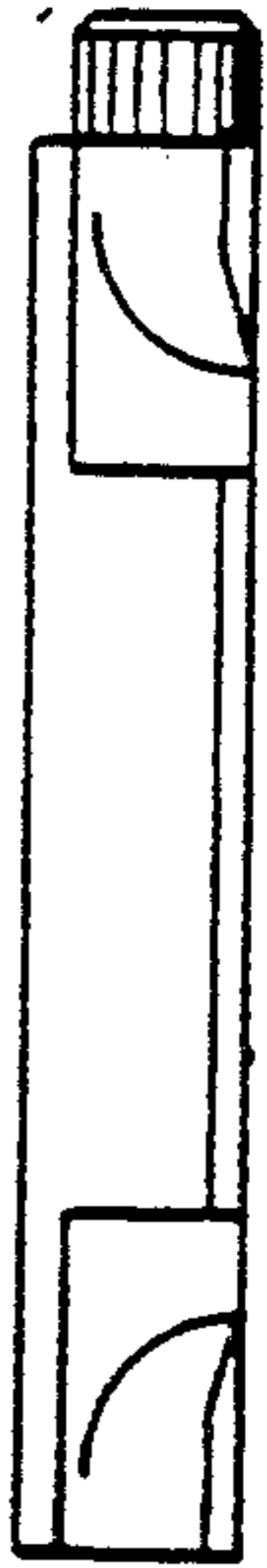


FIG. 7

