



US00D326414S

United States Patent [19]

[11] Patent Number: **Des. 326,414**

Africk

[45] Date of Patent: **** May 26, 1992**

[54] **COMBINED CLOCK AND CARD HOLDER**

D. 279,691 7/1985 Silver D20/20
D. 312,575 12/1990 Butler D10/2

[76] Inventor: **Sol Africk, 3723 Maple Leaf Dr.,
Glenview, Ill. 60025**

Primary Examiner—Nelson C. Holtje
Attorney, Agent, or Firm—Lockwood, Alex, FitzGibbon
& Cummings

[**] Term: **14 Years**

[21] Appl. No.: **538,925**

[57] **CLAIM**

The ornamental design for a combined clock and card holder, as shown and described.

[22] Filed: **Jun. 14, 1990**

[52] U.S. Cl. **D10/2; D10/26;
D10/6; D19/90**

DESCRIPTION

[58] **Field of Search** **D10/1-40,
D10/122-132; D19/86, 90-91; D20/10, 15,
18-20, 29, 39; 368/10, 11**

FIG. 1 is a front elevational view of a combined clock and card holder showing my new design;
FIG. 2 is a top plan view thereof;
FIG. 3 is a bottom plan view thereof;
FIG. 4 is a left side elevational view thereof;
FIG. 5 is a right side elevational view thereof;
FIG. 6 is a rear elevational view thereof;
FIG. 7 is a front perspective view thereof; and,
FIG. 8 is a rear perspective view thereof.

[56] **References Cited**

U.S. PATENT DOCUMENTS

- D. 78,577 5/1929 Kerr D20/39
- D. 102,515 12/1936 Van Bluem D10/2
- D. 112,430 12/1938 Bauers D20/39
- D. 182,682 4/1958 Nelson D20/20
- D. 216,338 12/1969 Snyder D10/2 X

The broken-line showings of **FIGS. 1** and **7** are environmental only and form no part of the claimed design.

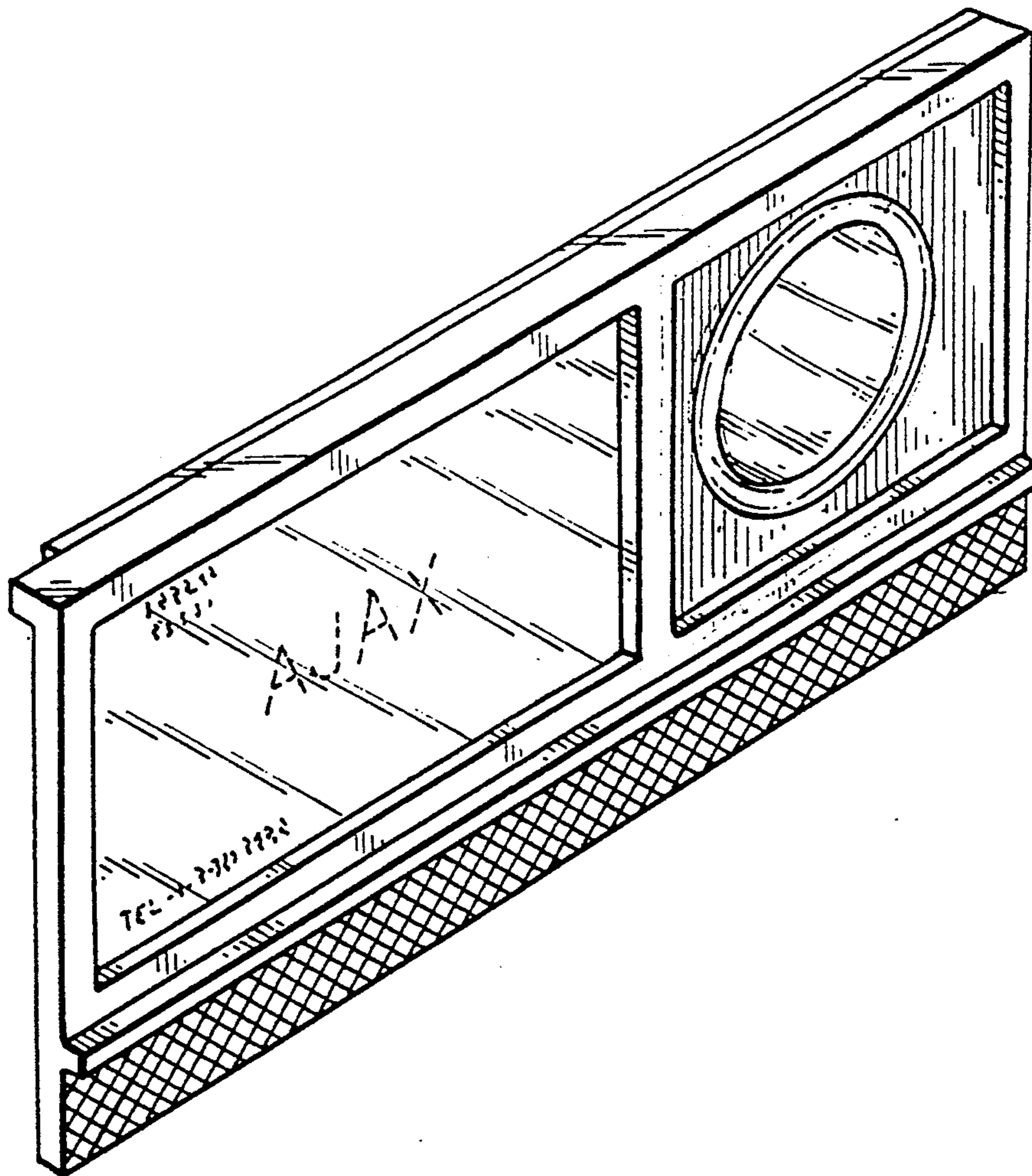


FIG. 1

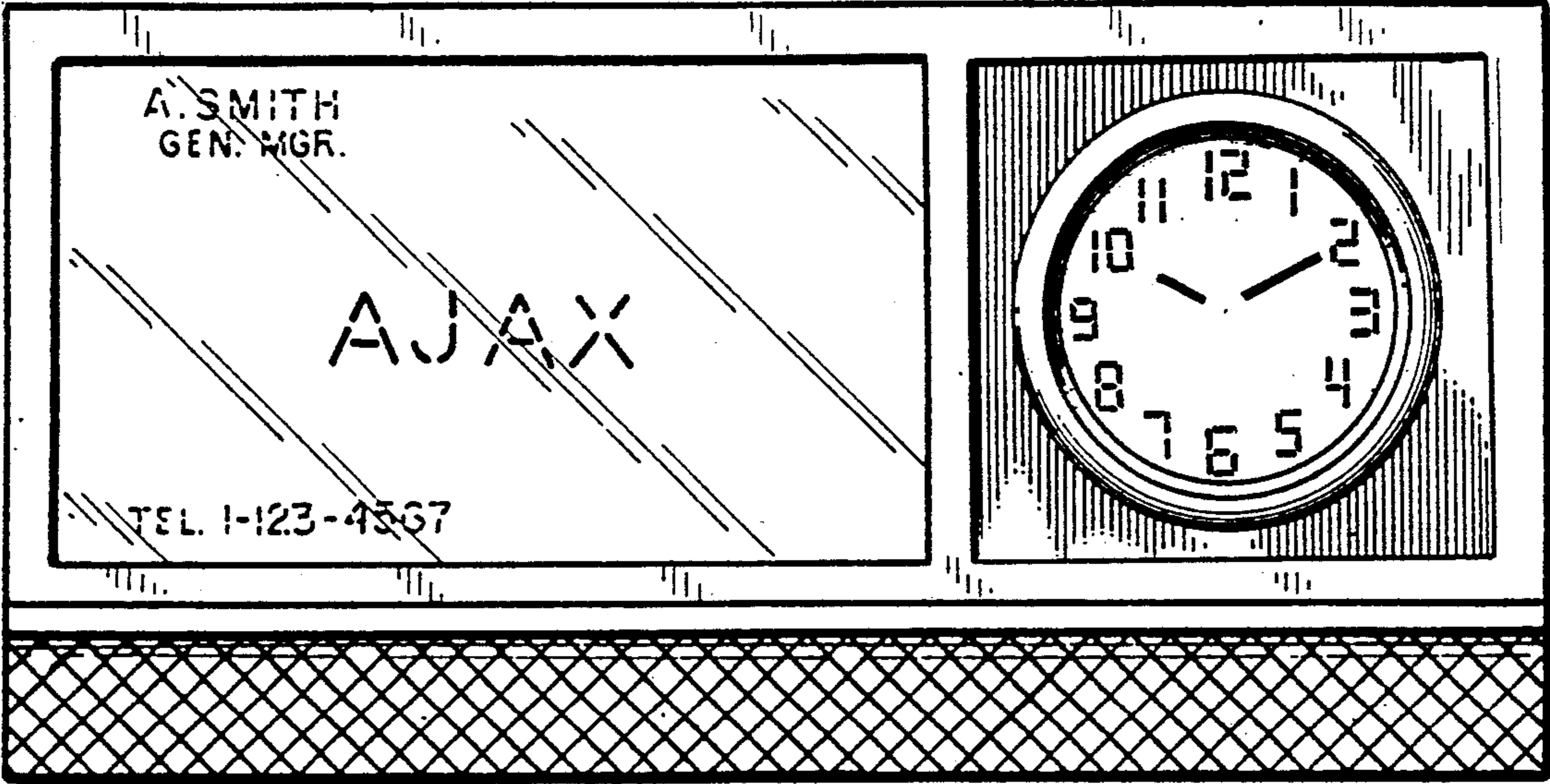


FIG. 2



FIG. 3

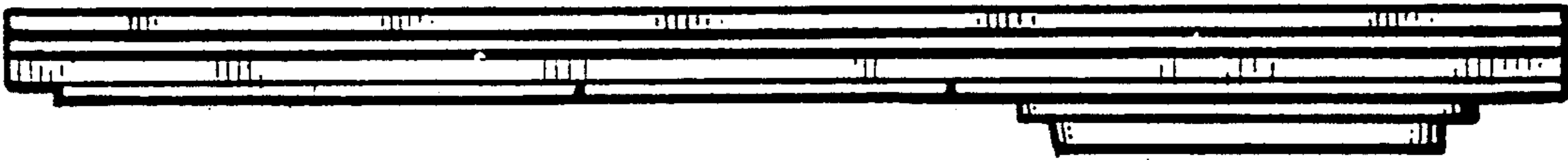


FIG. 4



FIG. 5



FIG. 6

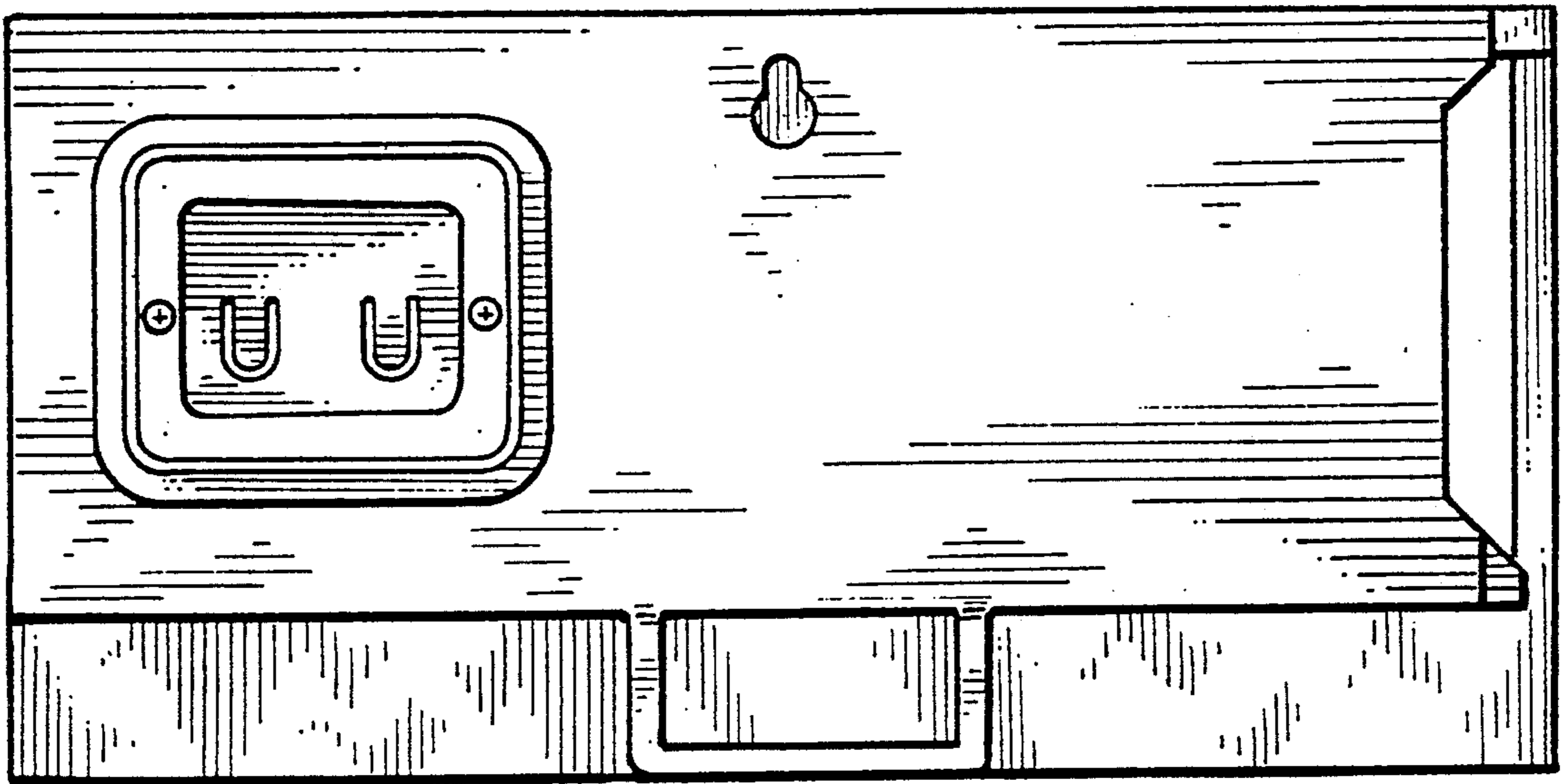
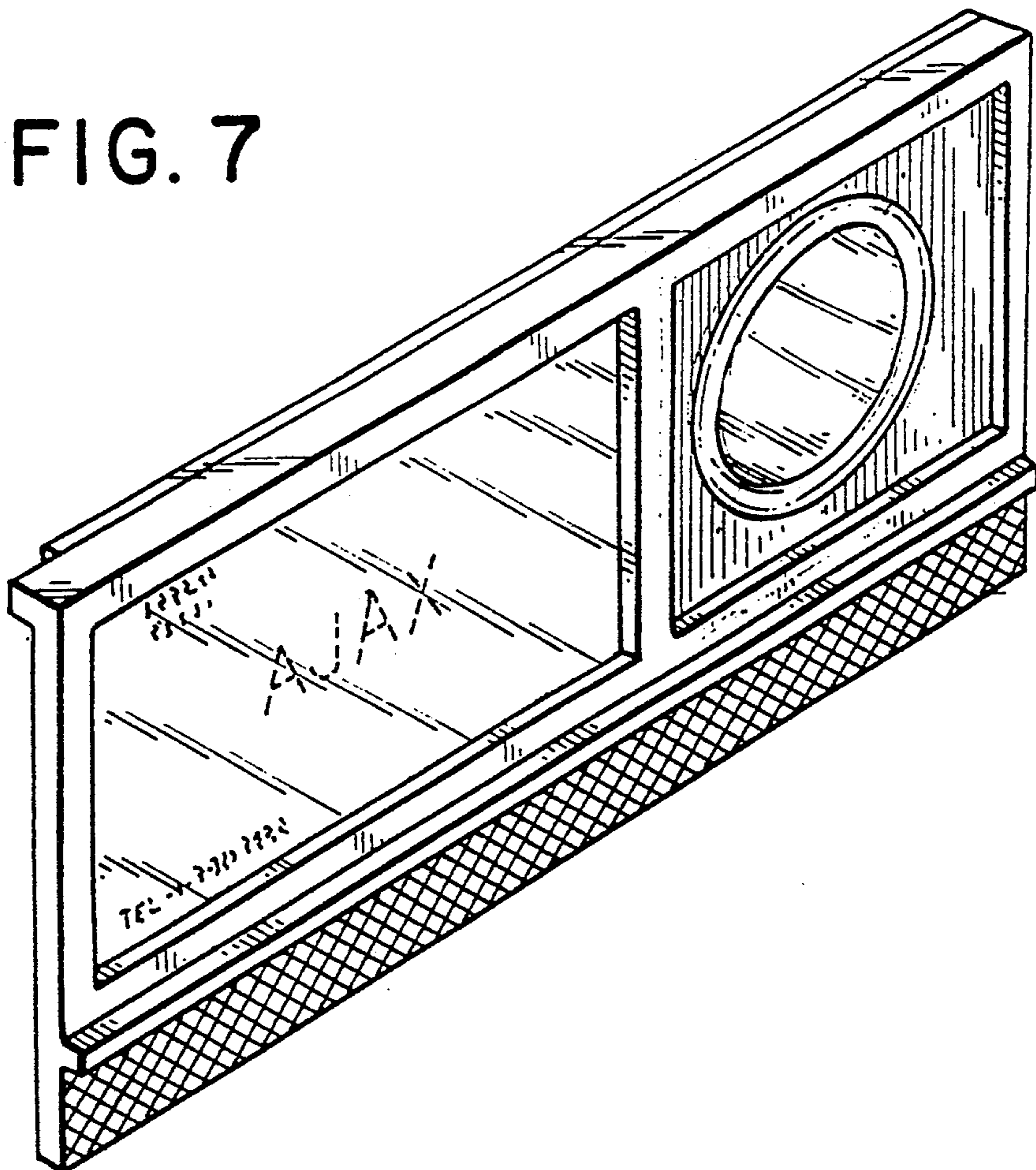


FIG. 7



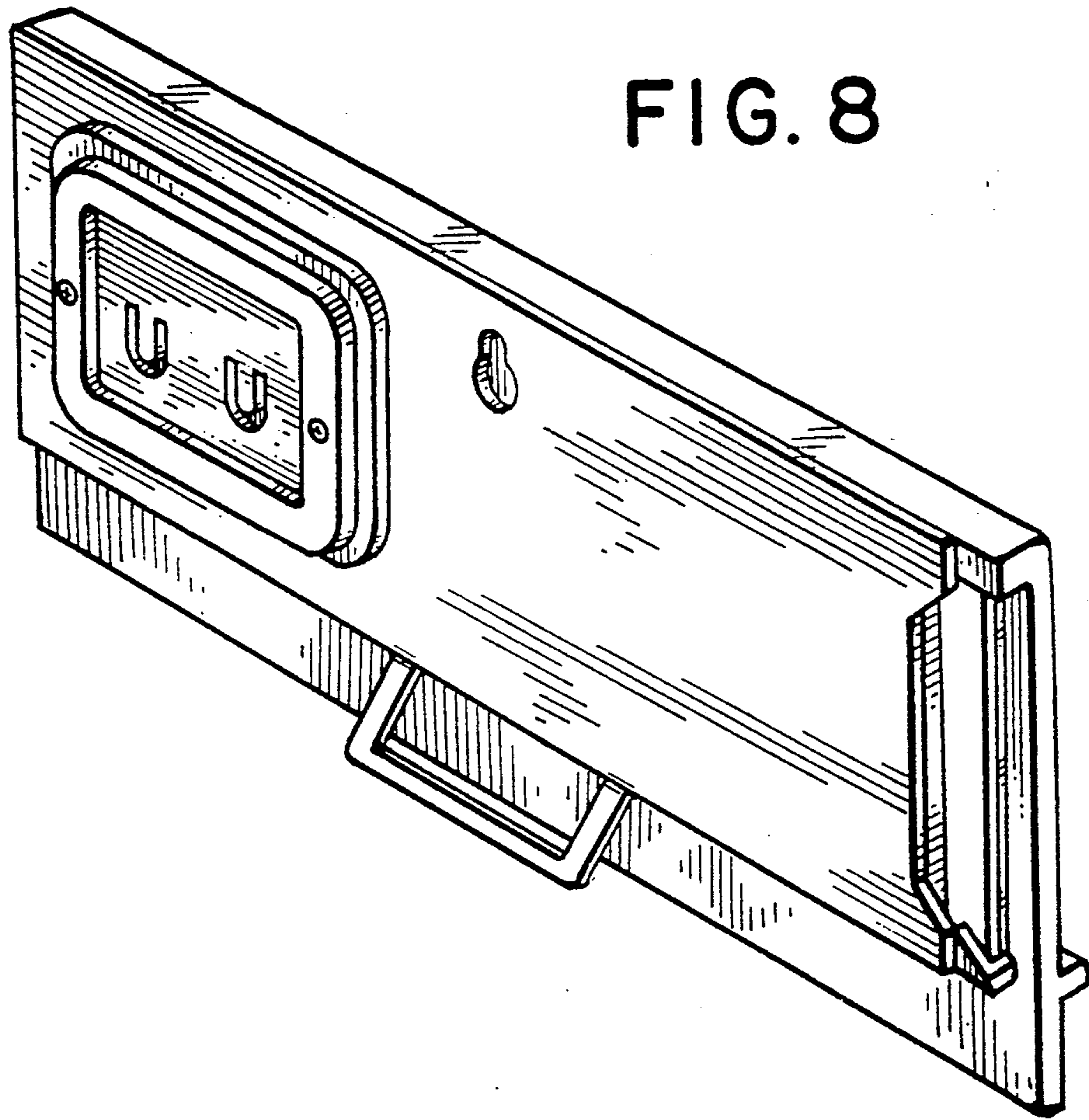


FIG. 8