



US00D326409S

United States Patent [19]

[11] Patent Number: Des. 326,409

Krueger et al.

[45] Date of Patent: ** May 26, 1992

[54] DISPLAY PACKAGE FOR FOOD PRODUCTS OR THE LIKE

[75] Inventors: Michael B. Krueger; Robert J. Howard, both of Madison; Jay A. Eason, Middleton, all of Wis.

[73] Assignee: Oscar Mayer Foods Corporation, Madison, Wis.

[**] Term: 14 Years

[21] Appl. No.: 398,724

[22] Filed: Aug. 25, 1989

[52] U.S. Cl. D9/341; D9/424

[58] Field of Search D9/341, 337, 345, 420, D9/423, 432; 206/45.19, 216, 349, 443, 557-564; 220/914

[56] **References Cited**

U.S. PATENT DOCUMENTS

D. 307,504	4/1990	Silcox	D9/347	X
D. 315,868	4/1991	Gelardi et al.	D9/387	X
2,846,806	8/1958	Gaines	206/564	X
3,554,429	1/1971	Cohen	206/561	X
3,923,152	12/1975	Minneman	206/443	X
4,986,414	1/1991	Ashley et al.	206/562	X

Primary Examiner—Bernard Ansher

Assistant Examiner—Prabhakar Deshmukh

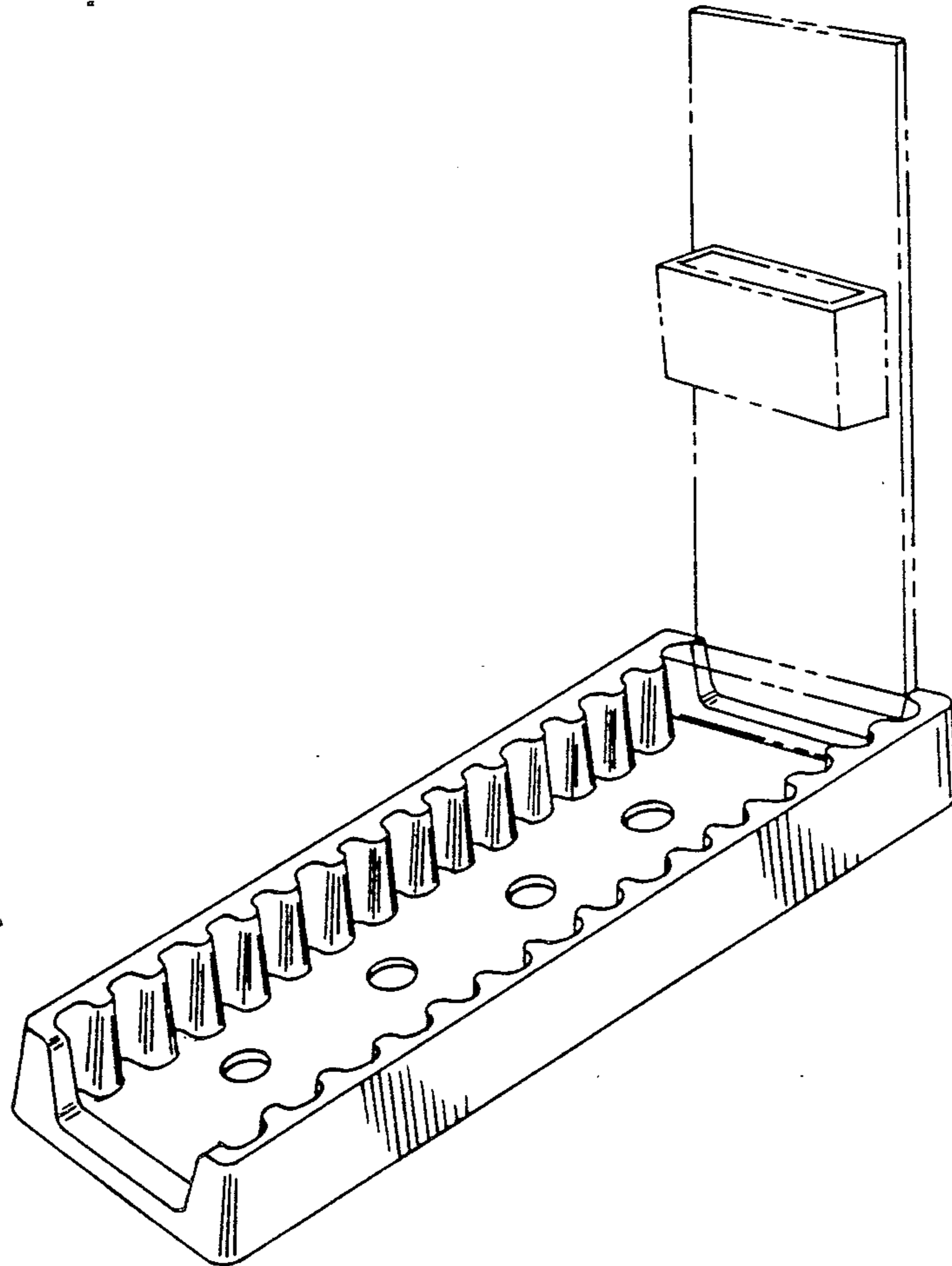
Attorney, Agent, or Firm—Lockwood, Alex, Fitzgibbon & Cummings

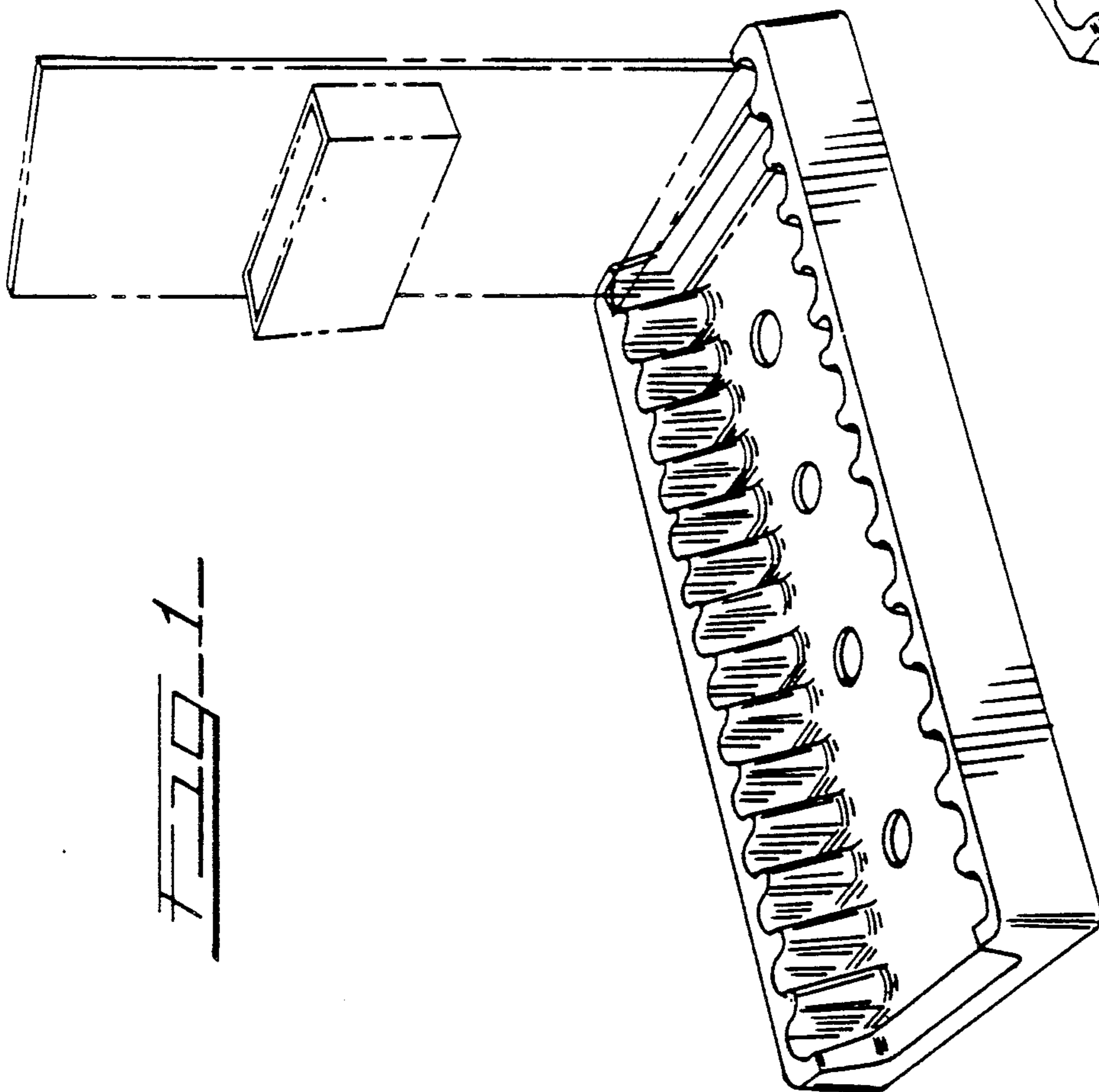
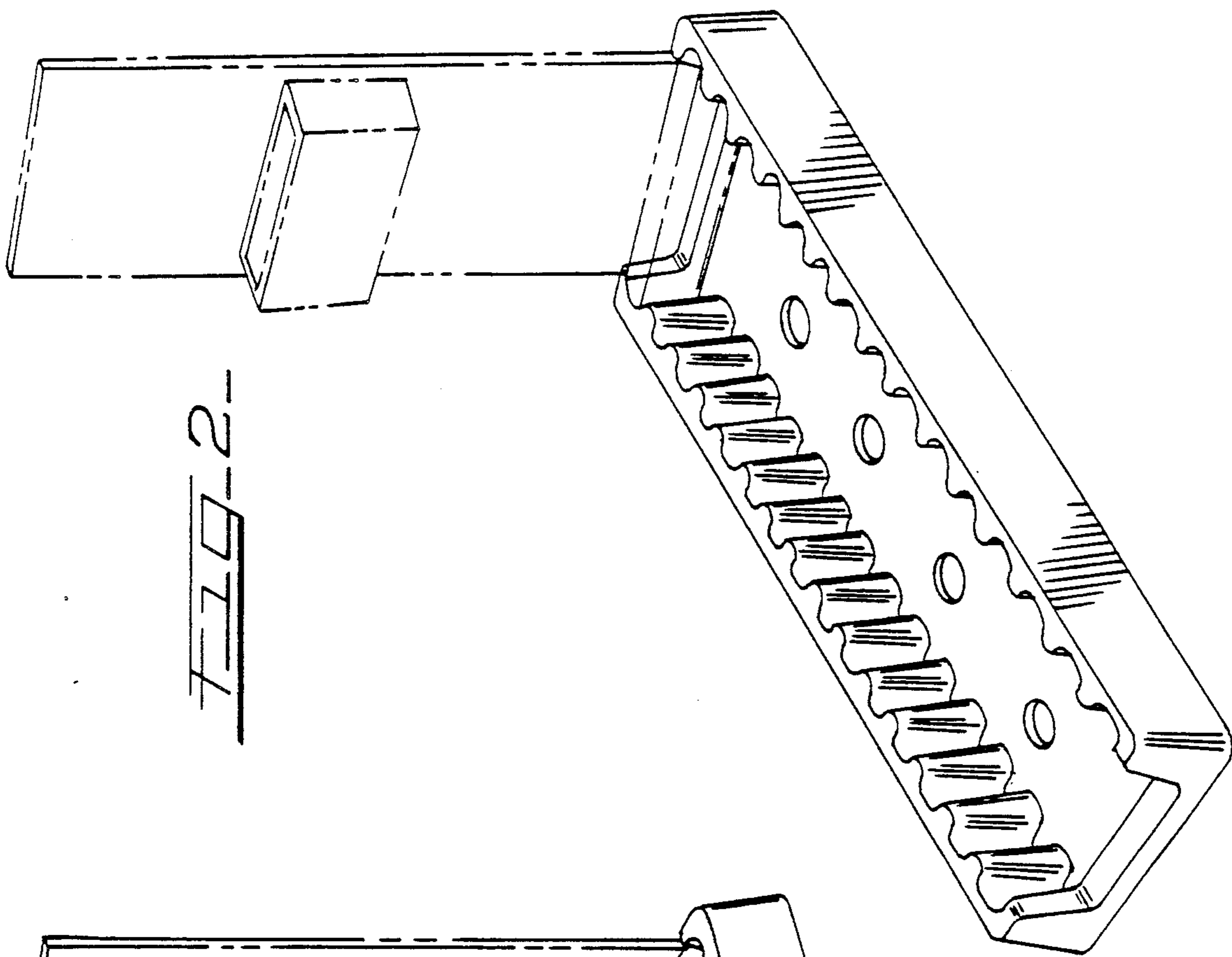
[57] **CLAIM**

The ornamental design for a display package for food products or the like, as shown and described.

DESCRIPTION

FIG. 1 is a perspective view of a display package for food products or the like showing our new design; FIG. 2 is a perspective view of a second embodiment of FIG. 1; FIG. 3 is a top plan view of FIG. 1; FIG. 4 is a front elevational of FIG. 1 and FIG. 2; the rear elevation being a mirror image thereof; FIG. 5 is a bottom plan view of FIG. 1; FIG. 6 is a right side elevation of FIG. 1 and FIG. 2; the left side elevation being a mirror image thereof; FIG. 7 is a top plan view of FIG. 2; and, FIG. 8 is a bottom plan view of FIG. 2. The broken line showing of a cover in FIG. 1 and FIG. 2 is of illustrative purposes only and forms no part of the claim.





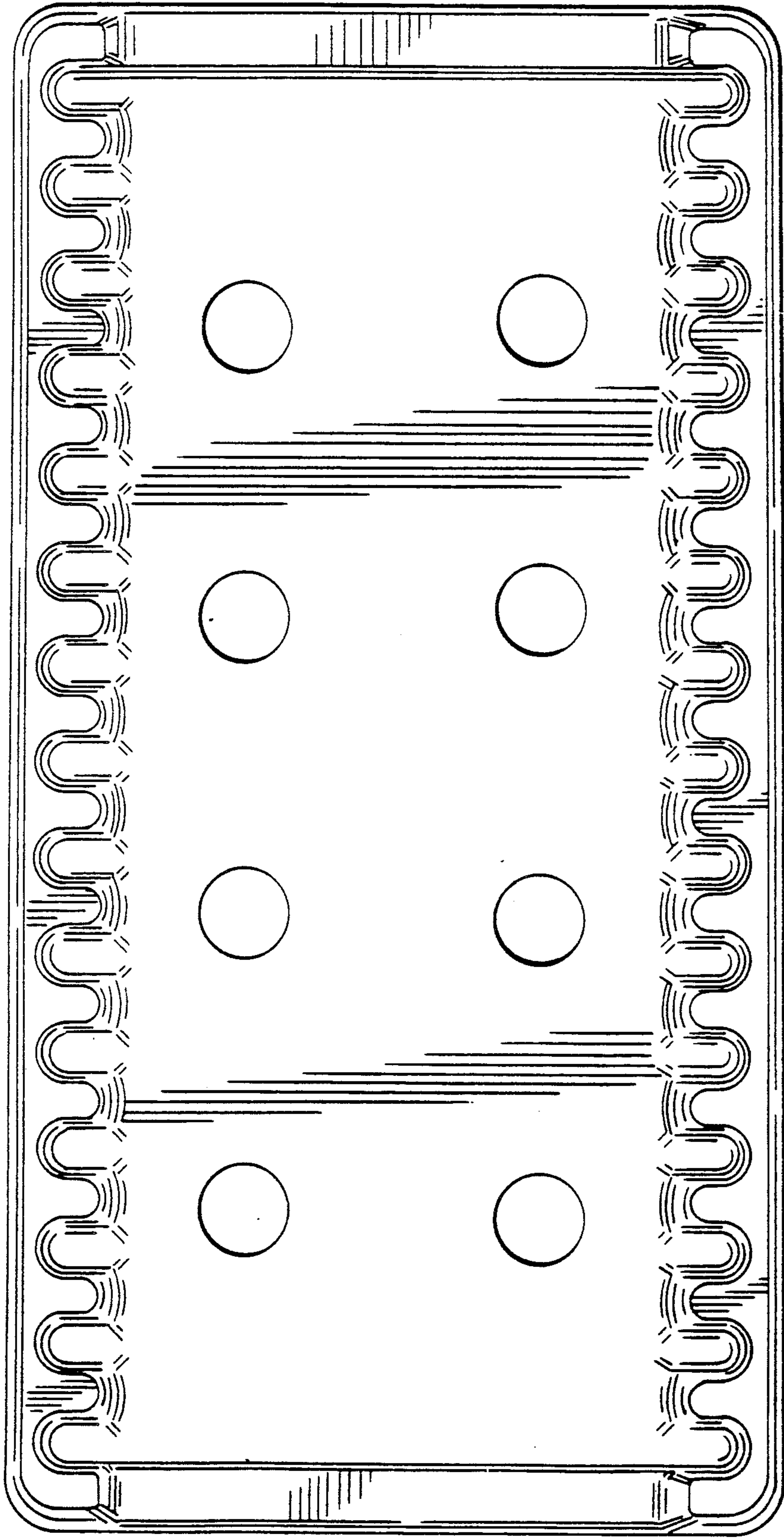


FIG. 3-

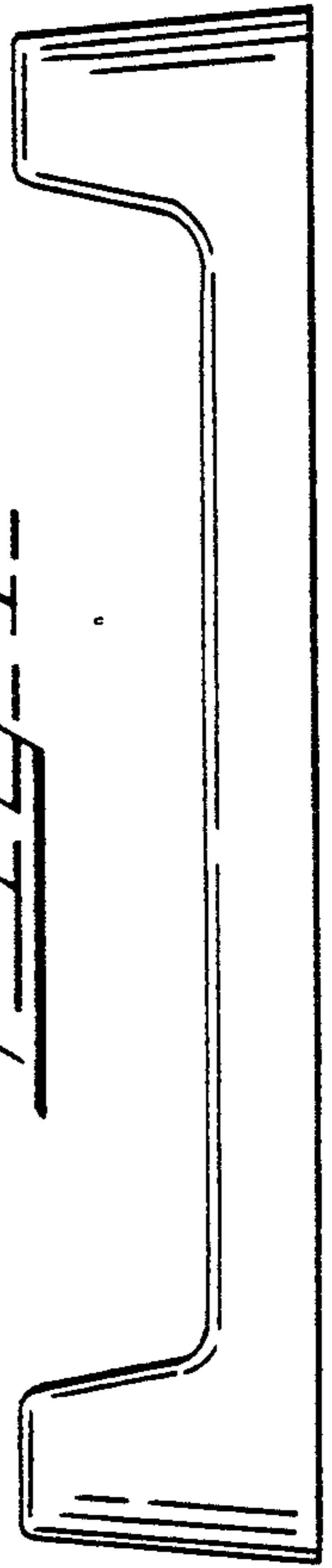
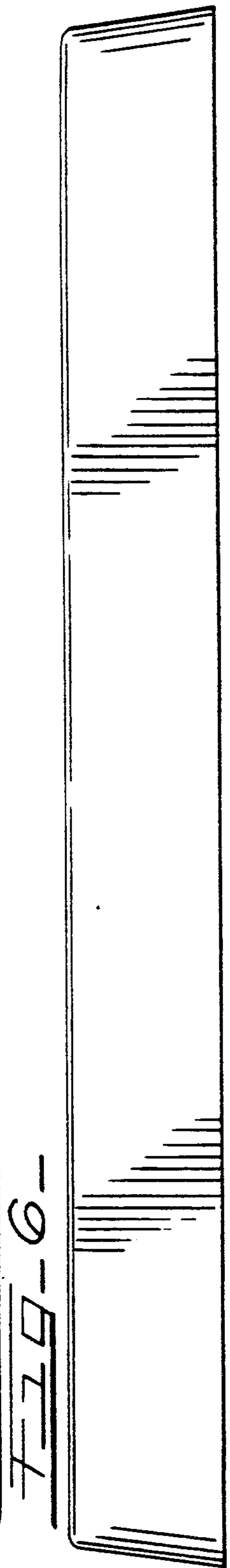
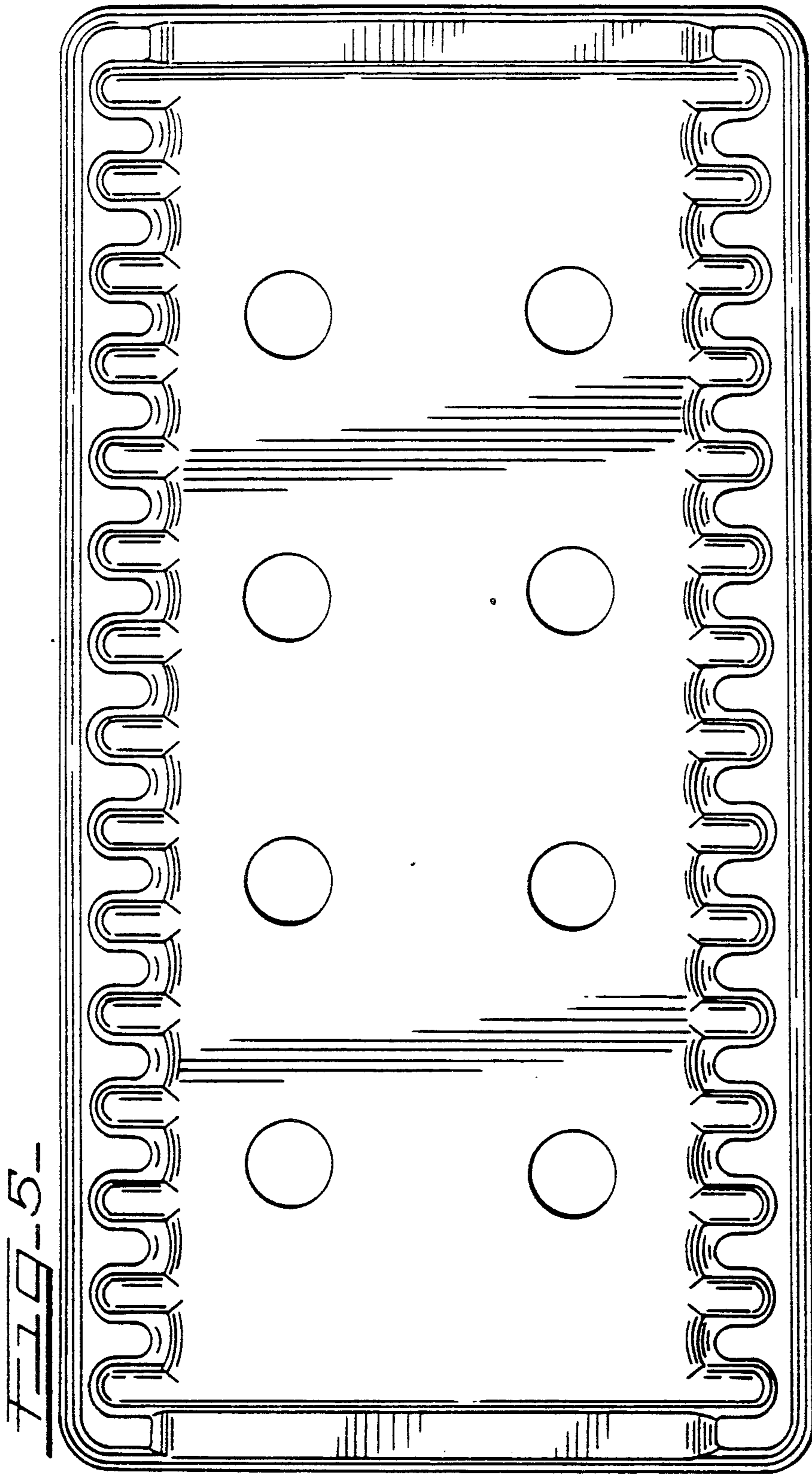
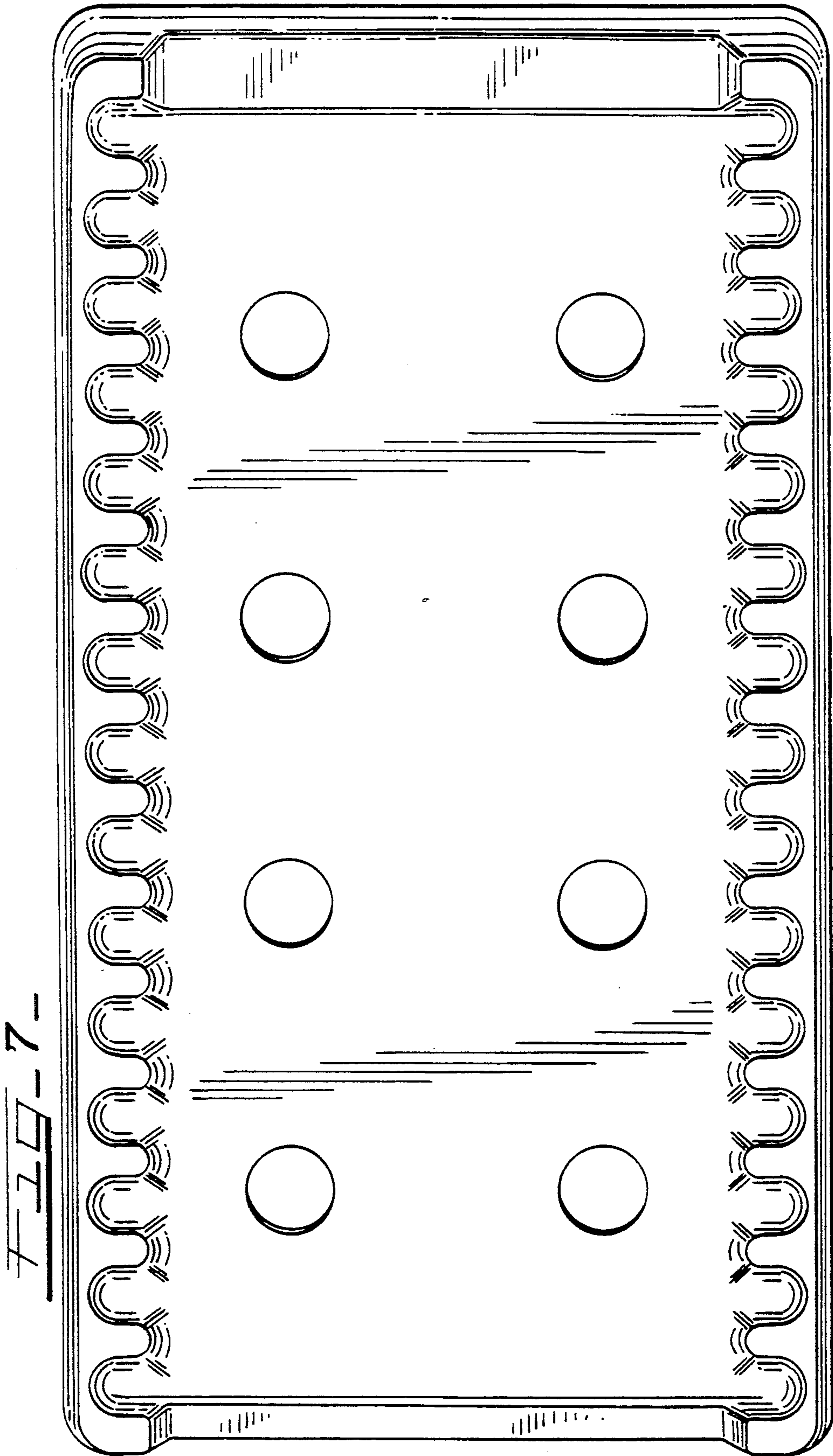


FIG. 4-





7-17-8-

