



US00D326408S

# United States Patent [19] Smith

[11] Patent Number: Des. 326,408  
[45] Date of Patent: \*\* May 26, 1992

[54] EXPANDABLE PLUG

[56] References Cited

[75] Inventor: Lindy Smith, Huntington Beach, Calif.

[73] Assignee: Aladdin Equipment Company, Inc., Huntington Beach, Calif.

[\*\*] Term: 14 Years

[21] Appl. No.: 421,003

[22] Filed: Oct. 13, 1989

### U.S. PATENT DOCUMENTS

D. 93,650	10/1934	Fleisch	.....	D9/453
D. 280,080	8/1985	Miskinis	.....	D9/440
869,700	10/1907	Fraser	.....	215/360
1,239,225	9/1917	Sampson	.....	215/360
1,464,646	8/1923	Cross	.....	215/360
2,424,930	7/1947	Jackson	.....	215/360
2,479,862	8/1949	Payne	.....	215/360
3,317,071	5/1967	Teeters	.....	215/360

### FOREIGN PATENT DOCUMENTS

0280428	1/1952	Switzerland	.....	215/360
---------	--------	-------------	-------	---------

Primary Examiner—B. J. Bullock  
Attorney, Agent, or Firm—Lyon & Lyon

### [57] CLAIM

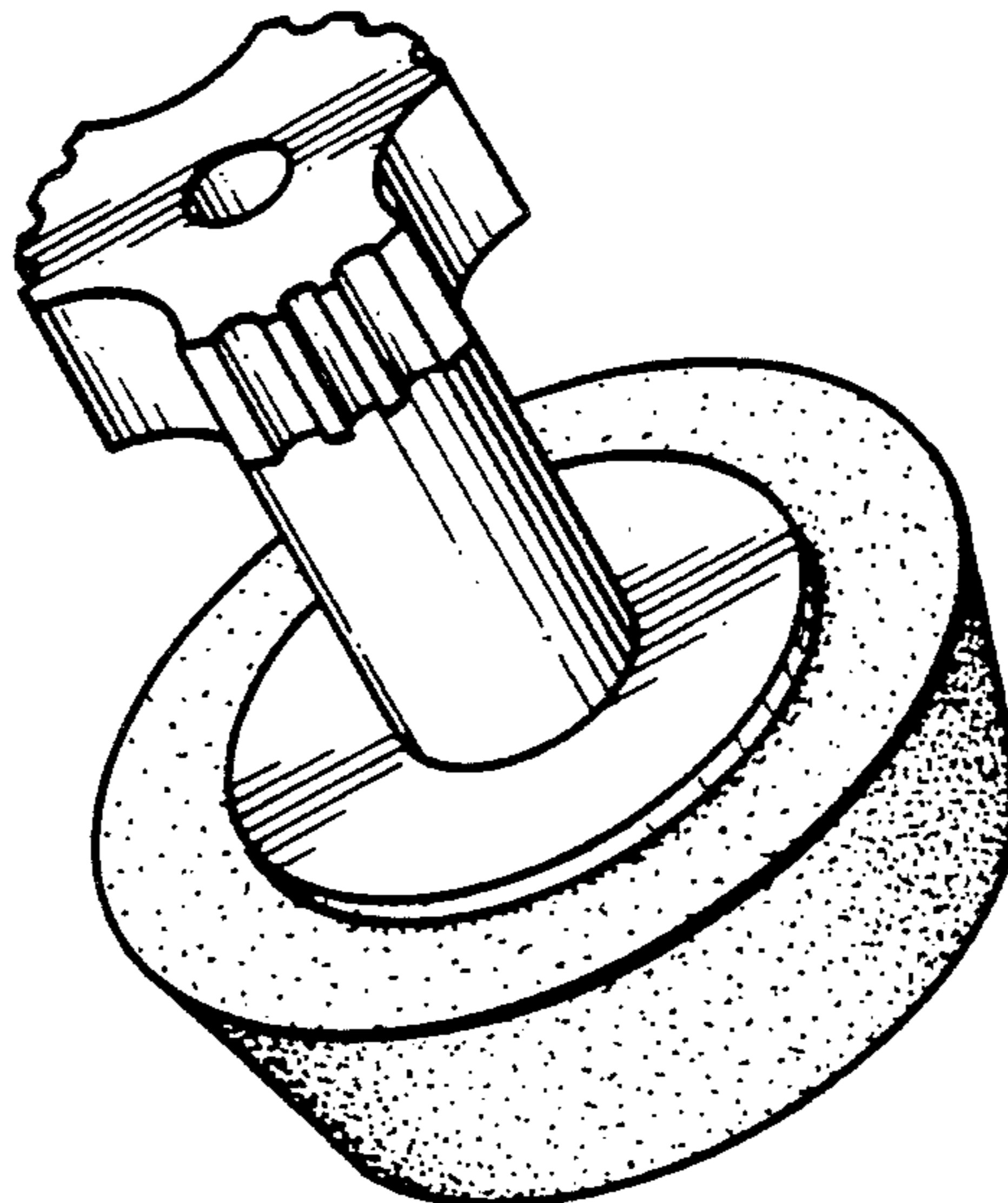
The ornamental design for an expandable plug, as shown and described.

### DESCRIPTION

FIG. 1 is a top perspective view of an expandable plug showing my new design;  
FIG. 2 is a transverse sectional view thereof;  
FIG. 3 is a reduced top perspective view thereof; and,  
FIG. 4 is a reduced bottom perspective view thereof.

### Related U.S. Application Data

[62] Division of Ser. No. 212,664, Jun. 28, 1988, abandoned.  
[52] U.S. Cl. .... D8/499; D9/439; D9/443; D9/453  
[58] Field of Search ..... D8/312, 499; D9/439, D9/443, 453; D23/260; 16/121; 215/358, 360, 361; 220/358, 352, 287, 233, 235



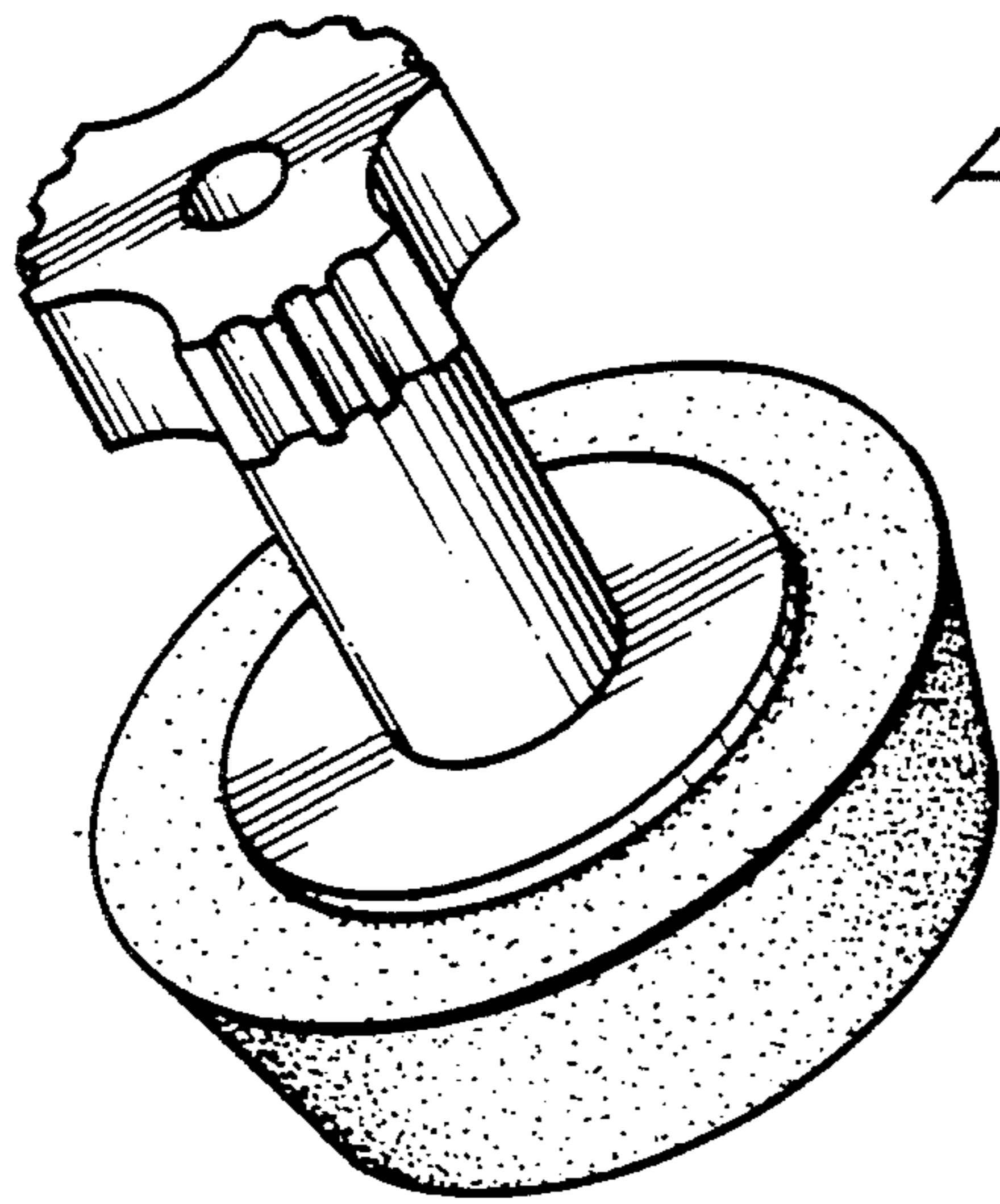


FIG. 1.

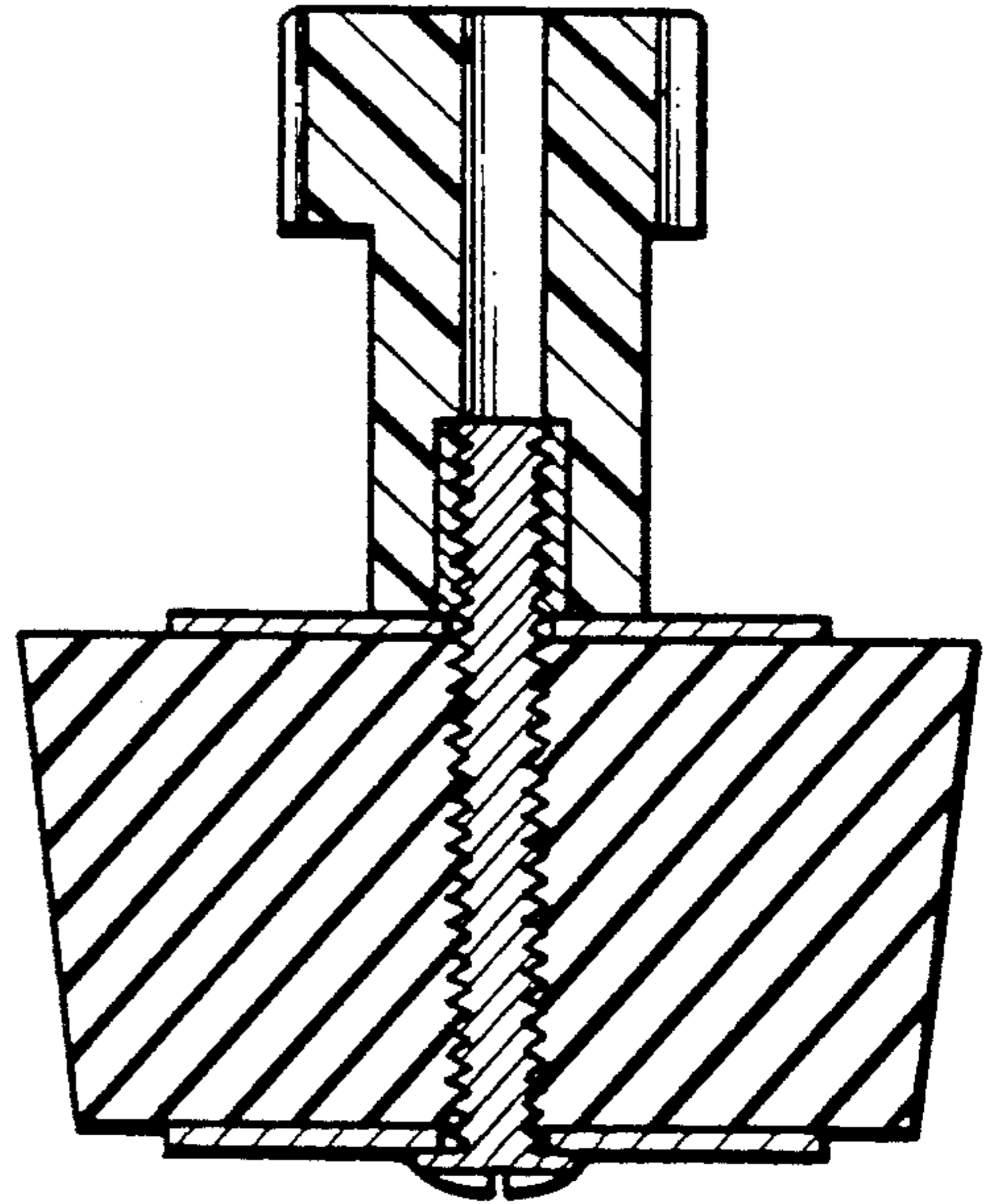


FIG. 2.

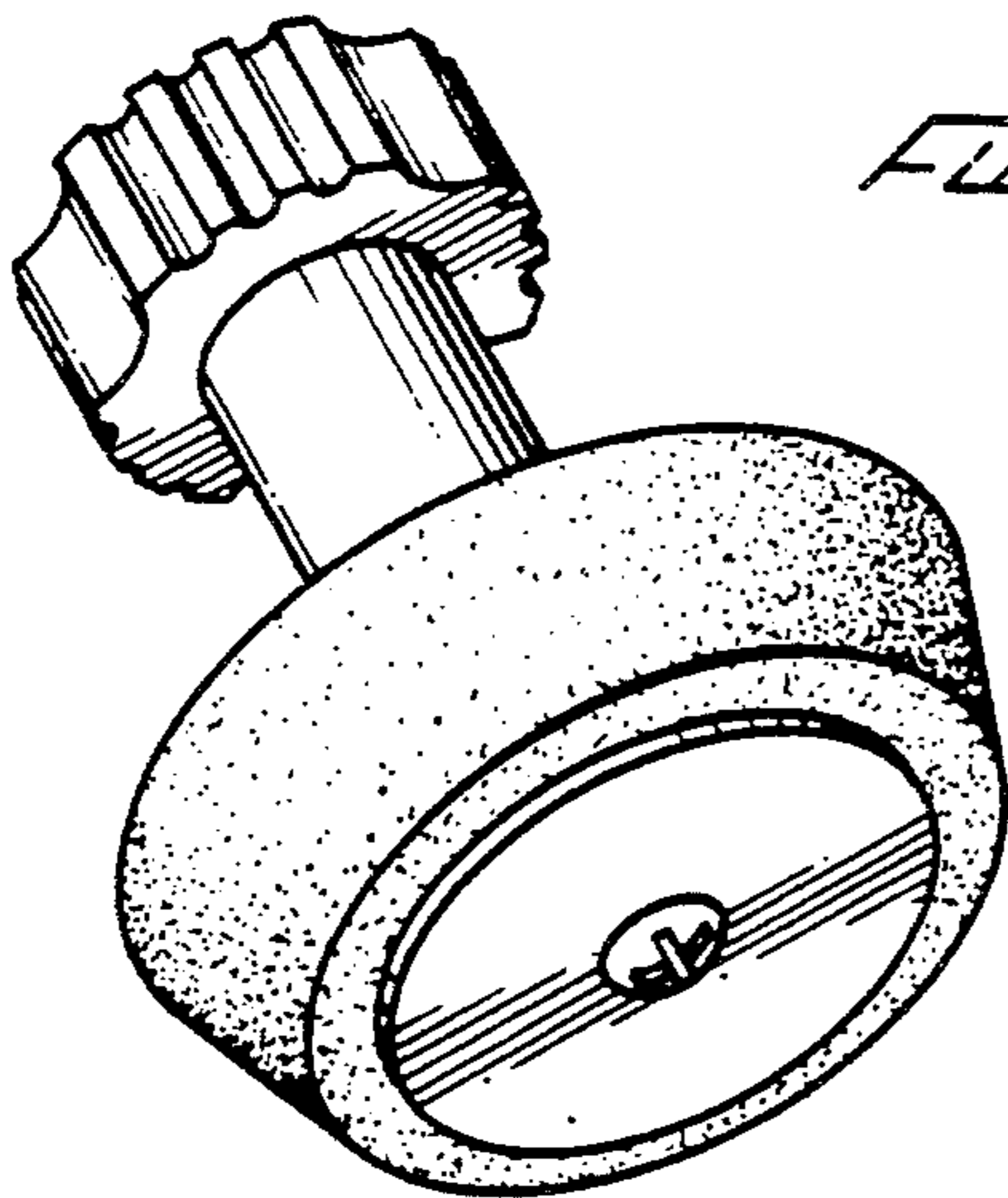


FIG. 4.

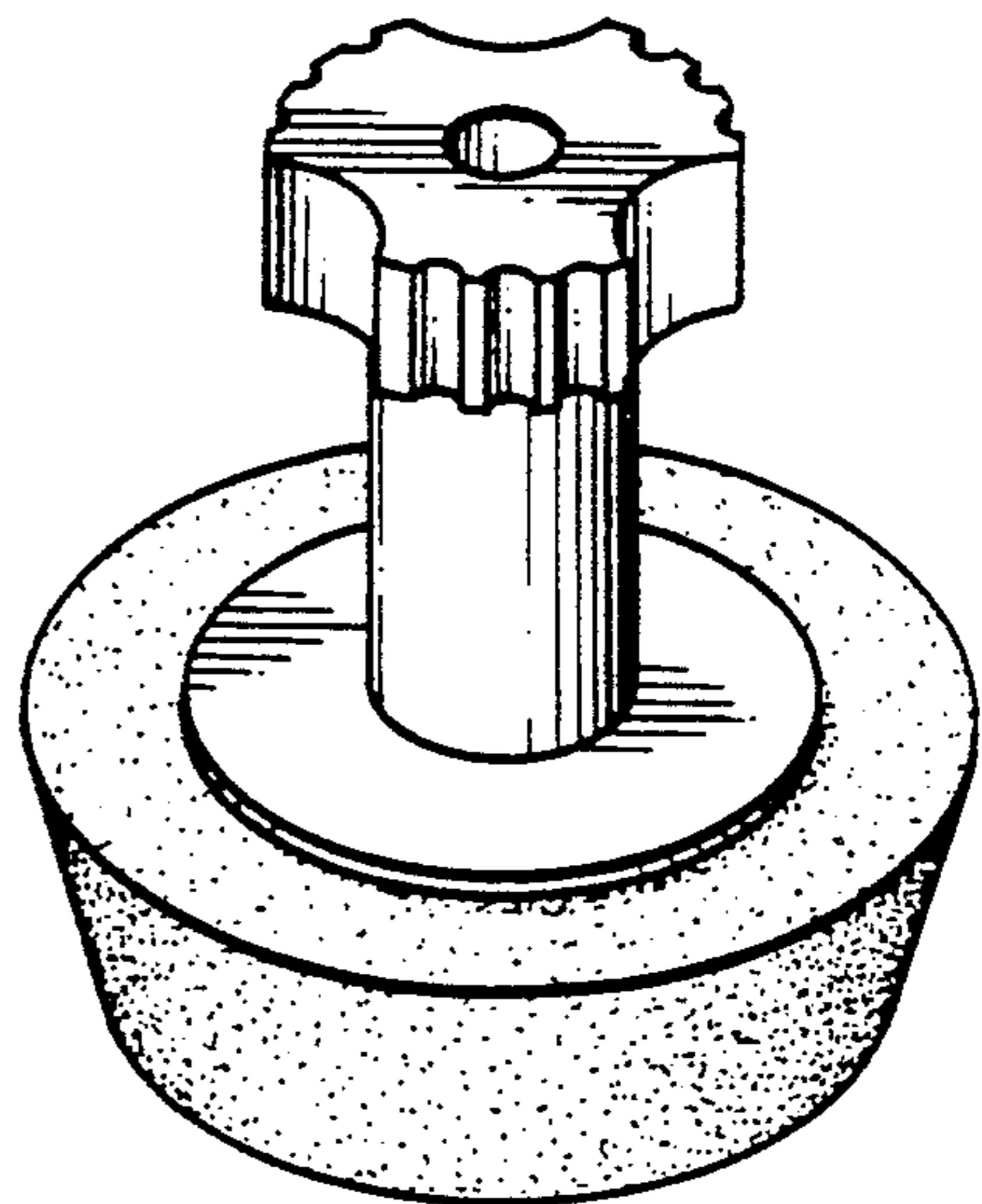


FIG. 3.